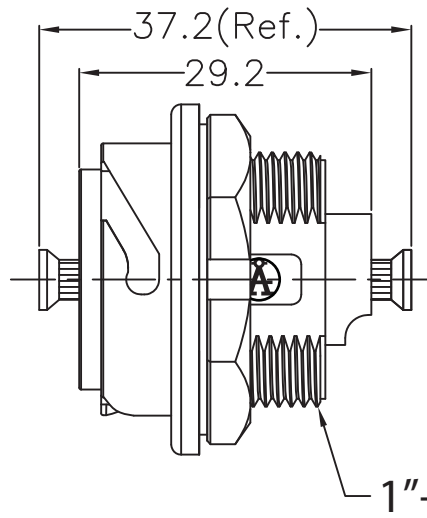
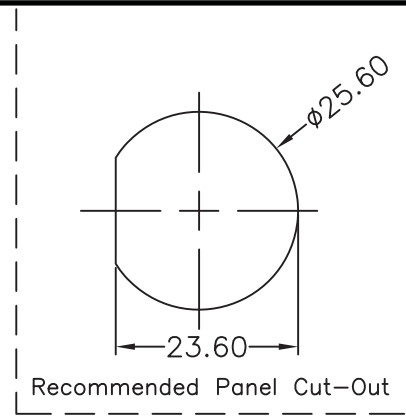
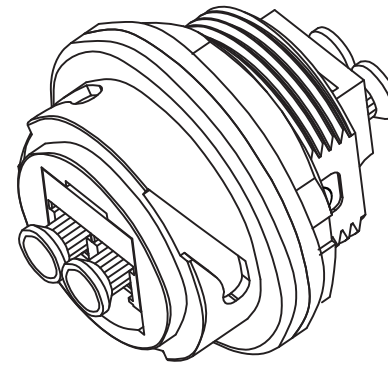


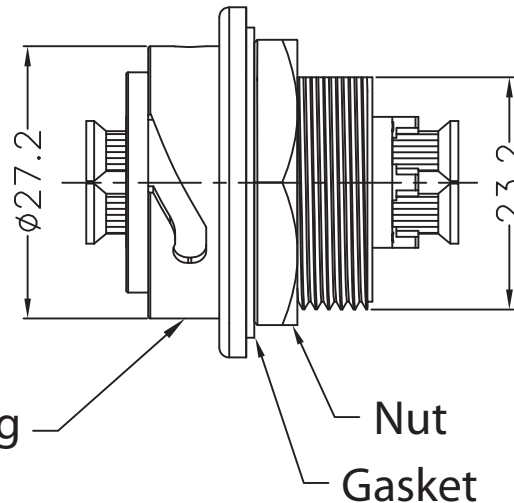
Fiber LC 2Pin Adapter



1"-20 UNEF



Recommended Panel Cut-Out



Housing

Nut

Gasket

Material:

- Waterproof Rate: IP67
- Nut: Nylon+GF UL94V-0, Black
- Housing: PPO UL94V-0, Black
- Fiber Adapter: LC 2P Adapter
- Gasket: Silicone UL94V-0, Gray
- For Panel Thickness Max 4.0MM
- Recommend Force: 8~10kg-cm

Unit: MM±0.25MM

Ⓜ = Assmann logo



ITEM NO.

A-FB-00RLFJ-LC7-1-R

TITLE

Waterproof Optical Fiber Connection - Panel Type,
2pin LC Adapter Connection

ASSMANN
Electronics, Inc.

1840 W. Drake Drive, Suite 101 • Tempe, AZ 85283
Toll Free: 1-877-277-6266 • Email: info@usa-assmann.com

THIS DRAWING IS UNPUBLISHED
©Copyright 2010 by Assmann Electronic Components
All International Rights Reserved