

PLEASE CHECK WWW.MOLEX.COM FOR LATEST PART INFORMATION

Part Number: [0532531280](#)
Status: **Active**
Overview: [microlatch](#)
Description: 2.00mm (.079") Pitch Micro-Latch™ Wire-to-Board Header, Vertical, Square Pin, Three-sided Shroud, Lead-free, 12 Circuits, PC Tail Length 2.30mm (.091")

Documents:

[3D Model](#) [Product Specification PS-51065-016 \(PDF\)](#)
[Drawing \(PDF\)](#) [RoHS Certificate of Compliance \(PDF\)](#)

Agency Certification

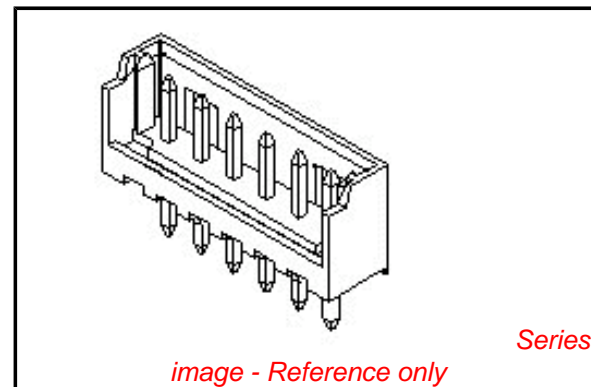
CSA LR19980
 UL E29179

General

Product Family PCB Headers
 Series [53253](#)
 Application Wire-to-Board
 Overview [microlatch](#)
 Product Name Micro-Latch™

Physical

Breakaway No
 Circuits (Loaded) 12
 Durability (mating cycles max) 30
 First Mate / Last Break No
 Flammability 94V-0
 Glow-Wire Compliant No
 Lock to Mating Part Yes
 Mated Height (in) 0.287 In
 Mated Height (mm) 7.30 mm
 Material - Metal Brass
 Material - Plating Mating Tin
 Material - Plating Termination Tin
 Material - Resin Nylon
 Number of Rows 1
 Orientation Vertical
 PC Tail Length (in) 0.091 In
 PC Tail Length (mm) 2.30 mm
 PCB Locator No
 PCB Retention Yes
 PCB Thickness Recommended (in) 0.040 In
 PCB Thickness Recommended (mm) 1.00 mm
 Packaging Type Tray
 Pitch - Mating Interface (in) 0.079 In
 Pitch - Mating Interface (mm) 2.00 mm
 Plating min: Mating (µin) 40
 Plating min: Mating (µm) 1.00
 Plating min: Termination (µin) 40
 Plating min: Termination (µm) 1.00
 Polarized to Mating Part Yes
 Polarized to PCB No
 Shrouded Partial
 Stackable No
 Surface Mount Compatible (SMC) No
 Temperature Range - Operating -40°C to +105°C



EU RoHS

ELV and RoHS Compliant
REACH SVHC Contains SVHC: No
Halogen-Free Status
Not Reviewed

China RoHS



Need more information on product environmental compliance?

Email productcompliance@molex.com
 For a multiple part number RoHS Certificate of Compliance, [click here](#)

Please visit the [Contact Us](#) section for any non-product compliance questions.

Search Parts in this Series

[53253Series](#)

Mates With

[51065 Crimp Housing](#). [50212 Crimp Terminal](#)

Termination Interface: Style

Through Hole

Electrical

Current - Maximum per Contact

2A

Voltage - Maximum

125V

Material Info

Reference - Drawing Numbers

Product Specification

PS-51065-016, RPS-51065-026, RPS-51065-030

Sales Drawing

SD-51065-006, SD-53253-003

This document was generated on 05/25/2010

PLEASE CHECK WWW.MOLEX.COM FOR LATEST PART INFORMATION

10 9 8 7 6 5 4 3 2 1

F

E

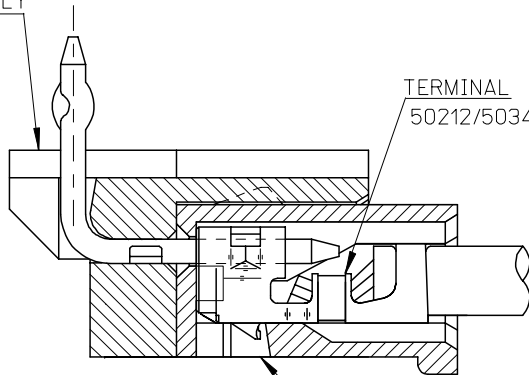
D

C

B

A

HEADER HOUSING ASSEMBLY
53254SERIES

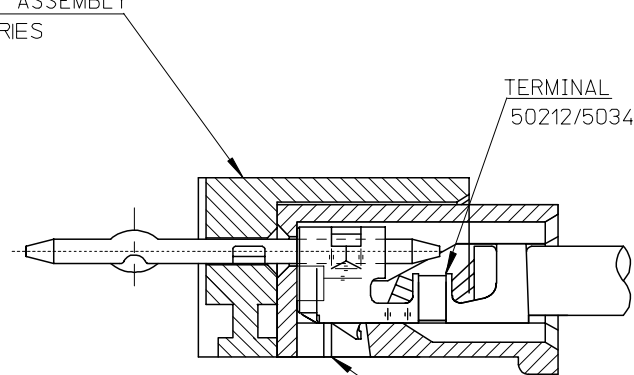


TERMINAL
50212/50346 SERIES

RECEPTACLE HOUSING
51065 SERIES

51065シリーズ/53254シリーズ 嵌合状態図 参考
51065 SERIES/53254 SERIES MATED DRAWING (REF.)

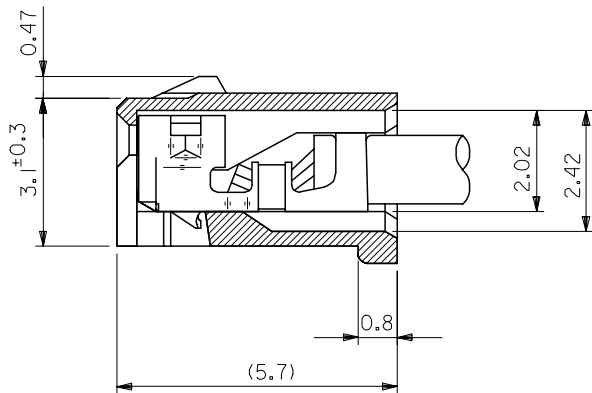
HEADER HOUSING ASSEMBLY
53253SERIES



TERMINAL
50212/50346 SERIES

RECEPTACLE HOUSING
51065 SERIES

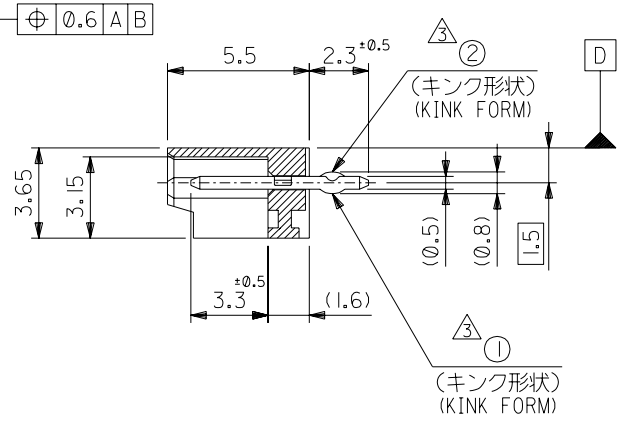
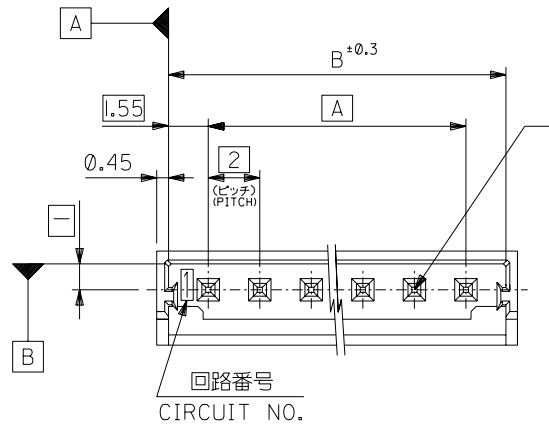
51065シリーズ/53253シリーズ 嵌合状態図 参考
51065 SERIES/53253 SERIES MATED DRAWING (REF.)



ターミナル装着状態図
TERMINAL ASS'Y DWG.

RELEASED EC NO: J2008-2041 DRWN: AOYAGI 2007/11/21 CHKD: THARUYAMA 2007/11/22 APPR: NUKITA 2007/11/22	GENERAL TOLERANCES (UNLESS SPECIFIED)		DIMENSION STYLE MM ONLY	SCALE 10:1	DESIGN UNITS METRIC	THIRD ANGLE PROJECTION
	10 UNDER	±0.2	DRAWN BY Y. AOYAGI	DATE 2007/11/13	TITLE NEW 2.0 W/B CONN. 51065/53253OR51065/53254	
	10 OVER 30 UNDER	±0.25	CHECKED BY N. UKITA	DATE 2007/11/13	MOLEX INCORPORATED	
	30 OVER	±0.3	APPROVED BY N. UKITA	DATE 2007/11/13		
	ANGULAR	±1 °	MATERIAL NO.		DOCUMENT NO. SD-51065-006	SHEET NO. 1 OF 1
DRAFT WHERE APPLICABLE MUST REMAIN WITHIN DIMENSIONS		SEE TABLE		THIS DRAWING CONTAINS INFORMATION THAT IS PROPRIETARY TO MOLEX INCORPORATED AND SHOULD NOT BE USED WITHOUT WRITTEN PERMISSION		

DWG. NO.
SD-53253-003

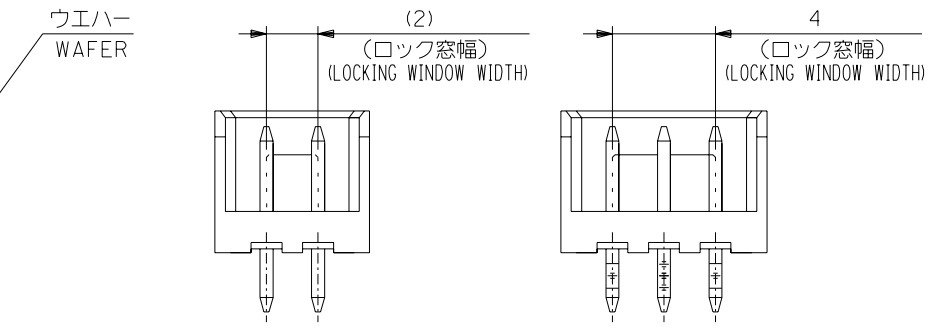
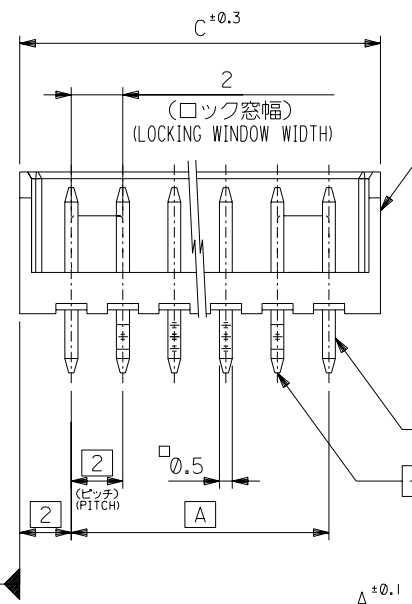


注記 NOTES

1. 嵌合相手：51065 シリーズ
MATE WITH : 51065 SERIES
2. 材質
MATERIAL
ウエハー：66ナイロン、UL94V-0
WAFER : 66NYLON , UL94V-0
ピン：黄銅、スズメッキ
PIN : BRASS, TIN
3. キックは下記表の位置及び形状に付加のこと。2極はキック無し。
KINK TO BE APPLIED AS FOLLOWS, 2 CIRCUIT HAS NO KINK.

極数 CKT	回路番号 CKT NO.	回路番号							
		1	2	3	4	5	N-2	N-1	N
6 極以上	MORE THAN 6 CKT	—	①	②	—	—	②	①	—
5 極	5 CKT	①	②	—	②	①			
4 極	4 CKT	①	②	②	①				
3 極	3 CKT	①	②	①					

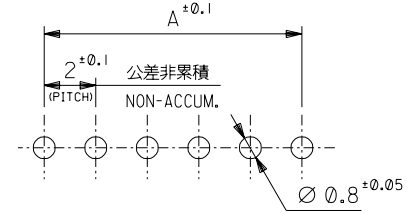
4. 本製品は 53253-***20 の鉛フリー品である。
THIS PRODUCT IS LEAD FREE OF 53253-***20.



2極の場合
IN CASE OF 2 CIRCUIT WAFER

3極の場合
IN CASE OF 3 CIRCUIT WAFER

32	31.1	28	53253-1580	15
30	29.1	26	-1480	14
28	27.1	24	-1380	13
26	25.1	22	-1280	12
24	23.1	20	-1180	11
22	21.1	18	-1080	10
20	19.1	16	-0980	9
18	17.1	14	-0880	8
16	15.1	12	-0780	7
14	13.1	10	-0680	6
12	11.1	8	-0580	5
10	9.1	6	-0480	4
8	7.1	4	-0380	3
6	5.1	2	53253-0280	2



基板取付穴寸法 (参考) (t=1.0)
RECOMMENDED P.C. BOARD HOLE DIM. (REFERENCE)

角度 ANGLE	公差 非累積 NON-ACCUM.	記号 LTR	変更内容 REVISION RECORD	DR. CHK.	日付 DATE	材料 MATERIAL	注記参照 SEE NOTES	材料 MATERIAL
30°以上 OVER	±3°	0	新規作成 (J2004-4687)	M.S.	04/06/11	仕上げ FINISH	—	MATERIAL
10°以上 OVER	±0.3					適用電線範囲 WIRE RANGE	—	モレックス MOLEX
10°未満 UNDER	±0.25					被覆外径 INS. RANGE	—	MOLEX-JAPAN CO.,LTD. 日本モレックス株式会社
一般公差 GENERAL TOLERANCES	±0.2					DRAWN BY '04/06/11 M.NABEI	CHK'D BY '04/06/11 K.TOJO	REVISE ONLY ON CAD SYSTEM
						APP'D BY '04/06/11 M.SASAO	尺度 SCALE 5 : 1	TITLE 名称 NEW 2.0 WIRE TO BOARD CONN. WAFER ASS'Y (ST.) -LEAD FREE-

DIMENSIONS IN METRIC DO NOT SCALE DRAWING

SD-53253-003.S01