

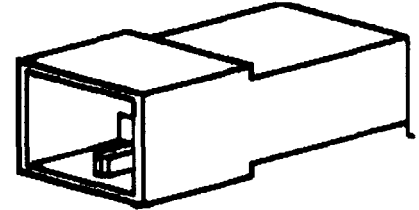
FEATURES AND SPECIFICATIONS

Features and Benefits

- Sizes 2 to 3 circuits
- Standard Material Color: Natural (for other colors please contact Molex)
- Designed for high current
- Female housing fits with tabs series Z630B and Z630C
- Male housing fits with receptacle Z630B and Z630C
- Keyed and polarized
- Material: Nylon (for other material contact Molex)

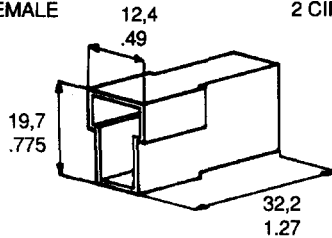
molex® Quick Connect Housings Male/Female

For 6.35mm Tabs/Receptacle



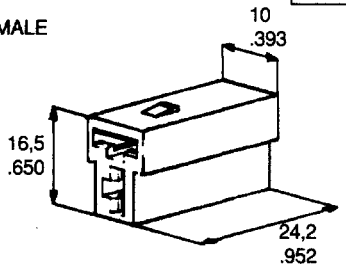
Available Primarily in Europe—Distributed by Molex Incorporated, not Molex-ETC™

FEMALE 2 CIRCUITS



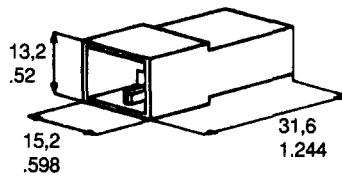
ORDER NO
94090-4090

MALE



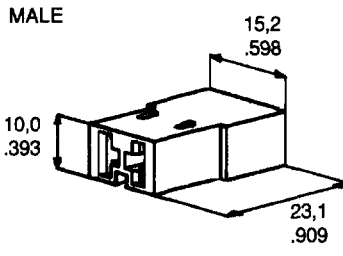
ORDER NO
94090-4080

FEMALE 2 CIRCUITS



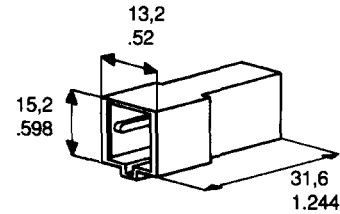
ORDER NO
94502-0200

MALE



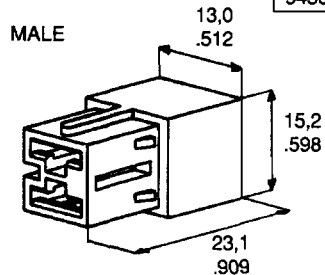
ORDER NO
94503-0200

FEMALE 2 CIRCUITS



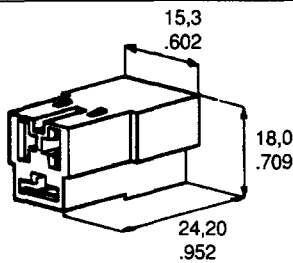
ORDER NO
94502-0210

MALE



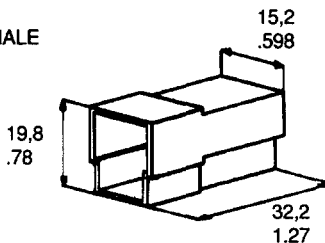
ORDER NO
94503-0210

MALE 3 CIRCUITS



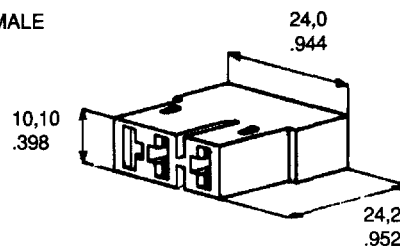
ORDER NO
94090-4120

FEMALE



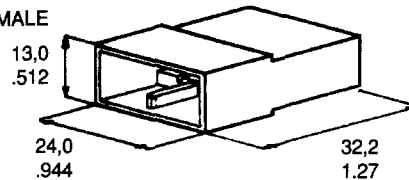
ORDER NO
94090-4130

MALE 3 CIRCUITS



ORDER NO
94090-4100

FEMALE



ORDER NO
94090-4110

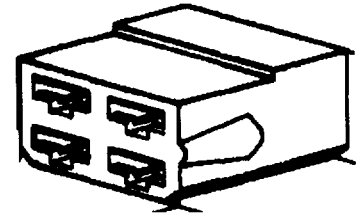
FEATURES AND SPECIFICATIONS

Features and Benefits

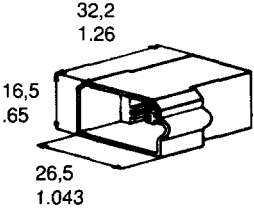
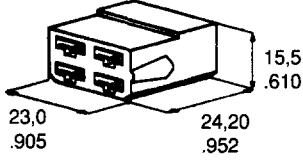
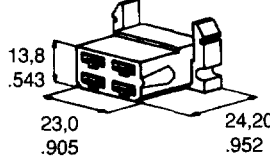
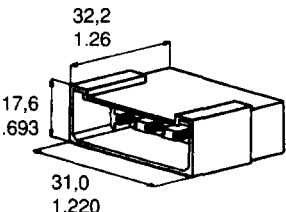
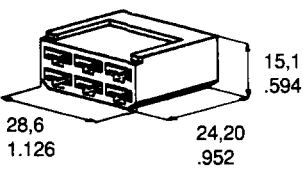
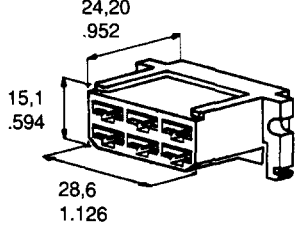
- Sizes 4 and 6 circuits
- Standard Material Color: Natural (for other colors please contact Molex)
- Designed for high current
- Female housing fits with tabs series Z630B and Z630C
- Male housing fits with receptacle Z630B and Z630C
- Keyed and polarized
- Material: Nylon (for other material contact Molex)

molex® Quick Connect Housings Male/Female

For 6.35mm Tabs/Receptacle



Available Primarily in Europe—Distributed by Molex Incorporated, not Molex-ETC™

FEMALE	4 CIRCUITS	MALE	4 CIRCUITS	MALE (Panel mount)	4 CIRCUITS
					
	ORDER NO 94090-4160		ORDER NO 94090-4140		ORDER NO 94090-4150
FEMALE	6 CIRCUITS	MALE	6 CIRCUITS	MALE (Panel mount)	6 CIRCUITS
					
	ORDER NO 94090-4190		ORDER NO 94090-4170		ORDER NO 94090-4180

Industrial Products



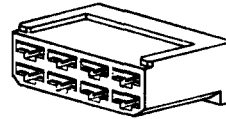
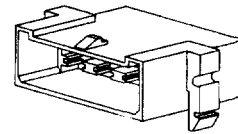
FEATURES AND SPECIFICATIONS

Features and Benefits

- Size 8 circuits
- Standard Material Color: Natural (for other colors please contact Molex)
- Designed for high current
- Female housing fits with tabs series Z630B and Z630C
- Male housing fits with receptacle Z630B and Z630C
- Keyed and polarized
- Material: Nylon (for other material contact Molex)

molex® Quick Connect Housings Male/Female

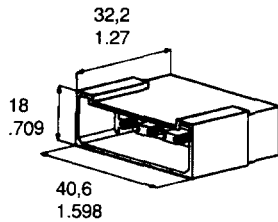
For 6.35mm Tabs/Receptacle



Available Primarily in Europe—Distributed by Molex Incorporated, not Molex-ETC™

FEMALE

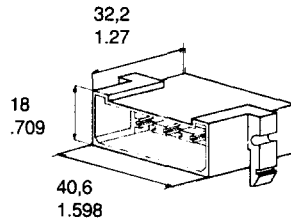
8 CIRCUITS



ORDER NO
94090-4210

FEMALE

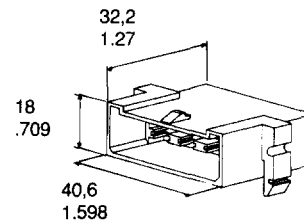
8 CIRCUITS



ORDER NO
94090-4220

FEMALE

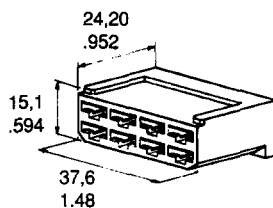
8 CIRCUITS



ORDER NO
94502-0800

MALE

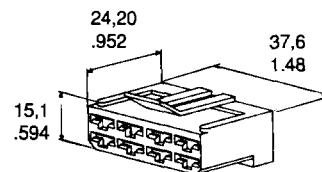
8 CIRCUITS



ORDER NO
94090-4200

MALE

8 CIRCUITS



ORDER NO
94503-0800

