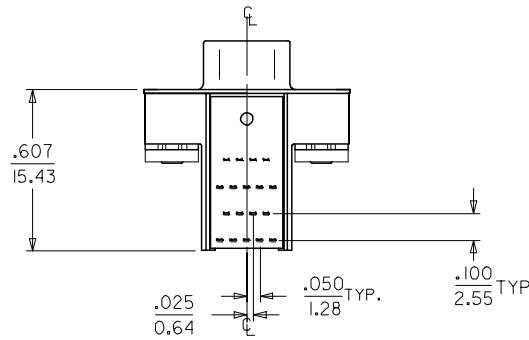
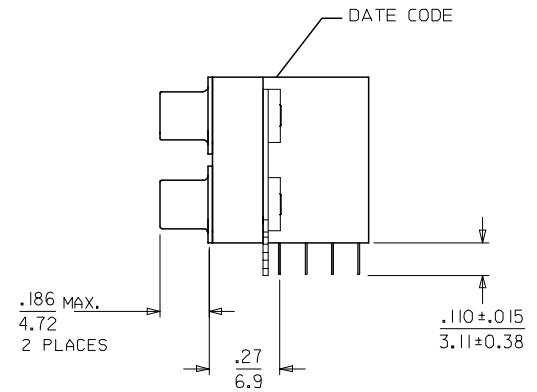
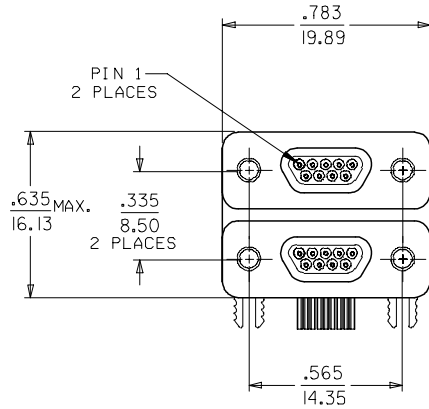


MATERIAL NO.	ENGINEERING NO.
836199200	83619-9200



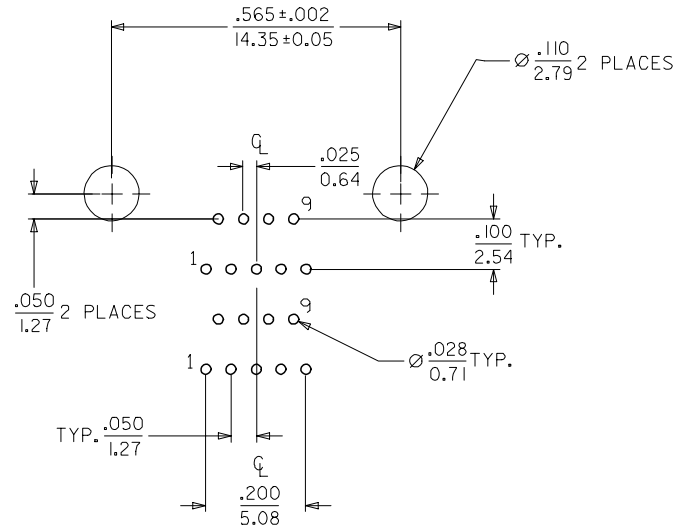
SALES DRAWING

NOTES: UNLESS OTHERWISE SPECIFIED:

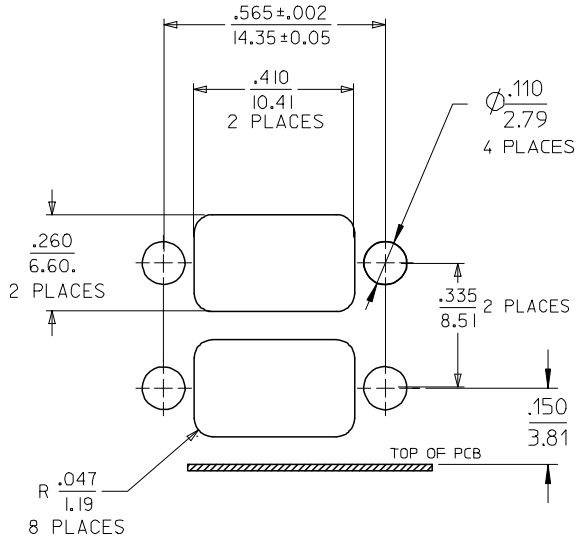
1. MARKING: DATE CODE
2. REFER TO PS-83421-9000 FOR PRODUCT SPECIFICATION
3. SEE SHEET 2 OF 2 FOR PCB AND PANEL CUT-OUT DIMENSIONS

RELEASE FOR PROD EC NO: ETC2006-0004 DRWN: JLOMASTRO 2005/07/25 CHKD: 2005/07/26 APPR: RDEROSS 2005/07/27	QUALITY SYMBOLS ▽=0 ▽=0	GENERAL TOLERANCES (UNLESS SPECIFIED)		DIMENSION STYLE IN/MM		SCALE NONE	DESIGN UNITS INCH	THIRD ANGLE PROJECTION	
			mm	INCH	DRAWN BY JLOMASTR	DATE 04/09/20	COMMERCIAL MICRO-D DUAL STACK JACKPOST NOT INSTALLED SIZE 9/18		
		4 PLACES ± --- ± ---	3 PLACES ± --- ± .005	CHECKED BY RDEROSS	DATE 04/09/27				
		2 PLACES ± 0.13 ± .01	1 PLACE ± 0.25 ± ---	APPROVED BY RDEROSS	DATE 04/09/29	MOLEX INCORPORATED			
	ANGULAR ±1/2°	MATERIAL NO. SEE CHART	DOCUMENT NO. SD-83619-009	SHEET NO. 1 OF 2					
DRAFT WHERE APPLICABLE MUST REMAIN WITHIN DIMENSIONS		SIZE B	THIS DRAWING CONTAINS INFORMATION THAT IS PROPRIETARY TO MOLEX INCORPORATED AND SHOULD NOT BE USED WITHOUT WRITTEN PERMISSION						

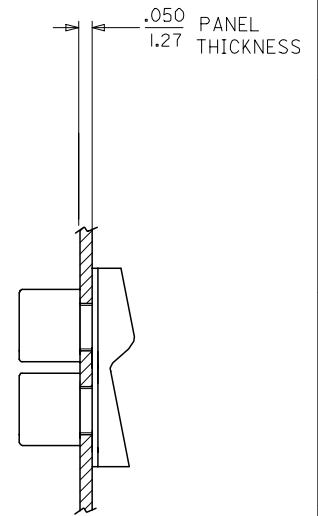
MATERIAL NO.	ENGINEERING NO.
836199200	83619-9200



RECOMMENDED
P.C.B. LAY-OUT
SOLDER SIDE



RECOMMENDED
PANEL CUT-OUT



RELEASE TO PROD EC NO: ETC2006-0004 DRW: JLOMASTRO 2005/07/25 CHKD: RDEROSS 2005/07/26 APPR: RDEROSS 2005/07/27	QUALITY SYMBOLS ▽=0 ▽=0	GENERAL TOLERANCES (UNLESS SPECIFIED)		DIMENSION STYLE		SCALE	DESIGN UNITS	THIRD ANGLE PROJECTION	
			mm	INCH	IN/MM		NONE		INCH
		4 PLACES	± .005	± .005	DRAWN BY	DATE	TITLE		
		3 PLACES	± .005	± .005	JLOMASTR	04/09/20	COMMERCIAL MICRO-D DUAL STACK JACKPOST NOT INSTALLED SIZE 9/18		
2 PLACES	± 0.13	± .01	CHECKED BY	DATE	MOLEX INCORPORATED				
1 PLACE	± 0.25	± .01	RDEROSS	04/09/27	SD-83619-009		SHEET NO.		
ANGULAR ±1/2°			APPROVED BY	DATE	SEE CHART		2 OF 2		
DRAFT WHERE APPLICABLE MUST REMAIN WITHIN DIMENSIONS			RDEROSS	04/09/29	THIS DRAWING CONTAINS INFORMATION THAT IS PROPRIETARY TO MOLEX INCORPORATED AND SHOULD NOT BE USED WITHOUT WRITTEN PERMISSION				
REV	DESCRIPTION	MATERIAL NO.		DOCUMENT NO.					
A		SEE CHART		SD-83619-009					