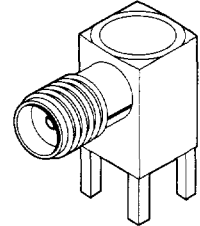


SMA and SMB Receptacles

SMA-RIGHT ANGLE PCB RECEPTACLE

- Brass body
- Gold plated Beryllium Copper contacts
- Tray packaging

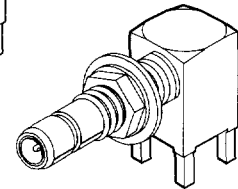
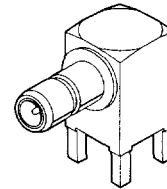
Part No.	Body Plating	Impedance
73100-0114	Gold	50
73100-0115	Nickel	50



SMB-RIGHT ANGLE PCB RECEPTACLE

- PCB stand-offs
- Overall plating—Gold
- Tray packaging

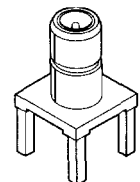
Part No.	CC Plating	Impedance
73100-0097	Long Panel Mount	50
73396-0010	Long Panel Mount	75
73100-0103	Standard	50
73100-0259	Standard	75



SMB-VERTICAL PCB RECEPTACLE

- PCB stand-offs
- Overall plating—Gold
- Tray packaging

Part No.	CC Diameter	Impedance
73100-0207	0.95 (.037)	50
73100-0258	0.51 (.020)	75
73100-0157	0.95 (.037)	75

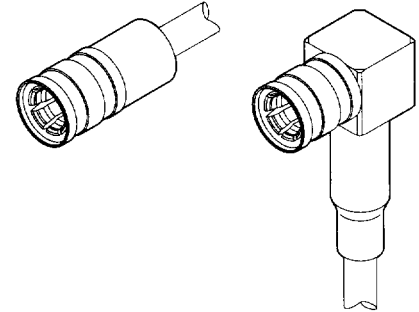


SMB

CABLE PLUGS

- Crimp/solder termination
- Beryllium Copper contacts
- Overall plating—Gold

Part No.	Configuration	Cable	Impedance
73100-0248	Straight	RG-174, 188 and 316	50
73100-0255	Straight	RG-179	75
73100-0257	R/A	RG-174, 188 and 316	50
73100-0256	R/A	RG-179	75



STRAIGHT PANEL RECEPTACLE

- Anti-rotation grounding flange
- Solder cup contact
- Tray packaging

Part No.	Panel Thickness (max.)	Impedance
73100-0208	1.80 (.071)	50
73100-0158	1.80 (.071)	75

