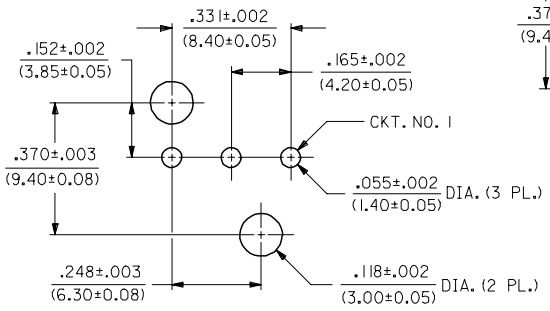
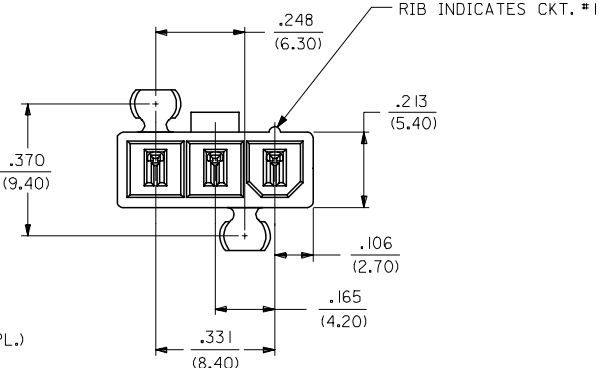
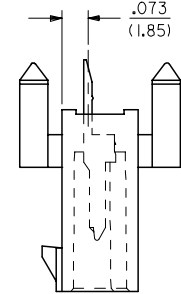
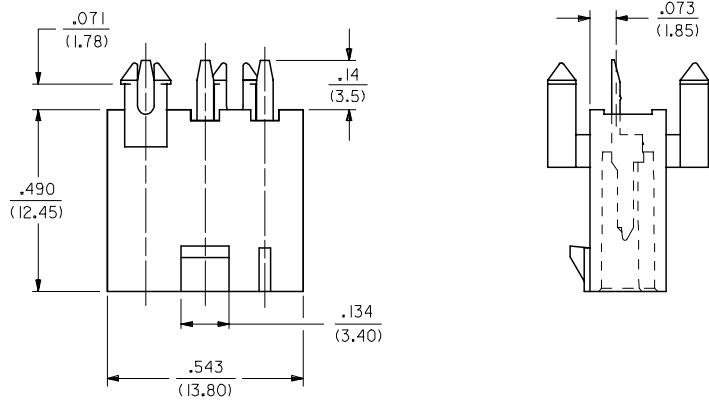


- NOTES:
- MATERIALS:
HOUSING:
"BLANK"=NYLON 6/6, UL94 V-2, COLOR: NATURAL
"210"=NYLON 6/6, UL94 V-0, COLOR: NATURAL
TERMINALS:
BRASS
 - TERMINAL PLATING:
"BLANK"=.000035/(0.00090) MIN. BRIGHT TIN OVER
.000020/(0.00050) MIN. COPPER
*GS2=.000015/(0.00038) MIN. SELECT GOLD AND
.000100/(0.00254) MIN. SELECT MATTE TIN
OVER .000050/(0.00127) MIN. NICKEL OVERALL
*GS=.000030/(0.00076) MIN. SELECT GOLD AND
.000100/(0.00254) MIN. SELECT MATTE TIN
OVER .000050/(0.00127) MIN. NICKEL OVERALL
S=.000100/(0.00254) MIN. BRIGHT TIN OVER
.000050/(0.00127) MIN. NICKEL
*THE PRIMARY SHIPPING CARTON WILL BE LABELED
"ELV AND RoHS COMPLIANT"; CARTONS WITHOUT
THIS LABEL MAY CONTAIN PRODUCT WITH
TIN-LEAD PLATING.
 - PRODUCT SPECIFICATION: PS-5556-001
 - PACKAGING: TRAY PACKED PER PK-5566-002
 - PART MATES WITH MINI-FIT JR. RECEPTACLE NO. 5557.
 - ALL DIMENSIONS ARE REFERENCE UNLESS OTHERWISE SPECIFIED.
 - PART IS NOT DESIGNED FOR CURRENT SHARING.
 - PARTS ARE NOT TO BE MATED OR UN-MATED WHILE CIRCUITS ARE LIVE.
 - PART CONFORMS TO CLASS 'B' REQUIREMENTS OF COSMETIC SPECIFICATION PS-45499-002.

PART NO.	ENG. NO.	ASS'Y. TYPE	HOUSING MAT'L. (SEE NOTE 1)	PLATING (SEE NOTE 2)
39-30-1039	5566-03A3	A	"BLANK"	"BLANK"
39-30-2033	-03A3GS2	A	↑	GS2
39-30-2031	-03A3GS	A	↑	GS
39-30-5037	-03A3S	A	↑	S
39-30-2035	-03B3	B	↑	"BLANK"
39-30-2039	-03B3GS2	B	↑	GS2
39-30-2037	-03B3GS	B	↑	GS
39-30-5039	-03B3S	B	"BLANK"	S
39-30-2030	-03A3-210	A	210	"BLANK"
39-30-2034	-03A3GS2-210	A	↑	GS2
39-30-2032	-03A3GS-210	A	↑	GS
39-30-5038	-03A3S-210	A	↑	S
39-30-2036	-03B3-210	B	↑	"BLANK"
39-30-3030	-03B3GS2-210	B	↑	GS2
39-30-2038	-03B3GS-210	B	↑	GS
39-30-6030	5566-03B3S-210	B	210	S



LEGEND

5566-03*3*-***

- BASE NO.
- CIRCUIT SIZE
- ASS'Y. TYPE
A = WITHOUT DRAIN HOLES
B = WITH DRAIN HOLES
- MOUNTING
3 = PEGS
- PLATING
(SEE NOTE 2)
- HOUSING MATERIAL
(SEE NOTE 1)

RECOMMENDED HOLE LAYOUT FOR
.070/(1.78) MAX. THICK P. C. BOARD

TRAY PACKAGING EC NO: UCP2008-0153 DRWNL:SCHEIDT 2007/09/26 CHKD:ADERR 2007/09/26 APPR:FSM TH 2007/09/26 REV DESCRIPTION	QUALITY SYMBOLS ▽=0 ▽=0	GENERAL TOLERANCES (UNLESS SPECIFIED) mm INCH 4 PLACES ± --- ± --- 3 PLACES ± --- ±.010 2 PLACES ± 0.25 ±.015 1 PLACE ± 0.38 ± --- ANGULAR ±1/2°	DIMENSION STYLE IN/MM DRAWN BY DATE GEP 1990/06/07 CHECKED BY DATE RJF 1990/06/07 APPROVED BY DATE RAS 1990/06/07	SCALE 4:1 DESIGN UNITS METRIC THIRD ANGLE PROJECTION	MINI-FIT JR. VERT. HDR. ASSY. W/PEGS, WITH & W/O DRAIN HOLES (SINGLE ROW)	MATERIAL NO. DOCUMENT NO.	SHEET NO. 1 OF 1
	DRAFT WHERE APPLICABLE MUST REMAIN WITHIN DIMENSIONS	SEE CHART THIS DRAWING CONTAINS INFORMATION THAT IS PROPRIETARY TO MOLEX INCORPORATED AND SHOULD NOT BE USED WITHOUT WRITTEN PERMISSION	MOLEX MOLEX INCORPORATED SDA-5566-03*3*				