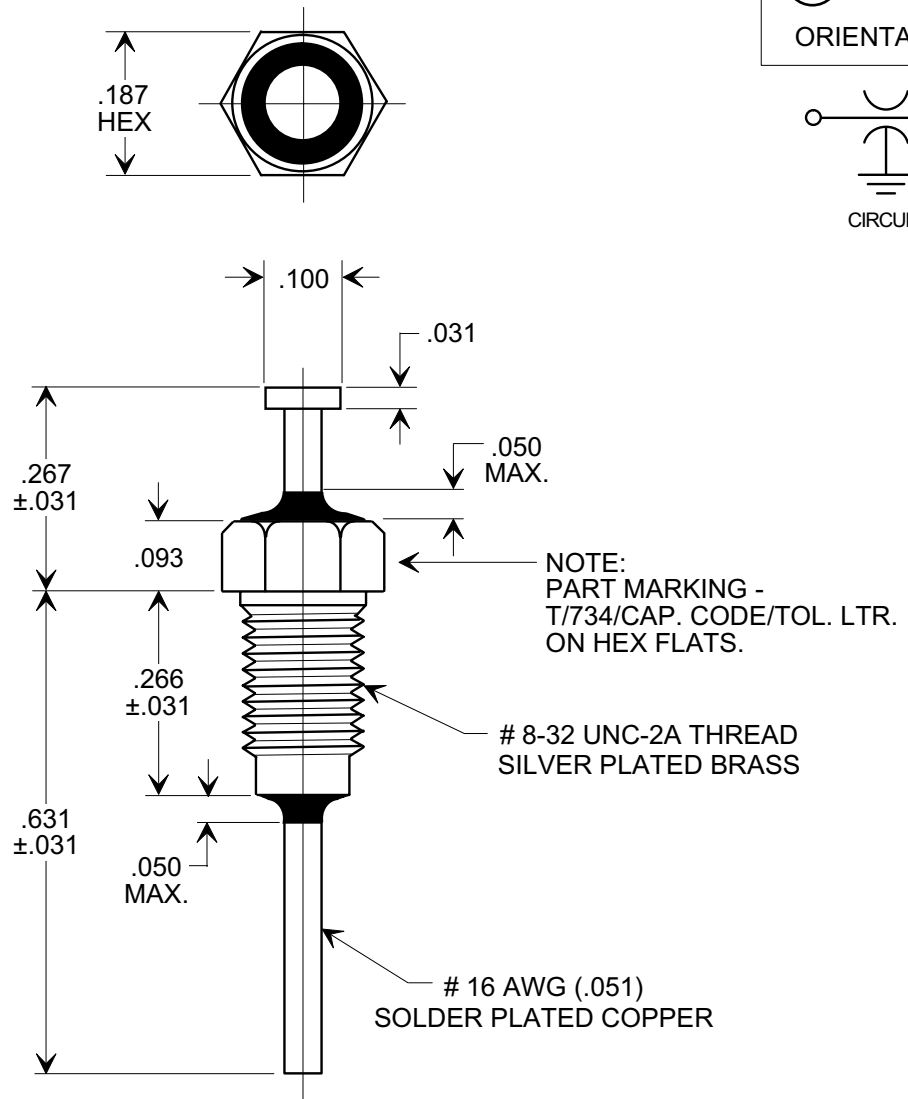
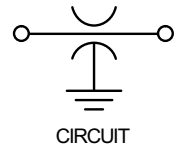
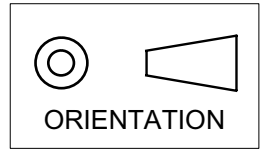


MARKETING SALES DRAWING

DIMENSIONS IN INCHES - DO NOT SCALE THIS DRAWING

Electrical Testing
per Tusonix standard
test plans and Mil-Std-202
Test Methods.



TUSONIX PART NUMBER	2425-734-X7U0-152Z
CAP. VALUE	1500 pF
CAP. TOL.	+80, -20 %
TEMP. COEF.	X7U
VOLT. RATING	100 VDC +125°C
OPERATING TEMP. RANGE	-55 TO +125°C
TESTED TO TUSONIX EQUIVALENT TO MIL-C39014 FOR GROUP A INSPECTION INCLUDING SUMMARY TEST DATA	

NOTE:
1. SUPPLIED WITH SILVER PLATED
HEX NUT AND INTERNAL TOOTH
LOCK WASHER.

X-2015 Rev-0

REVISION RECORD

0
Original Release
C.O. 20000216-2-01

--TOLERANCES-- Unless Otherwise Specified	
DECIMAL ±	.015
ANGLES ±	
TUSONIX TUCSON, ARIZONA	

Title HI-RELIABILITY COMMERCIAL REPLACEMENT FOR M39014/18 (CKR76) FEED-THRU CAPACITOR	
Drawn S.M. 02-17-00	Scale 4 X
Approved T.C. 02-17-00	
A	2425-734-X7UO-152Z