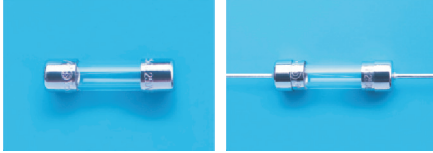


## Type 5SF / 5SFP

5 x 20mm Glass Tube  
RoHS 6 Compliant

### Quick-acting Fuse Series (Low Breaking Capacity)



#### Electrical Characteristics (IEC-127-2 STANDARD SHEET 2)

Rated Current	1.5 In		2.1 In		2.75 In		4 In		10 In	
	MIN	MAX	MIN	MAX	MIN	MAX	MIN	MAX	MIN	MAX
80mA to 100mA	1	30	10	0.5	3	100	20			
125mA to 6.3A	1	30	50	2	10	300	20			
8A to 10A	1	30	50	2	10	400	40			
	hr.	min.	ms	sec	ms	ms	ms			

#### Approvals



Safety Agency Approvals	Amp range / Volt @ I.R. ability
Certificate No. 0035174 / 0046197 Licence No. 40000509 Certificate No. EM234	80mA - 6.3A / 250V AC@ 35A or 10 In whichever is greater
Recognized File No. E20624 Acceptance File No. LR39772	
Licence No. 2003010207030263	80mA - 10A / 250V AC@ 35A or 10 In whichever is greater
	80mA - 6.3A / 250V AC@ 35A or 10 In whichever is greater

#### RoHS 6 Compliant Product

#### Operating Temperature

-55°C to +125°C

#### Physical Specification

##### Materials

Glass body / Nickel Plated Brass Caps

Lead wire:

Matte Tin Plated Copper Alloy,

Diameter 0.032", 6.3A and less

Diameter 0.040", 8A and above

##### Marking

On fuse:

"bel", "F", "Current Rating", "L", "250V", "Appropriate Safety Logos" and "✓" (RoHS 6 compliant)

On label:

"bel", "5SF", or "5SFP", "Current Rating", "Voltage Rating", "Interrupting Rating", "Appropriate Safety Logos" and "✓", "e" (China RoHS compliant)

##### Packaging

1. In bulk:

5SF - 1,000 pcs per box; 5SFP - 500 pcs per box

2. On Axial Tape & Reel:

1,500 pcs per reel

3. Tape & Reel specification:

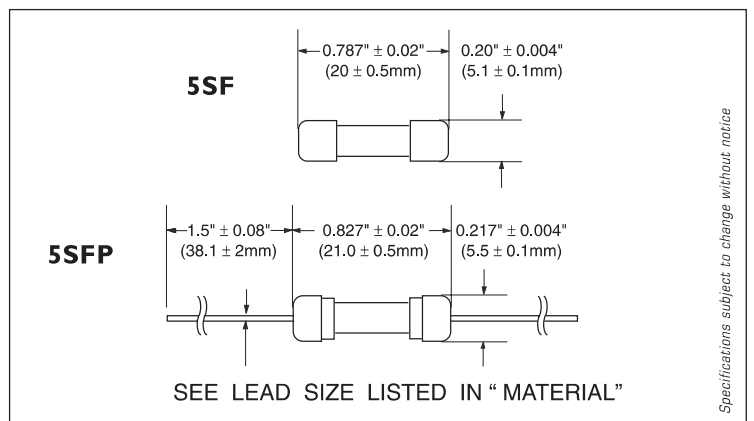
per EIA-296-E & IEC 286-1

@ 10mm Pitch and 63.5mm inside Tape Spacing

Catalog Number	Ampere Rating	Typical Cold Resistance (ohm)	Volt-drop @100% In (Volt) max.	Melting I <sup>2</sup> T < 10 mSec (A <sup>2</sup> Sec)	Melting I <sup>2</sup> T @10 In (A <sup>2</sup> Sec)	Maximum Power Dissipation (W)
5SF (P) 80-R	80mA	6.80	0.93	0.003	0.003	0.39
5SF (P) 100-R	100mA	4.90	0.84	0.005	0.005	0.44
5SF (P) 125-R	125mA	3.50	0.76	0.009	0.008	0.50
5SF (P) 160-R	160mA	2.50	0.68	0.017	0.015	0.57
5SF (P) 200-R	200mA	1.10	0.44	0.030	0.028	0.64
5SF (P) 250-R	250mA	0.95	0.40	0.05	0.05	0.73
5SF (P) 315-R	315mA	0.50	0.35	0.10	0.09	0.83
5SF (P) 400-R	400mA	0.44	0.32	0.17	0.17	0.94
5SF (P) 500-R	500mA	0.32	0.28	0.40	0.40	0.12
5SF (P) 630-R	630mA	0.15	0.15	0.64	0.65	0.15
5SF (P) 800-R	800mA	0.11	0.14	1.01	1.04	0.20
5SF (P) 1-R	1A	0.090	0.13	1.6	1.7	0.27
5SF (P) 1.25-R	1.25A	0.062	0.12	2.5	2.7	0.35
5SF (P) 1.6-R	1.6A	0.050	0.12	4.0	4.4	0.47
5SF (P) 2-R	2A	0.036	0.11	6.4	7.0	0.62
5SF (P) 2.5-R	2.5A	0.026	0.11	10	11	0.82
5SF (P) 3.15-R	3.15A	0.022	0.10	16	18	1.08
5SF (P) 4-R	4A	0.017	0.10	26	30	1.43
5SF (P) 5-R	5A	0.012	0.09	41	48	1.89
5SF (P) 6.3-R	6.3A	0.010	0.09	65	74	2.50
5SF (P) 8-R	8A	0.007	0.08	103	119	3.30
5SF (P) 10-R	10A	0.006	0.08	163	192	4.37

Consult manufacturer for other ratings

#### Mechanical Dimensions



SEE LEAD SIZE LISTED IN "MATERIAL"

ORDERING INFORMATION SEE LAST 2 PAGES

# Type 5SF / 5SFP

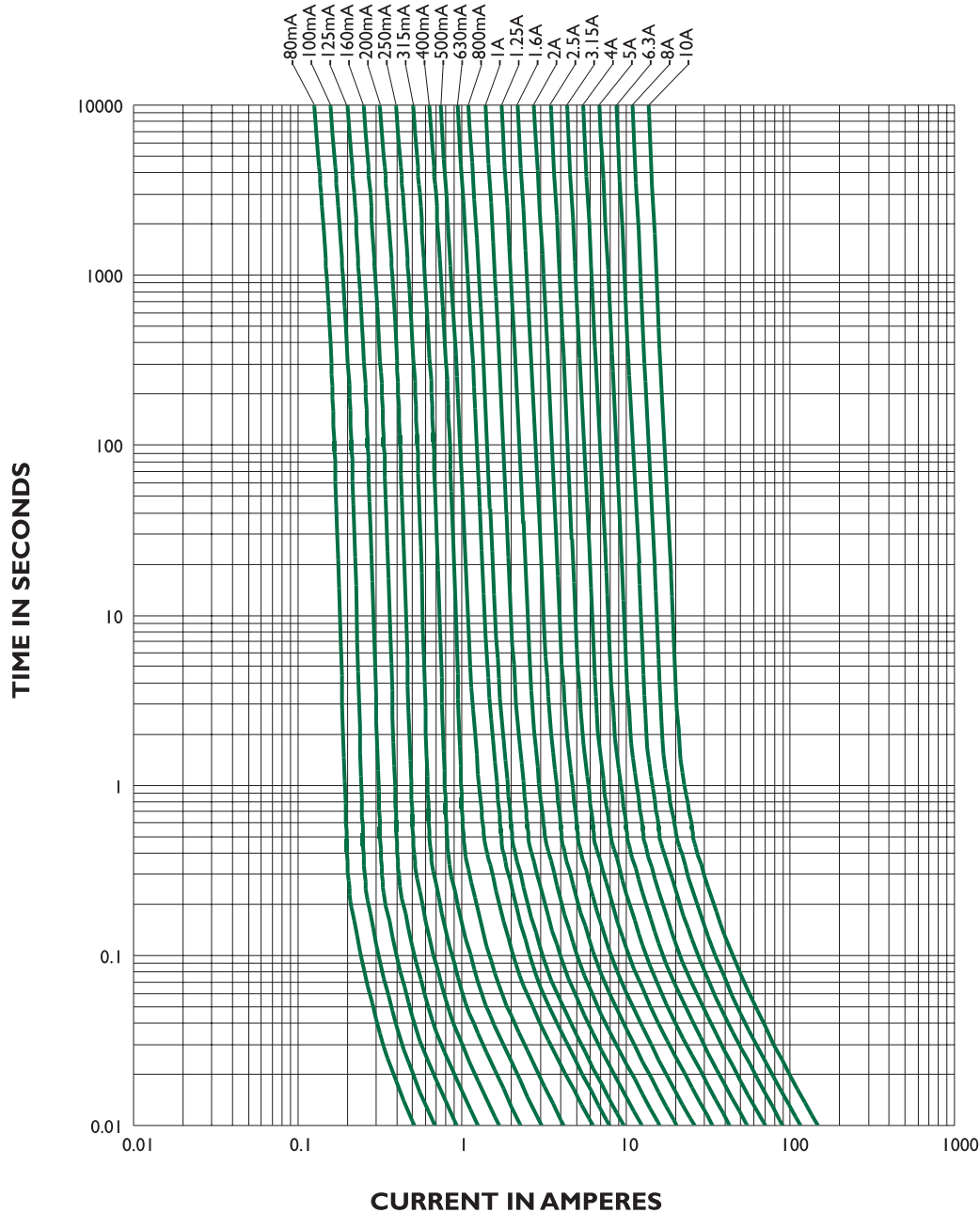
Quick-acting Fuse Series (Low Breaking Capacity)

5 x 20mm Glass Tube  
RoHS 6 Compliant

# bel

5SFC0808

## 5SF / 5SFP - TIME CURRENT CHARACTERISTIC CURVE



Specifications subject to change without notice

NOTE - see important information under "User Guide" on P.08

### Corporate Office

#### Bel Fuse Inc.

206 Van Vorst Street, Jersey City, NJ 07302  
Tel: 201-432-0463  
Fax: 201-432-9542  
E-Mail: [belfuse@belfuse.com](mailto:belfuse@belfuse.com)  
Website: [www.belfuse.com](http://www.belfuse.com)

### Far East Office

#### Bel Fuse Ltd.

8F/8 Luk Hop Street,  
San Po Kong  
Kowloon, Hong Kong  
Tel: 852-2328-5515  
Fax: 852-2352-3706

### European Office

#### Bel Fuse Europe Ltd.

Preston Technology Management Centre  
Marsh Lane, Preston PR1 8UG  
Lancashire, U.K  
Tel: 44-1772-556601  
Fax: 44-1772-888366