

**PRELIMINARY**  
 Notice: This is not a final specification.  
 Some parametric limits are subject to change.

# MITSUBISHI MICROCOMPUTERS

## M37753M8C-XXXFP, M37753M8C-XXXHP

## M37753S4CFP, M37753S4CHP

SINGLE-CHIP 16-BIT CMOS MICROCOMPUTER

### DESCRIPTION

The M37753M8C-XXXFP is a single-chip microcomputer designed with high-performance CMOS silicon gate technology. This is housed in a 80-pin plastic molded QFP.

This microcomputer has a CPU and a bus interface unit. The CPU is a 16-bit parallel processor that can also be switched to perform 8-bit parallel processing, and the bus interface unit enhances the memory access efficiency to execute instructions fast.

In addition to the 7700 Family basic instructions, the M37753M8C-XXXFP has 6 special instructions which contain instructions for signed multiplication/division; these added instructions improve the servo arithmetic performance to control hard disk drives and so on. This microcomputer also include the ROM, RAM, multiple-function timers, motor control function, serial I/O, A-D converter, D-A converter, and so on.

The differences between M37753M8C-XXXFP, M37753M8C-XXXHP, M37753S4CFP and M37753S4CHP are listed in the table on the next page: the internal ROM, usable processor mode, and package. Therefore, the following descriptions will be for the M37753M8C-XXXFP unless otherwise noted.

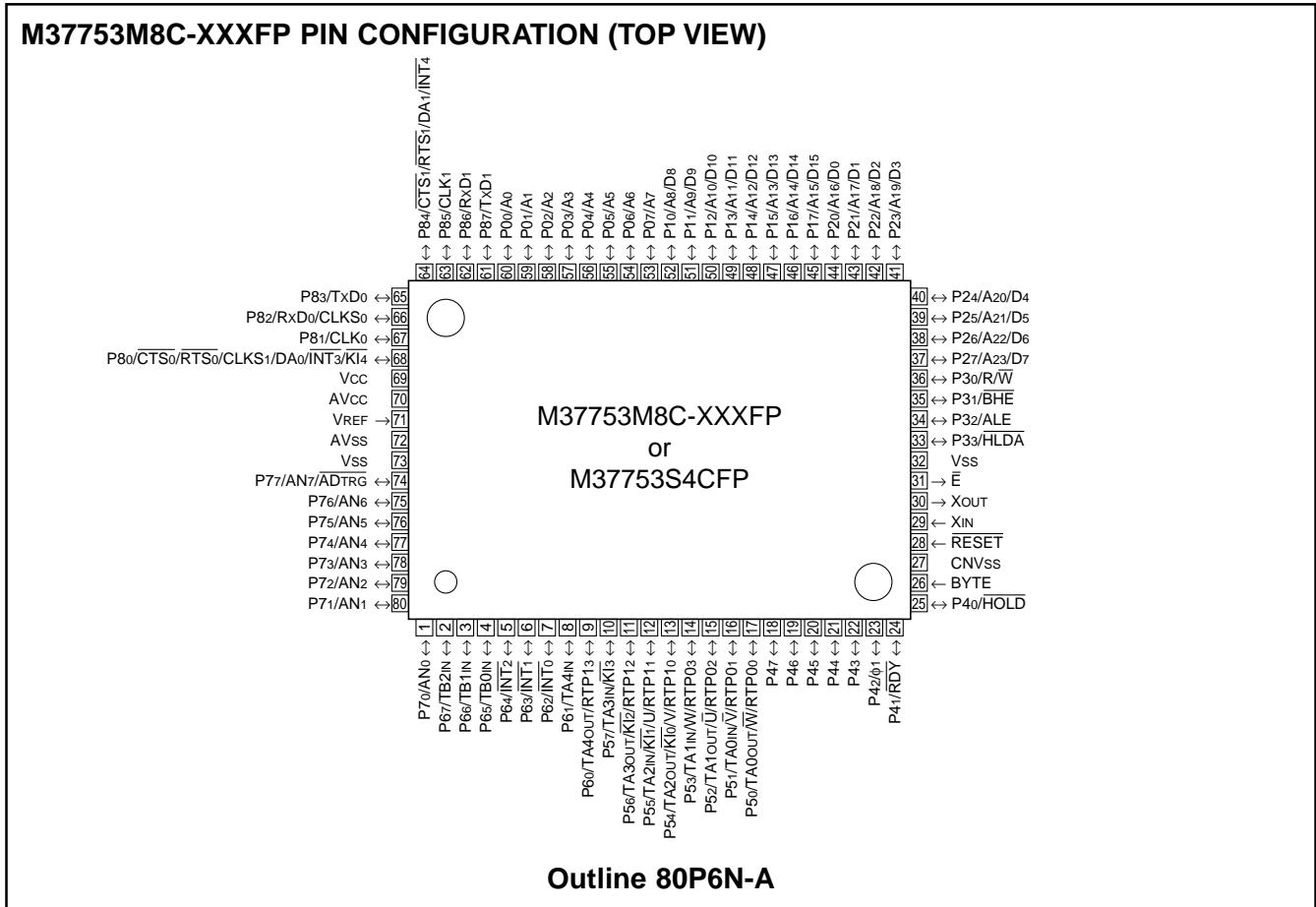
### DISTINCTIVE FEATURES

- Number of basic machine instructions ..... 109  
 (103 basic instructions of 7700 Family + 6 special instructions)
- Memory size      ROM ..... 60 Kbytes  
                       RAM ..... 2048 bytes

- Instruction execution time  
 The fastest instruction at 40 MHz frequency ..... 100 ns
- Single power supply ..... 5V ±10 %
- Low power dissipation (at 40 MHz frequency) ..... 125 mW (Typ.)
- Interrupts ..... 21 types, 7 levels
- Multiple-function 16-bit timer ..... 5+3  
 (three-phase motor drive waveform or pulse motor control waveform output)
- Serial I/O (UART or clock synchronous) ..... 2
- 10-bit A-D converter ..... 8-channel inputs
- 8-bit D-A converter ..... 2-channel outputs
- 12-bit watchdog timer
- Programmable input/output  
 (ports P0—P8) ..... 68

### APPLICATION

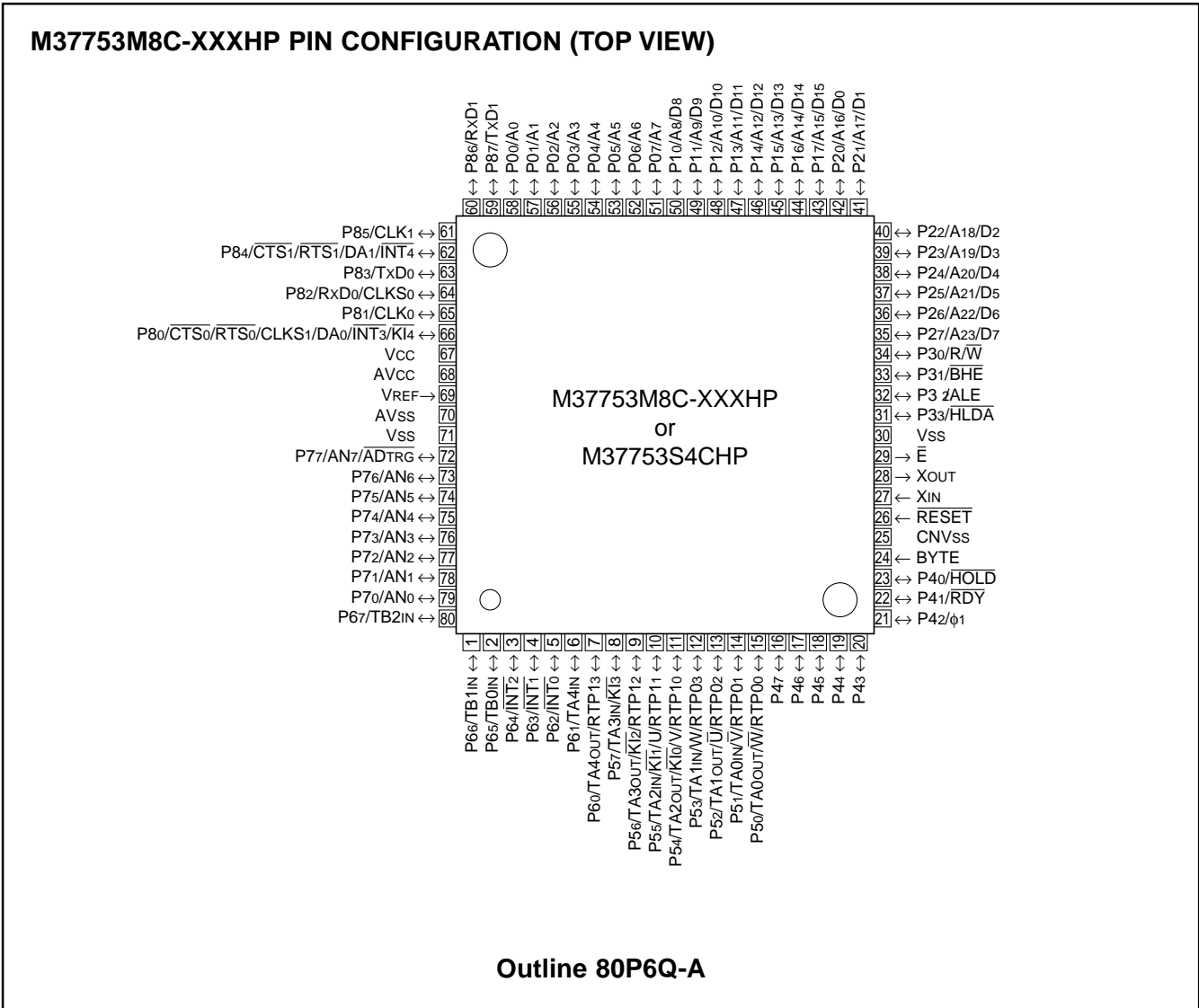
Control devices for personal computer peripheral equipment such as CD-ROM drives, hard disk drives, high density FDD, printers  
 Control devices for office equipment such as copiers and facsimiles  
 Control devices for industrial equipment such as communication and measuring instruments  
 Control devices for equipment required for motor control such as inverter air conditioner and general purpose inverter



**PRELIMINARY**  
 Notice: This is not a final specification.  
 Some parametric limits are subject to change.

**M37753M8C-XXXFP, M37753M8C-XXXHP**  
**M37753S4CFP, M37753S4CHP**

SINGLE-CHIP 16-BIT CMOS MICROCOMPUTER



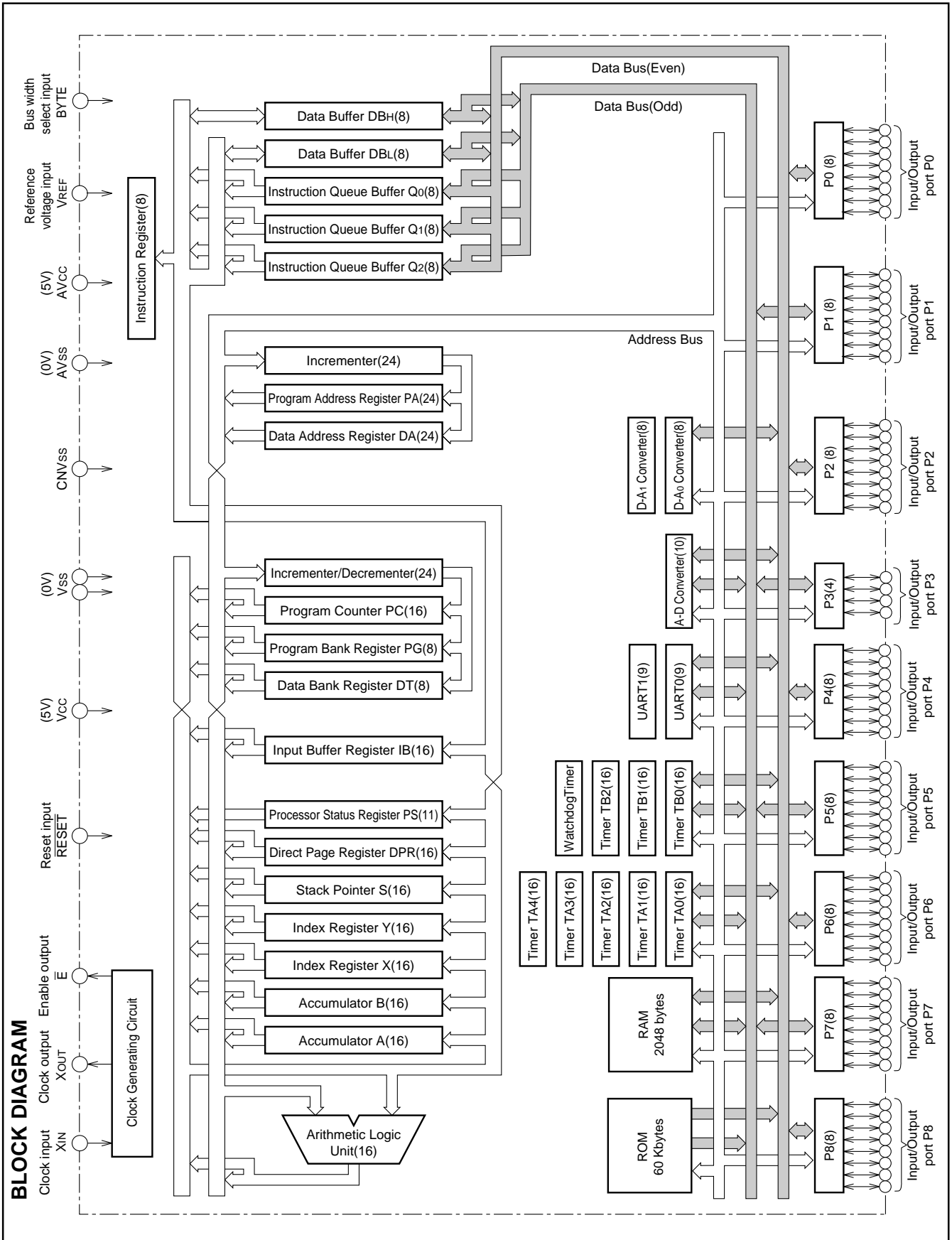
**Differences between M37753M8C-XXXFP, M37753M8C-XXXHP, M37753S4CFP, and M37753S4CHP**

Product	Internal ROM	Usable processor mode	Package
M37753M8C-XXXFP	Equipped (60 Kbytes)	<ul style="list-style-type: none"> <li>• Single-chip mode</li> <li>• Memory expansion mode</li> <li>• Microprocessor mode</li> </ul>	80-pin QFP (80P6N-A)
M37753M8C-XXXHP			80-pin fine pitch QFP (80P6Q-A)
M37753S4CFP	Not equipped (External ROM)	<ul style="list-style-type: none"> <li>• Microprocessor mode</li> </ul>	80-pin QFP (80P6N-A)
M37753S4CHP			80-pin fine pitch QFP (80P6Q-A)

**PRELIMINARY**  
 Notice: This is not a final specification.  
 Some parametric limits are subject to change.

**M37753M8C-XXXFP, M37753M8C-XXXHP**  
**M37753S4CFP, M37753S4CHP**

SINGLE-CHIP 16-BIT CMOS MICROCOMPUTER



**M37753M8C-XXXFP, M37753M8C-XXXHP**  
**M37753S4CFP, M37753S4CHP**

SINGLE-CHIP 16-BIT CMOS MICROCOMPUTER

**PRELIMINARY**  
 Notice: This is not a final specification.  
 Some parametric limits are subject to change.

**FUNCTIONS OF M37753M8C-XXXFP**

Parameter		Functions
Number of basic machine instructions		109
Instruction execution time		100 ns (the fastest instruction at external clock 40 MHz frequency)
Memory size	ROM ( <b>Note 1</b> )	60 Kbytes
	RAM	2048 bytes
Input/Output ports ( <b>Note 2</b> )	P0–P2, P4–P8	8-bit × 8
	P3	4-bit × 1
Multiple-function timers	TA0, TA1, TA2, TA3, TA4	16-bit × 5
	TB0, TB1, TB2	16-bit × 3
Serial I/O		(UART or clock synchronous serial I/O) × 2
A-D converter		10-bit × 1 (8 channels)
D-A converter		8-bit × 2
Watchdog timer		12-bit × 1
Dead-time timer		8-bit × 3
Interrupts		5 external types, 16 internal types (Each interrupt can be set to priority levels 0–7.)
Clock generating circuit		Built-in (externally connected to a ceramic resonator or quartz crystal resonator)
Supply voltage		5 V±10 %
Power dissipation		125 mW(at external clock 40 MHz frequency)
Input/Output characteristic	Input/Output withstand voltage	5 V
	Output current	5 mA
Memory expansion		Maximum 16 Mbytes
Operating temperature range		–20 to 85 °C
Device structure		CMOS high-performance silicon gate process
Package		80-pin plastic molded QFP

**Notes 1:** The M37753S4CFP and the M37753S4CHP are not equipped with ROM.  
**2:** Input/Output ports for the M37753S4CFP and the M37753S4CHP are as shown below :  
 • P5–P8 (8-bit × 4)  
 • P4 (5-bit × 1)

**PRELIMINARY**  
 Notice: This is not a final specification.  
 Some parametric limits are subject to change.

**M37753M8C-XXXFP, M37753M8C-XXXHP**  
**M37753S4CFP, M37753S4CHP**

SINGLE-CHIP 16-BIT CMOS MICROCOMPUTER

**PIN DESCRIPTION**

Pin	Name	Input/Output	Functions
VCC, VSS	Power supply		Supply 5 V±10 % to VCC and 0 V to VSS.
CNVSS	CNVSS input	Input	This pin controls the processor mode. Connect to VSS for single-chip mode or memory expansion mode. Connect to VCC for microprocessor mode and external ROM version.
RESET	Reset input	Input	This is reset input pin. The microcomputer is reset when supplying "L" level to this pin.
XIN	Clock input	Input	These are I/O pins of internal clock generating circuit. Connect a ceramic or quartz-crystal resonator between XIN and XOUT. When an external clock is used, the clock source should be connected to the XIN pin and the XOUT pin should be left open.
XOUT	Clock output	Output	
E	Enable output	Output	Data or instruction read, data write are performed when output from this pin is "L".
BYTE (Note)	Bus width select input	Input	This pin determines whether the external data bus is 8-bit width or 16-bit width for memory expansion mode or microprocessor mode. The width is 16 bits when "L" signal inputs and 8 bits when "H" signal inputs.
AVCC, AVSS	Analog supply input		Power supply for the A-D converter and the D-A converter. Connect AVCC to VCC and AVSS to VSS externally.
VREF	Reference voltage input	Input	This is reference voltage input pin for the A-D converter and the D-A converter.
P00-P07	I/O port P0	I/O	In single-chip mode, port P0 is an 8-bit I/O port. This port has an I/O direction register and each pin can be programmed for input or output. These ports are in the input mode when reset. Address (A0-A7) is output in memory expansion mode or microprocessor mode.
P10-P17	I/O port P1	I/O	In single-chip mode, these pins have the same functions as port P0. When the BYTE pin is set to "L" in memory expansion mode or microprocessor mode and external data bus is 16-bit width, high-order data (D8-D15) is input or output if E output is "L" and an address (A8-A15) is output if E output is "H". When the BYTE pin is set to "H" and an external data bus is 8-bit width, only address (A8-A15) is output.
P20-P27	I/O port P2	I/O	In single-chip mode, these pins have the same functions as port P0. In memory expansion mode or microprocessor mode, low-order data (D0-D7) is input or output when E output is "L" and an address (A16-A23) is output when E output is "H".
P30-P33	I/O port P3	I/O	In single-chip mode, these pins have the same functions as port P0. In memory expansion mode or microprocessor mode, R/W, BHE, ALE, and HLDA signals are output.
P40-P47	I/O port P4	I/O	In single-chip mode, these pins have the same functions as port P0. In memory expansion mode or micro processor mode, P40, P41, and P42 become HOLD and RDY input pins, and clock φ1 output pin respectively. Functions of other pins are the same as in single-chip mode. In memory expansion mode, P42 can be programmed as I/O port.
P50-P57	I/O port P5	I/O	In addition to having the same functions as port P0 in single-chip mode, these pins also function as I/O pins for timer A0, timer A1, timer A2, timer A3, output pins for motor drive waveform, and input pins for key input interrupt.
P60-P67	I/O port P6	I/O	In addition to having the same functions as port P0 in single-chip mode, these pins also function as the I/O pin for timer A4, input pins for external interrupt input INT0, INT1, and INT2, and input pins for timer B0, timer B1, and timer B2, and output pin for motor drive waveform.
P70-P77	I/O port P7	I/O	In addition to having the same functions as port P0 in single-chip mode, these pins also function as input pins for A-D converter.
P80-P87	I/O port P8	I/O	In addition to having the same functions as port P0 in single-chip mode, these pins also function as I/O pins for UART0, UART1, output pins for D-A converter, and input pins for INT3, INT4.

**Note:** It is impossible to change the input level of the BYTE pin in each bus cycle. In other words, bus width cannot be switched dynamically. Fix the input level of the BYTE pin to "H" or "L" according to the bus width used.

**M37753M8C-XXXFP, M37753M8C-XXXHP  
 M37753S4CFP, M37753S4CHP**

SINGLE-CHIP 16-BIT CMOS MICROCOMPUTER

**BASIC FUNCTION BLOCKS**

The M37753M8C-XXXFP and M37753M8C-XXXHP contain the following devices on single chips: ROM, RAM, CPU, bus interface unit, timers, UART, A-D converter, D-A converter, I/O ports, clock generating circuit and others. Each of these devices is described below.

**MEMORY**

The memory map is shown in Figure 1. The address space is 16 Mbytes from addresses 016 to FFFFFFF16. The address space is divided into 64-Kbyte units called banks. The banks are numbered from 016 to FF16.

Internal ROM, internal RAM, and control registers for internal peripheral devices are assigned to bank 016.

The 60-Kbyte area from addresses 100016 to FFFF16 is the internal ROM.

Addresses FFD216 to FFFF16 are the RESET and interrupt vector addresses and contain the interrupt vectors. Refer to the section on interrupts for details.

The 2048-byte area from addresses 8016 to 87F16 contains the internal RAM. In addition to storing data, the RAM is used during a subroutine call, or interrupts.

Assigned to addresses 016 to 7F16 are peripheral devices such as I/O ports, A-D converter, D-A converter, UART, timer, and interrupt control registers.

Additionally the internal ROM area can be modified by software. Refer to the section on ROM area modification function for details.

A 256-byte direct page area can be allocated anywhere in bank 016 using the direct page register DPR. In direct page addressing mode, the memory in the direct page area can be accessed with two words thus reducing program steps.

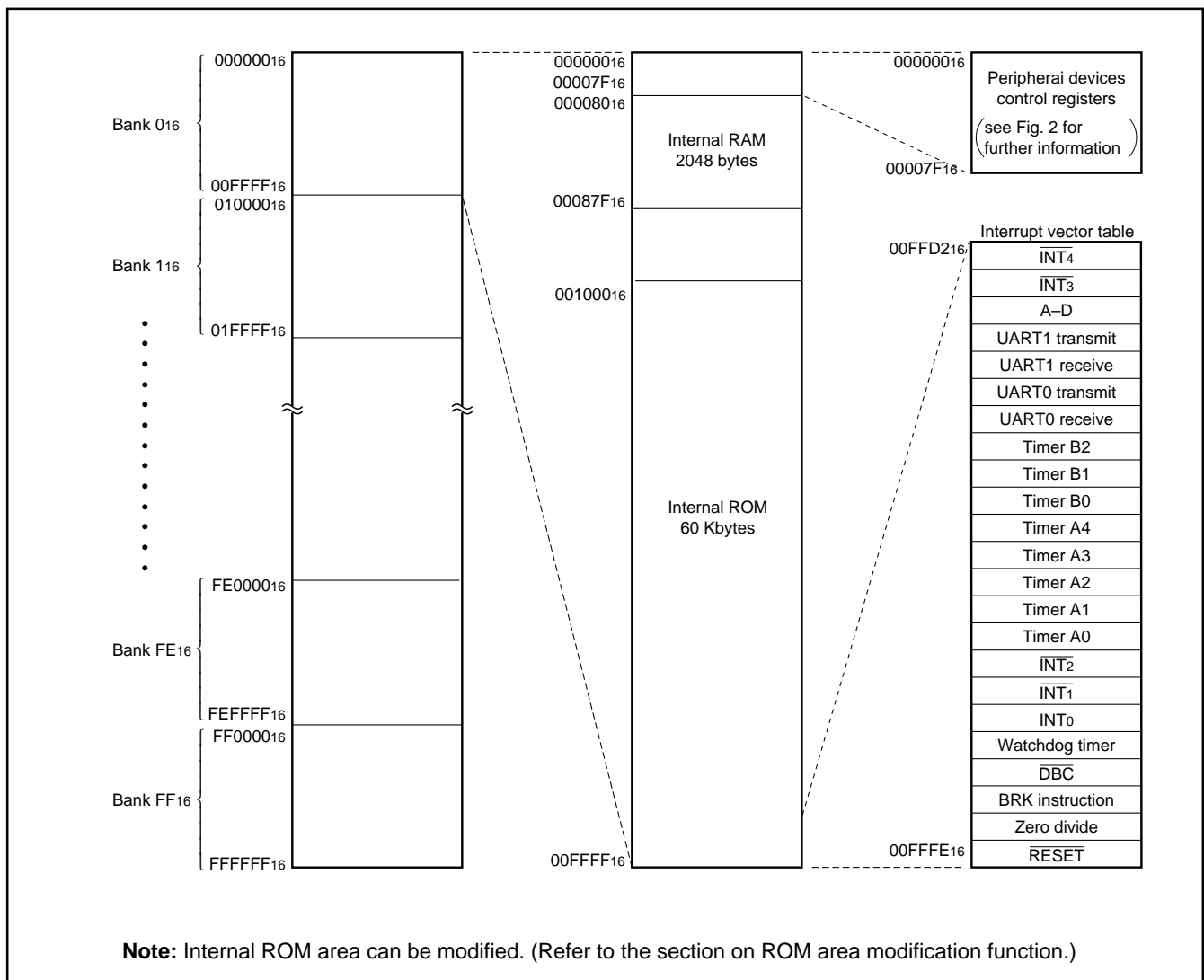


Fig. 1 Memory map

**PRELIMINARY**  
 Notice: This is not a final specification.  
 Some parametric limits are subject to change.

**MITSUBISHI MICROCOMPUTERS**  
**M37753M8C-XXXFP, M37753M8C-XXXHP**  
**M37753S4CFP, M37753S4CHP**

SINGLE-CHIP 16-BIT CMOS MICROCOMPUTER

Address (Hexadecimal notation)		Address (Hexadecimal notation)	
000000		000040	Count start register
000001		000041	
000002	Port P0 register	000042	One-shot start register
000003	Port P1 register	000043	
000004	Port P0 direction register	000044	Up-down register
000005	Port P1 direction register	000045	Timer A write register
000006	Port P2 register	000046	Timer A0 register
000007	Port P3 register	000047	
000008	Port P2 direction register	000048	Timer A1 register
000009	Port P3 direction register	000049	
00000A	Port P4 register	00004A	Timer A2 register
00000B	Port P5 register	00004B	
00000C	Port P4 direction register	00004C	Timer A3 register
00000D	Port P5 direction register	00004D	
00000E	Port P6 register	00004E	Timer A4 register
00000F	Port P7 register	00004F	
000010	Port P6 direction register	000050	Timer B0 register
000011	Port P7 direction register	000051	
000012	Port P8 register	000052	Timer B1 register
000013		000053	
000014	Port P8 direction register	000054	Timer B2 register
000015		000055	
000016		000056	Timer A0 mode register
000017		000057	Timer A1 mode register
000018		000058	Timer A2 mode register
000019		000059	Timer A3 mode register
00001A	Waveform output mode register	00005A	Timer A4 mode register
00001B	Dead-time timer	00005B	Timer B0 mode register
00001C	Pulse output data register 1	00005C	Timer B1 mode register
00001D	Pulse output data register 0	00005D	Timer B2 mode register
00001E	A-D control register 0	00005E	Processor mode register 0
00001F	A-D control register 1	00005F	Processor mode register 1
000020	A-D register 0	000060	Watchdog timer register
000021		000061	Watchdog timer frequency select register
000022	A-D register 1	000062	
000023		000063	
000024	A-D register 2	000064	Comparator function select register
000025		000065	Reserved area ( <b>Note</b> )
000026	A-D register 3	000066	Comparator result register
000027		000067	Reserved area ( <b>Note</b> )
000028	A-D register 4	000068	D-A register 0
000029		000069	
00002A	A-D register 5	00006A	D-A register 1
00002B		00006B	
00002C	A-D register 6	00006C	Particular function select register 0
00002D		00006D	Particular function select register 1
00002E	A-D register 7	00006E	INT <sub>4</sub> interrupt control register
00002F		00006F	INT <sub>3</sub> interrupt control register
000030	UART0 transmit/receive mode register	000070	A-D interrupt control register
000031	UART0 baud rate register	000071	UART0 transmit interrupt control register
000032	UART0 transmit buffer register	000072	UART0 receive interrupt control register
000033		000073	UART1 transmit interrupt control register
000034	UART0 transmit/receive control register 0	000074	UART1 receive interrupt control register
000035	UART0 transmit/receive control register 1	000075	Timer A0 interrupt control register
000036	UART0 receive buffer register	000076	Timer A1 interrupt control register
000037		000077	Timer A2 interrupt control register
000038	UART1 transmit/receive mode register	000078	Timer A3 interrupt control register
000039	UART1 baud rate register	000079	Timer A4 interrupt control register
00003A	UART1 transmit buffer register	00007A	Timer B0 interrupt control register
00003B		00007B	Timer B1 interrupt control register
00003C	UART1 transmit/receive control register 0	00007C	Timer B2 interrupt control register
00003D	UART1 transmit/receive control register 1	00007D	INT <sub>0</sub> interrupt control register
00003E	UART1 receive buffer register	00007E	INT <sub>1</sub> interrupt control register
00003F		00007F	INT <sub>2</sub> interrupt control register

**Note:** Do not write to this address.

Fig. 2 Location of peripheral devices and interrupt control registers

# M37753M8C-XXXFP, M37753M8C-XXXHP M37753S4CFP, M37753S4CHP

SINGLE-CHIP 16-BIT CMOS MICROCOMPUTER

**PRELIMINARY**  
Notice: This is not a final specification.  
Some parametric limits are subject to change.

## CENTRAL PROCESSING UNIT (CPU)

The CPU has ten registers and is shown in Figure 3. Each of these registers is described below.

### ACCUMULATOR A (A)

Accumulator A is the main register of the microcomputer. It consists of 16 bits and the low-order 8 bits can be used separately. The data length flag m determines whether the register is used as 16-bit register or as 8-bit register. It is used as a 16-bit register when flag m is "0" and as an 8-bit register when flag m is "1". Flag m is a part of the processor status register (PS) which is described later.

Data operations such as calculations, data transfer, input/output, etc., is executed mainly through the accumulator.

### ACCUMULATOR B (B)

Accumulator B has the same functions as accumulator A, but the use of accumulator B requires more instruction bytes and execution cycles than accumulator A.

### INDEX REGISTER X (X)

Index register X consists of 16 bits and the low-order 8 bits can be used separately. The index register length flag x determines whether the register is used as 16-bit register or as 8-bit register. It is used as a 16-bit register when flag x is "0" and as an 8-bit register when flag x is "1". Flag x is a part of the processor status register (PS) which is described later.

In index addressing mode, register X is used as the index register and the contents of this address is added to obtain the real address. Index register X functions as a pointer register which indicates an address of data table in instructions MVP, MVN, RMPA (Repeat MultiPly and Accumulate).

### INDEX REGISTER Y (Y)

Index register Y consists of 16 bits and the low-order 8 bits can be used separately. The index register length flag x determines whether the register is used as 16-bit register or as 8-bit register. It is used as a 16-bit register when flag x is "0" and as an 8-bit register when flag x is "1". Flag x is a part of the processor status register (PS) which is described later.

In index addressing mode, register Y is used as the index register and the contents of this address is added to obtain the real address. Index register Y functions as a pointer register which indicates an address of data table in instructions MVP, MVN, RMPA (Repeat MultiPly and Accumulate).

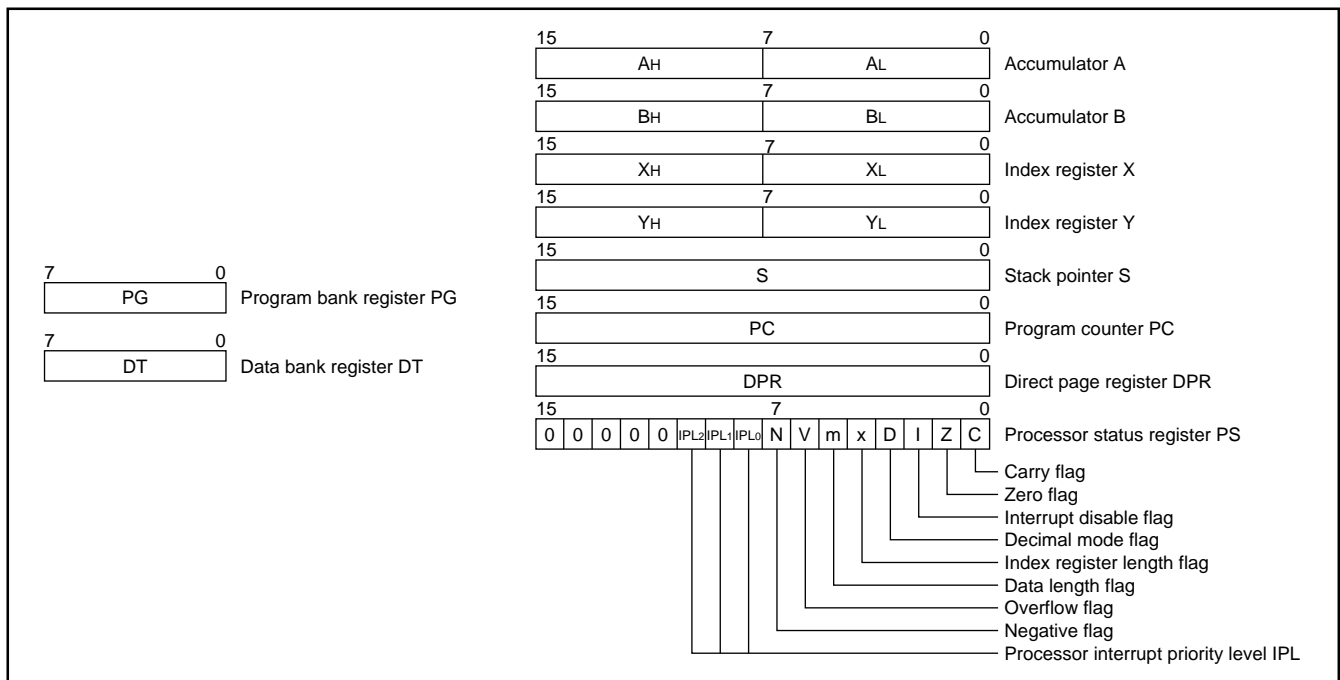


Fig. 3 Register structure



# M37753M8C-XXXFP, M37753M8C-XXXHP M37753S4CFP, M37753S4CHP

SINGLE-CHIP 16-BIT CMOS MICROCOMPUTER

**PRELIMINARY**  
Notice: This is not a final specification.  
Some parametric limits are subject to change.

## STACK POINTER (S)

Stack pointer (S) is a 16-bit register. It is used during a subroutine call or interrupts. It is also used during stack, stack pointer relative, or stack pointer relative indirect indexed Y addressing mode.

## PROGRAM COUNTER (PC)

Program counter (PC) is a 16-bit counter that indicates the low-order 16 bits of the next program memory address to be executed. There is a bus interface unit between the program memory and the CPU, so that the program memory is accessed through bus interface unit. This is described later.

## PROGRAM BANK REGISTER (PG)

Program bank register is an 8-bit register that indicates the high-order 8 bits of the next program memory address to be executed. When a carry occurs by incrementing the contents of the program counter, the contents of the program bank register (PG) is increased by 1. Also, when a carry or borrow occurs after adding or subtracting the offset value to or from the contents of the program counter (PC) using the branch instruction, the contents of the program bank register (PG) is increased or decreased by 1, so that programs can be written without worrying about bank boundaries.

## DATA BANK REGISTER (DT)

Data bank register (DT) is an 8-bit register. With some addressing modes, the data bank register (DT) is used to specify a part of the memory address. The contents of data bank register (DT) is used as the high-order 8 bits of a 24-bit address. Addressing modes that use the data bank register (DT) are direct indirect, direct indexed X indirect, direct indirect indexed Y, absolute, absolute bit, absolute indexed X, absolute indexed Y, absolute bit relative, and stack pointer relative indirect indexed Y.

## DIRECT PAGE REGISTER (DPR)

Direct page register (DPR) is a 16-bit register. Its contents is used as the base address of a 256-byte direct page area. The direct page area is allocated in bank 0<sub>16</sub>, but when the contents of DPR is FF0<sub>16</sub> or greater, the direct page area spans across bank 0<sub>16</sub> and bank 1<sub>16</sub>. All direct addressing modes use the contents of the direct page register (DPR) to generate the data address. If the low-order 8 bits of the direct page register (DPR) is "00<sub>16</sub>", the number of cycles required to generate an address is minimized.

Normally the low-order 8 bits of the direct page register (DPR) is set to "00<sub>16</sub>".

## PROCESSOR STATUS REGISTER (PS)

Processor status register (PS) is an 11-bit register. It consists of a flag to indicate the result of operation and CPU interrupt levels.

Branch operations can be performed by testing the flags C, Z, V, and N.

The details of each bit of the processor status register are described below.

### 1. Carry flag (C)

The carry flag contains the carry or borrow generated by the ALU after an arithmetic operation. This flag is also affected by shift and rotate instructions. This flag can be set and reset directly with the SEC and CLC instructions or with the SEP and CLP instructions.

### 2. Zero flag (Z)

The zero flag is set if the result of an arithmetic operation or data transfer is zero and reset if it is not. This flag can be set and reset directly with the SEP and CLP instructions.

### 3. Interrupt disable flag (I)

When the interrupt disable flag is set to "1", all interrupts except watchdog timer, DBC, and software interrupt are disabled. This flag is set to "1" automatically when there is an interrupt. It can be set and reset directly with the SEI and CLI instructions or SEP and CLP instructions.

### 4. Decimal mode flag (D)

The decimal mode flag determines whether addition and subtraction are performed as binary or decimal. Binary arithmetic is performed when this flag is "0". If it is "1", decimal arithmetic is performed with each word treated as 2- or 4- digit decimal. Arithmetic operation is performed using four digits when the data length flag m is "0" and with two digits when it is "1". Decimal adjust is automatically performed. (Decimal operation is possible only with the ADC and SBC instructions.) This flag can be set and reset with the SEP and CLP instructions.

# M37753M8C-XXXFP, M37753M8C-XXXHP M37753S4CFP, M37753S4CHP

SINGLE-CHIP 16-BIT CMOS MICROCOMPUTER

**PRELIMINARY**  
Notice: This is not a final specification.  
Some parametric limits are subject to change.

## 5. Index register length flag (x)

The index register length flag determines whether index register X and index register Y are used as 16-bit registers or as 8-bit registers. The registers are used as 16-bit registers when flag x is "0" and as 8-bit registers when it is "1".

This flag can be set and reset with the SEP and CLP instructions.

## 6. Data length flag (m)

The data length flag determines whether the data length is 16-bit or 8-bit. The data length is 16-bit when flag m is "0" and 8-bit when it is "1". This flag can be set and reset with the SEM and CLM instructions or with the SEP and CLP instructions.

## 7. Overflow flag (V)

The overflow flag is valid when addition or subtraction is performed with a word treated as a signed binary number. If data length flag m is "0", the overflow flag is set when the result of addition or subtraction is outside the range between -32768 and +32767. If data length flag m is "1", the overflow flag is set when the result of addition or subtraction is outside the range between -128 and +127. It is reset in all other cases. The overflow flag can also be set and reset directly with the SEP, and CLV or CLP instructions.

Additionally, the overflow flag is set when a result of unsigned/signed division exceeds the length of the register where the result is to be stored; the flag is also set when the addition result is outside range of -2147483648 to +2147483647 in the RMPA operation.

## 8. Negative flag (N)

The negative flag is set when the result of arithmetic operation or data transfer is negative (If data length flag m is "0", data's bit 15 is "1". If data length flag m is "1", data's bit 7 is "1".) It is reset in all other cases. It can also be set and reset with the SEP and CLP instructions.

## 9. Processor interrupt priority level (IPL)

The processor interrupt priority level (IPL) consists of 3 bits and determines the priority of processor interrupts from level 0 to level 7. Interrupt is enabled when the interrupt priority of the device requesting interrupt (set using the interrupt control register) is higher than the processor interrupt priority. When interrupt is enabled, the current processor interrupt priority level is saved in a stack and the processor interrupt priority level is replaced by the interrupt priority level of the device requesting the interrupt. Refer to the section on interrupts for more details.

**Note:** Fix bits 11 to 15 of the processor status register (PS) to "0".

## BUS INTERFACE UNIT

The CPU operates on the basis of internal clock  $\phi$  CPU frequency. In order to speed-up processing, a bus interface unit is used to pre-fetch instructions when the data bus is idle. The bus interface unit synchronizes the CPU and the bus and pre-fetches instructions. Figure 4 shows the relationship between the CPU and the bus interface unit.

The bus interface unit controls buses to access memories easily. Refer to BUS CYCLE on the following pages. The bus interface unit has a program address register, a 3-byte instruction queue buffer, a data address register, and a 2-byte data buffer.

The bus interface unit obtains an instruction code from memory and stores it in the instruction queue buffer, obtains data from memory and stores it in the data buffer, or writes the data from the data buffer to the memory.

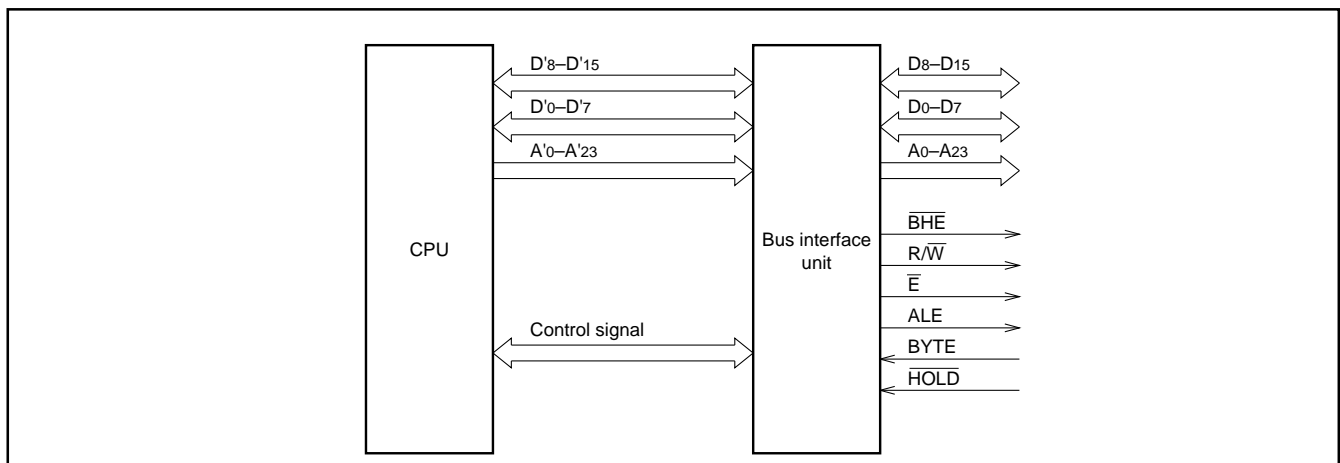


Fig. 4 Relationship between the CPU and the bus interface unit

Figure 5 shows basic waveforms of the bus interface unit. The  $\bar{E}$  signal becomes "L" when the bus interface unit reads an instruction code or data from memory or when it writes data to memory. Whether to perform read or write is controlled by the  $R/\bar{W}$  signal. Read is performed when the  $R/\bar{W}$  signal is "H" state and write is performed when it is "L" state.

Waveform (1) in Figure 5 is used to access a single byte or two bytes simultaneously. To read or write two bytes simultaneously, the first address accessed must be even. Furthermore, when accessing an

external memory area in memory expansion mode or microprocessor mode, set the bus width select input pin (BYTE) to "L" (external data bus width = 16 bits). The internal memory area is always treated as 16-bit bus width regardless of BYTE.

When performing 16-bit data read or write, if the conditions for simultaneously accessing two bytes are not satisfied, waveform (2) is used to access each byte, one by one.

However, when prefetching the instruction code, if the address of the instruction code is odd, only one byte is read in the instruction queue buffer.

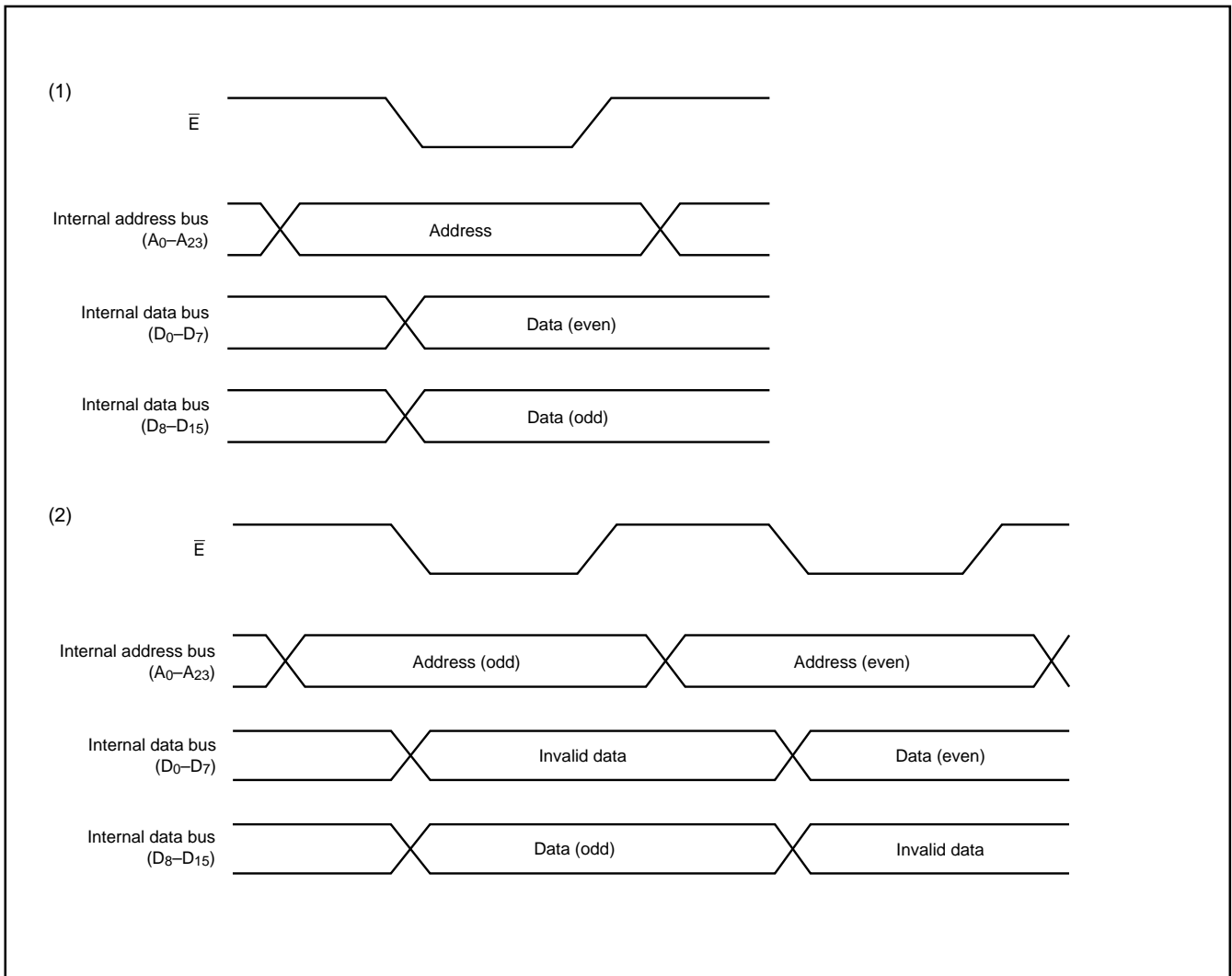


Fig. 5 Basic waveforms of bus interface unit

# M37753M8C-XXXFP, M37753M8C-XXXHP M37753S4CFP, M37753S4CHP

SINGLE-CHIP 16-BIT CMOS MICROCOMPUTER

**PRELIMINARY**  
Notice: This is not a final specification.  
Some parametric limits are subject to change.

Instruction code read, data read, and data write are described below. Instruction code read will be described first.

The CPU obtains instruction codes from the instruction queue buffer and executes them. The CPU notifies the bus interface unit that CPU is requesting an instruction code during an instruction code request cycle. If the requested instruction code is not yet stored in the instruction queue buffer, the bus interface unit halts the CPU until it can store more instructions than requested in the instruction queue buffer.

Even if there is no instruction code request from the CPU, the bus interface unit reads instruction codes from memory and stores them in the instruction queue buffer when the instruction queue buffer is empty or when only one instruction code is stored and the bus is idle on the next cycle.

This is referred to as instruction pre-fetching.

Normally, when reading an instruction code from memory, if the accessed address is even, the next odd address is read together with the instruction code and stored in the instruction queue buffer.

However, in memory expansion mode or microprocessor mode, if the bus width select input (BYTE) is "H" and external data bus width is 8 bits, and if the address to be read is in external memory area or is odd, only one byte is read and stored in the instruction queue buffer.

Data read and write are described below.

The CPU notifies the bus interface unit when performing data read or write. At this time, the bus interface unit halts the CPU if the bus interface unit is already using the bus or if there is a request with higher priority. When data read or write is enabled, the bus interface unit performs data read or write.

During data read, the CPU waits until the entire data is stored in the data buffer. The bus interface unit sends the address sent from the CPU to the address bus. Then it reads the memory when the  $\bar{E}$  signal is "L" and stores the result in the data buffer.

During data write, the CPU writes the data in the data buffer and the bus interface unit writes it to memory. Therefore, the CPU can proceed to the next step without waiting for write to complete. The bus interface unit sends the address sent from the CPU to the address bus. Then, when the  $\bar{E}$  signal is "L", the bus interface unit sends the data in the data buffer to the data bus and writes it to memory.

## BUS CYCLE

The M37753M8C-XXXFP can select bus cycles shown in Figures 6 and 7.

Central processing unit (CPU) running speed can be selected from low-speed running (clock  $\phi_1 \leq 12.5$  MHz) and high-speed running (clock  $\phi_1 \leq 20$  MHz); it is selected by bit 3 of processor mode register 1 (see Figure 9).

When accessing the external memory, the bus cycle is selected by bits 4 and 5 of processor mode register 1.

When accessing the internal memory, the bus cycle is selected by bit 2 of processor mode register 0 (see Figure 14).

Figure 8 shows output signals at 3- $\phi$  access in high-speed running. The  $\bar{BHE}$  signal becomes "L" when accessing the odd address.

Signals  $A_0$  and  $\bar{BHE}$  indicate the differences between 1-byte read in even address, 1-byte read in odd address, and simultaneous 2-byte read in even and odd address; these signals also indicate the differences between 1-byte write in even address, 1-byte write in odd address, and simultaneous 2-byte write in even and odd address.

The  $A_0$  signal, which is bit 0 of address, becomes "L" when accessing an even address.

Table 1. Signals  $A_0$  and  $\bar{BHE}$

Access method Signal	Simultaneous access of 2 bytes	Access of 1 byte in even address	Access of 1 byte in odd address
$A_0$	"L"	"L"	"H"
$\bar{BHE}$	"L"	"H"	"L"

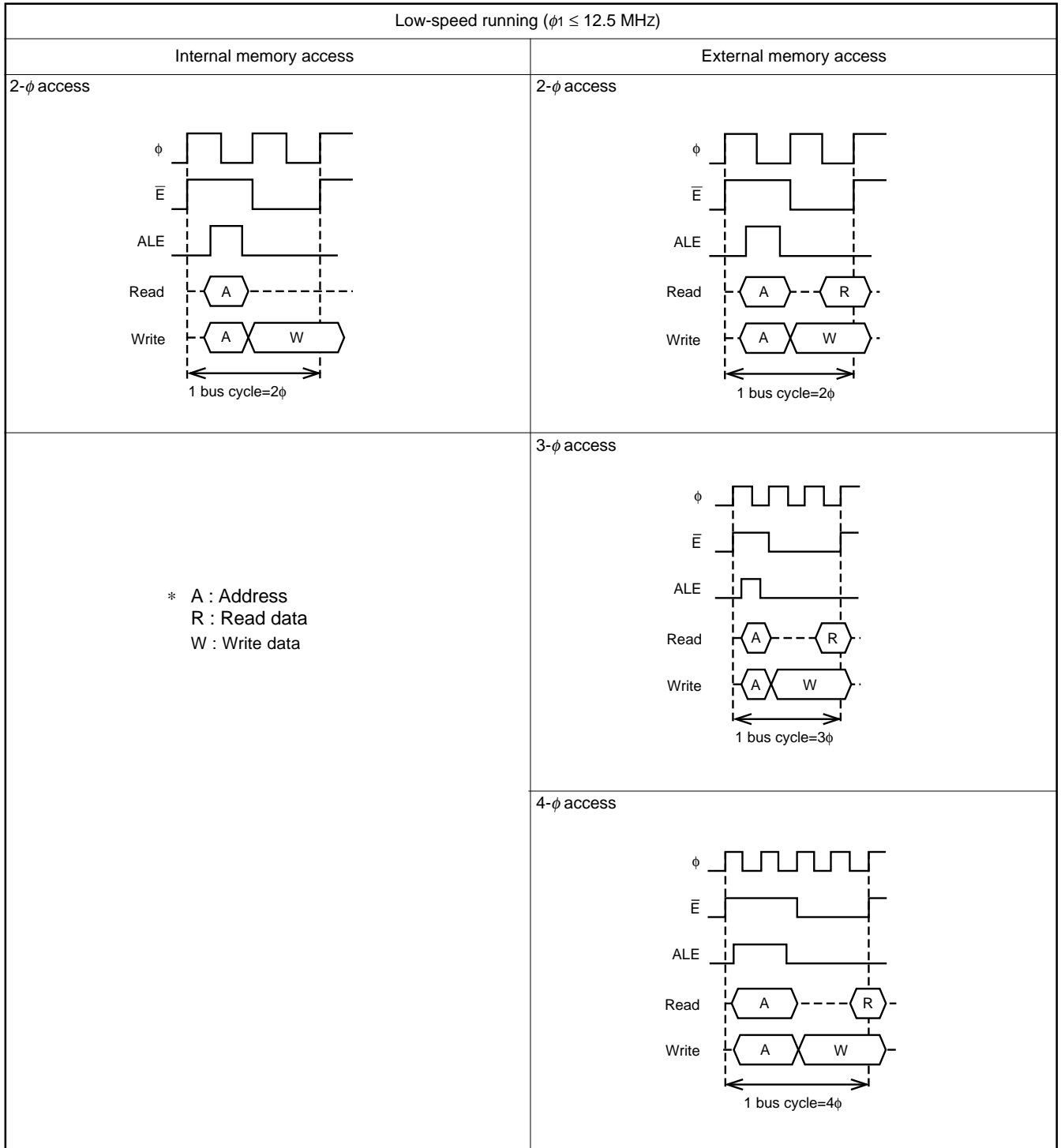


Fig. 6 Bus cycle selection (low-speed running)

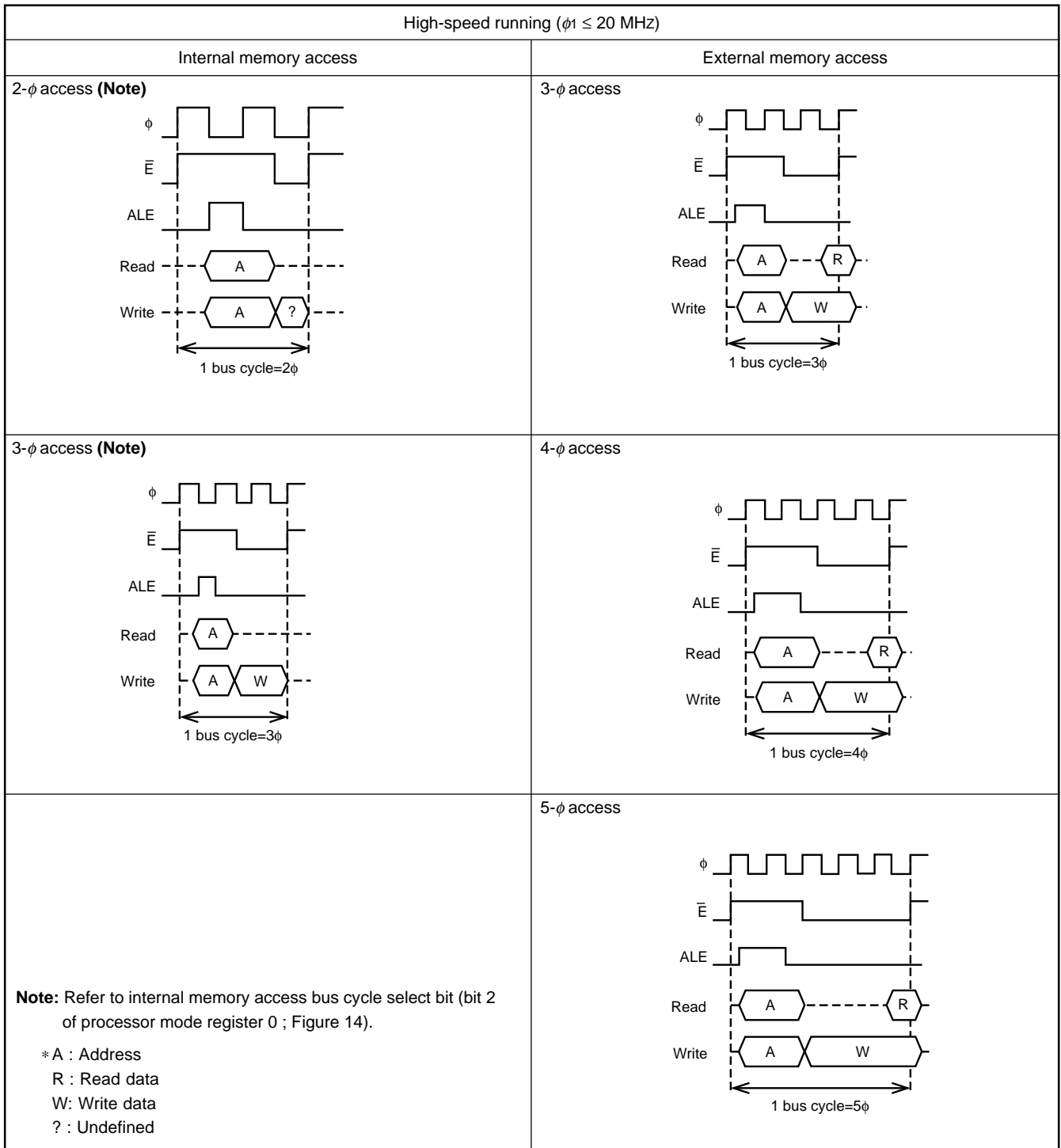
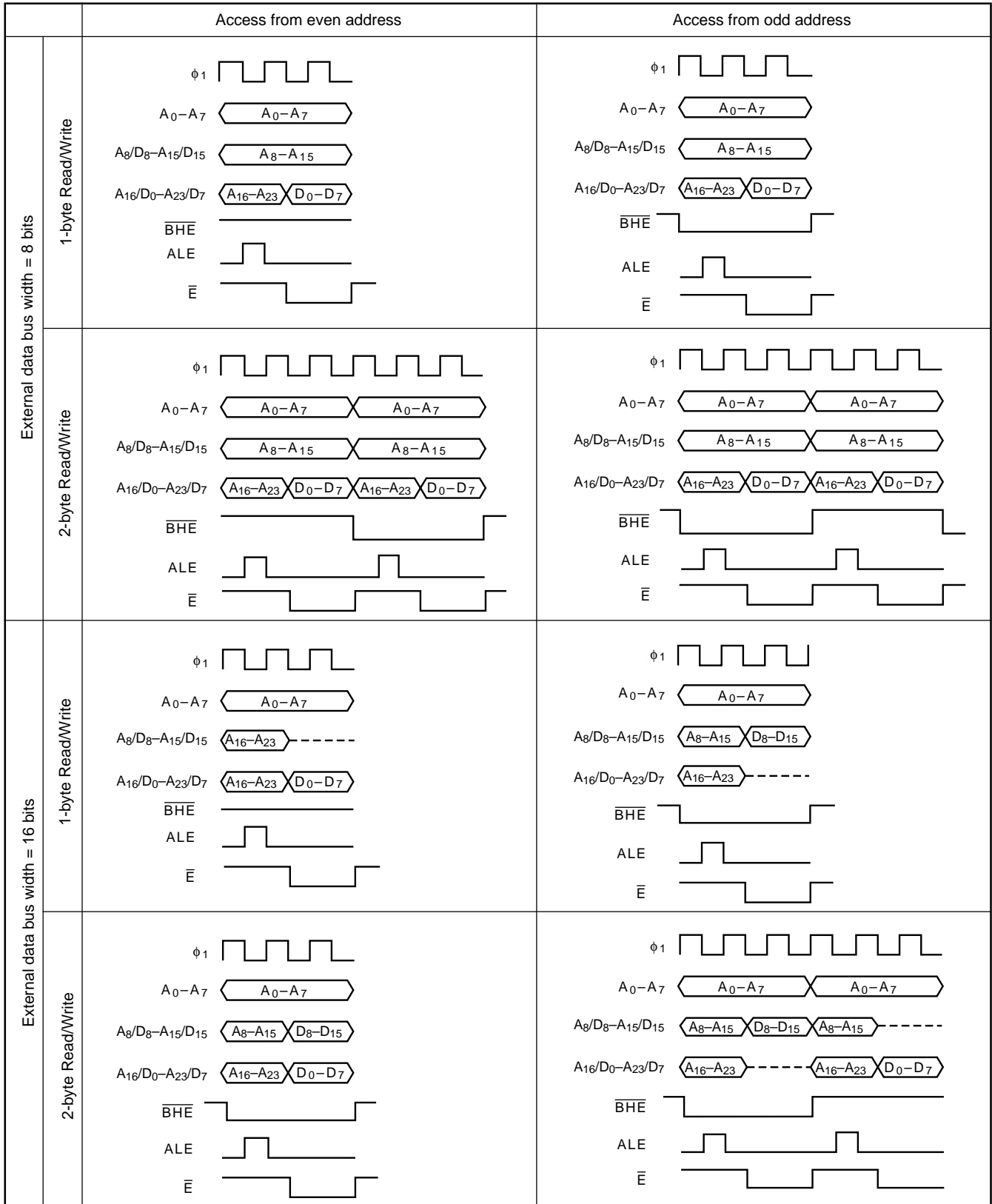


Fig. 7 Bus cycle selection (high-speed running)

**PRELIMINARY**  
 Notice: This is not a final specification.  
 Some parametric limits are subject to change.

MITSUBISHI MICROCOMPUTERS  
**M37753M8C-XXXFP, M37753M8C-XXXHP**  
**M37753S4CFP, M37753S4CHP**

SINGLE-CHIP 16-BIT CMOS MICROCOMPUTER



Note: It becomes Hi-Z when reading, and it outputs undefined data when writing.

Fig. 8 Output signals at 3-φ access in high-speed running

**PRELIMINARY**  
 Notice: This is not a final specification.  
 Some parametric limits are subject to change.

MITSUBISHI MICROCOMPUTERS  
**M37753M8C-XXXFP, M37753M8C-XXXHP**  
**M37753S4CFP, M37753S4CHP**

SINGLE-CHIP 16-BIT CMOS MICROCOMPUTER

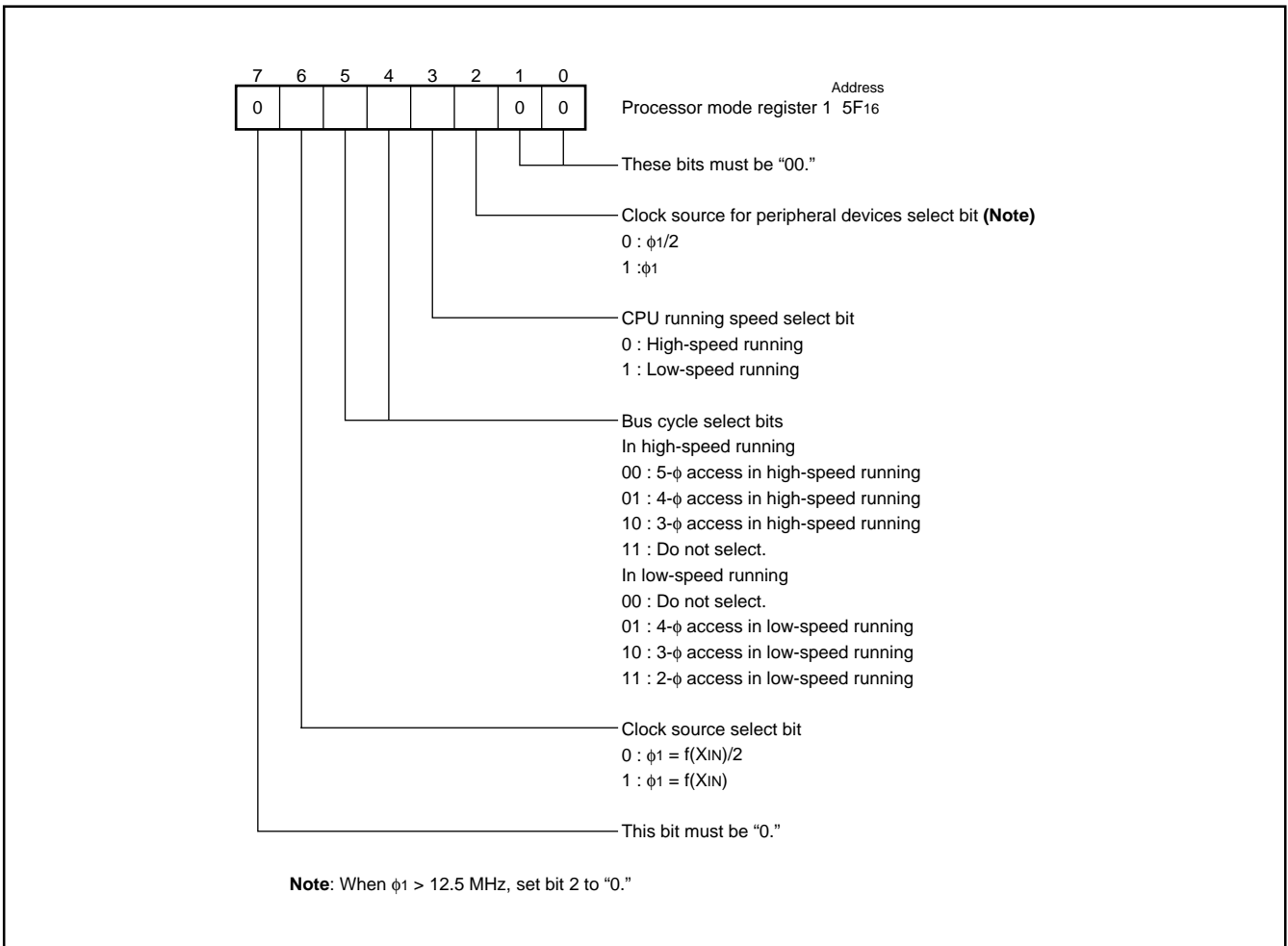


Fig. 9 Processor mode register 1 bit configuration



**M37753M8C-XXXFP, M37753M8C-XXXHP  
 M37753S4CFP, M37753S4CHP**

SINGLE-CHIP 16-BIT CMOS MICROCOMPUTER

**INTERRUPTS**

Table 2 shows the interrupt types and the corresponding interrupt vector addresses. Reset is also treated as a type of interrupt and is discussed in this section, too.

DBC is an interrupt used during debugging.

Interrupts other than reset, DBC, watchdog timer, zero divide, and BRK instruction all have interrupt control registers. Table 3 shows the addresses of the interrupt control registers and Figure 10 shows the bit configuration of the interrupt control register.

The interrupt request bit is automatically cleared by the hardware during reset or when processing an interrupt. Also, interrupt request bits other than  $\overline{INT0}$  and watchdog timer can be cleared by software.  $\overline{INT4}$  to  $\overline{INT0}$  are external interrupts; whether to cause an interrupt at the input level (level sense) or at the edge (edge sense) can be selected with the level/edge select bit. Furthermore, the polarity of the interrupt input can be selected with the polarity select bit.

In the  $\overline{INT3}$  external interrupt, the  $\overline{INT3}$  input,  $KI3$  to  $KI0$  inputs, or  $KI4$  to  $KI0$  inputs can be selected with bits 7 and 6 of  $\overline{INT3}$  interrupt control register.

Timer and UART interrupts are described in the respective section. The priority of interrupts when multiple interrupts are caused simultaneously is partially fixed by hardware, but, it can also be adjusted by software as shown in Figure 11.

The hardware priority is fixed as the following:

reset > DBC > watchdog timer > other interrupts

Table 2. Interrupt types and the interrupt vector addresses

Interrupts	Vector addresses
$\overline{INT4}$ external interrupt	00FFD2 <sub>16</sub> 00FFD3 <sub>16</sub>
$\overline{INT3}$ external interrupt	00FFD4 <sub>16</sub> 00FFD5 <sub>16</sub>
A-D	00FFD6 <sub>16</sub> 00FFD7 <sub>16</sub>
UART1 transmit	00FFD8 <sub>16</sub> 00FFD9 <sub>16</sub>
UART1 receive	00FFDA <sub>16</sub> 00FFDB <sub>16</sub>
UART0 transmit	00FFDC <sub>16</sub> 00FFDD <sub>16</sub>
UART0 receive	00FFDE <sub>16</sub> 00FFDF <sub>16</sub>
Timer B2	00FFE0 <sub>16</sub> 00FFE1 <sub>16</sub>
Timer B1	00FFE2 <sub>16</sub> 00FFE3 <sub>16</sub>
Timer B0	00FFE4 <sub>16</sub> 00FFE5 <sub>16</sub>
Timer A4	00FFE6 <sub>16</sub> 00FFE7 <sub>16</sub>
Timer A3	00FFE8 <sub>16</sub> 00FFE9 <sub>16</sub>
Timer A2	00FFEA <sub>16</sub> 00FFEB <sub>16</sub>
Timer A1	00FFEC <sub>16</sub> 00FFED <sub>16</sub>
Timer A0	00FEE0 <sub>16</sub> 00FEE1 <sub>16</sub>
$\overline{INT2}$ external interrupt	00FFF0 <sub>16</sub> 00FFF1 <sub>16</sub>
$\overline{INT1}$ external interrupt	00FFF2 <sub>16</sub> 00FFF3 <sub>16</sub>
$\overline{INT0}$ external interrupt	00FFF4 <sub>16</sub> 00FFF5 <sub>16</sub>
Watchdog timer	00FFF6 <sub>16</sub> 00FFF7 <sub>16</sub>
DBC (Do not select.)	00FFF8 <sub>16</sub> 00FFF9 <sub>16</sub>
Break instruction	00FFFA <sub>16</sub> 00FFFB <sub>16</sub>
Zero divide	00FFFC <sub>16</sub> 00FFFD <sub>16</sub>
Reset	00FFFE <sub>16</sub> 00FFFF <sub>16</sub>

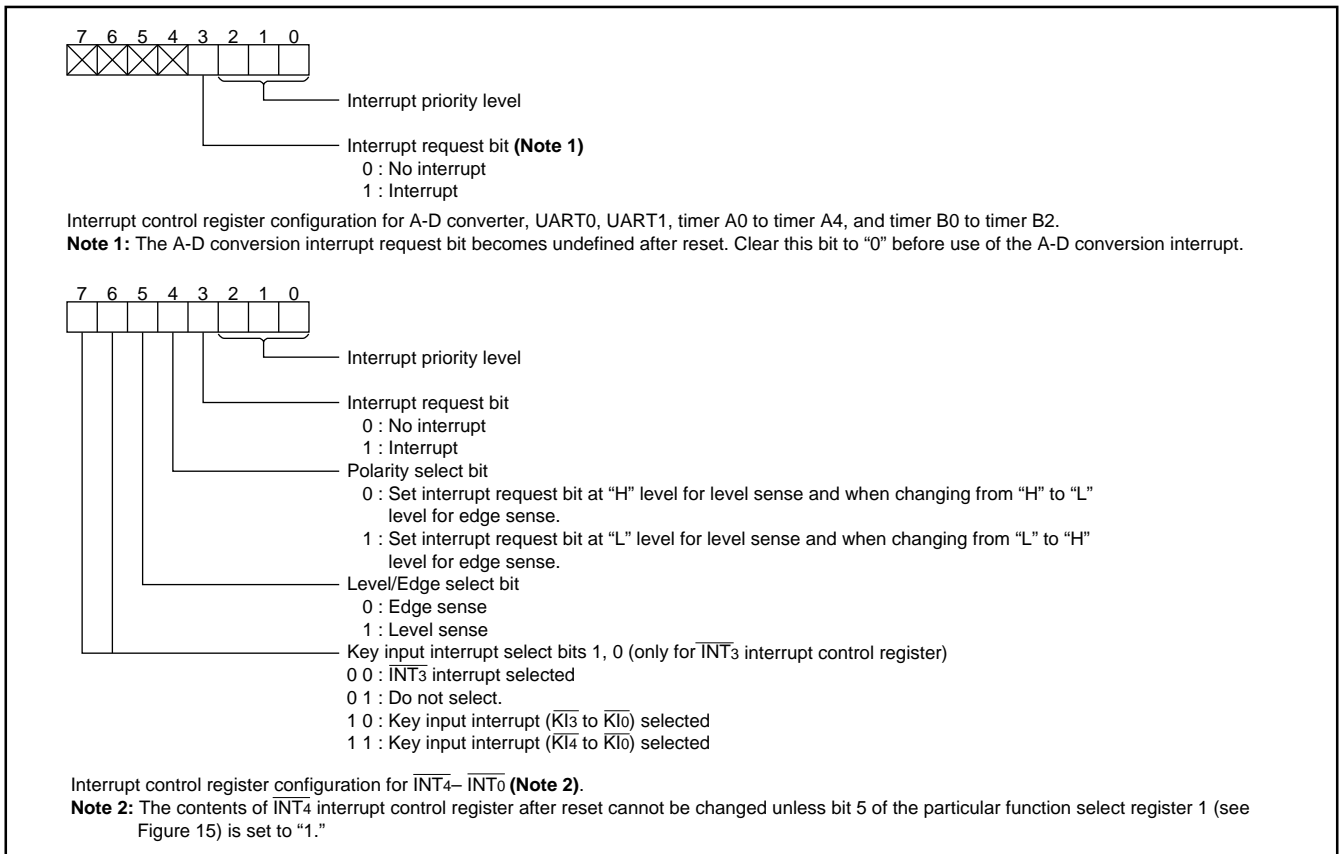


Fig. 10 Interrupt control register bit configuration

**M37753M8C-XXXFP, M37753M8C-XXXHP**  
**M37753S4CFP, M37753S4CHP**

SINGLE-CHIP 16-BIT CMOS MICROCOMPUTER

**PRELIMINARY**  
 Notice: This is not a final specification.  
 Some parametric limits are subject to change.

Table 3. Addresses of interrupt control registers

Interrupt control registers	Addresses
INT4 interrupt control register	00006E16
INT3 interrupt control register	00006F16
A-D interrupt control register	00007016
UART0 transmit interrupt control register	00007116
UART0 receive interrupt control register	00007216
UART1 transmit interrupt control register	00007316
UART1 receive interrupt control register	00007416
Timer A0 interrupt control register	00007516
Timer A1 interrupt control register	00007616
Timer A2 interrupt control register	00007716
Timer A3 interrupt control register	00007816
Timer A4 interrupt control register	00007916
Timer B0 interrupt control register	00007A16
Timer B1 interrupt control register	00007B16
Timer B2 interrupt control register	00007C16
INT0 interrupt control register	00007D16
INT1 interrupt control register	00007E16
INT2 interrupt control register	00007F16

Interrupts caused by a BRK instruction and when dividing by zero are software interrupts and are not included in this list.

Other interrupts previously mentioned are A-D converter, UART, etc. interrupts. The priority of these interrupts can be changed by changing the priority level in the corresponding interrupt control register by software.

Figure 12 shows a diagram of the interrupt priority detection circuit. When an interrupt is caused, each interrupt device compares its own priority with the priority from above and if its own priority is higher, then it sends the priority below and requests the interrupt. If the priorities are the same, the one above has priority.

This comparison is repeated to select the interrupt with the highest priority among the interrupts that are being requested. Finally the selected interrupt is compared with the processor interrupt priority level (IPL) contained in the processor status register (PS) and the request is accepted if it is higher than IPL and the interrupt disable flag I is "0". The request is not accepted if flag I is "1". The reset, DBC, and watchdog timer interrupts are not affected by the interrupt disable flag I.

When an interrupt is accepted, the contents of the processor status register (PS) is saved to the stack and the interrupt disable flag I is set to "1".

Furthermore, the interrupt request bit of the accepted interrupt is cleared to "0" and the processor interrupt priority level (IPL) in the processor status register (PS) is replaced by the priority level of the accepted interrupt.

Therefore, multi-level priority interrupts are possible by resetting the interrupt disable flag I to "0" and enable further interrupts.

For reset, DBC, watchdog timer, zero divide, and BRK instruction interrupts, which do not have an interrupt control register, the processor interrupt level (IPL) is set as shown in Table 4.

The interrupt request bit and the interrupt priority level of each interrupt source are sampled and latched at each operation code fetch cycle while  $\phi_{BIU}$  is "H". However, no sampling pulse is generated until the cycles whose number is selected by software has passed, even if the next operation code fetch cycle is generated. The detection of an interrupt which has the highest priority is performed during that time.

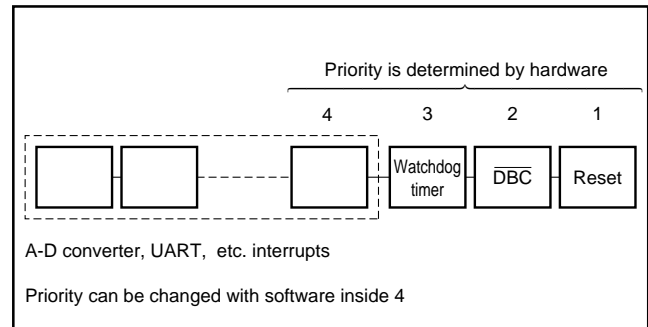


Fig. 11 Interrupt priority

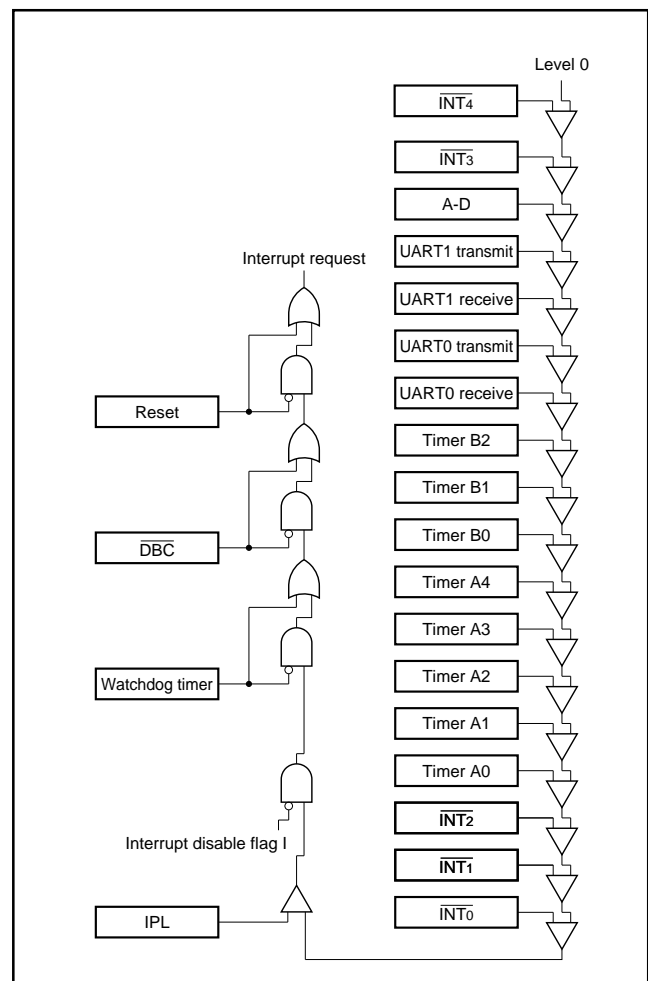


Fig. 12 Interrupt priority detection

**PRELIMINARY**  
 Notice: This is not a final specification.  
 Some parametric limits are subject to change.

**MITSUBISHI MICROCOMPUTERS**  
**M37753M8C-XXXFP, M37753M8C-XXXHP**  
**M37753S4CFP, M37753S4CHP**

SINGLE-CHIP 16-BIT CMOS MICROCOMPUTER

As shown in Figure 13, there are three different interrupt priority detection time from which one is selected by software. After the selected time has elapsed, the highest priority is determined and is processed after the currently executing instruction has been completed.

The time is selected with bits 4 and 5 of the processor mode register 0 (address 5E16) shown in Figure 14. Table 5 shows the relationship between these bits and the number of cycles. After a reset, the processor mode register 0 is initialized to "0016." Therefore, the longest time is automatically set, however, the shortest time must be selected by software.

Table 4. Value set in processor interrupt level (IPL) during an interrupt

Interrupt types	Setting value
Reset	0
$\overline{DBC}$	7
Watchdog timer	7
Zero divide	Not change value of IPL.
BRK instruction	Not change value of IPL.

Table 5. Relationship between interrupt priority detection time select bit and number of cycles

Priority detection time select bit		Number of cycles
Bit 5	Bit 4	
0	0	7 cycles of $\phi$ BIU
0	1	4 cycles of $\phi$ BIU
1	0	2 cycles of $\phi$ BIU

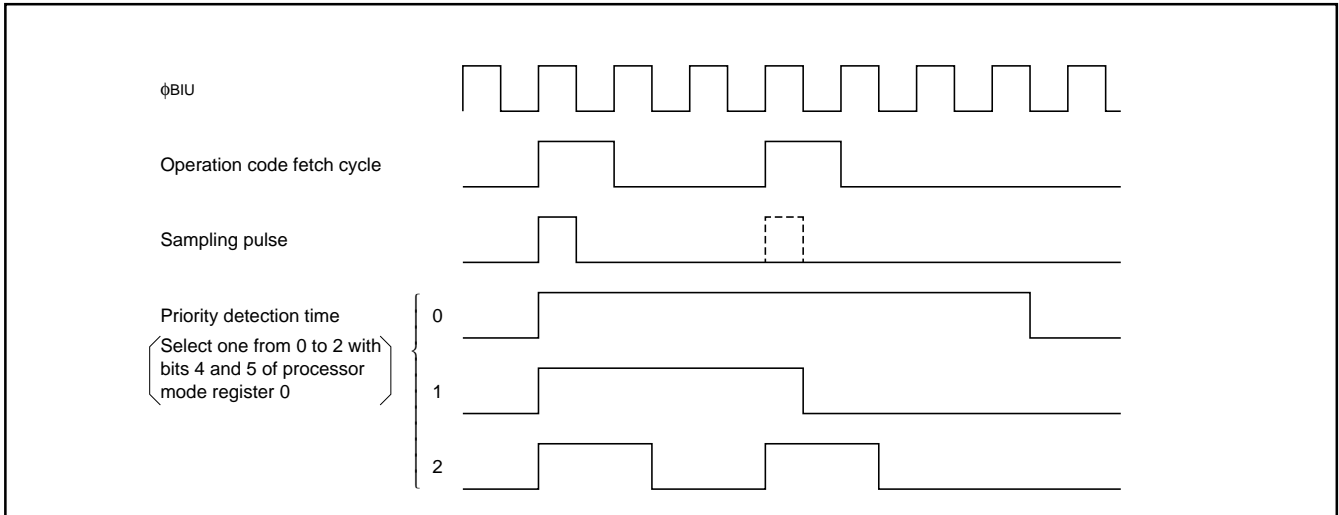


Fig. 13 Interrupt priority detection time

M37753M8C-XXXFP, M37753M8C-XXXHP  
M37753S4CFP, M37753S4CHP

SINGLE-CHIP 16-BIT CMOS MICROCOMPUTER

**PRELIMINARY**  
Notice: This is not a final specification.  
Some parametric limits are subject to change.

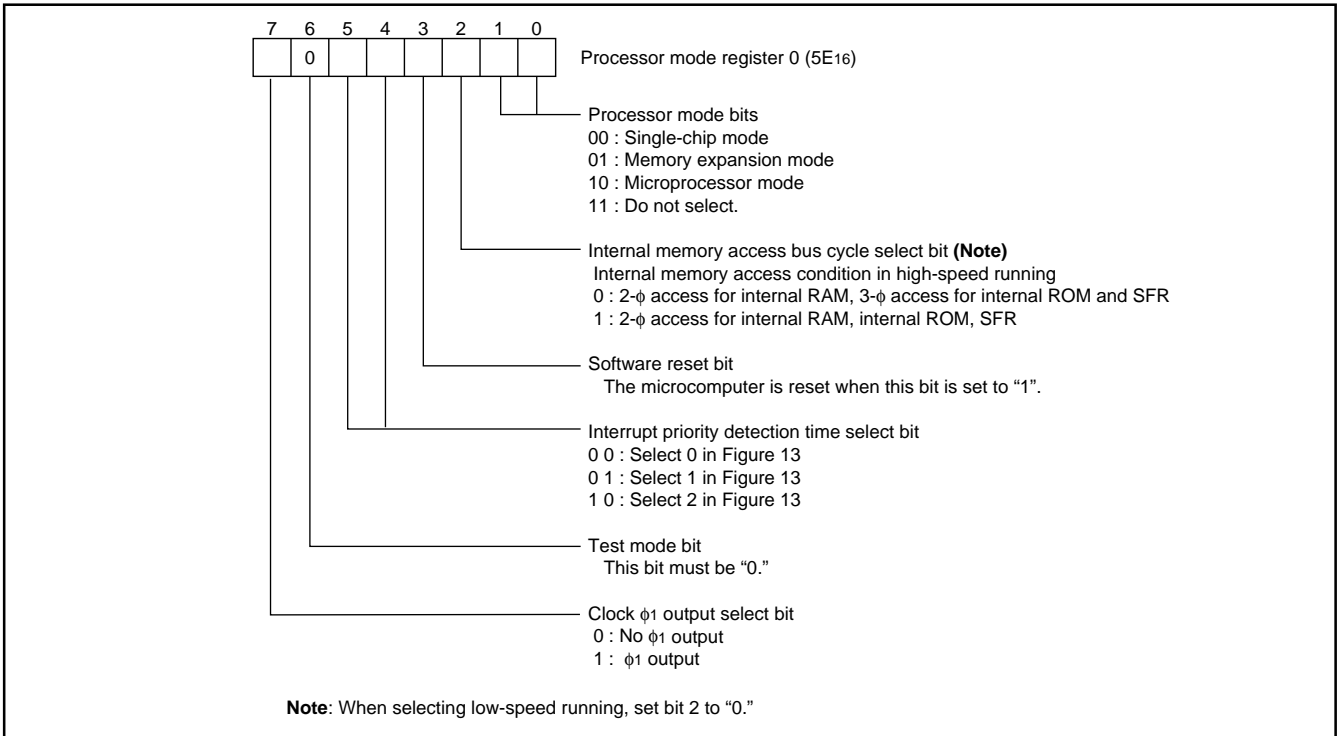


Fig. 14 Processor mode register 0 bit configuration

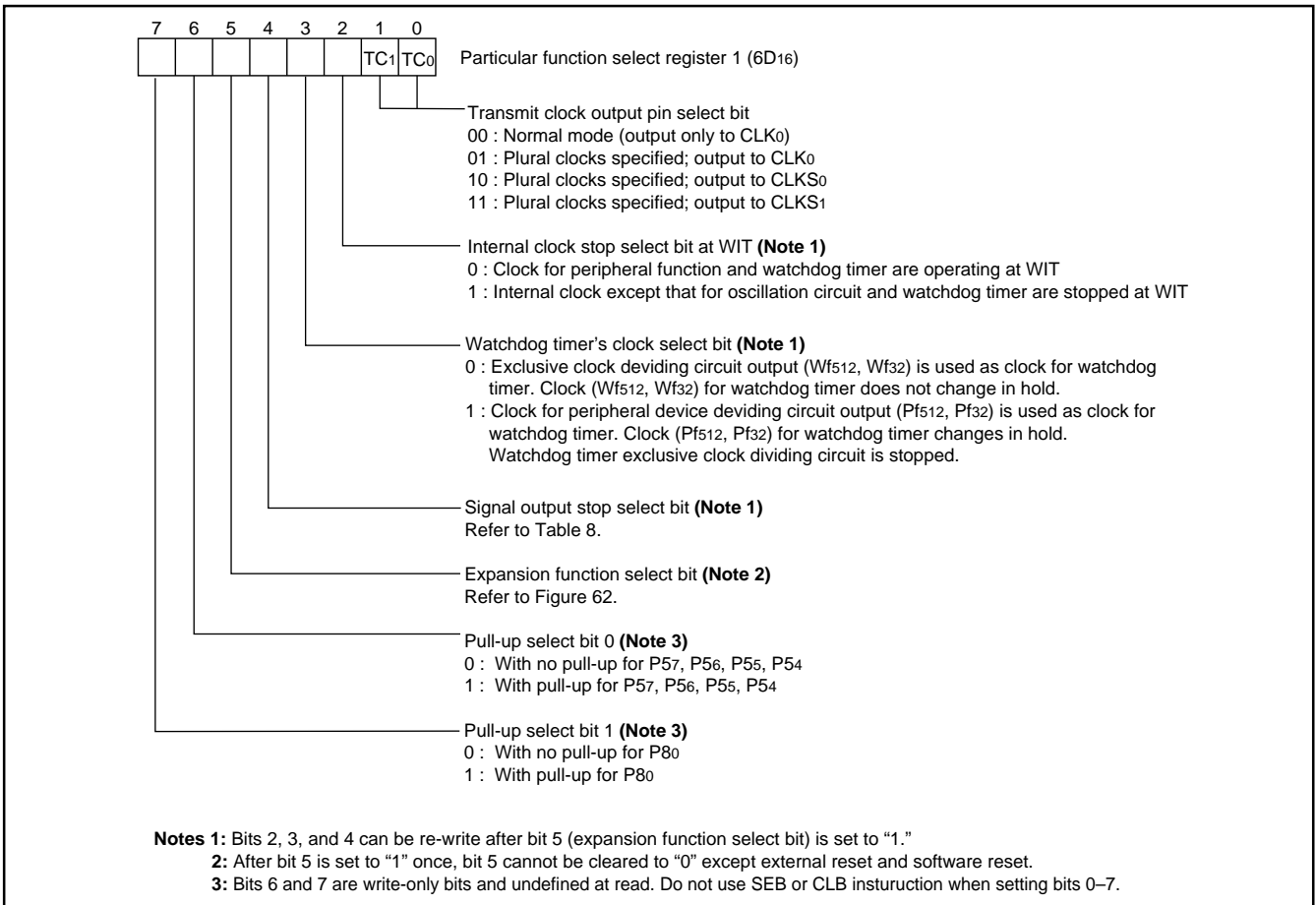


Fig. 15 Processor mode register 0 bit configuration

The  $\overline{\text{INT3}}$  interrupt can function as the key input interrupt by setting bits 7 and 6 of the  $\overline{\text{INT3}}$  interrupt control register. The key input interrupt uses inputs  $\overline{\text{KI3}}$  to  $\overline{\text{KI0}}$  or inputs  $\overline{\text{KI4}}$  to  $\overline{\text{KI0}}$ . Figure 10 shows the interrupt control register bit configuration. Figure 15 shows the particular function select register 1 bit configuration, and Figure 16 shows the  $\overline{\text{INT3}}$ /key input interrupt input circuit block diagram.

When the  $\overline{\text{INT3}}$  interrupt control register's bit 7 is "0" and its bit 6 is "0", a signal from the  $\overline{\text{INT3}}$  pin is connected to the  $\overline{\text{INT3}}$  interrupt control circuit and  $\overline{\text{INT3}}$  external interrupt is normally performed.

When the  $\overline{\text{INT3}}$  interrupt control register's bit 7 is "1" and its bit 6 is "0", signals from the  $\overline{\text{KI3}}$  to  $\overline{\text{KI0}}$  pins, which correspond to ports P57 to P54, are inverted and then the logical sum of these signals is connected to the  $\overline{\text{INT3}}$  interrupt control circuit. In this case, the external interrupt which uses the  $\overline{\text{KI3}}$  to  $\overline{\text{KI0}}$  pins is performed.

When the  $\overline{\text{INT3}}$  interrupt control register's bit 7 is "1" and its bit 6 is "1", signals from the  $\overline{\text{KI4}}$  pin, which corresponds to port P80,  $\overline{\text{KI3}}$  to  $\overline{\text{KI0}}$  pins, which correspond to ports P57 to P54, are inverted and then the logical sum of these signals is connected to the  $\overline{\text{INT3}}$  interrupt control circuit. In this case, the external interrupt which uses the  $\overline{\text{KI4}}$

to  $\overline{\text{KI0}}$  pins is performed.

When using the above key input interrupt, select the edge sense which uses the falling edge from "H" to "L" with the  $\overline{\text{INT3}}$  interrupt control register so that an interrupt request can occur by inputting "L" to each of the  $\overline{\text{KI3}}$  to  $\overline{\text{KI0}}$  pins or the  $\overline{\text{KI4}}$  to  $\overline{\text{KI0}}$  pins. The interrupt vector is common to the  $\overline{\text{INT3}}$  interrupt's one. Additionally, pull-up resistor (transistors) can be added to the  $\overline{\text{KI4}}$  to  $\overline{\text{KI0}}$  pins by setting the contents of the particular function select register 1's bits 7 and 6 and setting "0" to each bit of the corresponding port's direction register.

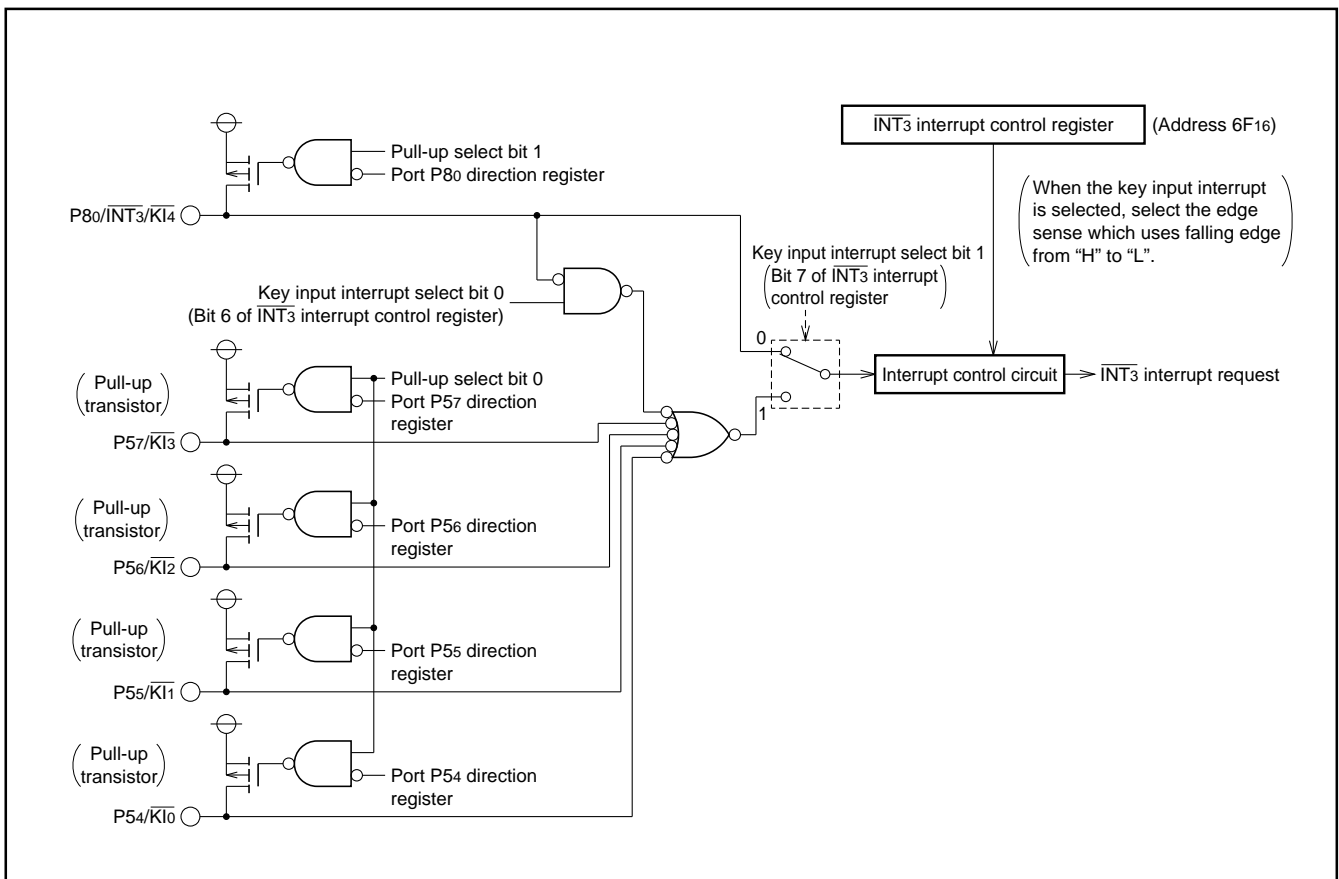


Fig. 16  $\overline{\text{INT3}}$ /key input interrupt input circuit block diagram

**TIMER**

There are eight 16-bit timers. They are divided by type into timer A(5) and timer B(3).

The timer I/O pins are multiplexed with I/O pins for port P5 and P6. To use these pins as timer input pins, the data direction register bit corresponding to the pin must be cleared to "0" to specify input mode.

**TIMER A**

Figure 17 shows a block diagram of timer A.

Timer A has four modes: timer mode, event counter mode, one-shot pulse mode, and pulse width modulation mode. The mode is selected with bits 0 and 1 of the timer Ai mode register (i = 0 to 4). Each of these modes is described below.

**(1) Timer mode [00]**

Figure 18 shows the bit configuration of the timer Ai mode register during timer mode. Bits 0 and 1 of the timer Ai mode register must be "0" in timer mode. Bits 3, 4, and 5 are used to select the gate function. Bits 4 and 5 must be "0" when not selecting the gate function. Bit 3 is ignored if bit 4 is "0".

Bits 6 and 7 are used to select the timer counter source.

The counting of the selected clock starts when the count start bit is "1" and stops when it is "0".

Figure 19 shows the bit configuration of the count start bit. The counter is decremented, an interrupt is caused and the interrupt request bit in the timer Ai interrupt control register is set when the contents becomes 0000<sub>16</sub>. At the same time, the contents of the reload register is transferred to the counter and count is continued.

When data is written to timer Ai register with timer Ai halted, the same data is also written to the reload register and the counter. When data is written to timer Ai which is busy, the data is written to the reload register, but not to the counter. The new data is reloaded from the reload register to the counter at the next reload time and counting continues. The contents of the counter can be read at any time.

When the value set in the timer Ai register is n, the timer frequency dividing ratio is 1/(n+1).

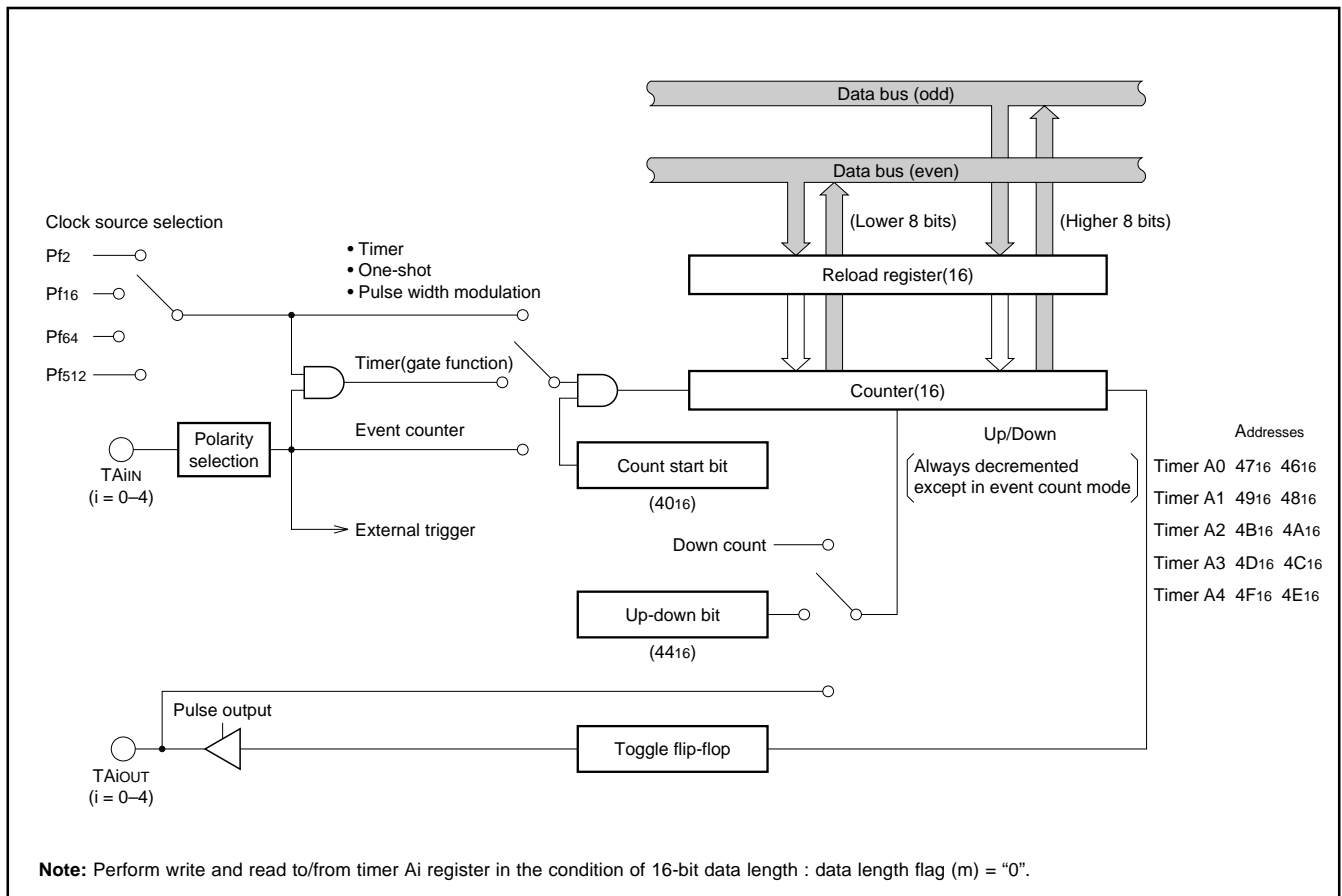


Fig. 17 Block diagram of timer A

**M37753M8C-XXXFP, M37753M8C-XXXHP  
 M37753S4CFP, M37753S4CHP**

SINGLE-CHIP 16-BIT CMOS MICROCOMPUTER

**Pulse output function**

When bit 2 of the timer Ai mode register is "1", the output is generated from TAIOUT pin. The output is toggled each time the contents of the counter reaches to 000016. When the contents of the count start bit is "0", "L" is output from TAIOUT pin.

When bit 2 is "0", TAIOUT can be used as a normal port pin. When bit 4 is "0", TAIIN can be used as a normal port pin.

**Gate function**

When bit 4 is "1", counting is performed only while the input signal from the TAIIN pin is "H" or "L" as shown in Figure 20. Therefore, this can be used to measure the pulse width of the TAIIN input signal. Whether to count while the input signal is "H" or while it is "L" is determined by bit 3. If bit 3 is "1", counting is performed while the TAIIN pin input signal is "H" and if bit 3 is "0", counting is performed while it is "L".

When bit 5 is "0, counting restarts from the value which is contained at restarting (gate function 0 [no reload]) and an overflow occurs (n + 1) cycles of the count source later. Figure 21 shows that operation.

When bit 5 is "1", counting restarts from the value which is obtained by reload at restarting (gate function 1 [reload]) and the first overflow occurs (n + 2) cycles of the count source later. Figure 22 shows that operation. After that, while the input signal from the TAIIN pin keeps valid level, an overflow occurs at (n + 1)- cycle intervals. Make sure to set the value of 1 or more to n.

When gate functions are used, the duration of "H" or "L" on the TAIIN pin must be 2 or more cycles of the timer count source.

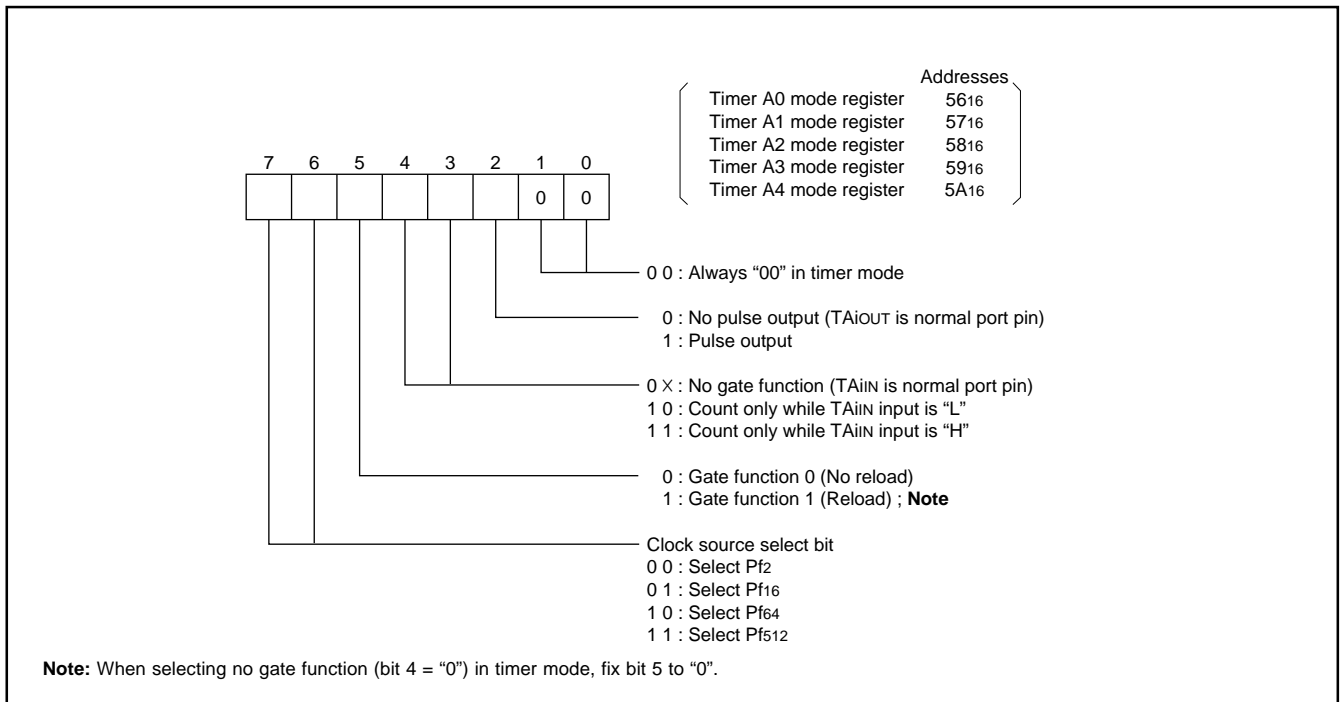


Fig. 18 Timer Ai mode register bit configuration during timer mode

**PRELIMINARY**  
 Notice: This is not a final specification.  
 Some parametric limits are subject to change.

MITSUBISHI MICROCOMPUTERS  
**M37753M8C-XXXFP, M37753M8C-XXXHP**  
**M37753S4CFP, M37753S4CHP**

SINGLE-CHIP 16-BIT CMOS MICROCOMPUTER

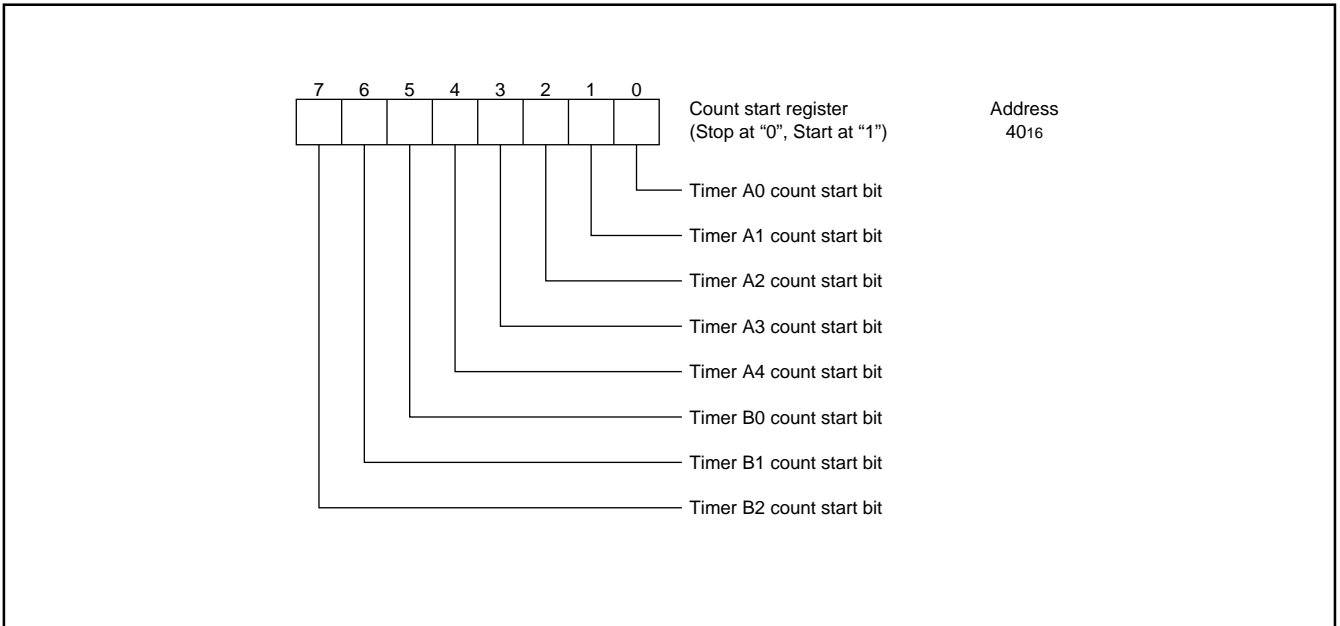


Fig. 19 Count start flag bit configuration

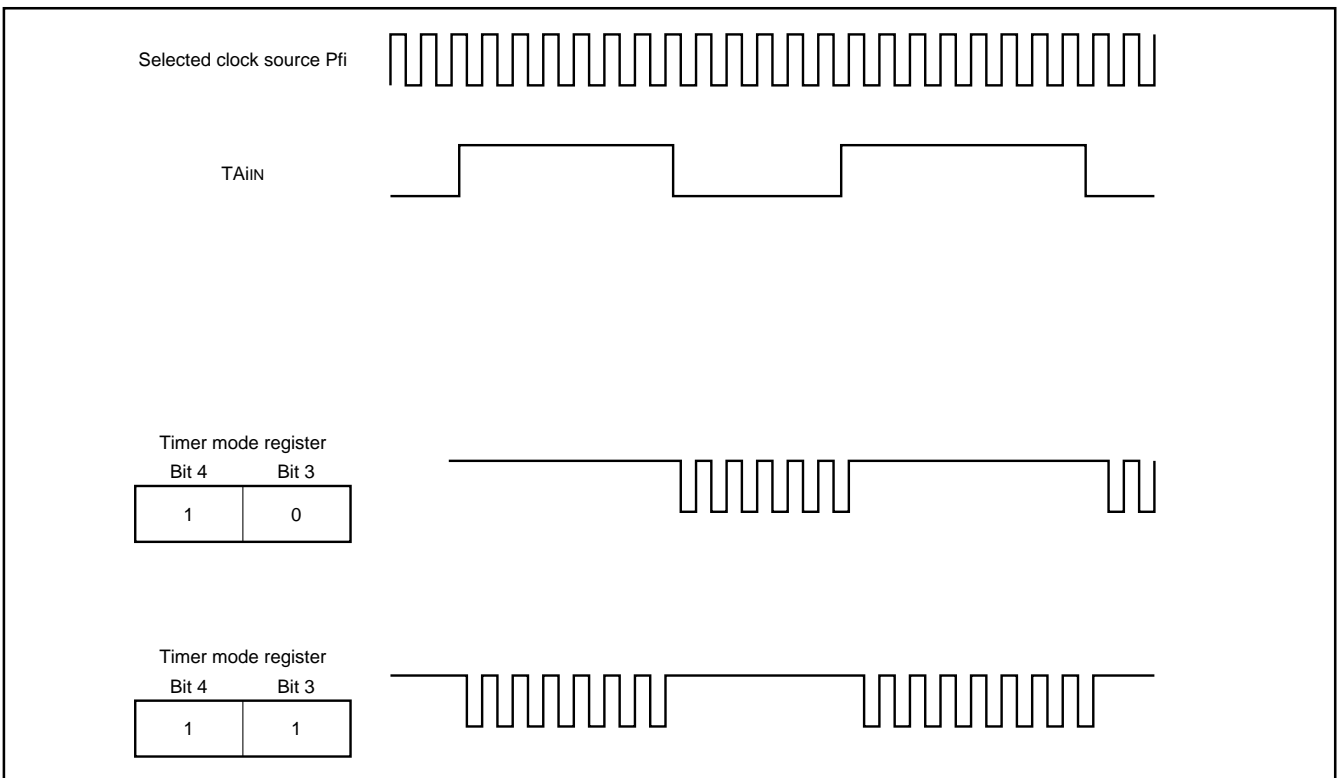


Fig. 20 Count waveform when gate function is available



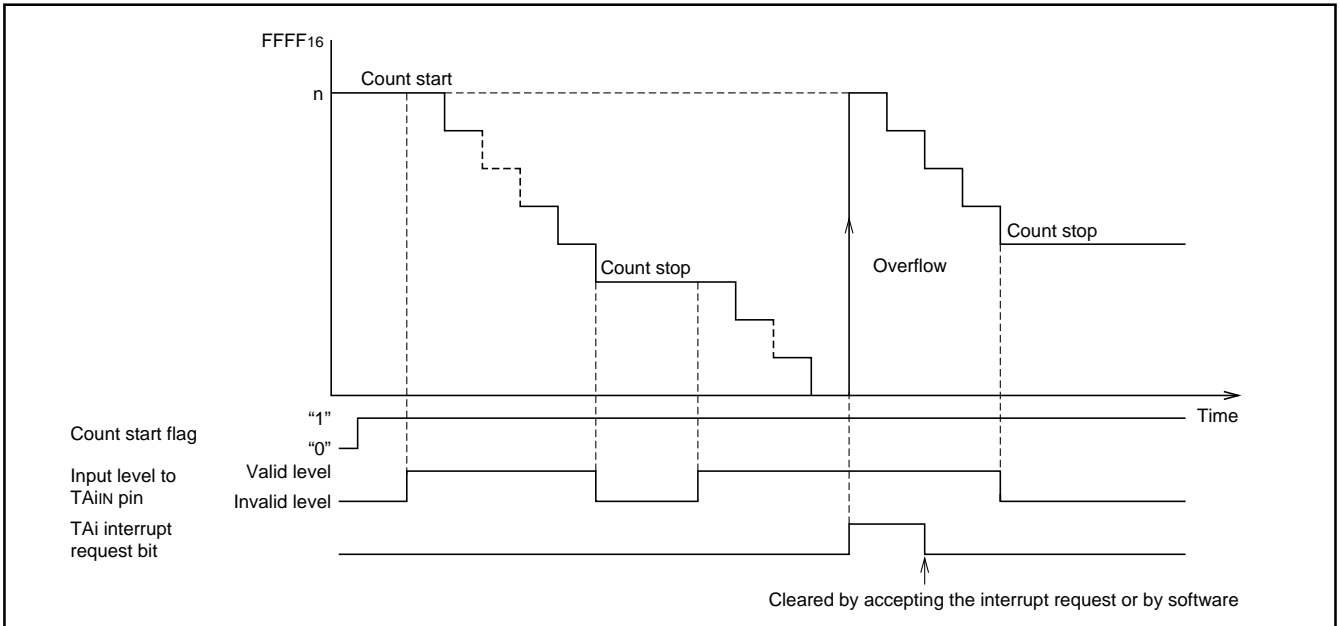


Fig. 21 Timer operation example with gate function 0 (no reload) selected

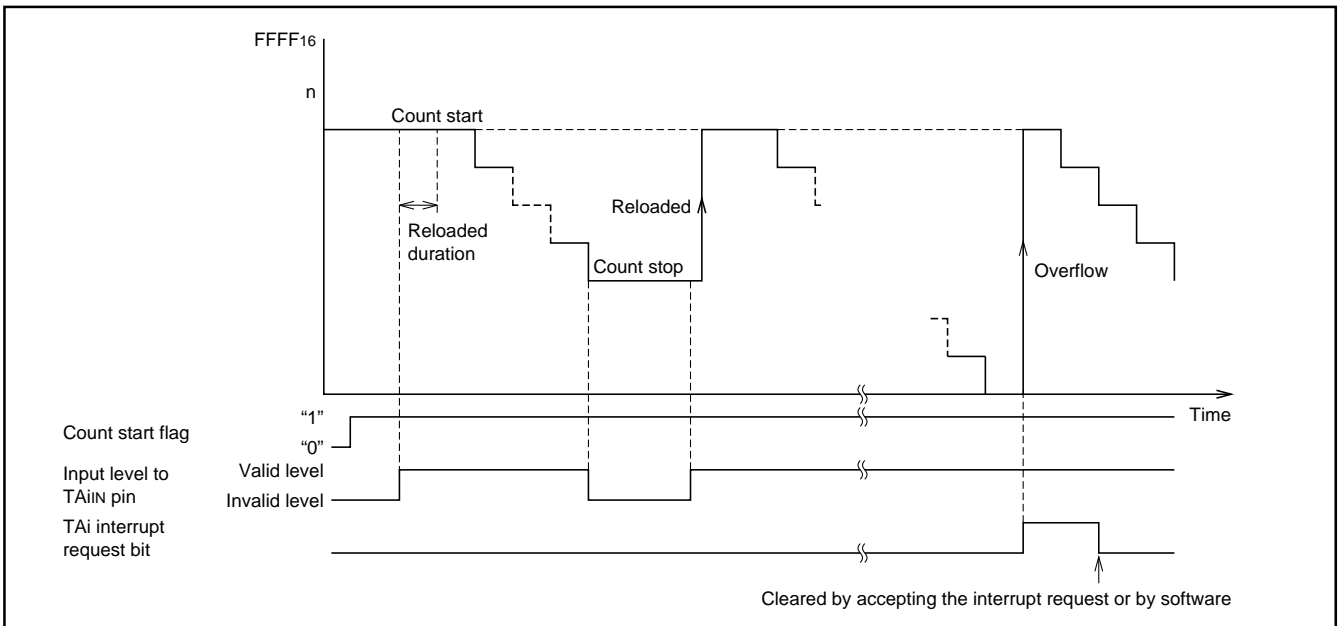


Fig. 22 Timer operation example with gate function 1 (reload) selected

M37753M8C-XXXFP, M37753M8C-XXXHP  
M37753S4CFP, M37753S4CHP

SINGLE-CHIP 16-BIT CMOS MICROCOMPUTER

**PRELIMINARY**  
Notice: This is not a final specification.  
Some parametric limits are subject to change.

**(2) Event counter mode [01]**

Figure 23 shows the bit configuration of the timer Ai mode register during event counter mode. In event counter mode, bit 0 of the timer Ai mode register must be "1" and bits 1 and 5 must be "0".

The input signal from the TAIiN pin is counted when the count start bit shown in Figure 19 is "1" and counting is stopped when it is "0".

Count is performed at the fall of the input signal when bit 3 is "0" and at the rise of the signal when it is "1".

In event counter mode, whether to increment or decrement the count can be selected with the up-down bit or the input signal from the TAIoUT pin.

When bit 4 of the timer Ai mode register is "0", the up-down bit is used to determine whether to increment or decrement the count (decrement when the bit is "0" and increment when it is "1"). Figure 24 shows the bit configuration of the up-down register.

When bit 4 of the timer Ai mode register is "1", the input signal from the TAIoUT pin is used to determine whether to increment or decrement the count. However, note that bit 2 must be "0" if bit 4 is "1". It is because if bit 2 is "1", TAIoUT pin becomes an output pin to output pulses.

The count is decremented when the input signal from the TAIoUT pin is "L" and incremented when it is "H". Determine the level of the input signal from the TAIoUT pin before a valid edge is input to the TAIiN pin. An interrupt request signal is generated and the interrupt request bit in the timer Ai interrupt control register is set when the counter reaches 0000<sub>16</sub> (decrement count) or FFFF<sub>16</sub> (increment count). At the same time, the contents of the reload register is transferred to the counter and the count is continued.

When bit 2 is "1," each time the counter reaches 0000<sub>16</sub> (decrement count) or FFFF<sub>16</sub>(increment count), the waveform's polarity is reversed and is output from TAIoUT pin.

If bit 2 is "0", TAIoUT pin can be used as a normal port pin.

However, if bit 4 is "1" and the TAIoUT pin is used as an output pin, the output from the pin changes the count direction. Therefore, bit 4 must be "0" unless the output from the TAIoUT pin is to be used to select the count direction.

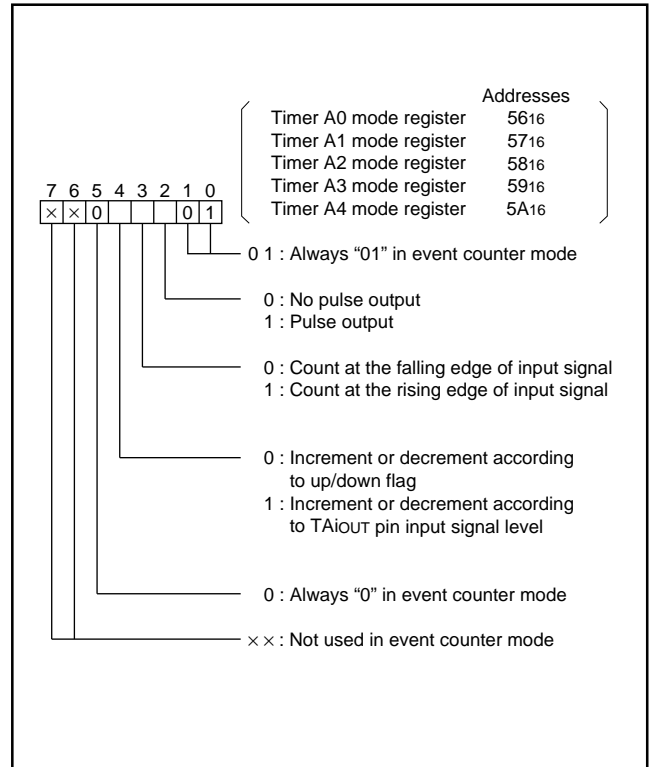


Fig. 23 Timer Ai mode register bit configuration during event counter mode

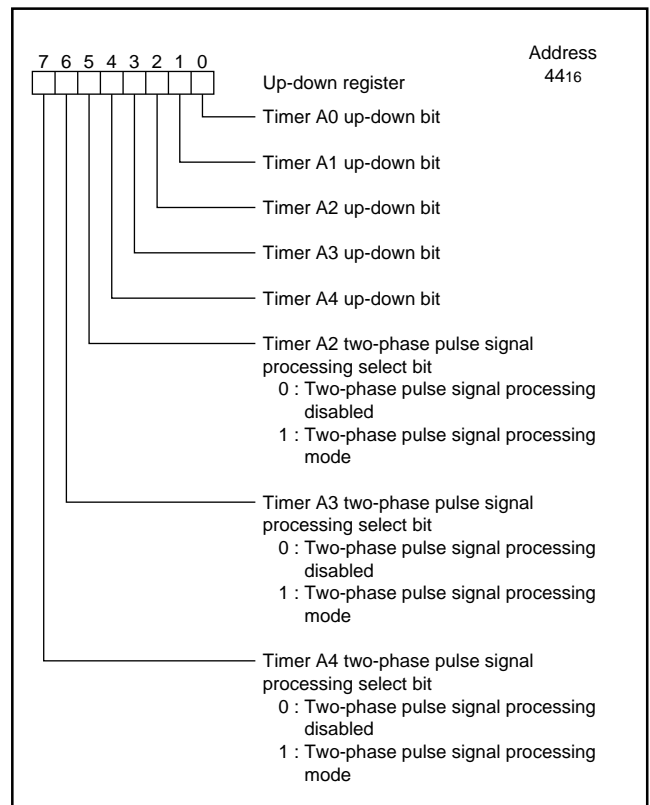


Fig. 24 Up-down register bit configuration

**M37753M8C-XXXFP, M37753M8C-XXXHP  
 M37753S4CFP, M37753S4CHP**

SINGLE-CHIP 16-BIT CMOS MICROCOMPUTER

Data write and data read are performed in the same way as for timer mode. That is, when data is written to timer A<sub>i</sub> halted, it is also written to the reload register and the counter. When data is written to timer A<sub>i</sub> which is busy, the data is written to the reload register, but not to the counter. The counter is reloaded with new data from the reload register at the next reload time. The counter can be read at any time.

**Two-phase pulse processing**

In event counter mode, whether to increment or decrement the counter can also be determined by supplying two kinds of pulses of which phases differ by 90° to timer A<sub>2</sub>, A<sub>3</sub>, or A<sub>4</sub>. There are two types of two-phase pulse processing operations. One uses timers A<sub>2</sub> and A<sub>3</sub>, and the other uses timer A<sub>4</sub>. In both processing operations, two pulses described above are input to the TA<sub>j</sub>OUT (j = 2 to 4) pin and TA<sub>j</sub>IN pin respectively.

When timers A<sub>2</sub> and A<sub>3</sub> are used, as shown in Figure 25, the count is incremented when a rising edge is input to the TAKIN pin after the level of TAKOUT(k=2, 3) pin changes from "L" to "H", and when the falling edge is input, the count is decremented.

For timer A<sub>4</sub>, as shown in Figure 26, when a phase-related pulse with a rising edge input to the TA<sub>4</sub>IN pin is input after the level of TA<sub>4</sub>OUT pin changes from "L" to "H", the count is incremented at the respective rising edge and falling edge of the TA<sub>4</sub>OUT pin and TA<sub>4</sub>IN pin.

When a phase-related pulse with a falling edge input to the TA<sub>4</sub>OUT pin is input after the level of TA<sub>4</sub>IN pin changes from "H" to "L", the count is decremented at the respective rising edge and falling edge of the TA<sub>4</sub>IN pin and TA<sub>4</sub>OUT pin. When performing this two-phase pulse signal processing, timer A<sub>j</sub> mode register bit 0 and bit 4 must

be set to "1" and bits 1, 2, 3, and 5 must be "0". Bits 6 and 7 are ignored. Note that bits 5, 6, and 7 of the up-down register (4416) are the two-phase pulse signal processing select bits for timers A<sub>2</sub>, A<sub>3</sub> and A<sub>4</sub> respectively. Each timer operates in normal event counter mode when the corresponding bit is "0" and performs two-phase pulse signal processing when it is "1".

Count is started by setting the count start bit to "1". Data write and read are performed in the same way as for normal event counter mode. Note that the direction register of the input port must be set to input mode because two kinds of pulse signals, described above, are input. Also, there can be no pulse output in this mode.

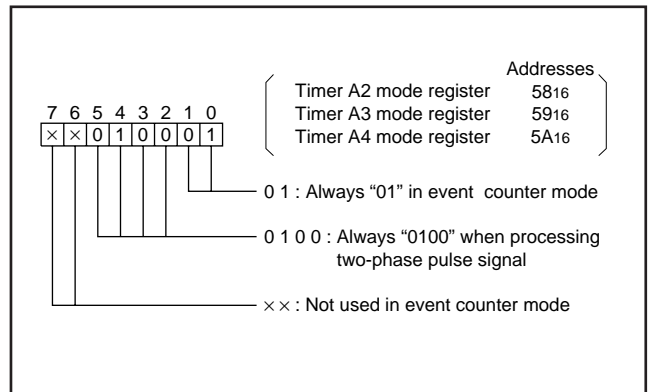


Fig. 27 Timer A<sub>j</sub> mode register bit configuration when performing two-phase pulse signal processing in event counter mode

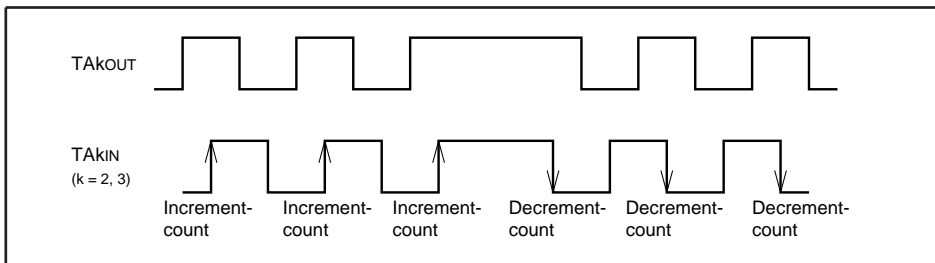


Fig. 25 Two-phase pulse processing operation of timers A<sub>2</sub> and timer A<sub>3</sub>

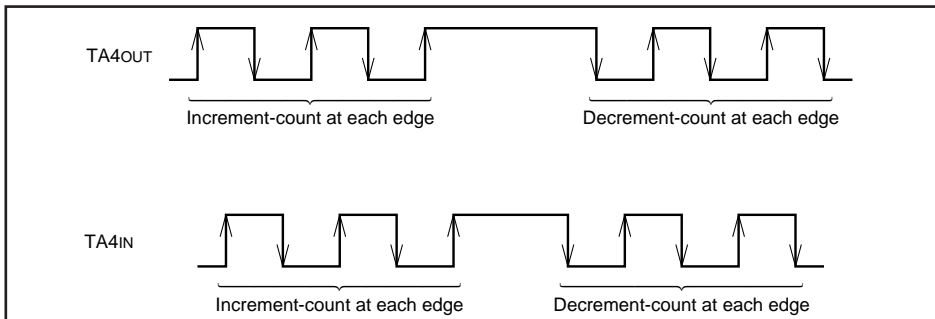


Fig. 26 Two-phase pulse processing operation of timer A<sub>4</sub>

M37753M8C-XXXFP, M37753M8C-XXXHP  
M37753S4CFP, M37753S4CHP

SINGLE-CHIP 16-BIT CMOS MICROCOMPUTER

**PRELIMINARY**  
Notice: This is not a final specification.  
Some parametric limits are subject to change.

**(3) One-shot pulse mode [10]**

Figure 28 shows the bit configuration of the timer Ai mode register during one-shot pulse mode. In one-shot pulse mode, bit 0 and bit 5 must be "0" and bit 1 and bit 2 must be "1".

The trigger is enabled when the count start bit is "1". The trigger can be generated by software or it can be input from the TAIiN pin. Software trigger is selected when bit 4 is "0" and the input signal from the TAIiN pin is used as the trigger when it is "1".

Bit 3 is used to determine whether to trigger at the fall of the trigger signal or at the rise. The trigger is at the fall of the trigger signal when bit 3 is "0" and at the rise of the trigger signal when it is "1".

Software trigger is generated by setting the bit in the one-shot start bit corresponding to each timer.

Figure 29 shows the bit configuration of the one-shot start register. As shown in Figure 30, when a trigger signal is received, the counter counts the clock selected by bits 6 and 7.

If the contents of the counter is not 0000<sub>16</sub>, the TAIOUT pin goes "H" when a trigger signal is received. The count direction is decrement. When the counter reaches 0001<sub>16</sub>, The TAIOUT pin goes "L" and count is stopped. The contents of the reload register is transferred to the counter. At the same time, an interrupt request signal is generated and the interrupt request bit in the timer Ai interrupt control register is set. This is repeated each time a trigger signal is received. The output pulse width is

$$\frac{1}{\text{pulse frequency of the selected clock} \times (\text{counter's value at the time of trigger})}$$

If the count start flag is "0", TAIOUT goes "L". Therefore, the value corresponding to the desired pulse width must be written to timer Ai before setting the timer Ai count start bit.

As shown in Figure 31, a trigger signal can be received before the operation for the previous trigger signal is completed. In this case, the contents of the reload register is transferred to the counter by the trigger and then that value is decremented.

Except when retriggering while operating, the contents of the reload register is not transferred to the counter by triggering.

When retriggering, there must be at least one timer count source cycle before a new trigger can be issued.

Data write is performed in the same way as for timer mode.

When data is written in timer Ai halted, it is also written to the reload register and the counter.

When data is written to timer Ai which is busy, the data is written to the reload register, but not to the counter. The counter is reloaded with new data from the reload register at the next reload time.

Undefined data is read when timer Ai is read.

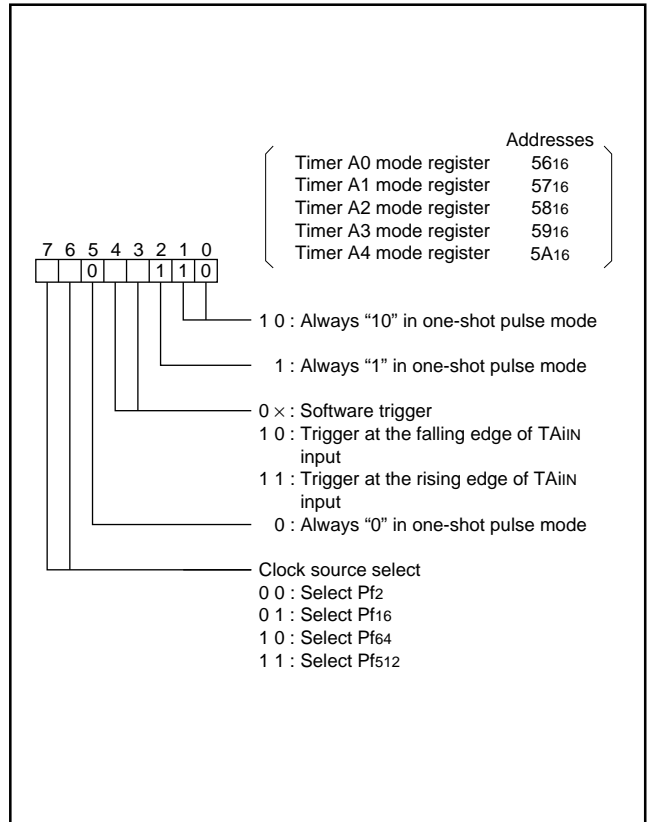


Fig. 28 Timer Ai mode register bit configuration during one-shot pulse mode

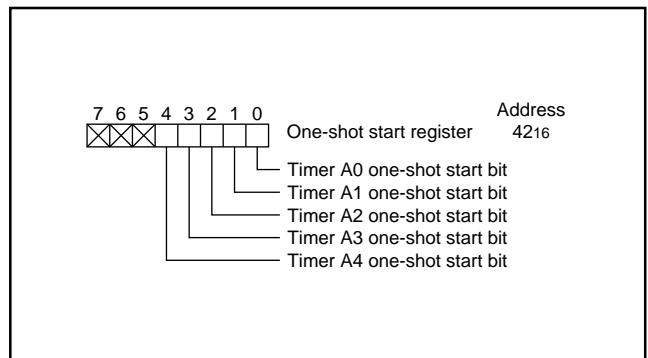


Fig. 29 One-shot start register bit configuration

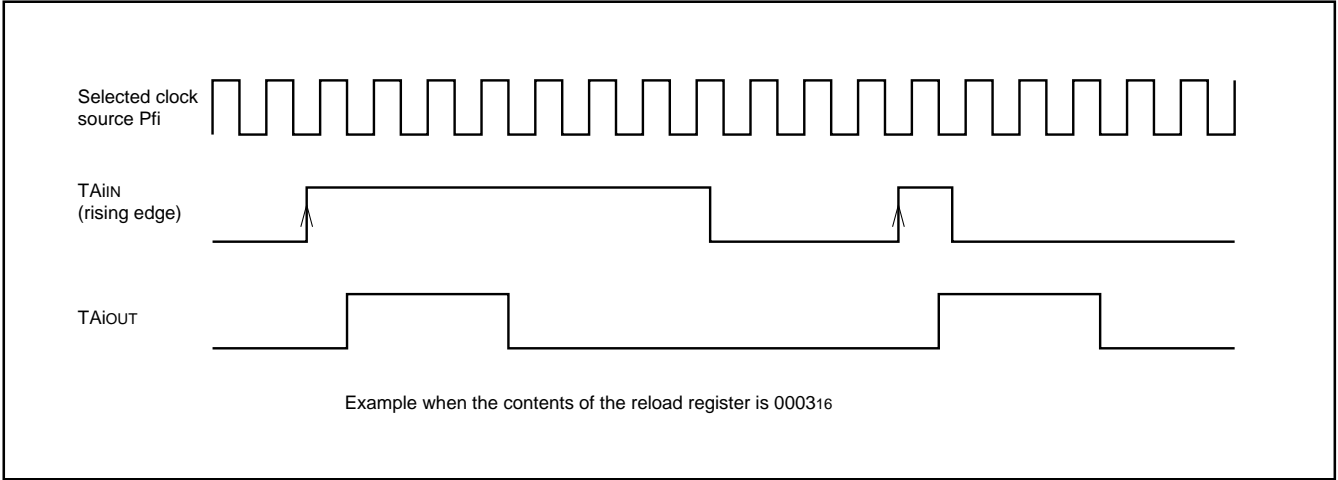


Fig. 30 Pulse output example when external rising edge is selected

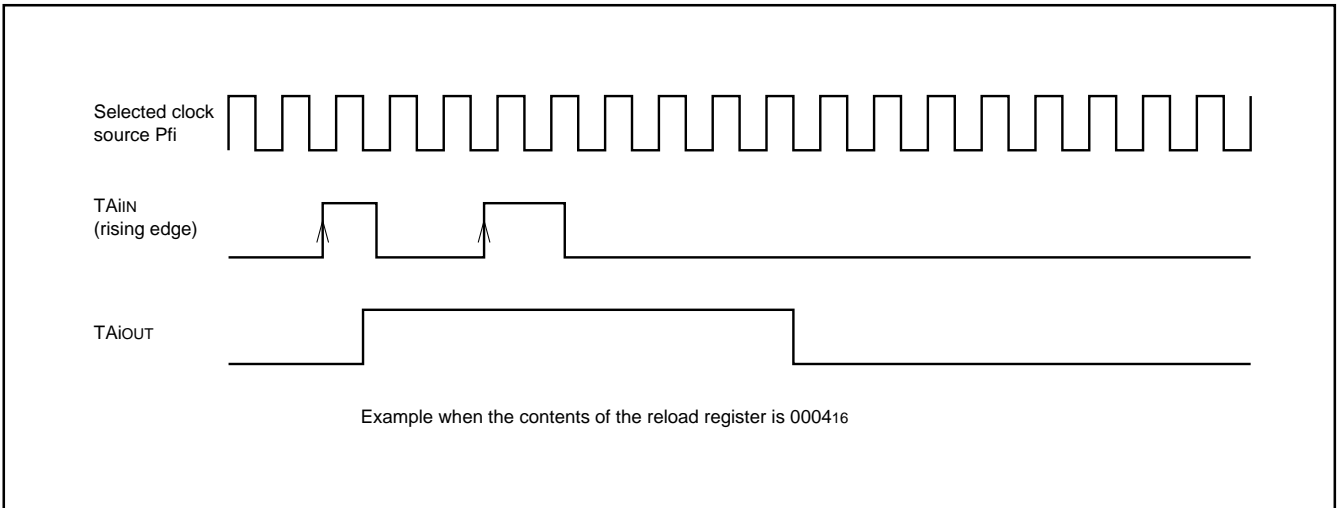


Fig. 31 Example when trigger is re-issued during pulse output

**PRELIMINARY**  
Notice: This is not a final specification.  
Some parametric limits are subject to change.

**(4) Pulse width modulation mode [11]**

Figure 32 shows the bit configuration of the timer Ai mode register during pulse width modulation mode. In pulse width modulation mode, bits 0, 1, and 2 must be set to "1".

Bit 5 is used to determine whether to perform 16-bit length pulse width modulator or 8-bit length pulse width modulator. 16-bit length pulse width modulator is selected when bit 5 is "0" and 8-bit length pulse width modulator is selected when it is "1". The 16-bit length pulse width modulator is described first.

The pulse width modulator can be started with a software trigger or with an input signal from a TAIiN pin (external trigger).

The software trigger mode is selected when bit 4 is "0".

Pulse width modulator is started and a pulse is output from TAIOUT when the timer Ai start bit is set to "1".

The external trigger mode is selected when bit 4 is "1".

Pulse width modulation starts when a trigger signal is input from the TAIiN pin when the timer Ai start bit is "1". Whether to trigger at the fall or rise of the trigger signal is determined by bit 3. The trigger is at the fall of the trigger signal when bit 3 is "0" and at the rise when it is "1".

When data is written to timer Ai with the pulse width modulator halted, it is written to the reload register and the counter.

Then when the timer Ai start bit is set to "1" and a software trigger or an external trigger is issued to start modulation, the waveform shown in Figure 33 is output continuously.

Once modulation is started, triggers are not accepted. If the value in the reload register is m, the duration "H" of pulse is

$$\frac{1}{\text{selected clock frequency}} \times m$$

and the output pulse period is

$$\frac{1}{\text{selected clock frequency}} \times (2^{16} - 1).$$

An interrupt request signal is generated and the interrupt request bit in the timer Ai interrupt control register is set at each fall of the output pulse.

The width of the output pulse is changed by updating timer data. The update can be performed at any time. The output pulse width is changed at the rise of the pulse after data is written to the timer.

The contents of the reload register are transferred to the counter just before the rise of the next pulse so that the pulse width is changed from the next output pulse.

Undefined data is read when timer Ai is read.

The 8-bit length pulse width modulator is described next.

The 8-bit length pulse width modulator is selected when the timer Ai mode register bit 5 is "1".

The reload register and the counter are both divided into 8-bit halves. The low-order 8 bits function as a prescaler and the high-order 8 bits

function as the 8-bit length pulse width modulator. The prescaler counts the clock selected by bits 6 and 7. A pulse is generated when the counter reaches 0000<sub>16</sub> as shown in Figure 34. At the same time, the contents of the reload register is transferred to the counter and count is continued.

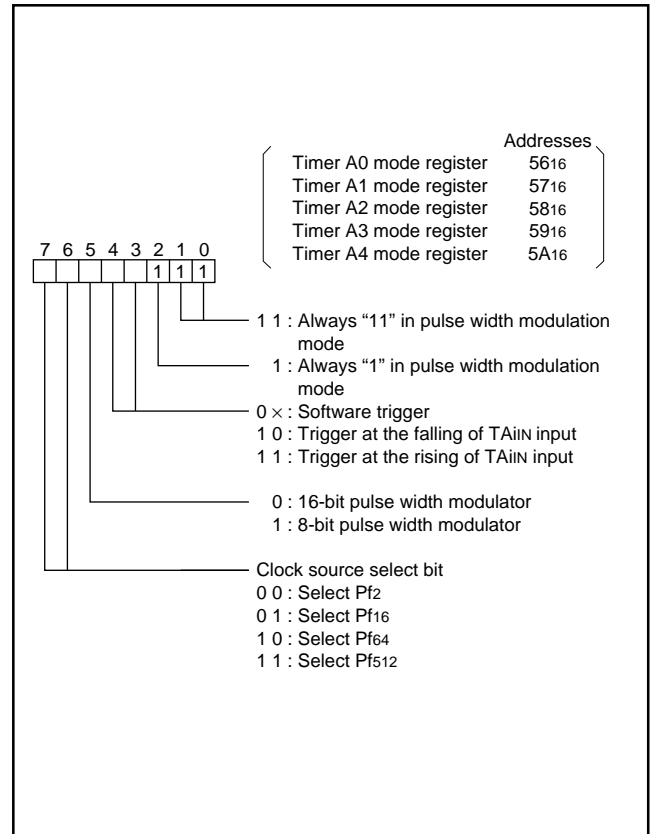


Fig. 32 Timer Ai mode register bit configuration during pulse width modulation mode

**PRELIMINARY**  
 Notice: This is not a final specification.  
 Some parametric limits are subject to change.

**M37753M8C-XXXFP, M37753M8C-XXXHP  
 M37753S4CFP, M37753S4CHP**

SINGLE-CHIP 16-BIT CMOS MICROCOMPUTER

Therefore, if the low-order 8 bits of the reload register are n, the period of the generated pulse is

$$\frac{1}{\text{selected clock frequency}} \times (n+1).$$

The high-order 8 bits function as an 8-bit length pulse width modulator using this pulse as input. The operation is the same as for 16-bit length pulse width modulator except that the length is 8 bits. If the

high-order 8 bits of the reload register are m, the duration "H" of pulse is

$$\frac{1}{\text{selected clock frequency}} \times (n+1) \times m.$$

And the output pulse period is

$$\frac{1}{\text{selected clock frequency}} \times (n+1) \times (2^8-1).$$

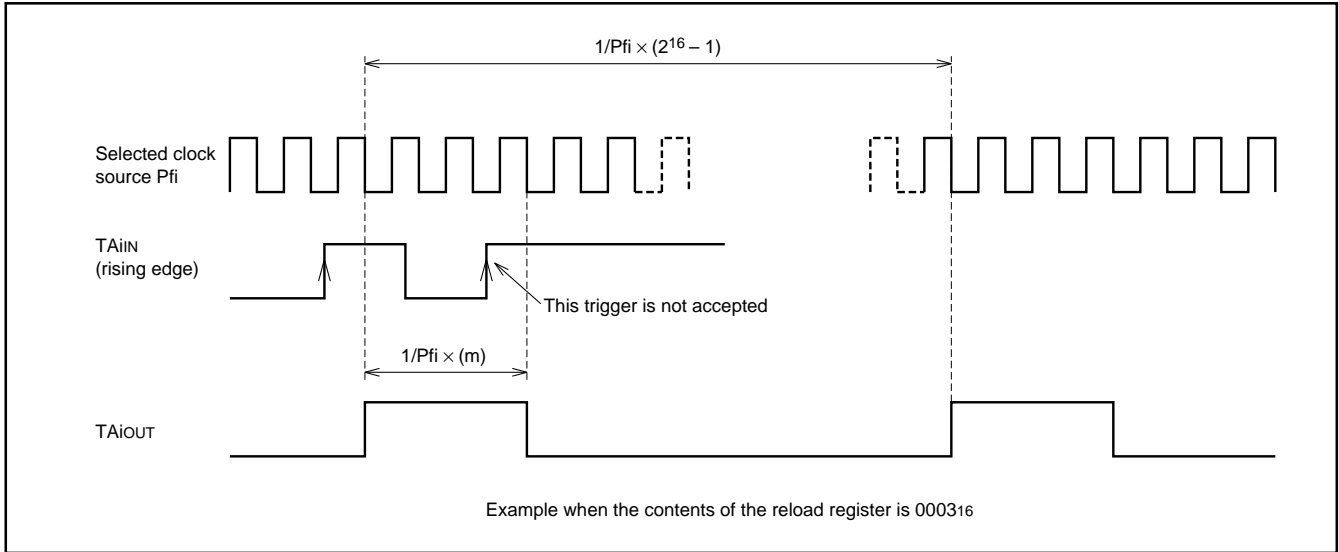


Fig. 33 16-bit length pulse width modulator output pulse example

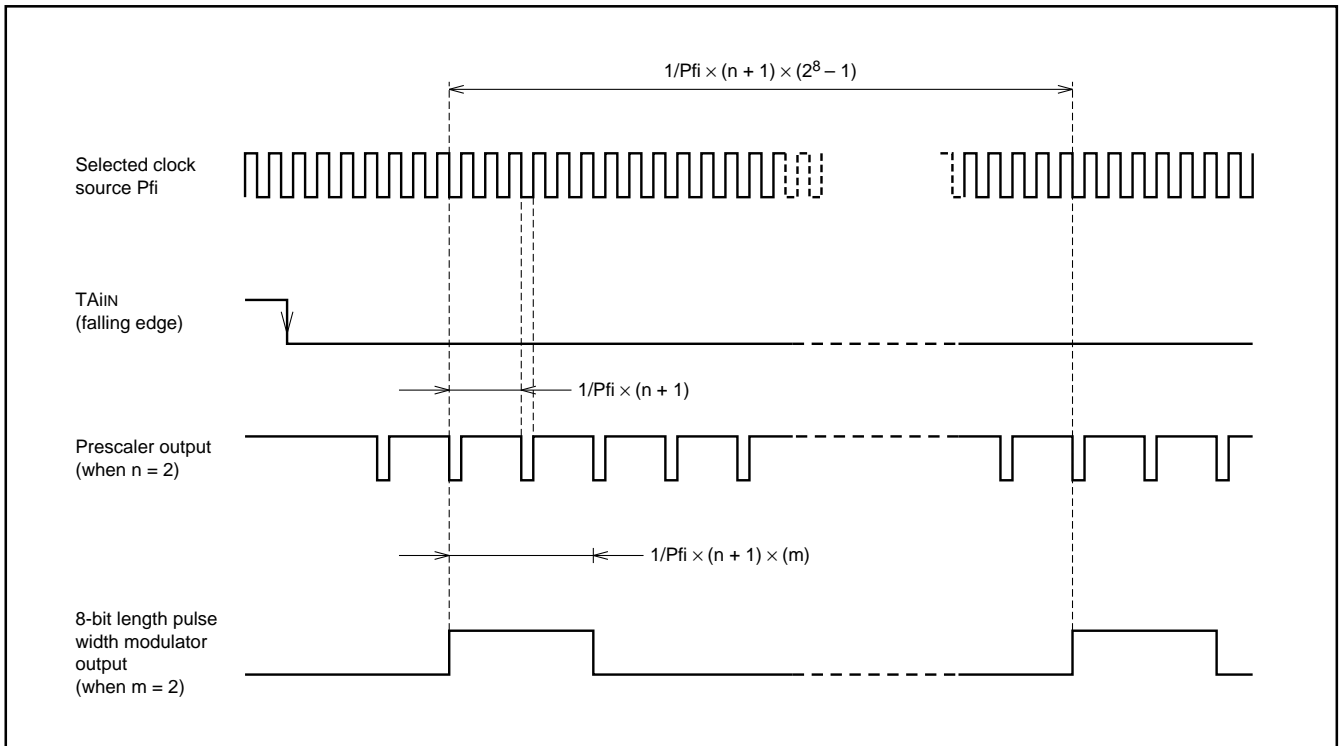


Fig. 34 8-bit length pulse width modulator output pulse example

**TIMER B**

Figure 35 shows a block diagram of timer B.

Timer B has three modes: timer mode, event counter mode, and pulse period measurement/pulse width measurement mode. The mode is selected with bits 0 and 1 of the timer Bi mode register (i=0 to 2). Each of these modes is described below.

**(1) Timer mode [00]**

Figure 36 shows the bit configuration of the timer Bi mode register during timer mode. Bits 0 and 1 of the timer Bi mode register must always be "0" in timer mode.

Bits 6 and 7 are used to select the clock source. The counting of the selected clock starts when the count start bit is "1" and stops when "0".

As shown in Figure 19, the timer Bi count start bit is at the same address as the timer Ai count start bit. The count is decremented, an interrupt occurs, and the interrupt request bit in the timer Bi interrupt control register is set when the contents becomes 0000<sub>16</sub>. At the same time, the contents of the reload register is stored in the counter and count is continued.

Timer Bi does not have a pulse output function or a gate function like timer A.

When data is written to timer Bi halted, it is written to the reload register and the counter. When data is written to timer Bi which is busy, the data is written to the reload register, but not to the counter. The new data is reloaded from the reload register to the counter at the next reload time and counting continues.

The contents of the counter can be read at any time.

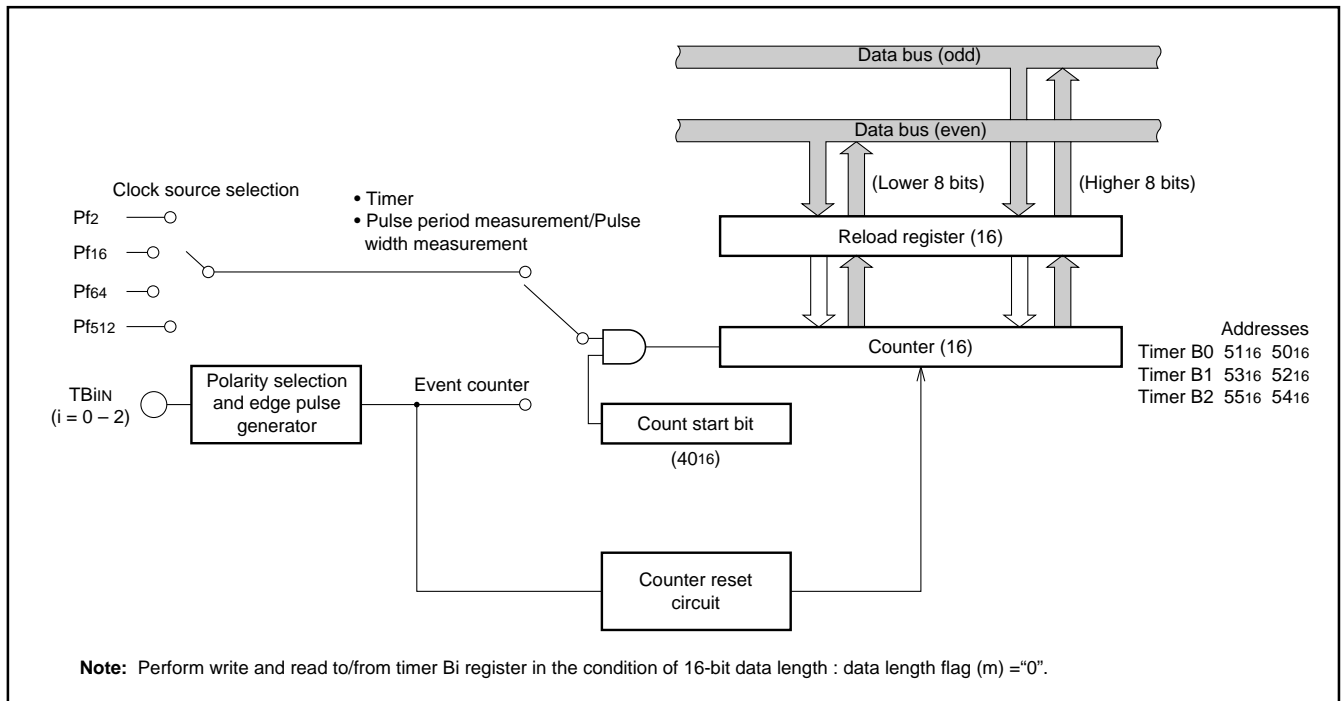


Fig. 35 Timer B block diagram



**(2) Event counter mode [01]**

Figure 37 shows the bit configuration of the timer Bi mode register during event counter mode. In event counter mode, bit 0 in the timer Bi mode register must be "1" and bit 1 must be "0".

The input signal from the TBiIN pin is counted when the count start flag is "1" and counting is stopped when it is "0".

Count is performed at the fall of the input signal when bits 2, and 3 are "0" and at the rise of the input signal when bit 3 is "0" and bit 2 is "1".

When bit 3 is "1" and bit 2 is "0", count is performed at the rise and fall of the input signal.

Data write, data read and timer interrupt are performed in the same way as for timer mode.

**(3) Pulse period measurement/pulse width measurement mode [10]**

Figure 38 shows the bit configuration of the timer Bi mode register during pulse period measurement/pulse width measurement mode. In pulse period measurement/pulse width measurement mode, bit 0 must be "0" and bit 1 must be "1". Bits 6 and 7 are used to select the clock source. The selected clock is counted when the count start flag is "1" and counting stops when it is "0".

The pulse period measurement mode is selected when bit 3 is "0". In pulse period measurement mode, the selected clock is counted during the interval starting at the fall of the input signal from the TBiIN pin to the next fall or at the rise of the input signal to the next rise; the result is stored in the reload register. In this case, the reload register acts as a buffer register.

When bit 2 is "0", the clock is counted from the fall of the input signal to the next fall. When bit 2 is "1", the clock is counted from the rise of the input signal to the next rise.

In the case of counting from the fall of the input signal to the next fall, counting is performed as follows. As shown in Figure 39, when the fall of the input signal from TBiIN pin is detected, the contents of the counter is transferred to the reload register. Next the counter is cleared and count is started from the next clock. When the fall of the next input signal is detected, the contents of the counter is transferred to the reload register once more, the counter is cleared, and the count is started. The period from the fall of the input signal to the next fall is measured in this way.

After the contents of the counter is transferred to the reload register, an interrupt request signal is generated and the interrupt request bit in the timer Bi interrupt control register is set. However, no interrupt request signal is generated when the contents of the counter is transferred first to the reload register after the count start bit is set to "1".

When bit 3 is "1", the pulse width measurement mode is selected. Pulse width measurement mode is the same as the pulse period measurement mode except that the clock is counted from the fall of the TBiIN pin input signal to the next rise or from the rise of the input signal to the next fall as shown in Figure 40.

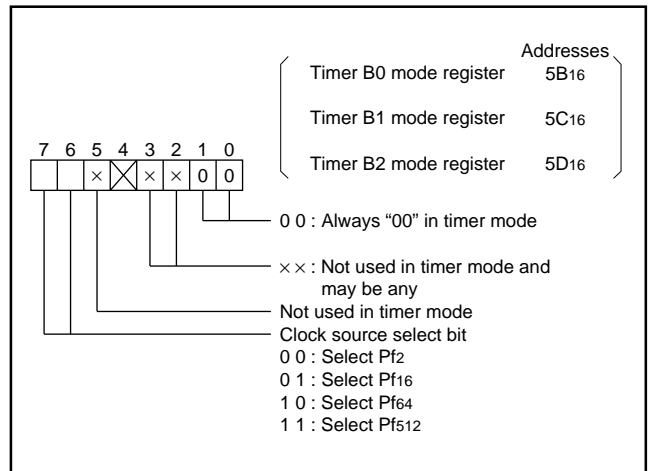


Fig. 36 Timer Bi mode register bit configuration during timer mode

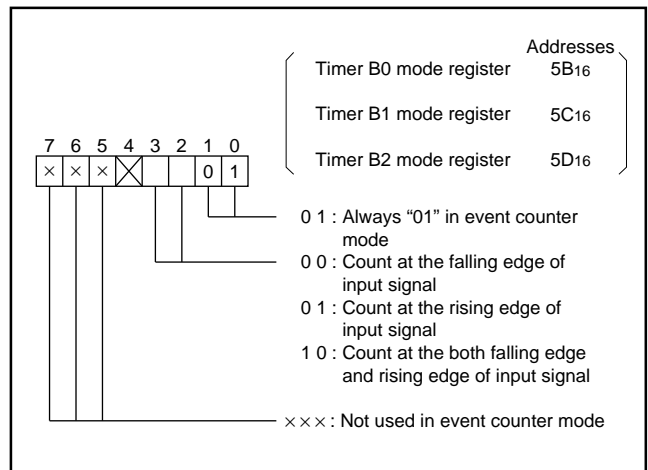


Fig. 37 Timer Bi mode register bit configuration during event counter mode

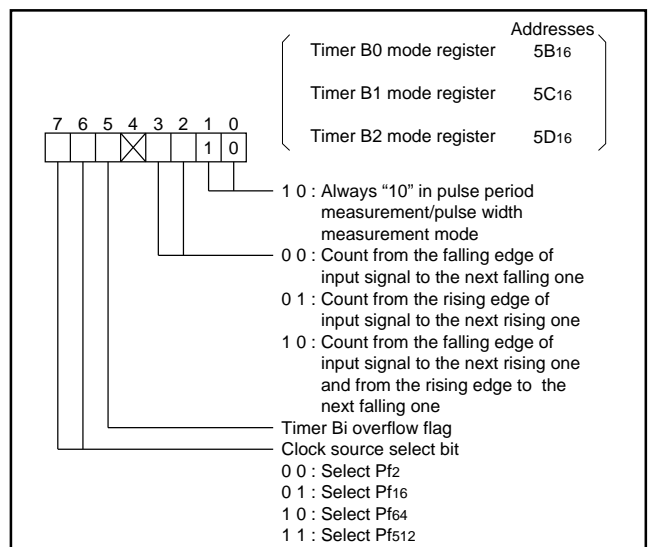


Fig. 38 Timer Bi mode register bit configuration during pulse period measurement/pulse width measurement mode

**M37753M8C-XXXFP, M37753M8C-XXXHP  
 M37753S4CFP, M37753S4CHP**

SINGLE-CHIP 16-BIT CMOS MICROCOMPUTER

When timer Bi is read, the contents of the reload register is read.  
 Note that in this mode, the interval between the fall of the TBiIN pin input signal to the next rise or from the rise to the next fall must be at least two cycles of the timer count source.  
 Timer Bi overflow flag which is bit 5 of timer Bi mode register is set to "1" when the timer Bi counter reaches 0000<sub>16</sub>, which indicates that a pulse width or pulse period is longer than that which can be measured by a 16-bit length.  
 This flag is cleared by writing data to the corresponding timer Bi mode register. This bit is set to "1" at reset.

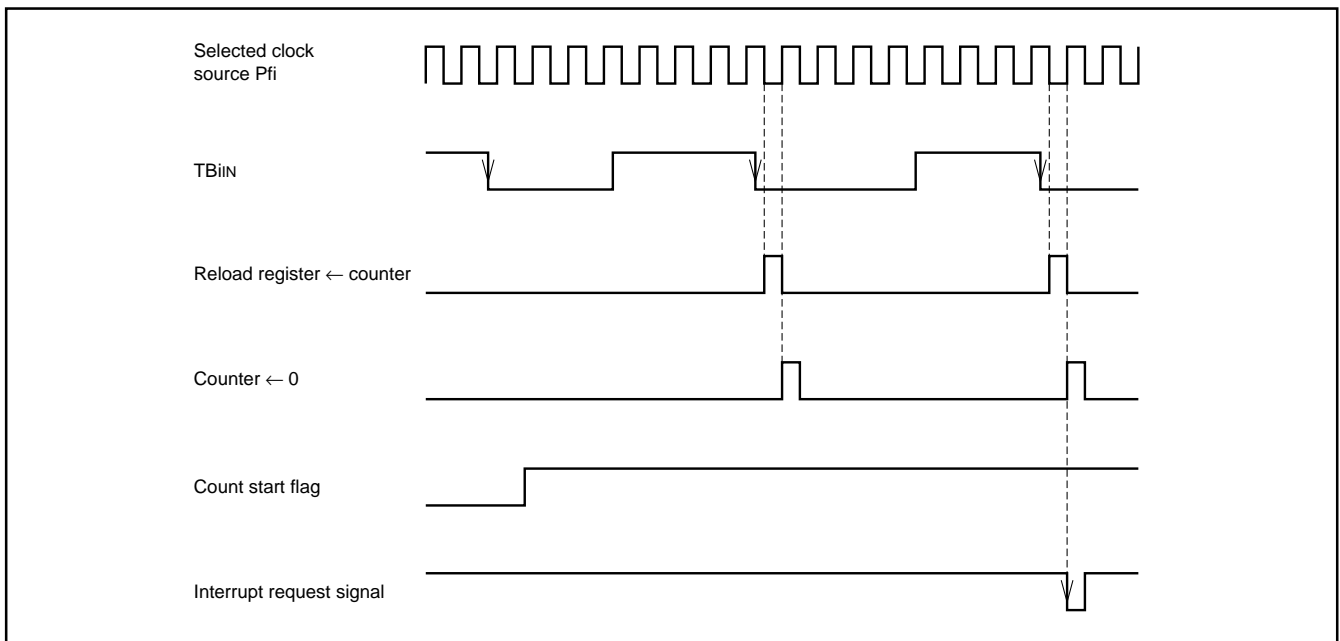


Fig. 39 Pulse period measurement mode operation (example of measuring the interval between the falling edge to next falling one)

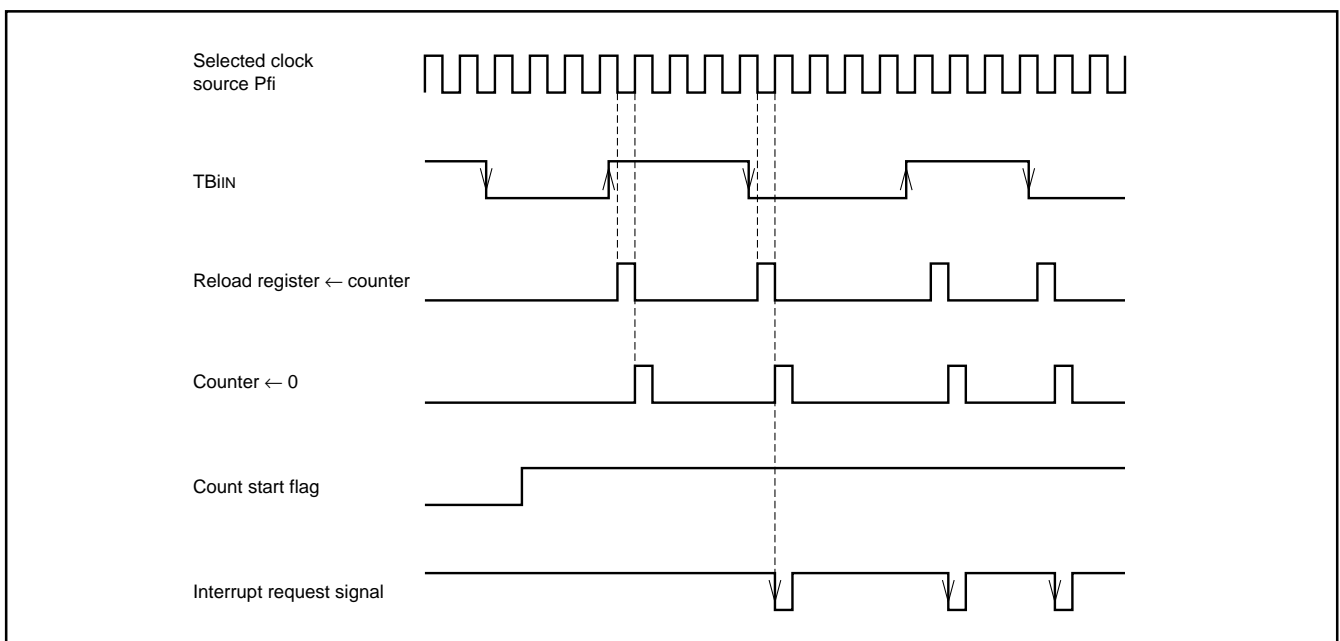


Fig. 40 Pulse width measurement mode operation

**M37753M8C-XXXFP, M37753M8C-XXXHP  
 M37753S4CFP, M37753S4CHP**

SINGLE-CHIP 16-BIT CMOS MICROCOMPUTER

**Timer function for motor control**

Three-phase motor drive waveform and pulse motor drive waveform can be output by using plural internal timers A and B. Those modes are explained below.

**Three-phase motor drive waveform output mode (three-phase waveform mode)**

Three-phase waveform mode using four timers of the timers A0, A1, A2 and B4 is selected by setting the waveform output select bits of the waveform output mode register (address 1A16, Figure 41) to "1002".

There are two types of the three-phase waveform mode: three-phase mode 0 and three-phase mode 1. Bit 4 of the waveform output mode register selects either mode. In three-phase waveform mode, set the corresponding timer mode registers of timers A0, A1, and A2 to select the one-shot pulse mode with the rising edge of external trigger; set the timer mode register of timer B2 to select the timer mode.

Figure 43 shows the three-phase waveform mode block diagram. The three-phase waveform mode outputs six waveforms, positive waveforms (U, V, W phases) and negative waveforms ( $\bar{U}$ ,  $\bar{V}$ ,  $\bar{W}$  phases), from the respective ports with "L" level active.

Timer A2 controls U and  $\bar{U}$  phases; timer A1 does V and  $\bar{V}$  phases and timer A0 does W and  $\bar{W}$  phases. Timer B2 controls those one-shot pulses' period of timers A2, A1 and A0.

In the waveform output, a short circuit prevention time can be set to prevent "L" level of positive waveforms (U, V, W phases) from overlapping with "L" level of their negative waveforms ( $\bar{U}$ ,  $\bar{V}$ ,  $\bar{W}$  phases). The short circuit prevention time can be set with three 8-bit dead-time timers, sharing one reload register. The dead-time timer operates as a one-shot timer. As its start trigger, both the rising and falling edges of timers A0 to A2's one-shot pulses or their falling edge. Bit 6 of the waveform output mode register selects it. When that is "0", both the rising and falling edges become the start trigger; when that is "1", the falling edge becomes it.

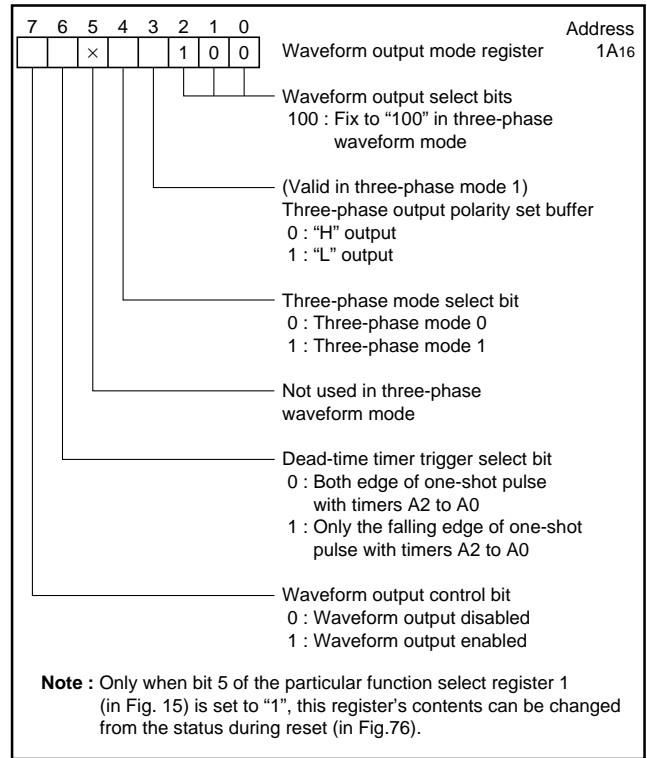


Fig. 41 Waveform output mode register bit configuration

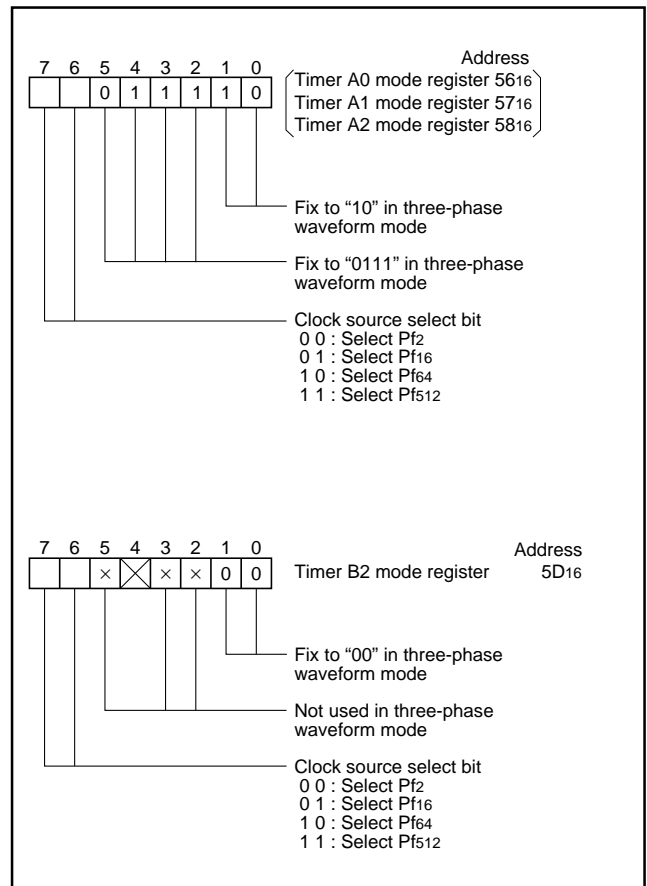
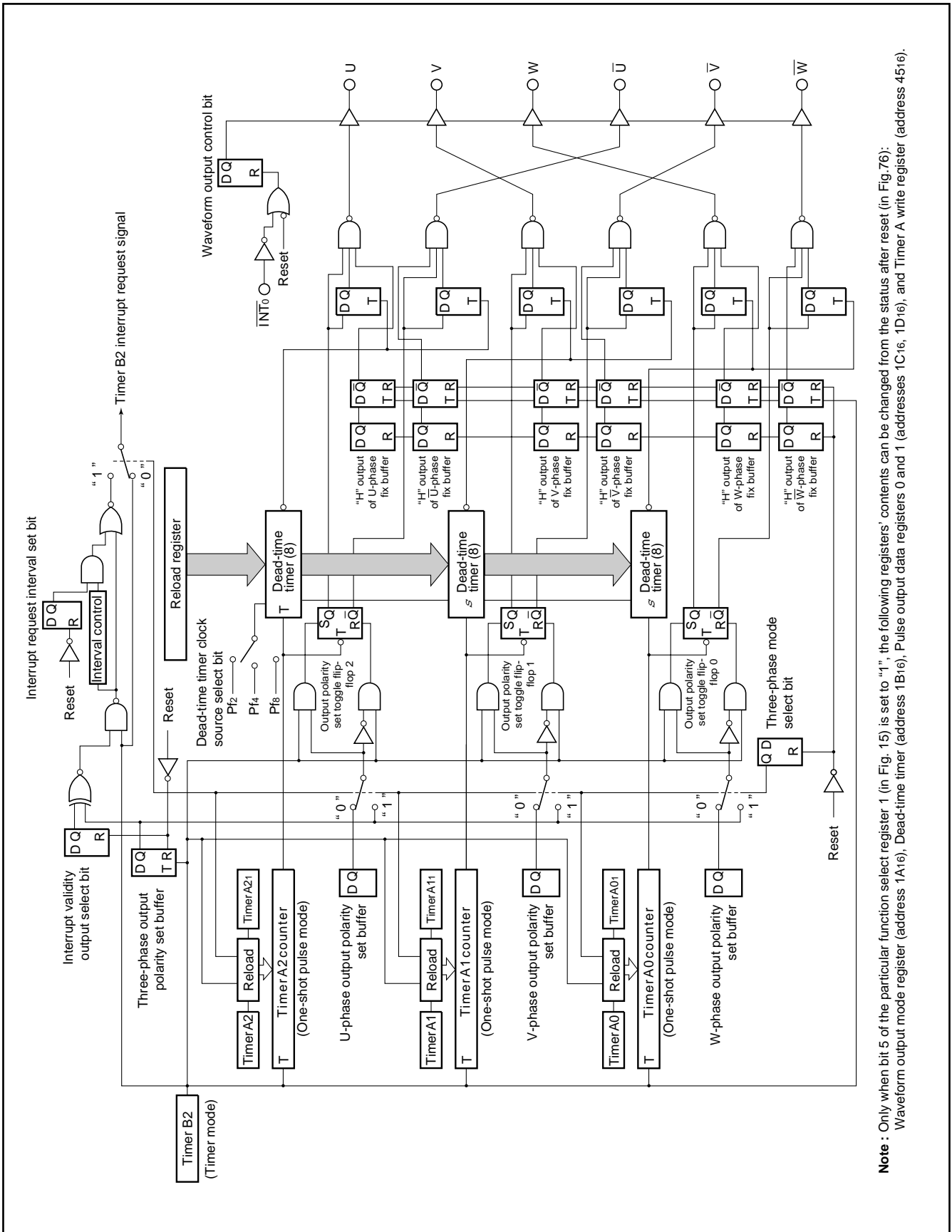


Fig. 42 Timer A0, A1, A2, mode register and timer B2 mode register bit configuration



**Note :** Only when bit 5 of the particular function select register 1 (in Fig. 15) is set to "1", the following registers' contents can be changed from the status after reset (in Fig.76):  
 Waveform output mode register (address 1A16), Dead-time timer (address 1B16), Pulse output data registers 0 and 1 (addresses 1C16, 1D16), and Timer A write register (address 4516).

Fig. 43 Three-phase waveform mode block diagram

**M37753M8C-XXXFP, M37753M8C-XXXHP  
 M37753S4CFP, M37753S4CHP**

SINGLE-CHIP 16-BIT CMOS MICROCOMPUTER

When writing data to the dead-time timer (address 1B<sub>16</sub>), the data is written to the reload register shared by three dead-time timers. When the dead-time timers catch the start trigger from the respective timers, the reload register contents are transferred to its counter and the dead-time timer decrements with the clock source selected by bits 6 and 7 of pulse output data register (address 1C<sub>16</sub>). Additionally, this timer can accept another trigger before completion of the preceding trigger operation. In this case, after transferring the reload register contents to the dead-time timer at acceptance of the trigger, the value is decremented.

The dead-time timer operates as a one-shot timer. Accordingly, this timer starts pulse output when the trigger is caught, and finishes pulse output and stops operation when its contents become "00<sub>16</sub>", and waits next trigger.

In the three-phase waveform mode, setting bit 7 of the waveform output mode register (address 1A<sub>16</sub>) to "1" makes positive waveforms (U, V, W phases) and their negative waveforms ( $\bar{U}$ ,  $\bar{V}$ ,  $\bar{W}$  phases) output from the respective ports. When that bit is "0", their ports are floating. That bit is cleared to "0" by inputting falling edge to the  $\bar{INT}_0$  pin or reset other than clearing by an instruction..

Additionally, setting bits 5 to 3 of the pulse output data register 1 (address 1C<sub>16</sub>) to "1" makes the corresponding positive waveforms fixed to "H", and setting bits 7 to 5 of the pulse output data register 0 (address 1D<sub>16</sub>) to "1" makes the corresponding negative waveforms fixed to "H".

When selecting the three-phase waveform mode,  $\bar{INT}_0$  pin become input-only pin.

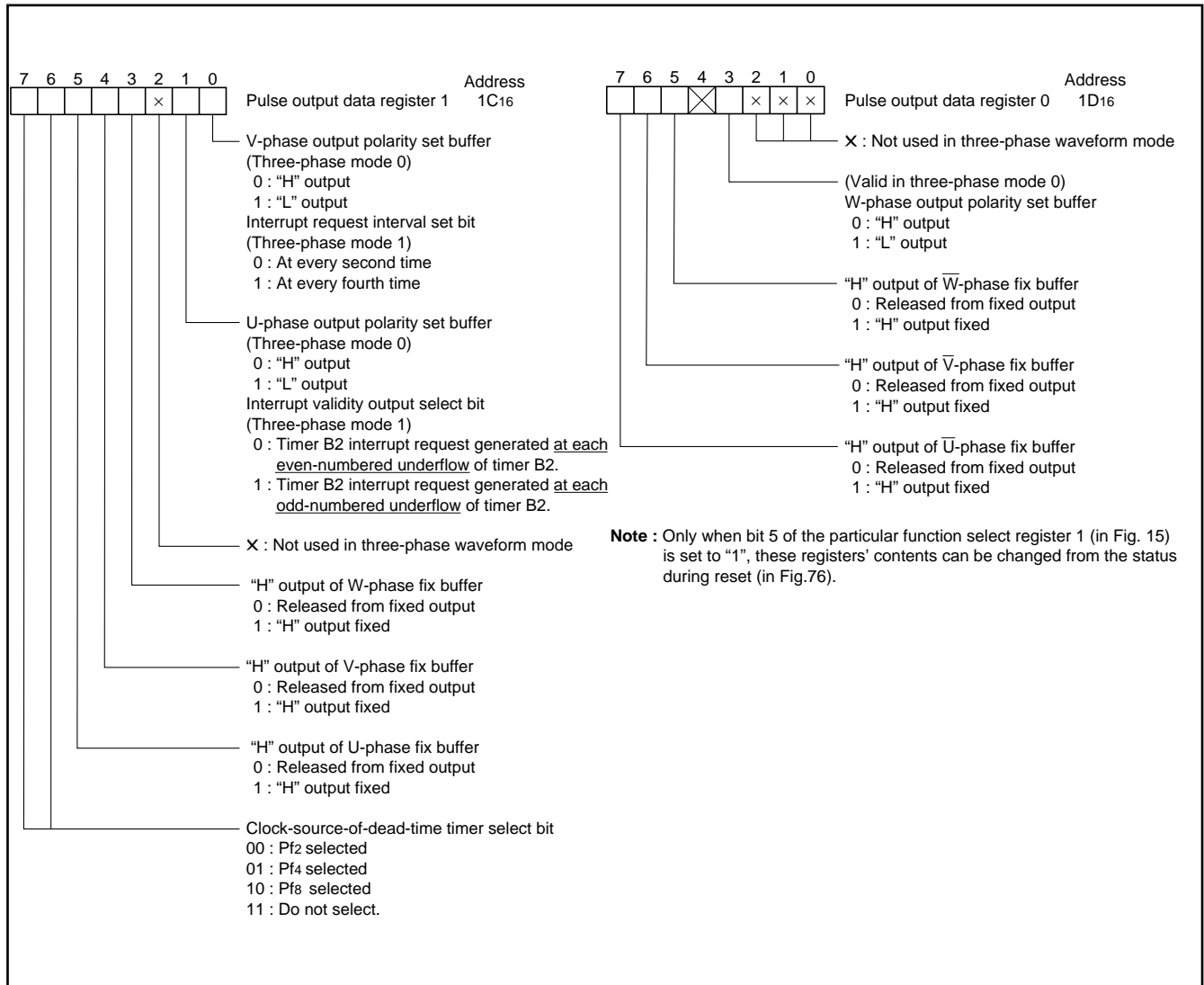


Fig. 44 Bit configuration of pulse output data registers 1 and 0 in three-phase waveform mode

# M37753M8C-XXXFP, M37753M8C-XXXHP M37753S4CFP, M37753S4CHP

SINGLE-CHIP 16-BIT CMOS MICROCOMPUTER

**PRELIMINARY**  
Notice: This is not a final specification.  
Some parametric limits are subject to change.

## Three-phase mode 0

In selecting three-phase waveform mode, three-phase mode 0 is selected by setting bit 4 of the waveform output mode register (address 1A16) to "0".

The output polarity of three-phase waveform depends on the output polarity set toggle flip-flop. The positive waveform of the three-phase waveform is "H" output when the toggle flip-flop is "0"; it is "L" output when the toggle flip-flop is "1". (Three-phase waveform is output as a negative waveform.)

Each output polarity set toggle flip-flop has the output polarity set buffer shown in Figure 44. When the timer B2's counter contents become 000016, the contents of output polarity set buffer are set into the output polarity set toggle flip-flop. After that, the polarity of the contents of output polarity set toggle flip-flop are reversed each time completion of one-shot pulse of timer (timers A2 to A0) corresponding to each phase.

Figure 45 shows an example of U-phase waveform and the output operation is explained. Three-phase mode 0 becomes valid when writing "0" to the U-phase output polarity set buffer (bit 1 at address 1C16) and actuating the timer B2. When the counter of timer B2 becomes 000016, the timer B2 interrupt request signal occurs and the timer A2 simultaneously starts one-shot pulse output. At this time, the contents of U-phase output polarity set buffer, "0" in this case, are set into the output polarity set toggle flip-flop 2.

When the one-shot pulse output of timer A2 is completed, the contents of output polarity set toggle flip-flop 2 is reversed from "0" to "1". Simultaneously, the one-shot pulse of the 8-bit dead-time timer is output for ensuring time not to overlap "L" levels of U phase waveform and its negative  $\bar{U}$  phase waveform.

The U-phase waveform output keeps "H" level from the start until the one-shot pulse output of the dead-time timer is completed, even if the contents of output polarity set toggle flip-flop 2 are reversed from "0" to "1" owing to the timer A2's one-shot pulse output. When the one-shot pulse output of the dead-time timer is completed, "1" of output polarity set toggle flip-flop 2 which has been reversed becomes valid and the U phase waveform changes to "L" level.

Then, write "1" to the U-phase output polarity set buffer (bit 1 at address 1C16) before the counter of timer B2 becomes 000016.

After that, when the counter of timer B2 becomes 000016, the timer A2 starts one-shot pulse output. Simultaneously, the contents of U-phase output polarity set buffer, "1" in this case, are set into the output polarity set toggle flip-flop 2 and the U phase waveform remains "L" level.

When the one-shot pulse output of timer A2 is completed, the contents of output polarity set toggle flip-flop 2 is reversed from "1" to "0". Simultaneously, the one-shot pulse output of the dead-time timer starts.

When the contents of output polarity set toggle flip-flop 2 are reversed from "1" to "0", the U-phase waveform changes its output level from "L" to "H" without waiting for completion of the one-shot pulse output of the dead-time timer.

U-phase waveform is generated by repeating the operation above. The way to generate  $\bar{U}$ -phase waveform, which is the negative phase of U-phase, is the same as that for U-phase waveform except that the contents of output polarity set toggle flip-flop 2 are treated as the reversed signal from the case of U-phase waveform.

In this way, U-phase waveform and  $\bar{U}$ -phase waveform, having the negative phase of U-phase, are output from the pins so that their "L" levels do not overlap each other. The width of "L" level can be also modified by changing the value of timer B2 or timer A2.

V-, W-phase waveform and  $\bar{V}$ -,  $\bar{W}$ -phase waveform, having their negative phase, are similarly output according to the corresponding timer operation.

The explanation above is an example of three-phase waveform generating due to an triangular wave modulation. Three-phase waveform due to a saw-tooth-wave modulation can also be generated by fixing each beginning level of phases.

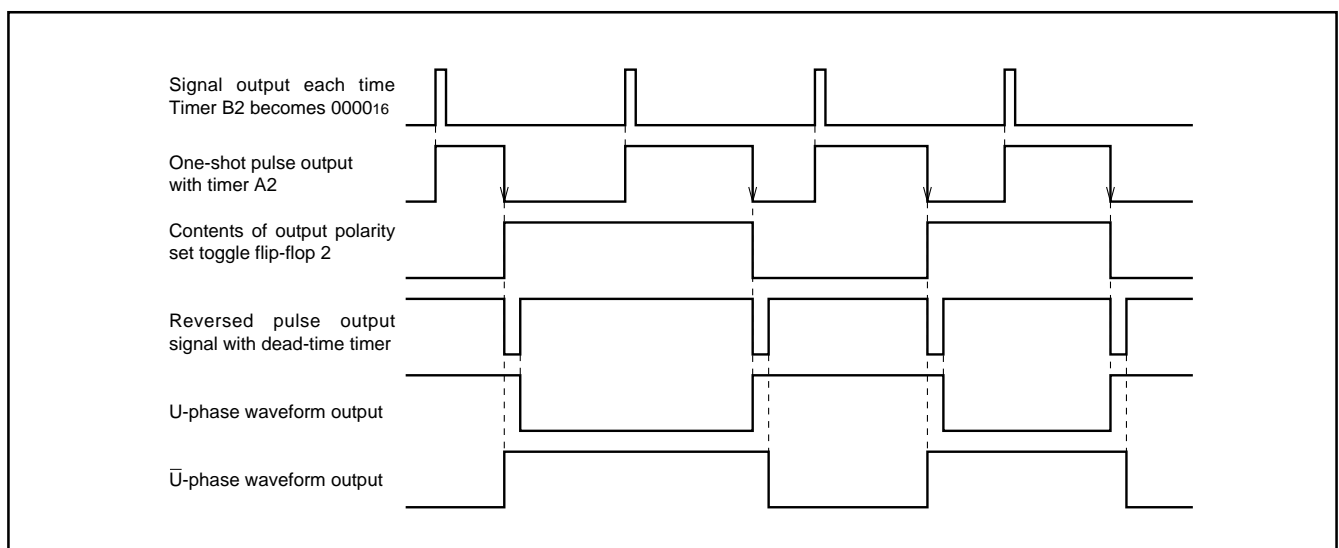


Fig. 45 U-phase waveform output example in three-phase mode 0 (triangular wave modulation)

**Three-phase mode 1**

In selecting three-phase waveform mode, three-phase mode 1 is selected by setting bit 4 of the waveform output mode register (address 1A<sub>16</sub>) to "1".

In this mode, each of timers A0 to A2 can have two timer registers and the contents of those registers are alternately reloaded into the counter each time the counter of timer B2 becomes 0000<sub>16</sub>. About write operation to two timer registers, when rewriting to each timer register of timers A0, A1 and A2 after writing to each timer register of them, the data is written each to timers A0<sub>1</sub>, A1<sub>1</sub> and A2<sub>1</sub>. When writing to each timer register, the timer A write register (in Figure 46) indicates the timer to be intended for write.

The interrupt request normally occurs when the counter of timer B2 becomes 0000<sub>16</sub>. However, this occurrence interval can be switched between "every second time" and "every fourth time." Bit 0 of the pulse output data register 1 (address 1C<sub>16</sub>) selects that.

Additionally, "0" or "1" of the three-phase output polarity set buffer can be used as the occurrence factor of timer B2 interrupt request. Bit 1 of the pulse output data register 1 (address 1C<sub>16</sub>) selects that. When the timer B2's counter contents become 0000<sub>16</sub>, the contents of three-phase output polarity set buffer are set into the output polarity set toggle flip-flop on which the output polarity of three-phase waveform depends. The contents of three-phase output polarity set buffer are reversed after that operation.

The polarity of the contents of output polarity set toggle flip-flop is reversed each time completion of one-shot pulse of timer (timers A2 to A0) corresponding to each phase.

Figure 47 shows an example of U-phase waveform and the output operation is explained.

Write "0" to the three-phase output polarity set buffer (bit 3 at address 1A<sub>16</sub>). Clear the interrupt request interval set bit (bit 0 at address 1C<sub>16</sub>) to "0" so that the timer B2 interrupt request may occur at every second time. Additionally, clear the interrupt validity output select bit (bit 1 at address 1C<sub>16</sub>) so that the timer B2 interrupt request may occur at "0" of the three-phase output polarity set buffer.

After the procedure above, three-phase mode 1 starts operation when actuating the timer B2.

When the counter of timer B2 becomes 0000<sub>16</sub>, the timer B2 interrupt request occurs and timer A2 simultaneously starts one-shot pulse output. At this time, the contents of three-phase output polarity set buffer, "0" in this case, are set into the output polarity set toggle flip-flop 2. The contents of three-phase output polarity set buffer are reversed from "0" to "1" after that operation.

When the timer A2 counter counts the value written into the timer A2 and the one-shot pulse output of timer A2 is completed, the contents of output polarity set toggle flip-flop 2 are reversed from "0" to "1". Simultaneously, the one-shot pulse of the 8-bit dead-time timer is output for ensuring time, so that "L" levels of U- and  $\bar{U}$ -phase waveforms do not overlap.

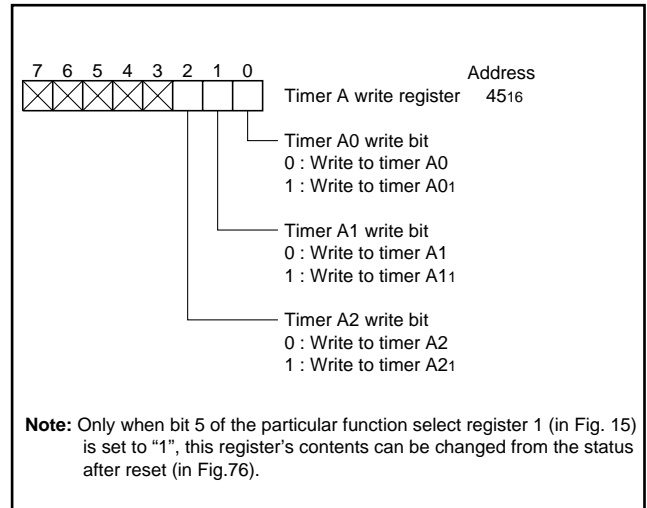


Fig. 46 Timer A write flag bit configuration

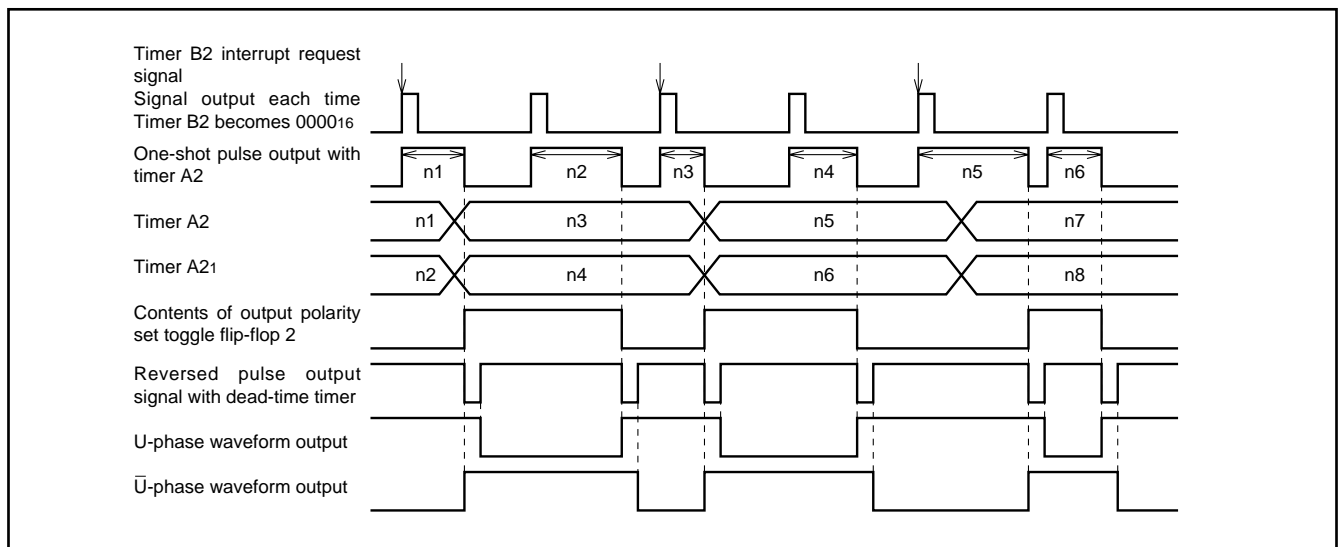


Fig. 47 U-phase waveform output example in three-phase mode 1 (triangular wave modulation)

# M37753M8C-XXXFP, M37753M8C-XXXHP M37753S4CFP, M37753S4CHP

SINGLE-CHIP 16-BIT CMOS MICROCOMPUTER

---

The U-phase waveform output keeps "H" level from the start until the one-shot pulse output of the dead-time timer is completed, even if the contents of output polarity set toggle flip-flop 2 are reversed from "0" to "1" owing to the timer A2's one-shot pulse output.

When the one-shot pulse output of the dead-time timer is completed, "1" of output polarity set toggle flip-flop 2 which has been reversed becomes valid and the U-phase waveform changes to "L" level.

Then, when the counter of timer B2 becomes  $0000_{16}$ , the timer A2 counter counts the value written into timer A2 and timer A2 starts one-shot pulse output. Simultaneously, the contents of three-phase output polarity set buffer are set into the output polarity set toggle flip-flop 2. However, the U-phase waveform remains "L" level, because the value is the same ("1").

The contents of three-phase output polarity set buffer are reversed from "1" to "0" after that operation.

When the one-shot pulse output of timer A2 is completed, the contents of output polarity set toggle flip-flop 2 is reversed from "1" to "0". Simultaneously, the one-shot pulse output of the dead-time timer starts.

When the contents of output polarity set toggle flip-flop 2 is reversed from "1" to "0", the U-phase waveform changes its output level from "L" to "H" without waiting for completion of the one-shot pulse output of the dead-time timer.

U-phase waveform is generated by repeating the operation above.

The way to generate  $\bar{U}$ -phase waveform, which is the negative phase of U-phase, is the same as that for U-phase waveform except that the contents of output polarity set toggle flip-flop 2 is treated as the reversed signal from the case of U-phase waveform.

In this way, U-phase waveform and  $\bar{U}$ -phase waveform, having the negative phase of U-phase, are output from the pins so that their "L" levels do not overlap each other. The width of "L" level can be also modified by changing the value of timer B2, timer A2 or timer A2<sub>1</sub>.

V-, W-phase waveform and  $\bar{V}$ -,  $\bar{W}$ -phase waveform, having their negative phase, are similarly output according to the corresponding timer operation.



**Pulse output port mode**

Figure 48 shows the pulse output port mode block diagram. This mode has an 8-bit pulse output port. The waveform output select bits (bits 0 to 2) of waveform output mode register (address 1A16, Figure 49) select use of pulse output port. The 8-bit pulse output port is divided into 4 bits and 4 bits, or 6 bits and 2 bits with the pulse output mode select bit (bit 4) of pulse output data register 1 (address 1C16, Figure 51) ; each of them can be individually controlled.

Set timers A1 and A0 to the timer mode because they are used in the pulse output mode. Additionally, set bit 2 of the corresponding timer Ai mode register to "1" to use a pulse output port because the pulse output port is multiplexed with the TAIOUT (i = 0 to 4). Figure 50 shows the bit configuration of timer A1 and A0 mode registers in the pulse output port mode.

Timers A1 and A0 start count when setting the corresponding timer count start flag to "1", and they stop it when clearing that flag to "0".

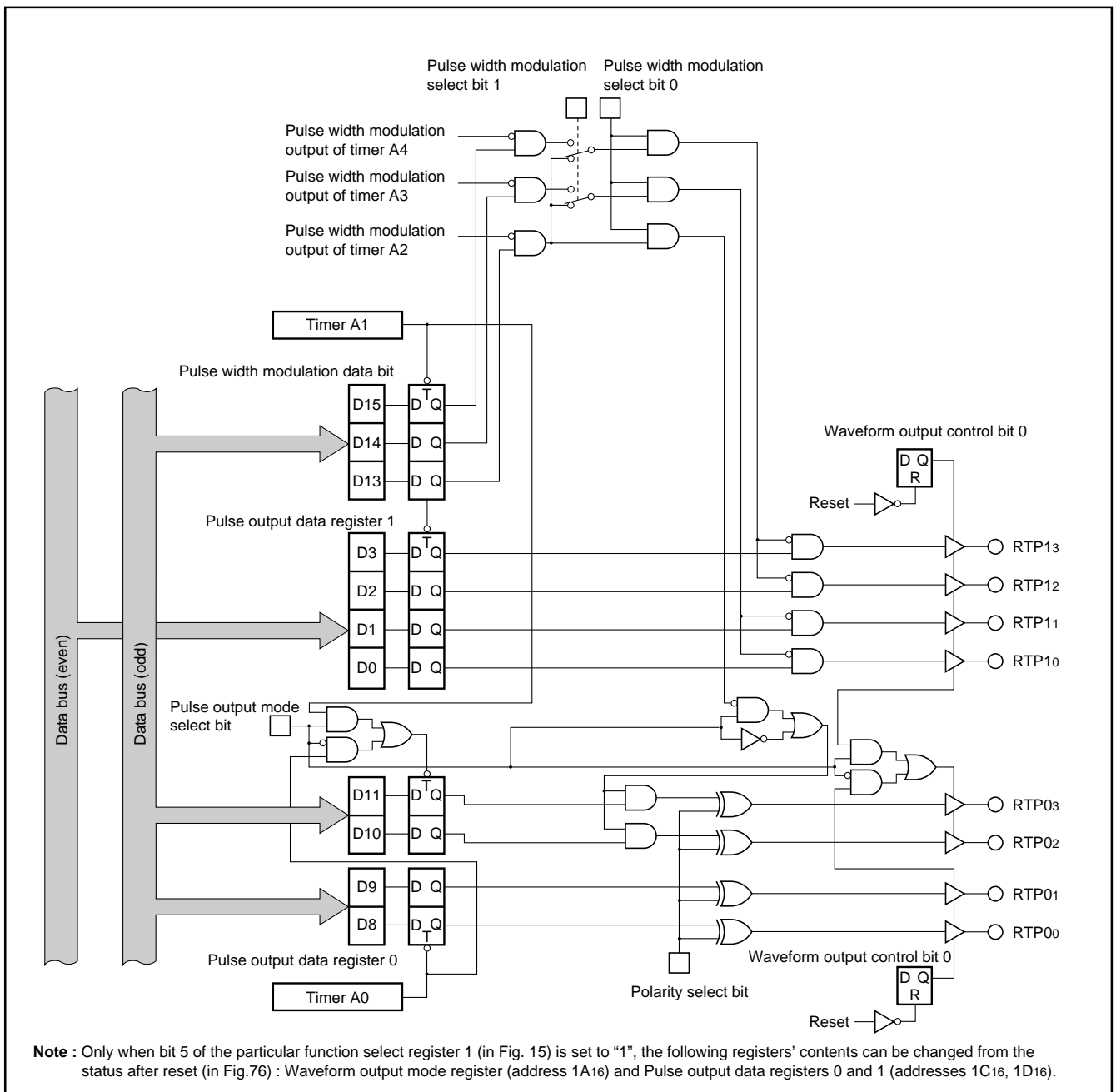


Fig. 48 Pulse output port mode block diagram

**M37753M8C-XXXFP, M37753M8C-XXXHP  
 M37753S4CFP, M37753S4CHP**

SINGLE-CHIP 16-BIT CMOS MICROCOMPUTER

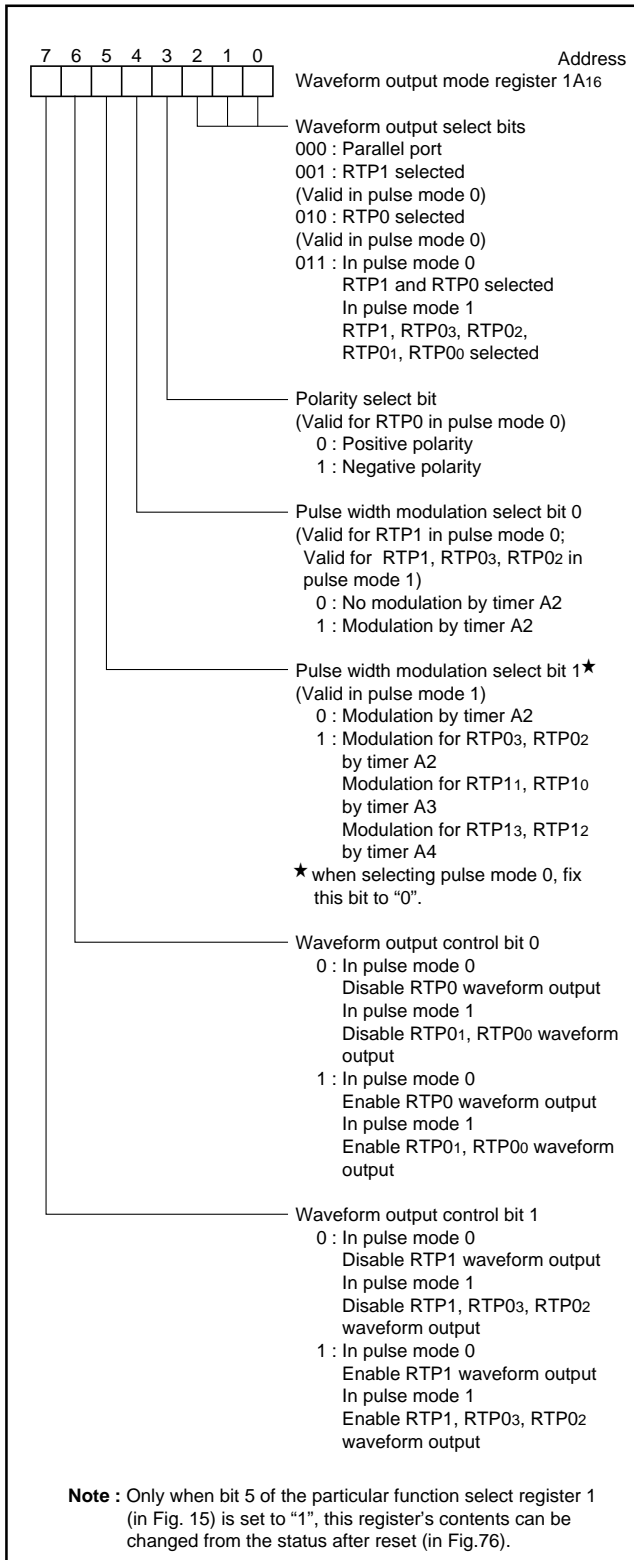


Fig. 49 Bit configuration of waveform output mode register in pulse output port mode

**Pulse mode 0**

This mode divides a pulse output port into 4 bits and 4 bits and individually controls them.

When setting the pulse output mode select bit to "0", and setting bits 2 and 1 to "0" and bit 0 to "1" of the waveform output select bits, four of RTP13, RTP12, RTP11, and RTP10 become the pulse output ports with RTP1 selected.

When setting the pulse output mode select bit to "0", and setting bits 2 and 0 to "0" and bit 1 to "1" of the waveform output select bits, four of RTP03, RTP02, RTP01, RTP00 become the pulse output ports with RTP0 selected.

When setting the pulse output mode select bit to "0", and setting bit 2 to "0" and bits 1 and 0 to "1" of the waveform output select bits, the following two groups become the pulse output ports with RTP1 and RTP0 selected:

- Four of RTP13, RTP12, RTP11, RTP10
- Four of RTP03, RTP02, RTP01, RTP00.

Each time the contents of timer A1 counter become 0000<sub>16</sub>, the contents of pulse output data register 1 (low-order 4 bits at address 1C<sub>16</sub>) corresponding to RTP13, RTP12, RTP11, RTP10 are output from ports.

Each time the contents of timer A0 counter become 0000<sub>16</sub>, the contents of pulse output data register 0 (low-order 4 bits at address 1D<sub>16</sub>) corresponding to RTP03, RTP02, RTP01, RTP00 are output from ports.

When writing "0" to the specified bit of pulse output data register, "L" level is output from the pulse output port when the contents of corresponding timer counter become 0000<sub>16</sub>; when writing "1" to it, "H" level is output from the pulse output port.

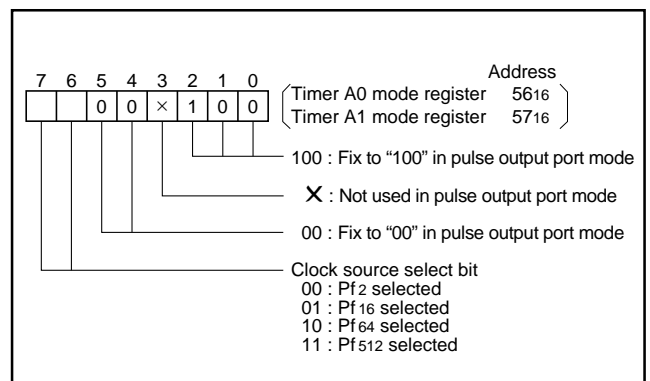


Fig. 50 Bit configuration of timer A1 and A0 mode registers in pulse output port mode

**M37753M8C-XXXFP, M37753M8C-XXXHP  
 M37753S4CFP, M37753S4CHP**

SINGLE-CHIP 16-BIT CMOS MICROCOMPUTER

Additionally, pulse width modulation can be applied for the pulse output port RTP1. Because the timer A2 is used for pulse width modulation, actuate timer A2 in the pulse width modulation mode. When any bit of pulse output data is "1", the pulse to which pulse width modulation is applied is output from the pulse output port when the contents of timer A1 counter become 0000<sub>16</sub>.

Pulse width modulation by timer A2 is applied when setting the pulse width modulation select bit 0 (bit 4) of waveform output mode register to "1", pulse width modulation select bit 1 (bit 5) to "0," and the pulse width modulation data bit of RTP1 (bit 5) of pulse output data register 0 to "1".

RTP0<sub>3</sub>, RTP0<sub>2</sub>, RTP0<sub>1</sub> and RTP0<sub>0</sub> can output the contents of pulse output data register 0 by setting the polarity select bit (bit 3) of waveform output mode register. When the polarity select bit is "1", the reversed contents of pulse output data register 0 is output; when that bit is "0", the contents of pulse output data register 0 are output as it is. Figure 52 shows example waveforms in the pulse mode 0.

In ports selecting the pulse mode 0, output of RTP0<sub>3</sub>, RTP0<sub>2</sub>, RTP0<sub>1</sub> and RTP0<sub>0</sub> is controlled by the waveform output control bit 0 (bit 6) of waveform output mode register; output of RTP1<sub>3</sub>, RTP1<sub>2</sub>, RTP1<sub>1</sub> and RTP1<sub>0</sub> is done by the waveform output control bit 1 (bit 7).

When setting the waveform output control bit to "1", waveform is output from the corresponding port. When clearing that bit to "0", waveform output from the corresponding port stops, and the port becomes floating. The waveform output control bits are cleared to "0" by reset other than clearing with instructions.

**Pulse mode 1**

This mode divides a pulse output port into 6 bits and 2 bits, and individually controls them.

When setting the pulse output mode select bit to "1", and setting bit 2 to "0" and bits 1 and 0 to "1" of the waveform output select bits, the following two groups become the pulse output ports:

- Six of RTP1<sub>3</sub>, RTP1<sub>2</sub>, RTP1<sub>1</sub>, RTP1<sub>0</sub>, RTP0<sub>3</sub>, RTP0<sub>2</sub>
- Two of RTP0<sub>1</sub>, RTP0<sub>0</sub>.

Timer A1 controls six of RTP1<sub>3</sub>, RTP1<sub>2</sub>, RTP1<sub>1</sub>, RTP1<sub>0</sub>, RTP0<sub>3</sub>, and RTP0<sub>2</sub>; timer A0 controls two of RTP0<sub>1</sub>, RTP0<sub>0</sub>.

Additionally, pulse width modulation can be applied for the pulse output ports (RTP1, RTP0<sub>3</sub>, RTP0<sub>2</sub>). The pulse width modulation select bit 1 (bit 5) of waveform output mode register selects the type of modulation: the common modulation to six of RTP1<sub>3</sub>, RTP1<sub>2</sub>, RTP1<sub>1</sub>, RTP1<sub>0</sub>, RTP0<sub>3</sub> and RTP0<sub>2</sub> or the modulation to every two ports of RTP1<sub>3</sub> and RTP1<sub>2</sub>, RTP1<sub>1</sub> and RTP1<sub>0</sub>, RTP0<sub>3</sub> and RTP0<sub>2</sub>.

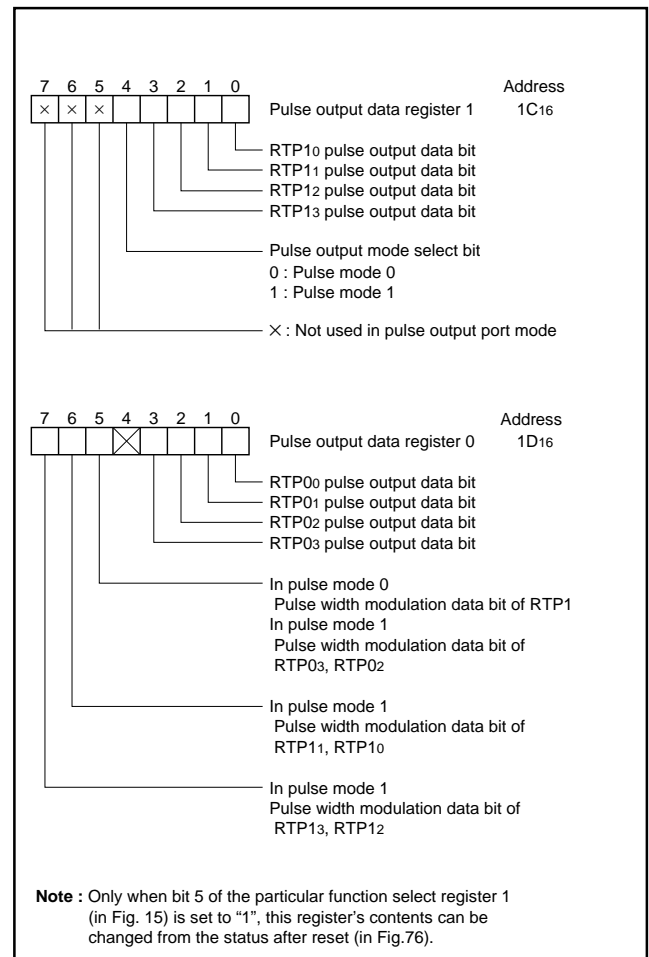
When setting that bit to "0", the common modulation to six ports is applied; when setting that bit to "1", the modulation to every two ports is applied. The timer A2 is used for the common modulation to six ports; the timers A2, A3 and A4 are used for the modulation to every two ports. Accordingly, actuate the respective timers in the pulse width modulation mode. When any bit of pulse output data is "1", the pulse to which pulse width modulation is applied is output from the pulse output port when the contents of timer A1 counter become 0000<sub>16</sub>.

Pulse width modulation by corresponding timers is applied when setting the pulse width modulation select bit 0 of waveform output mode register to "1" and the corresponding pulse width modulation data bits (bits 7 to 5) of pulse output data register 0 to "1".

The polarity select bit (bit 3) of waveform output mode register must be "0" to select the positive polarity. The other operations are the same as that of pulse mode 0. Figure 53 shows example waveforms in the pulse mode 1.

In ports selecting the pulse mode 1, output of RTP0<sub>1</sub> and RTP0<sub>0</sub> is controlled by the waveform output control bit 0 (bit 6) of waveform output mode register; output of RTP1<sub>3</sub>, RTP1<sub>2</sub>, RTP1<sub>1</sub>, RTP1<sub>0</sub>, RTP0<sub>3</sub> and RTP0<sub>2</sub> is done by the waveform output control bit 1 (bit 7).

When setting the waveform output control bit to "1", waveform is output from the corresponding port. When clearing that bit to "0", waveform output from the corresponding port stops and the port becomes floating. The waveform output control bits are cleared to "0" by reset other than clearing with instructions.



**M37753M8C-XXXFP, M37753M8C-XXXHP**  
**M37753S4CFP, M37753S4CHP**

SINGLE-CHIP 16-BIT CMOS MICROCOMPUTER

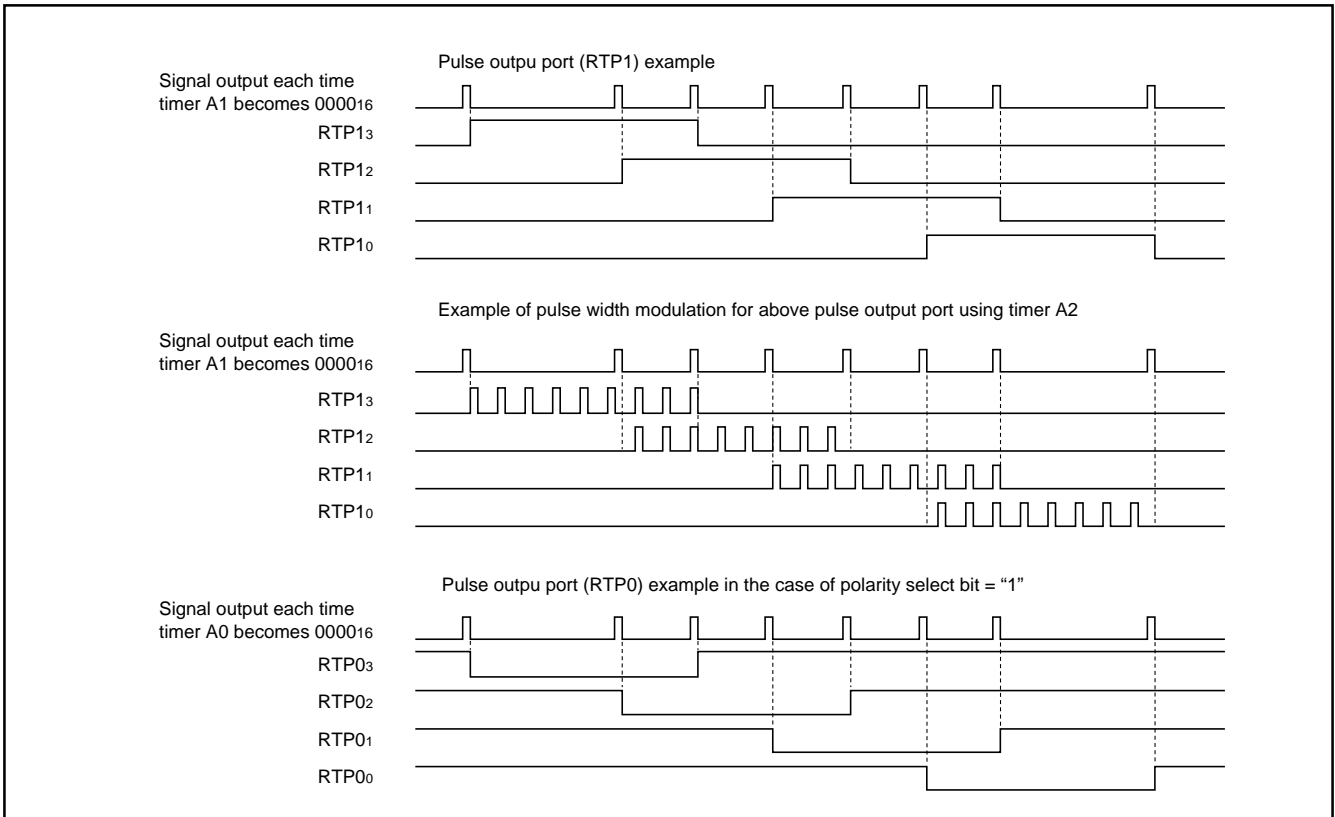


Fig. 52 Example waveforms in pulse mode 0

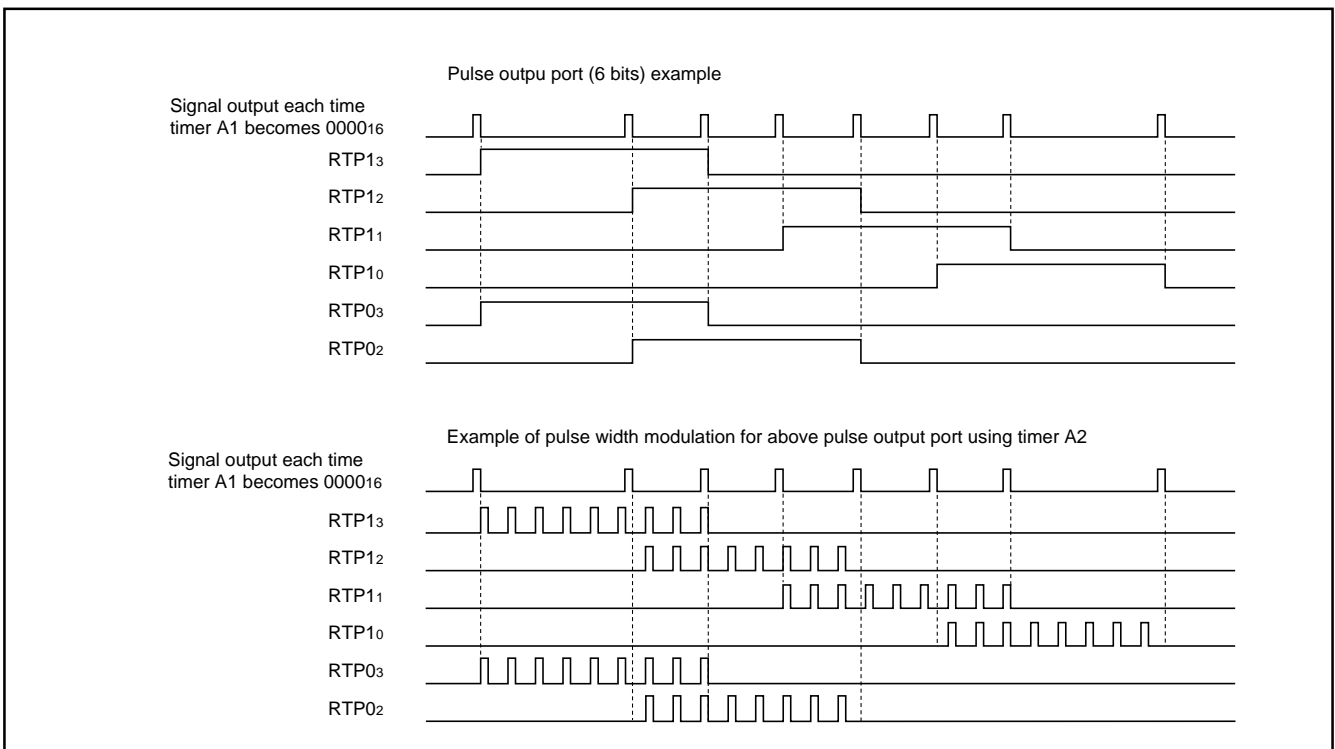


Fig. 53 Example waveforms in pulse mode 1

**SERIAL I/O PORTS**

Two independent serial I/O ports are provided. Figure 54 shows a block diagram of the serial I/O ports. Bits 0, 1, and 2 of the UART<sub>i</sub>(i = 0,1) Transmit/Receive mode register shown in Figure 55 are used to determine whether to use port P8 as parallel port, clock synchronous serial I/O port, or asynchronous

(UART) serial I/O port using start and stop bits. Figures 56 and 57 show the connections of receiver/transmitter according to the mode. Figure 58 shows the bit configuration of the UART<sub>i</sub> Transmit/Receive control register. Each communication method is described below.

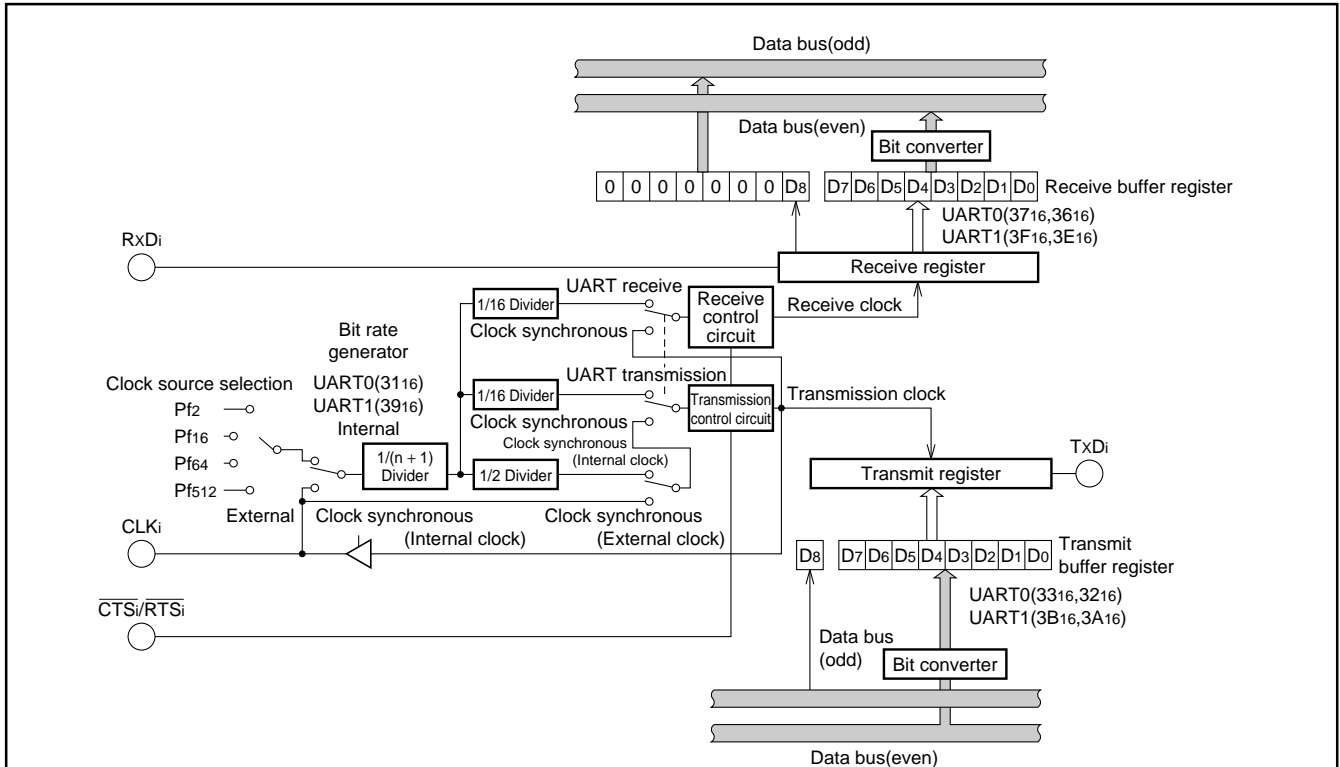


Fig. 54 Serial I/O port block diagram

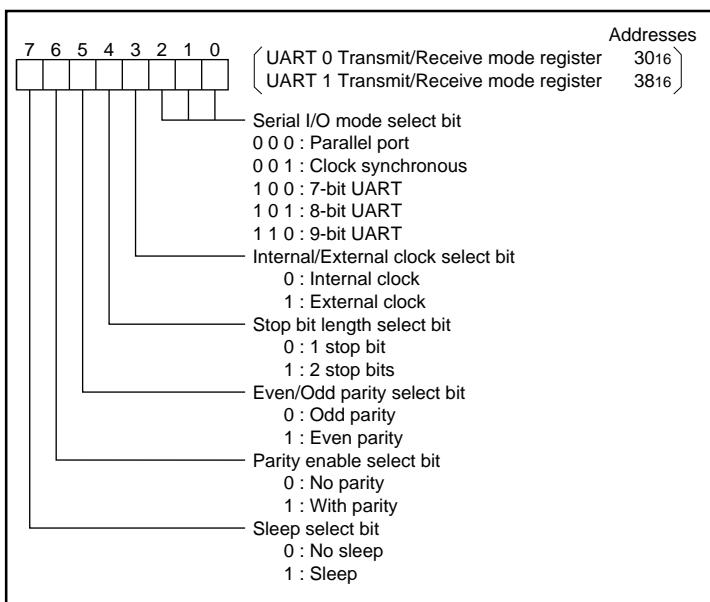


Fig. 55 UART<sub>i</sub> Transmit/Receive mode register bit configuration

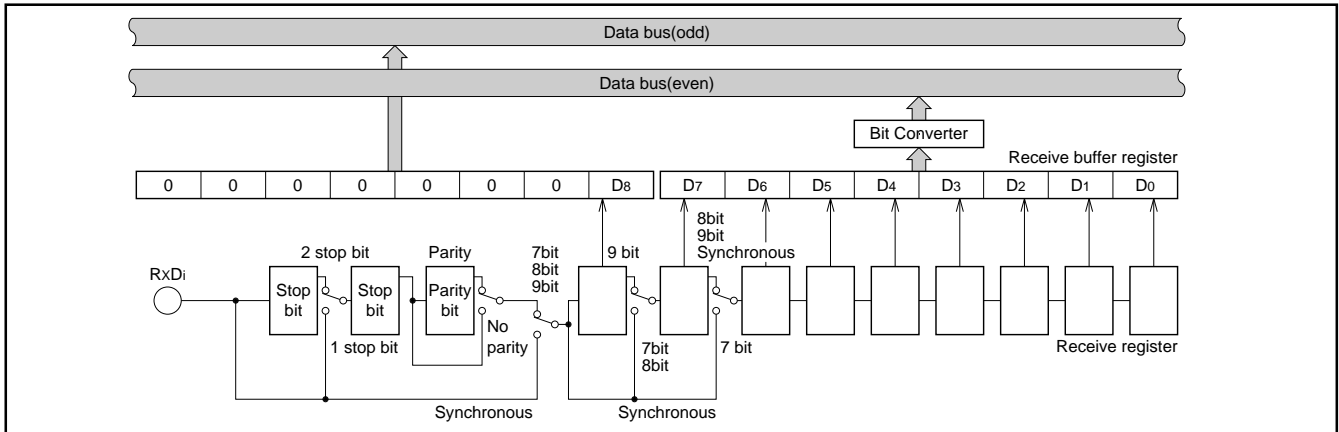


Fig. 56 Receiver block diagram

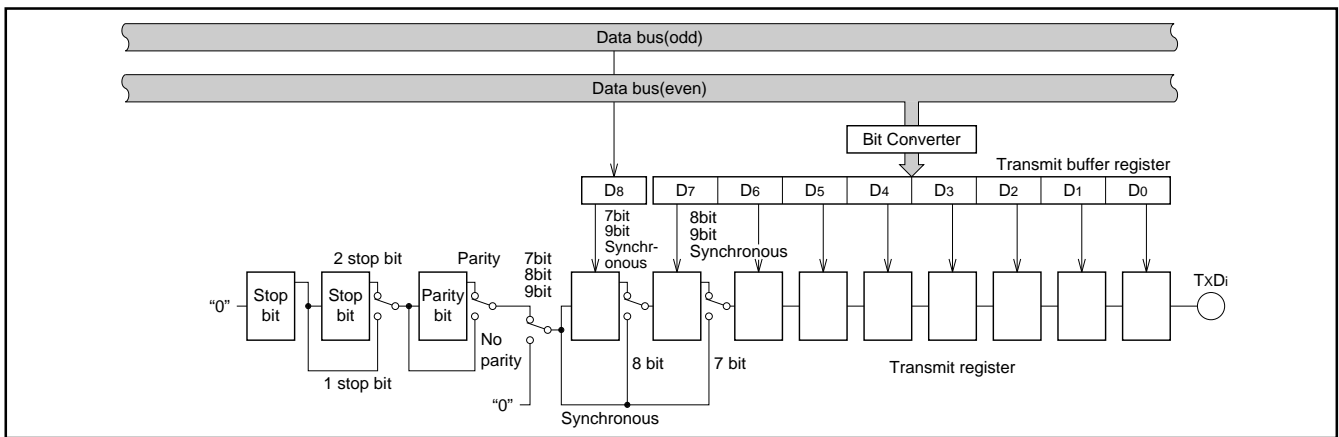


Fig. 57 Transmitter block diagram

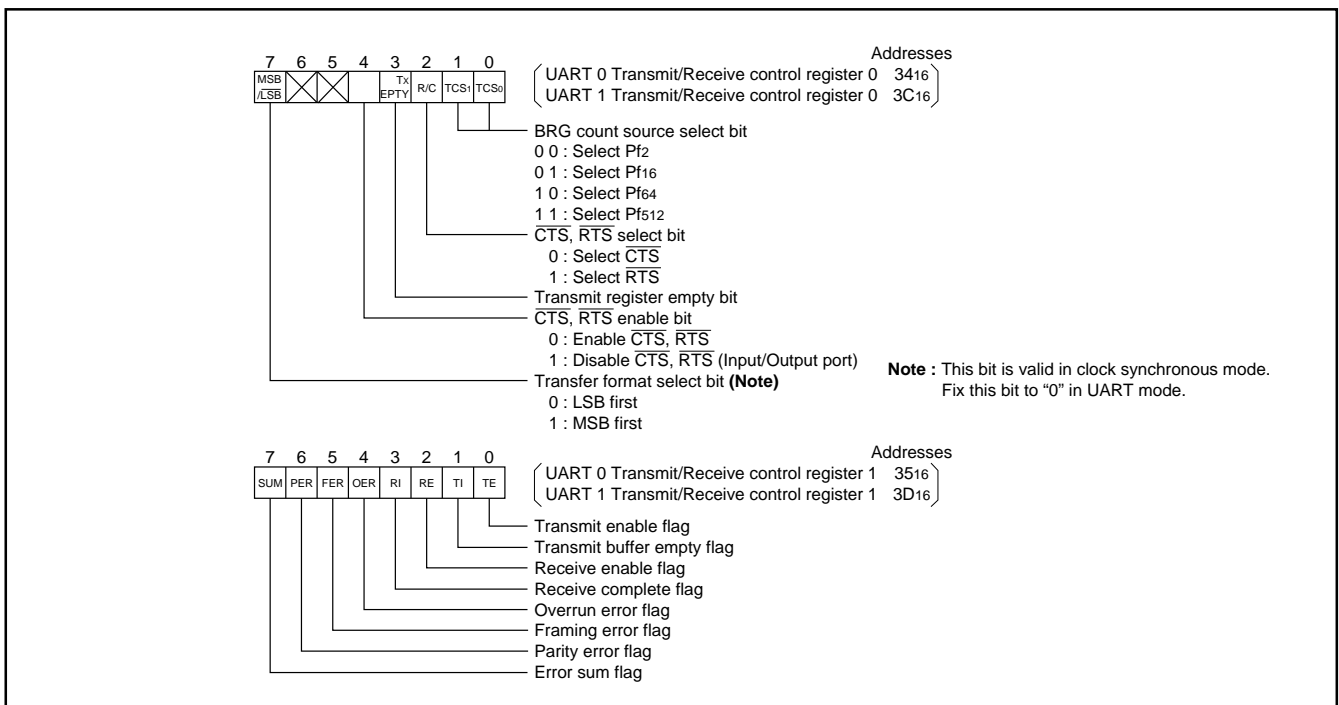


Fig. 58 UARTi Transmit/Receive control register bit configuration

**CLOCK SYNCHRONOUS SERIAL COMMUNICATION**

A case where communication is performed between two clock synchronous serial I/O ports as shown in Figure 59 will be described. (The transmission side will be denoted by subscript j and the receiving side will be denoted by subscript k.)

Bit 0 of the UARTj Transmit/Receive mode register and UARTk Transmit/Receive mode register must be set to "1" and bits 1 and 2 must be "0". The length of the transmission data is fixed at 8 bits.

Bit 3 of the UARTj Transmit/Receive mode register of the clock sending side is cleared to "0" to select the internal clock. Bit 3 of the UARTk Transmit/Receive mode register of the clock receiving side is set to "1" to select the external clock. Bits 4, 5 and 6 are ignored in clock synchronous mode. Bit 7 must always be "0".

The clock source is selected by bit 0 (TCS0) and bit 1 (TCS1) of the clock-sending-side UARTj Transmit/Receive control register 0. As shown in Figure 54, the selected clock is divided by (n+1), then by 2, is passed through a transmission control circuit, and is output as

transmission clock CLKk. Therefore, when the selected clock is Pfi,

$$\text{Bit Rate} = Pfi / \{(n+1) \times 2\}$$

On the clock receiving side, the TCS0 and TCS1 bits of the UARTk Transmit/Receive control register 0 are ignored because an external clock is selected.

Bit 2 of the clock-sending-side UARTj Transmit/Receive control register 0 is cleared to "0" to select CTSj input. Bit 2 of the clock receiving side is set to "1" to select RTSk output.

Bit 4 of the UART Transmit/Receive control register 0 is used to determine whether to use CTS or RTS signal. Bit 4 must be "0" when CTS or RTS signal is used. Bit 4 must be "1" when CTS and RTS signals are not used. When CTS and RTS signals are not used, CTS/RTS pin can be used as a normal port. The case using CTS and RTS signals are explained below. However, when CTS and RTS signals are not used, there are no condition of CTSj input, and there is no RTSk output.

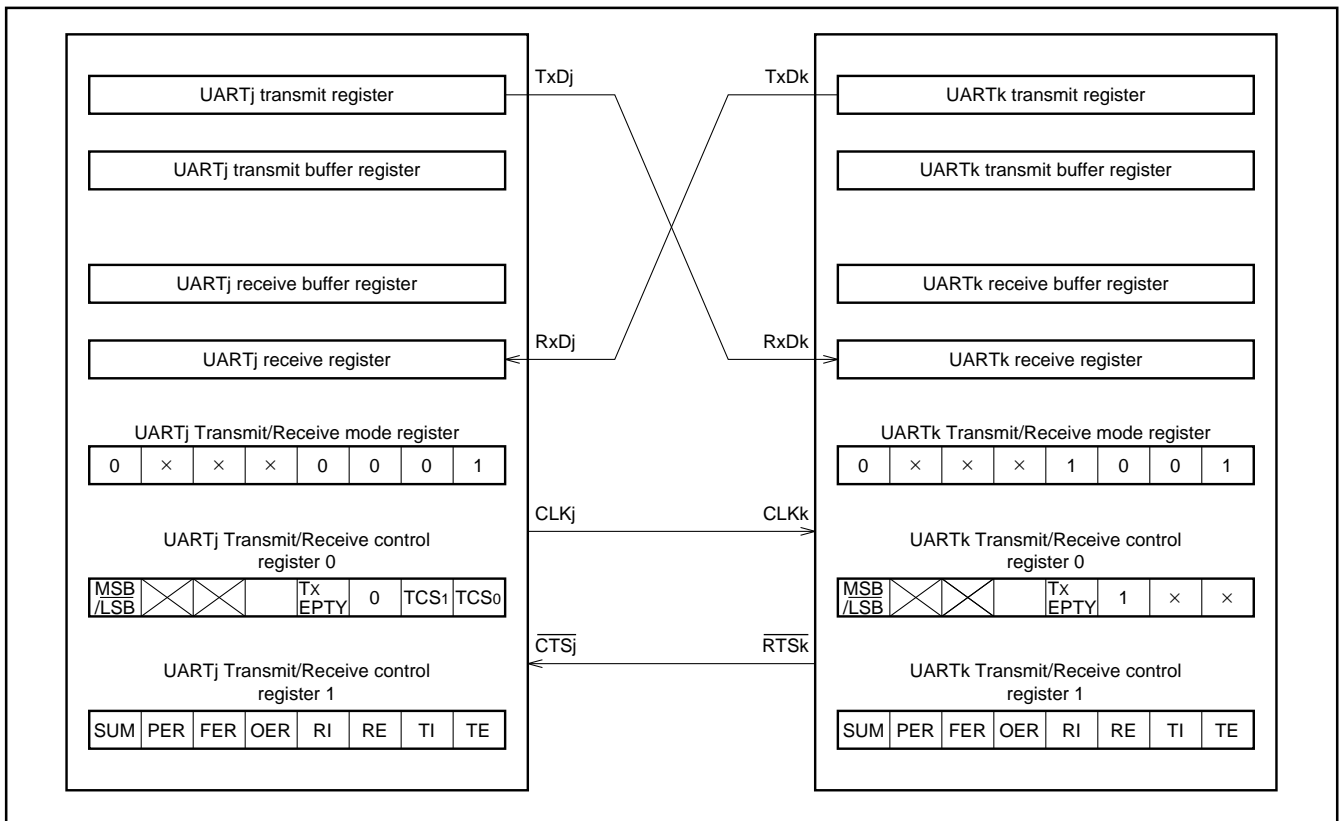


Fig. 59 Clock synchronous serial communication

M37753M8C-XXXFP, M37753M8C-XXXHP  
M37753S4CFP, M37753S4CHP

SINGLE-CHIP 16-BIT CMOS MICROCOMPUTER

**PRELIMINARY**  
Notice: This is not a final specification.  
Some parametric limits are subject to change.

**Transmission**

Transmission is started when bit 0 (TE<sub>j</sub> flag) of UART<sub>j</sub> Transmit/Receive control register 1 is "1", bit 1 (TI<sub>j</sub> flag) of one is "0", and  $\overline{CTS}_j$  input is "L". As shown in Figure 60, data is output from Tx<sub>Dj</sub> pin each time when transmission clock CLK<sub>j</sub> changes from "H" to "L". The data is output from the least significant bit.

The TI<sub>j</sub> flag indicates whether the transmit buffer register is empty or not. It is cleared to "0" when data is written in the transmit buffer register and set to "1" when the contents of the transmit buffer register is transferred to the transmit register.

When the transmit register becomes empty after the contents has been transmitted, data is transferred automatically from the transmit buffer register to the transmit register if the next transmission start condition is satisfied. If bit 2 of UART<sub>j</sub> Transmit/Receive control register 0 is "1",  $\overline{CTS}_j$  input is ignored, and transmission start is controlled only by the TE<sub>j</sub> flag and TI<sub>j</sub> flag. Once transmission has started, the TE<sub>j</sub> flag, TI<sub>j</sub> flag, and  $\overline{CTS}_j$  signals are ignored until data transmission completes. Therefore, transmission is not interrupt when  $\overline{CTS}_j$  input is changed to "H" during transmission.

The transmission start condition indicated by TE<sub>j</sub> flag, TI<sub>j</sub> flag, and  $\overline{CTS}_j$  is checked while the TEND<sub>j</sub> signal (shown in Figure 60) is "H". Therefore, data can be transmitted continuously if the next transmission data is written in the transmit buffer register and TI<sub>j</sub> flag is cleared to "0" before the TEND<sub>j</sub> signal goes "H".

Bit 3 (TxEMPTY<sub>j</sub> flag) of UART<sub>j</sub> Transmit/Receive control register 0

changes to "1" at the next cycle just after the TEND<sub>j</sub> signal goes "H" and changes to "0" when transmission starts. Therefore, this flag can be used to determine whether data transmission has completed.

When the TI<sub>j</sub> flag changes from "0" to "1", the interrupt request bit in the UART<sub>j</sub> transmit interrupt control register is set to "1".

In only UART<sub>0</sub>, data can be output to a maximum of 3 external receive devices. This is realized under the condition in which the internal clock is selected and the transmission clock is output from one of pins CLK<sub>0</sub>, CLKS<sub>0</sub> (multiplexed with Rx<sub>D0</sub>) and CLKS<sub>1</sub> (multiplexed with  $\overline{CTS}_0/\overline{RTS}_0$ ). Make sure that do not switch the selection of the clock during transmission. Figure 61 shows an external connection example.

Plural output of transmit clock mode is set with bits 1 and 0 of the particular function select register 1. Additionally, it is necessary to select the internal clock, disable  $\overline{CTS}$  and RTS, receive and D-A output with the UART<sub>0</sub> Transmit/Receive mode register, UART<sub>0</sub> Transmit/Receive control registers 0 and 1, and A-D control register 1. Figure 62 shows the relevant registers bit configuration in plural output of transmit clock mode and Figure 63 shows the particular function select register 1 bit configuration.

Table 6 shows the function of the particular function select register 1's bits 1 and 0, which is the output pin of transmit clock select bits: TC<sub>1</sub> and TC<sub>0</sub>. According to this table, select the CLK<sub>0</sub>, CLKS<sub>0</sub> or CLKS<sub>1</sub> pin corresponding to the contents of TC<sub>1</sub> and TC<sub>0</sub>, and output the transmit clock.

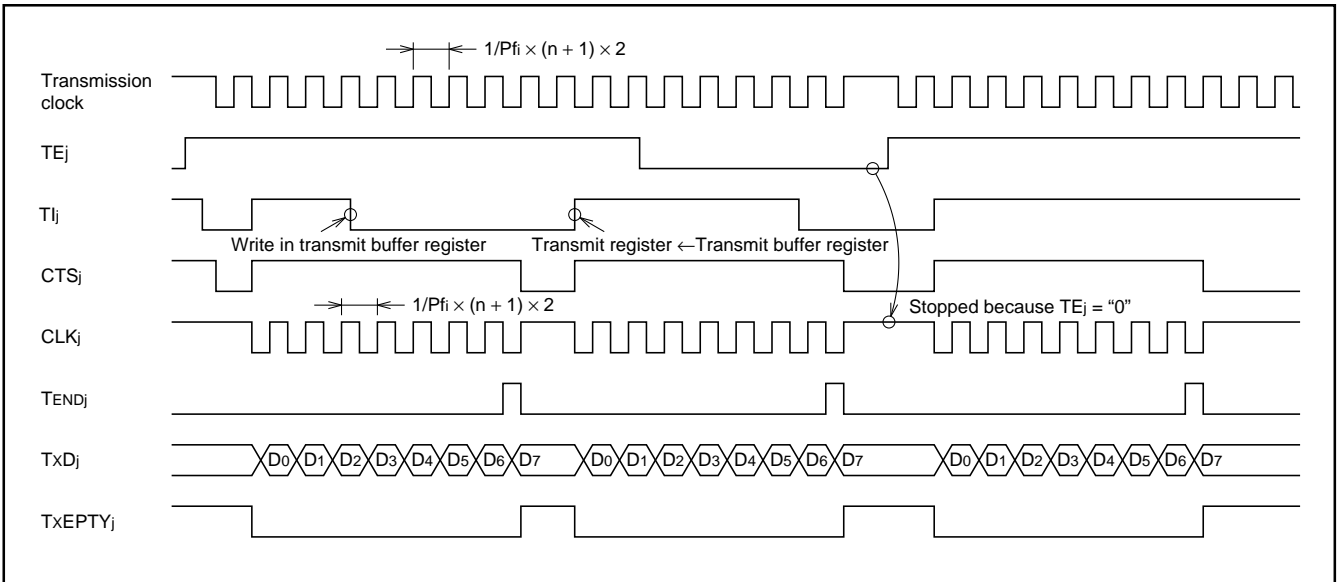


Fig. 60 Clock synchronous serial I/O timing



**M37753M8C-XXXFP, M37753M8C-XXXHP  
 M37753S4CFP, M37753S4CHP**

SINGLE-CHIP 16-BIT CMOS MICROCOMPUTER

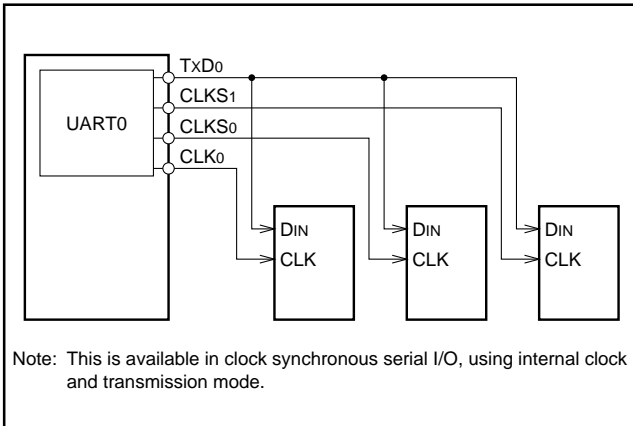


Fig. 61 External connection example in plural output of transmit clock mode

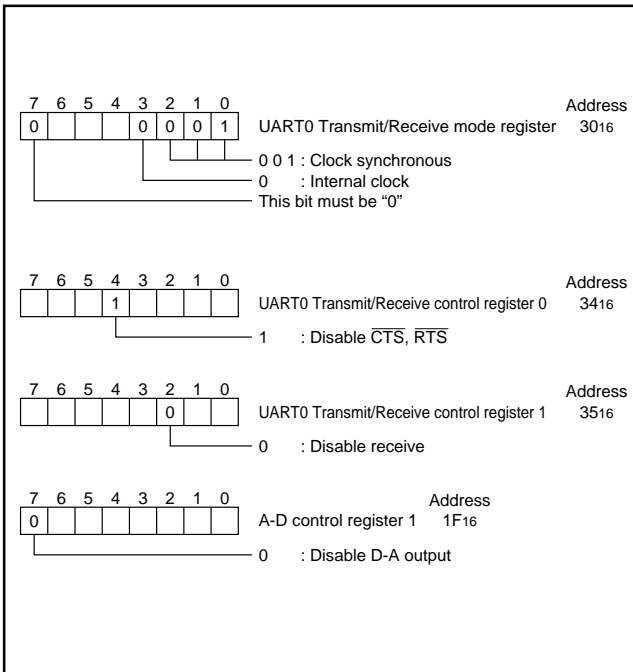


Fig. 62 Relevant registers except special function select register 1 bit configuration in plural output of transmit clock mode

Table 6. Output pin of transmit clock select bits and pins' function

Output pin of transmit clock select bits		Pin name		
TC1	TC0	P81/CLK0	P82/RxD0	P80/CTS0/RTS0/DA0
0	0	CLK0	RxD0	P80/CTS0/RTS0/DA0
0	1	CLK0	"H" (Note)	P80
1	0	"H"	CLKS2	P80
1	1	"H"	"H" (Note)	CLKS1

Note: It outputs "H" when bit 2 of the port P8 direction register is "1", and it becomes floating when bit 2 is "0".

**Receive**

Receive starts when bit 2 (REK flag) of UARTk Transmit/Receive control register 1 is set to "1".

The RTSk output is "H" when the REK flag is "0" and goes "L" when the REK flag changed to "1" and the Tlk flag did to "0". It goes back to "H" when receive starts. The Tlk flag is cleared to "0" by write dummy data to the transmit buffer register. It is ready to receive when RTSk output is "L".

The data from the RxDk pin is retrieved and the contents of the receive register is shifted by 1 bit each time when the transmission clock CLKj changes from "L" to "H." When an 8-bit data is received, the contents of the receive register is transferred to the receive buffer register and bit 3 (RIk flag) of UARTk Transmit/Receive control register 1 is set to "1". In other words, the setting "1" to the RIk flag indicates that the receive buffer register contains the received data. When the RIk flag changes from "0" to "1", the interrupt request bit in the UARTk receive interrupt control register is set to "1". Bit 4 (OERk flag) of UARTk Transmit/Receive control register 1 is set to "1" when the next data is transferred from the receive register to the receive buffer register while RIk flag is "1", and indicates that the next data was transferred to the receive register before the contents of the receive buffer register was read. RIk flag is automatically cleared to "0" when the low-order byte of the receive buffer register is read or when the REK flag is cleared to "0". The OERk flag is cleared when the REK flag is cleared or port P8 is set to a parallel port. Bit 5 (FERk flag), bit 6 (PERk flag), and bit 7 (SUMk flag) are ignored in clock synchronous mode.

When reading the contents of the receive buffer register, the received data is pulled from the least significant bit (LSB) in the received order if bit 7 (TEM) of the UARTj Transmit/Receive control registers 0 is "0". If bit 7 (TEM) is "1", the received data is pulled from the most significant bit (MSB).

As shown in Figure 54, with clock synchronous serial communication, data cannot be received unless the transmitter is operating because the receive clock is created from the transmission clock. Therefore, the transmitter must be operating even when there is no need to sent data from UARTk to UARTj.

**M37753M8C-XXXFP, M37753M8C-XXXHP  
 M37753S4CFP, M37753S4CHP**

SINGLE-CHIP 16-BIT CMOS MICROCOMPUTER

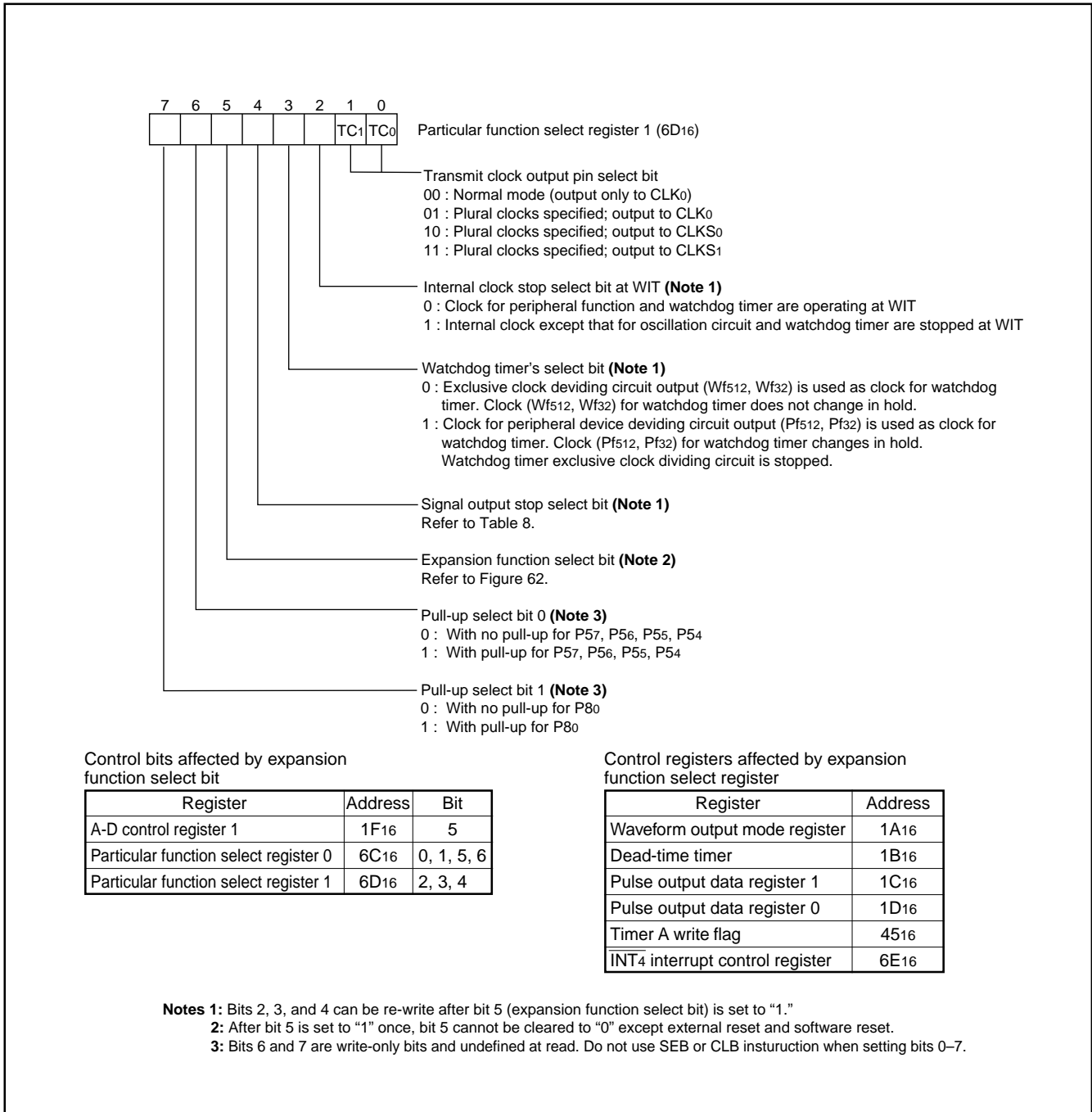


Fig. 63 Particular function select register 1 bit configuration

**M37753M8C-XXXFP, M37753M8C-XXXHP**  
**M37753S4CFP, M37753S4CHP**

SINGLE-CHIP 16-BIT CMOS MICROCOMPUTER

**Selection of transfer format**

In clock synchronous serial communication, transfer format can be selected by bit 7 of the Transmit/Receive control register 0. When bit 7 is "0", transfer format is LSB first. When bit 7 is "1", transfer format is MSB first.

This function is realized by changing connection relation between

the transmit buffer register and the receive buffer register when writing transmit data to the transmit buffer register or reading receive data from the receive buffer register. Accordingly, the transmitter's operation is the same in both transfer formats.

Figure 64 shows the connection relation.

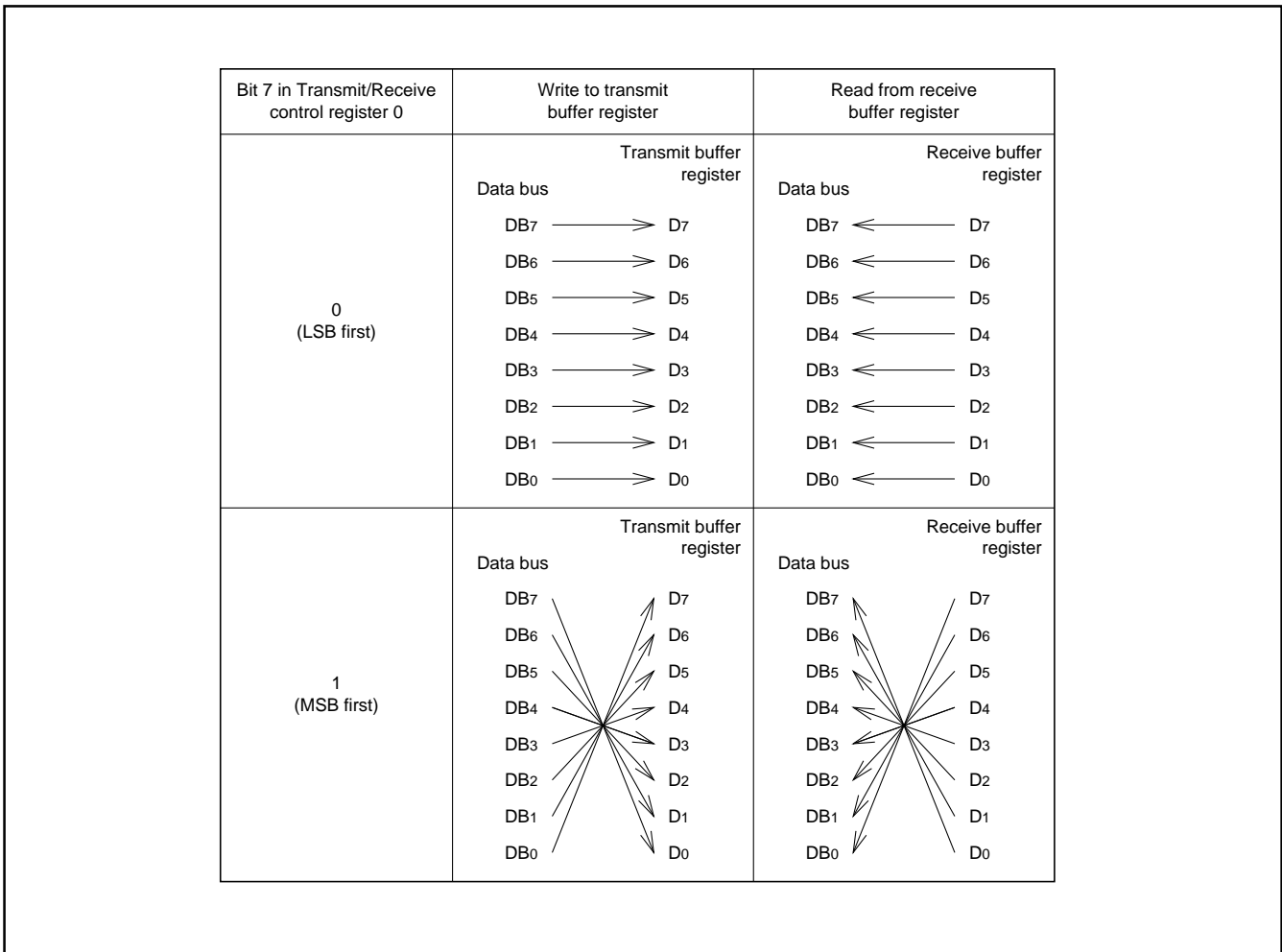


Fig. 64 Connection relation between transmit buffer register, receive buffer register, and data bus

# M37753M8C-XXXFP, M37753M8C-XXXHP M37753S4CFP, M37753S4CHP

SINGLE-CHIP 16-BIT CMOS MICROCOMPUTER

## ASYNCHRONOUS SERIAL COMMUNICATION

Asynchronous serial communication can be performed using 7-, 8-, or 9-bit length data. The operation is the same for all data lengths. The following is the description for 8-bit asynchronous communication.

With 8-bit asynchronous communication, bit 0 of UART<sub>i</sub> Transmit/Receive mode register is "1", bit 1 is "0", and bit 2 is "1".

Bit 3 is used to select an internal clock or an external clock. If bit 3 is "0", an internal clock is selected and if bit 3 is "1", then external clock is selected. If an internal clock is selected, bit 0 (TCS<sub>0</sub>) and bit 1 (TCS<sub>1</sub>) of UART<sub>i</sub> Transmit/Receive control register 0 are used to select the clock source. When an internal clock is selected for asynchronous serial communication, the CLK<sub>i</sub> pin can be used as a normal I/O pin.

The selected internal or external clock is divided by (n+1), then by 16, and is passed through a control circuit to create the UART transmission clock or UART receive clock.

Therefore, the transmission speed can be changed by changing the contents (n) of the bit rate generator. If the selected clock is an internal clock P<sub>fi</sub> or an external clock f<sub>EXT</sub>,

$$\text{Bit Rate} = (P_{fi} \text{ or } f_{EXT}) / \{(n+1) \times 16\}$$

Bit 4 is the stop bit length select bit to select 1 stop bit or 2 stop bits.

Bit 5 is a select bit of odd parity or even parity.

In the odd parity mode, the parity bit is adjusted so that the sum of 1s in the data and parity bit is always odd.

In the even parity mode, the parity bit is adjusted so that the sum of the 1s in the data and parity bit is always even.

Bit 6 is the parity bit select bit which indicates whether to add parity bit or not.

Bits 4 to 6 must be set or reset according to the data format used in the communicating devices.

Bit 7 is the sleep select bit. The sleep mode is described later.

The UART<sub>i</sub> Transmit/Receive control register 0 bit 2 is used to determine whether to use  $\overline{\text{CTS}}_i$  input or  $\overline{\text{RTS}}_i$  output.

$\overline{\text{CTS}}_i$  input is used if bit 2 is "0" and  $\overline{\text{RTS}}_i$  output is used if bit 2 is "1". If  $\overline{\text{CTS}}_i$  input is selected, the user can control whether to stop or start transmission by external  $\overline{\text{CTS}}_i$  input.

Bit 4 of the UART Transmit/Receive control register 0 is used to determine whether to use  $\overline{\text{CTS}}$  or  $\overline{\text{RTS}}$  signal. Bit 4 must be "0" when  $\overline{\text{CTS}}$  or  $\overline{\text{RTS}}$  signal is used. Bit 4 must be "1" when  $\overline{\text{CTS}}$  or  $\overline{\text{RTS}}$  signal is not used. When  $\overline{\text{CTS}}$  or  $\overline{\text{RTS}}$  signal is not used,  $\overline{\text{CTS}}/\overline{\text{RTS}}$  pin can be used as a normal port. The case using  $\overline{\text{CTS}}$  and  $\overline{\text{RTS}}$  signals are explained below. However, when  $\overline{\text{CTS}}$  and  $\overline{\text{RTS}}$  signals are not used, there are no condition of  $\overline{\text{CTS}}_i$  input, and there is no  $\overline{\text{RTS}}_i$  output.

Clear UART<sub>j</sub> Transmit/Receive control register 0 bit 7 to "1" in asynchronous communication.

**M37753M8C-XXXFP, M37753M8C-XXXHP  
 M37753S4CFP, M37753S4CHP**

SINGLE-CHIP 16-BIT CMOS MICROCOMPUTER

**Transmission**

Transmission is started when bit 0 (TEi flag) of UARTi Transmit/Receive control register 1 is "1", bit 1 (Tli flag) is "0", and CTSi input is "L" if CTSi input is selected. As shown in Figures 65 and 66, data is output from the TxDi pin with the stop bit or parity bit specified by bits 4 to 6 of UARTi Transmit/Receive mode register. The data is output from the least significant bit.

The Tli flag indicates whether the transmit buffer is empty or not. It is cleared to "0" when data is written in the transmit buffer, and is set to "1" when the contents of the transmit buffer register is transferred to the transmit register.

When the transmit register becomes empty after the contents has been transmitted, data is transferred automatically from the transmit buffer register to the transmit register if the next transmit start condition is satisfied.

Once transmission has started, the TEi flag, Tli flag, and CTSi signal (if CTSi input is selected) are ignored until data transmission is completed.

Therefore, transmission does not stop until it completes event if the TEi flag is cleared during transmission.

The transmission start condition indicated by TEi flag, Tli flag, and CTSi is checked while the TENDi signal shown in Figure 65 is "H". Therefore, data can be transmitted continuously if the next transmission data is written in the transmit buffer register and Tli flag is cleared to "0" before the TENDi signal goes "H".

Bit 3 (TxEMPTYi flag) of UARTi Transmit/Receive control register 0 changes to "1" at the next cycle just after the TENDi signal goes "H" and changes to "0" when transmission starts. Therefore, this flag can be used to determine whether data transmission is completed.

When the Tli flag changes from "0" to "1", the interrupt request bit of the UARTi transmit interrupt control register is set to "1".

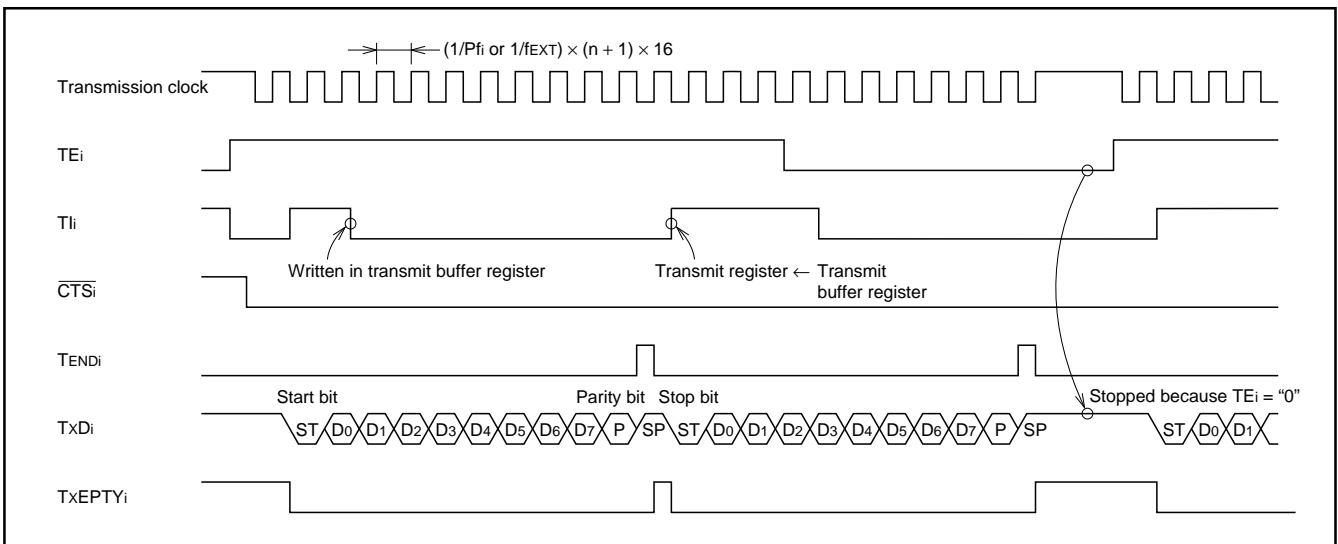


Fig. 65 Transmit timing example when 8-bit asynchronous communication with parity and 1 stop bit selected

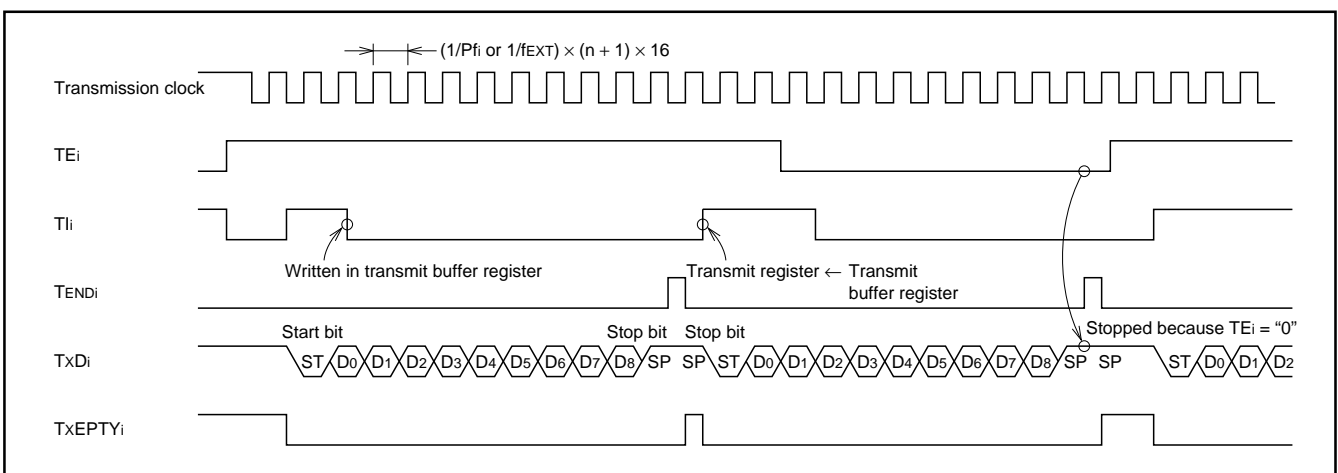


Fig. 66 Transmit timing example when 9-bit asynchronous communication with no parity and 2 stop bits selected

**M37753M8C-XXXFP, M37753M8C-XXXHP  
M37753S4CFP, M37753S4CHP**

SINGLE-CHIP 16-BIT CMOS MICROCOMPUTER

**PRELIMINARY**  
Notice: This is not a final specification.  
Some parametric limits are subject to change.

**Receive**

Receive is enabled when bit 2 (REi flag) of UARTi Transmit/Receive control register 1 is set to "1." As shown in Figure 67, the frequency divider circuit (1/16) at the receiving side begin to work when a start bit arrives and the data is received.

If RTSi output is selected by setting bit 2 of UARTi Transmit/Receive control register 0 to "1", the RTSi output is "H" when the REi flag is "0". When the REi flag changes to "1", the RTSi output goes "L" to indicate receive ready and returns to "H" once receive has started. In other words,  $\overline{\text{RTSi}}$  output can be used to determine externally whether the receive register is ready to receive.

The entire transmission data bits are received when the start bit passes the final bit of the receive block shown in Figure 56. At this point, the contents of the receive register is transferred to the receive buffer register and bit 3 (Rli flag) of UARTi Transmit/Receive control register 1 is set to "1." In other words, the Rli flag indicates that the receive buffer register contains data when it is set to "1." If RTSi output is selected, RTSi output goes "L" to indicate that the register is ready to receive the next data.

The interrupt request bit of the UARTi receive interrupt control register is set to "1" when the Rli flag changes from "0" to "1".

Bit 4 (OERi flag) of UARTi Transmit/Receive control register 1 is set to "1" when the next data is transferred from the receive register to the receive buffer register while the Rli flag is "1", in other words, when an overrun error occurs. If the OERi flag is "1", it indicates that the next data has been transferred to the receive buffer register before the contents of the receive buffer register has been read.

Bit 5 (FERi flag) is set to "1" when the number of stop bits is less than required (framing error).

Bit 6 (PERi flag) is set to "1" when a parity error occurs.

Bit 7 (SUMi flag) is set to "1" when either the OERi flag, FERi flag, or the PERi flag is set to "1." Therefore, the SUMi flag can be used to determine whether there is an error.

The setting of the Rli flag, OERi flag, FERi flag, and the PERi flag is performed while transferring the contents of the receive register to the receive buffer register. The Rli, FERi, and PERi flags are cleared

to "0" when reading the low-order byte of the receive buffer register or when writing "0" to the REi flag or when setting to a parallel port. The OERi and SUMi flags are cleared to "0" when writing "0" to the REi flag or when setting to a parallel port.

The SUMi flag is cleared to "0" when the OERi, FERi, PERi flags are cleared to "0" all.

**Sleep mode**

The sleep mode is used to communicate only between certain microcomputers when multiple microcomputers are connected through serial I/O.

The microcomputer enters the sleep mode when bit 7 of UARTi Transmit/Receive mode register is set to "1."

The operation of the sleep mode for an 8-bit asynchronous communication is described below.

When sleep mode is selected, the contents of the receive register is not transferred to the receive buffer register if bit 7 (bit 6 if 7-bit asynchronous communication and bit 8 if 9-bit asynchronous communication) of the received data is "0". Also the Rli, OERi, FERi, PERi, and the SUMi flag are unchanged. Therefore, the interrupt request bit of the UARTi receive interrupt control register is also unchanged. Normal receive operation takes place when bit 7 of the received data is "1".

The following is an example of how the sleep mode can be used.

The main microcomputer first sends data: bit 7 is "1" and bits 0 to 6 are set to the address of the subordinate microcomputer to be communicated with. Then all subordinate microcomputers receive this data. Each subordinate microcomputer checks the received data, clears the sleep bit to "0" if bits 0 to 6 are its own address and sets the sleep bit to "1" if not. Next, the main microcomputer sends data with bit 7 cleared. Then the microcomputer which cleared the sleep bit will receive the data, but the microcomputers which set the sleep bit to "1" will not. In this way, the main microcomputer is able to communicate only with the designated microcomputer.

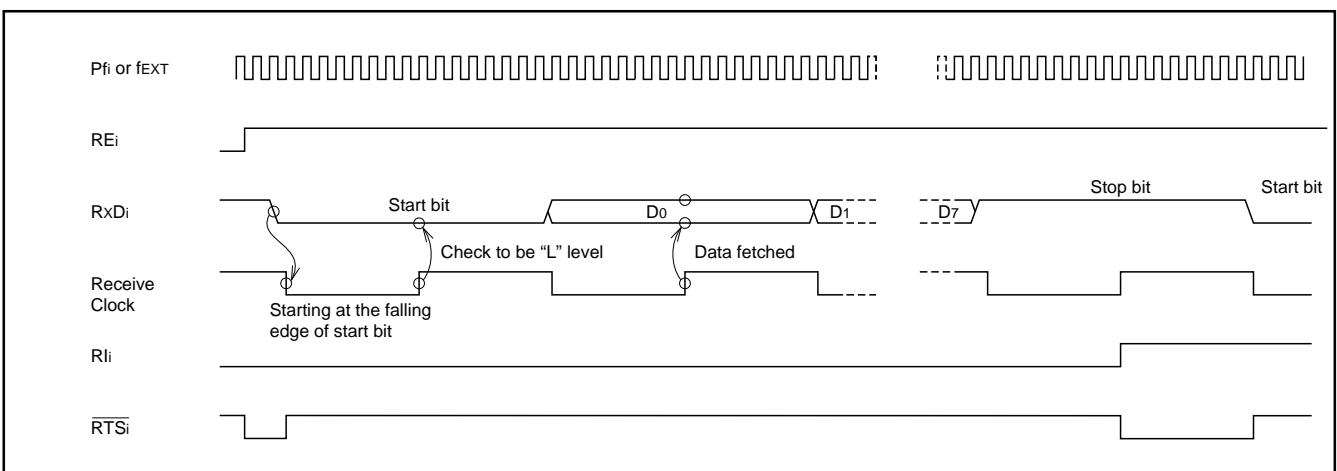


Fig. 67 Receive timing example when 8-bit asynchronous communication with no parity and 1 stop bit selected

**PRELIMINARY**  
 Notice: This is not a final specification.  
 Some parametric limits are subject to change.

**M37753M8C-XXXFP, M37753M8C-XXXHP  
 M37753S4CFP, M37753S4CHP**

SINGLE-CHIP 16-BIT CMOS MICROCOMPUTER

**A-D CONVERTER**

The A-D converter is a 10-bit successive approximation converter. The use of A-D converter or the use of comparator can be selected for each A-D input pin. The contents of the comparator function select register specify it.

Figure 68 shows a block diagram of the A-D converter.

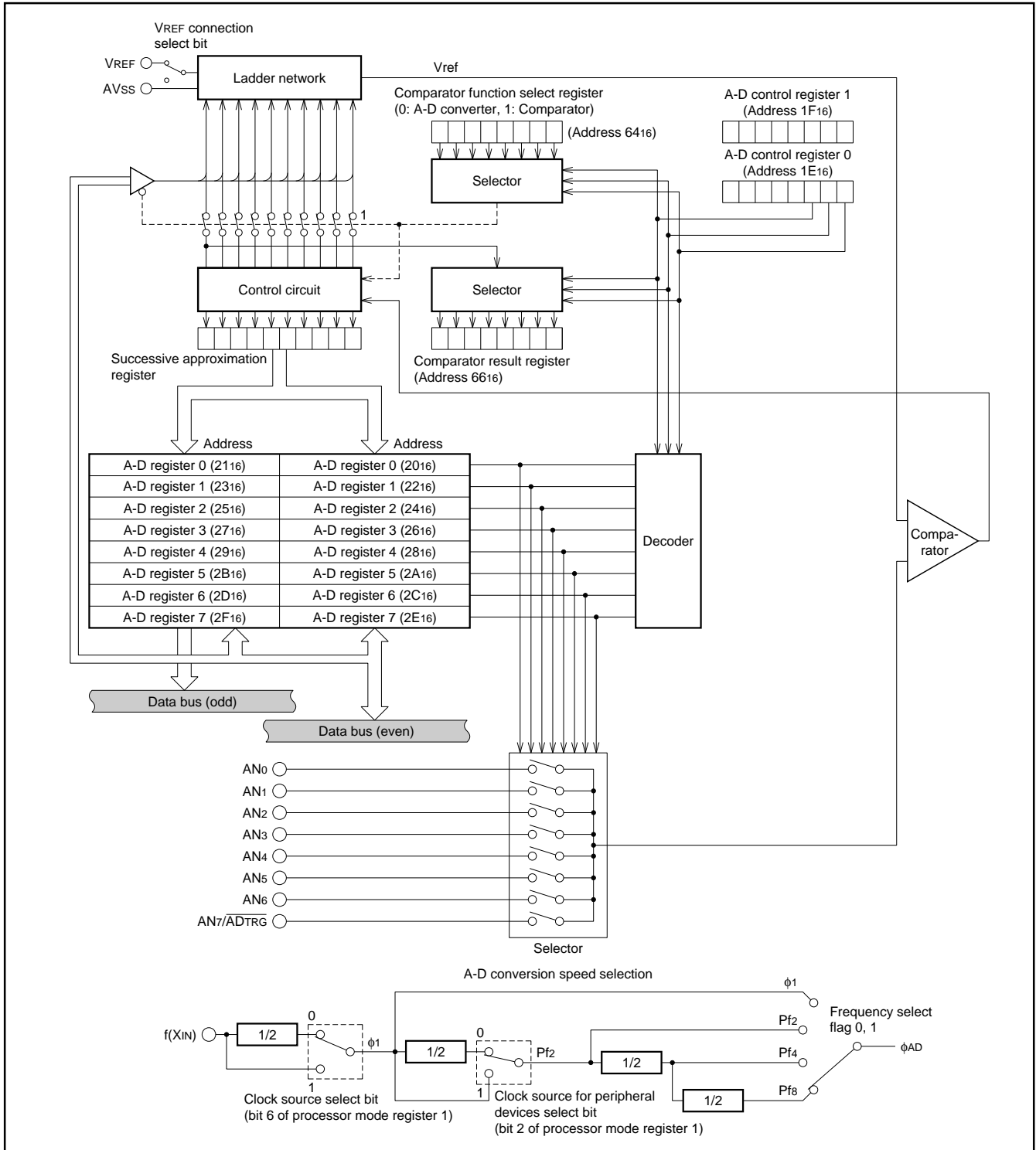


Fig. 68 A-D converter block diagram

# M37753M8C-XXXFP, M37753M8C-XXXHP M37753S4CFP, M37753S4CHP

SINGLE-CHIP 16-BIT CMOS MICROCOMPUTER

**PRELIMINARY**  
Notice: This is not a final specification.  
Some parametric limits are subject to change.

Figure 69 shows the comparator function select register (address 64<sub>16</sub>) bit configuration. Bits 7 to 0 correspond to channels 7 to 0 respectively. Each channel can be selected as either an A-D converter or a comparator. When the bit is "0", the channel corresponding to it functions as a 10-bit or an 8-bit A-D converter. When the bit is "1", the channel functions as a comparator.

When selecting an A-D converter, an input voltage to a selected analog input pin is A-D converted and the result is stored into the A-D register.

When selecting a comparator, D-A conversion is performed to the value of which high-order 8 bits are the value stored in an even address of the A-D converter and of which low-order 2 bits are "10<sub>2</sub>." Then, this D-A converted value is compared with the voltage supplied to an analog input pin. After the comparison, when the voltage supplied to an analog input pin is higher, "1" is stored into the comparator result register (address 66<sub>16</sub>) shown in Figure 70. When it is lower, "0" is stored into that register.

Be sure to perform only read to the A-D register of which channel is selected as an A-D converter, and perform only write to the A-D register of which channel is selected as a comparator. Additionally, do not write to the comparator function select register and the A-D register while an A-D converter or a comparator is operating.

Port direction register's bits corresponding to pins to be A-D converted must be "0" (input mode) because analog input ports are multiplexed with port P7.

Figure 71 shows the bit configuration of the A-D control register 0 (address 1E<sub>16</sub>) and the A-D control register 1 (address 1F<sub>16</sub>).

An operation clock ( $\phi_{AD}$ ) of an A-D converter or a comparator can be selected with bit 7 of the A-D control register 0 and bit 4 of the A-D control register 1.

When bit 4 (frequency select flag 1) of the A-D control register 1 is "0",  $\phi_{AD}$  becomes P<sub>f8</sub> when bit 7 (frequency select flag 0) of the A-D control register 0 is "0",  $\phi_{AD}$  becomes P<sub>f4</sub> when bit 7 of the A-D control register 0 is "1".

When the frequency select flag 1 is "1",  $\phi_{AD}$  becomes P<sub>f2</sub> when the frequency select flag 0 is "0",  $\phi_{AD}$  becomes  $\phi_1$  when the frequency select flag 0 is "1". The last case is used when  $\phi_1$  is forcibly used as  $\phi_{AD}$  in high-speed running ( $f(X_{IN}) > \phi_1 > 12.5$  MHz). However, this selection is available only in 8-bit resolution mode.

$\phi_{AD}$  during A-D conversion must be 250 kHz or more because the comparator uses a capacity coupling amplifier.

Bit 3 of A-D control register 1 is used to select whether to regard the conversion result as 10-bit or as 8-bit data. The conversion result is regarded as 10-bit data when bit 3 is "1" and as 8-bit data when bit 3 is "0".

When the conversion result is used as 10-bit data, the low-order 8 bits of the conversion result is stored in the even address of the corresponding A-D register and the high-order 2 bits are stored in bits 0 and 1 at the odd address of the corresponding A-D register. Bits 2 to 7 of the A-D register odd address are "000000<sub>2</sub>" when read.

When the conversion result is used as 8-bit data, the high-order 8 bits of the 10-bit A-D conversion result are stored in even address of the corresponding A-D register. In this case, the value at the A-D register's odd address is "00<sub>16</sub>" when read.

Whether to connect the reference voltage input (VREF) with the lad-

der network or not depends on bit 5 of the A-D control register 1. The VREF pin is connected when bit 5 is "0" and is disconnected when bit 5 is "1" (High impedance state).

When A-D or D-A conversion is not performed, current from the VREF pin to the ladder network can be cut off by disconnecting ladder network from the VREF pin.

Before starting A-D or D-A conversion, wait for 1  $\mu$ s or more after clearing bit 5 to "0".

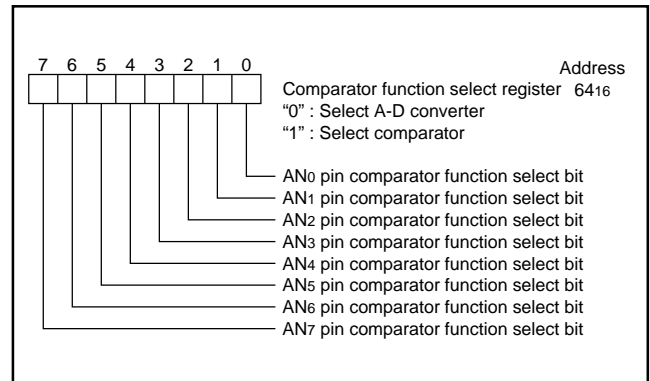


Fig. 69 Comparator function select register bit configuration

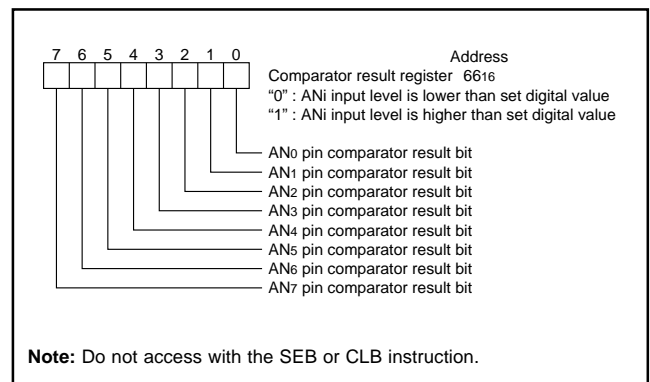


Fig. 70 Comparator result register bit configuration



**M37753M8C-XXXFP, M37753M8C-XXXHP  
 M37753S4CFP, M37753S4CHP**

SINGLE-CHIP 16-BIT CMOS MICROCOMPUTER

**Operation mode**

The operation mode is selected by bits 3 and 4 of A-D control register 0 and bit 2 of A-D control register 1. The available operation modes are one-shot, repeat, single sweep, repeat sweep 0, and repeat sweep 1. Either an A-D converter or a comparator can be selected respectively for every pin in the following 5 modes. The following description applies to the case where the bit of the comparator function select register is "0" and an A-D converter is selected. It also applies to a comparator's operation except that an A-D conversion is changed to a comparator operation and the result of a comparison is stored into the comparator result register.

**(1) One-shot mode**

One-shot mode is selected when bits 3 and 4 of A-D control register 0 are "0" and bit 2 of A-D control register 1 is "0". The A-D conversion pins are selected with bits 0 to 2 of A-D control register 0. A-D conversion can be started by a software trigger or by an external trigger. A software trigger is selected when bit 5 of A-D control register 0 is "0" and an external trigger is selected when it is "1". When a software trigger is selected, A-D conversion or comparator operation is started when bit 6 (A-D conversion start flag) is set to "1."

When the bit of comparator function select register is "0" and bit 3 of A-D control register 1 is "1", A-D conversion ends after 59  $\phi_{AD}$  cycles, and the interrupt request bit of the A-D interrupt control register is set to "1." At the same time, A-D control register 0 bit 6 (A-D conversion start bit) is cleared to "0" and A-D conversion stops. The result of A-D conversion is stored in the A-D register corresponding to the selected pin.

When the bit of the comparator function select register is "1", a comparator operation ends after 14  $\phi_{AD}$  cycles and the interrupt request bit of the A-D interrupt control register is set to "1". At the same time, the A-D control register 0 bit 6 (A-D conversion start bit) is cleared to "0" and the comparator operation stops. The result of the comparison is stored into the bit of the comparator result register corresponding to the selected pin.

If an external trigger is selected, A-D conversion starts when the A-D conversion start bit is "1" and the  $\overline{ADTRG}$  input changes from "H" to "L". In this case, the pins that can be used for A-D conversion are AN0 to AN6 because the  $\overline{ADTRG}$  pin is multiplexed with analog voltage input pin AN7. This operation is the same as that for software trigger except that the A-D conversion start bit is not cleared after A-D conversion and a retrigger can be available during A-D conversion.

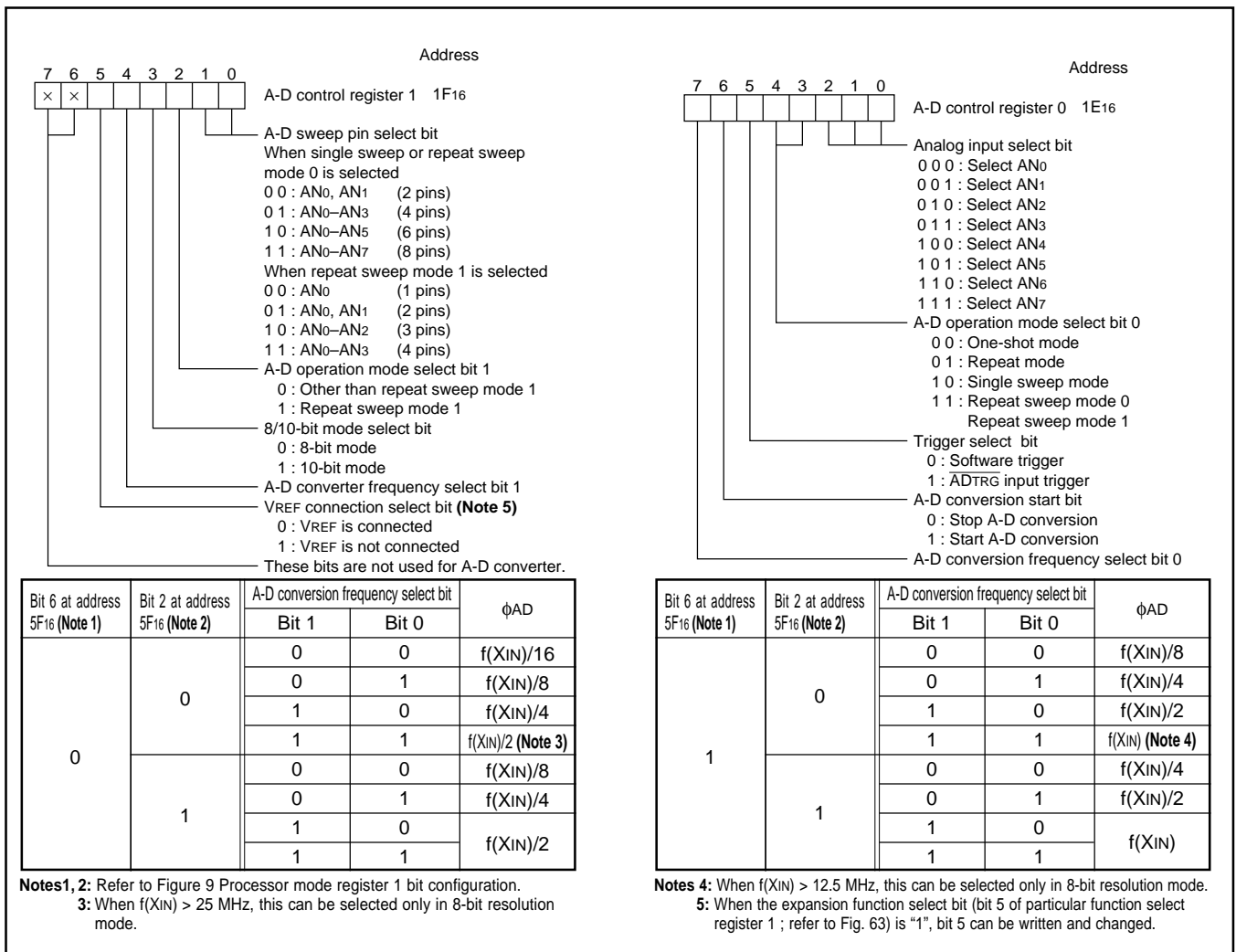


Fig. 71 A-D control register bit configuration

# M37753M8C-XXXFP, M37753M8C-XXXHP M37753S4CFP, M37753S4CHP

SINGLE-CHIP 16-BIT CMOS MICROCOMPUTER

**PRELIMINARY**  
Notice: This is not a final specification.  
Some parametric limits are subject to change.

## (2) Repeat mode

Repeat mode is selected when bit 3 of A-D control register 0 is "1", bit 4 is "0" and bit 2 of A-D control register 1 is "0".

The operation of this mode is the same as the operation of one-shot mode except that when A-D conversion of the selected pin is complete and the result is stored in the A-D register, conversion does not stop, but is repeated.

No interrupt request is generated in this mode. Furthermore, if software trigger is selected, the A-D conversion start bit is not cleared.

The contents of the A-D register can be read at any time.

Be sure not to write to the A-D register corresponding to the pins selected for a comparator during operation.

## (3) Single sweep mode

Single sweep mode is selected when bit 3 of A-D control register 0 is "0", bit 4 is "1" and bit 2 of A-D control register 1 is "0".

In the single sweep mode, the number of analog input pins to be swept can be selected. Analog input pins are selected by bits 1 and 0 of the A-D control register 1 (address 1F16). Two pins, four pins, six pins, or eight pins can be selected as analog input pins, depending on the contents of these bits.

A-D conversion is performed only for selected input pins. After A-D conversion is performed for input of AN0 pin, the conversion result is stored in A-D register 0, and in the same way, A-D conversion is performed for selected pins one after another. After A-D conversion is performed for all selected pins, the sweep is stopped.

A-D conversion can be started with a software trigger or with an external trigger input. A software trigger is selected when bit 5 is "0" and an external trigger is selected when it is "1".

When a software trigger is selected, A-D conversion is started when A-D control register 0 bit 6 (A-D conversion start bit) is set to "1".

When A-D conversion of all selected pins end, the interrupt request bit of the A-D conversion interrupt control register is set to "1." At the same time, A-D conversion start bit is cleared to "0" and A-D conversion stops.

When an external trigger is selected, A-D conversion starts when the A-D conversion start bit is "1" and the  $\overline{ADTRG}$  input changes from "H" to "L". In this case, the A-D conversion result which is stored in the A-D register 7 becomes invalid because the  $\overline{ADTRG}$  pin is multiplexed with AN7 pin.

The operation by external trigger is the same as that by software trigger except that the A-D conversion start bit is not cleared to "0" after A-D conversion and a retrigger can be available during A-D conversion.

## (4) Repeat sweep mode 0

Repeat sweep mode 0 is selected when bit 3 of A-D control register 0 is "1", bit 4 is "1" and bit 2 of A-D control register 1 is "0".

The difference from the single sweep mode is that A-D conversion does not stop after conversion for all selected pins, but repeats again from the AN0 pin. The repeat is performed among the selected pins. Also, no interrupt request is generated. Furthermore, if software trigger is selected, the A-D conversion start bit is not cleared. The A-D register can be read at any time.

Be sure not to write to the A-D register corresponding to the pins selected for a comparator during operation.

## (5) Repeat sweep mode 1

Repeat sweep mode 1 is selected when bit 3 of A-D control register 0 is "1", bit 4 is "1" and bit 2 of A-D control register 1 is "1".

The difference from the repeat sweep mode 0 is that A-D conversion for one unselected pin is performed each time when A-D conversion for selected pins is completed and A-D conversion is repeated once again from AN0 pin. The number of analog input pins to be swept is also different.

The analog input pins for repeatedly sweep are selected with bits 1 and 0 of A-D control register 1. The contents of these pins are used to select one pin, two pins, three pins, or four pins.

The unselected pins are converted from the pin next to the pins selected as repeat sweep pins. No interrupt request is generated. Furthermore, if software trigger is selected, the A-D conversion start bit is not cleared.

The A-D register can be read at any time.

Be sure not to write to the A-D register corresponding to the pins selected for a comparator during operation.

**Note:** Clear the interrupt request bit of the A-D interrupt control register (bit 3 at address 7016) before using the A-D interrupt. It is because the interrupt request bit is undefined just after reset.

**D-A CONVERTER**

The D-A converter is an 8-bit R-2R method D-A converter and consists of two independent D-A converters. Figure 72 shows the block diagram of the D-A converter and Figure 73 shows the bit configuration of A-D control register 1.

D-A conversion is performed by writing a value in the corresponding D-A register. The conversion result is output by bits 6 and 7 of A-D control register 1 (address 1F16). When bit 7 is "1", the conversion result is output from DA0 pin.

When bit 6 is "1", the conversion result is output from DA1 pin. The output analog voltage V is determined according to the value n ("n" is a decimal number) set in the D-A register.

$$V = V_{REF} \times n/256 \quad (n = 0 \text{ to } 255)$$

V<sub>REF</sub> : Reference voltage

The D-A output enable bit is cleared to "0" at reset. Whether to connect the reference voltage input (VREF) with the ladder network or not depends on bit 5 of the A-D control register 1. The VREF pin is connected when bit 5 is "0" and is disconnected when bit 5 is "1" (High impedance state).

When A-D or D-A conversion is not performed, current from the VREF pin to the ladder network can be cut off by disconnecting ladder network from the VREF pin.

Before starting A-D or D-A conversion, wait for 1 μs or more after clearing bit 5 to "0". An external buffer must be connected when connecting to a low impedance load because there is no built-in D-A output buffer.

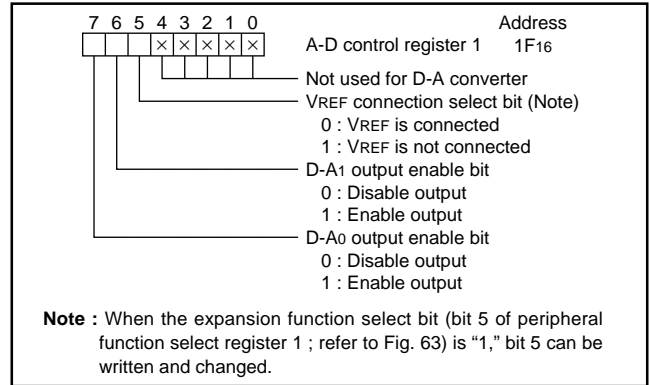


Fig. 73 A-D control register 1 bit configuration

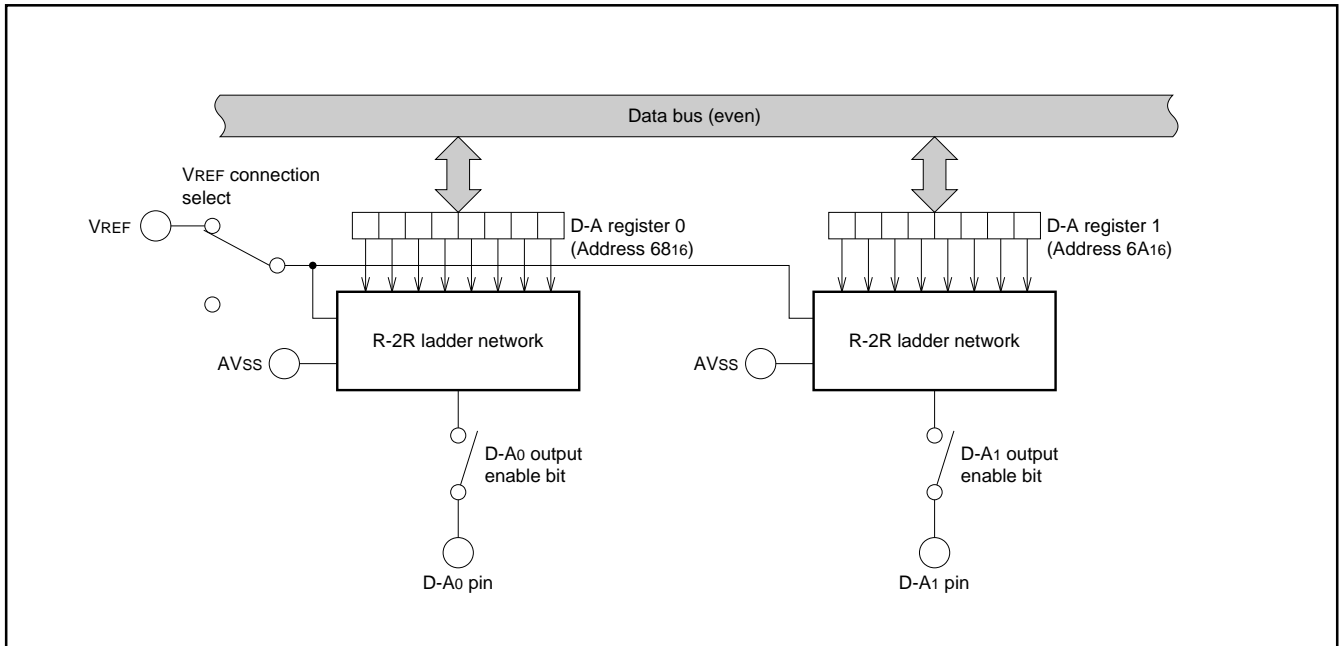


Fig. 72 D-A converter block diagram

**WATCHDOG TIMER**

The watchdog timer is used to detect unexpected execution sequence caused by software runaway and others. Figure 74 shows the block diagram of the watchdog timer.

The watchdog timer consists of a 12-bit binary counter. The watchdog timer counts clock  $Wf_{32}/Pf_{32}$ , which is obtained by dividing the peripheral devices' clock  $Pf_2$  by 16; or clock  $Wf_{512}/Pf_{512}$ , which is obtained by doing it by 256. The watchdog timer frequency select register shown in Figure 75 selects which clock is counted.  $Wf_{512}/Pf_{512}$  is selected when its contents are "0", and  $Wf_{32}/Pf_{32}$  is selected when they are "1". They are cleared to "0" after reset. The watchdog timer clock select bit (bit 3 of particular function select register 1; Figure 62) selects use of clock  $Wf_{512}/Wf_{32}$  or  $Pf_{512}/Pf_{32}$  as the clock source of watchdog timer. When selecting  $Wf_{512}/Wf_{32}$ , the clock source of watchdog timer ( $Wf_{512}/Wf_{32}$ ) is not active during Hold state. When selecting  $Pf_{512}/Pf_{32}$ , the clock source of watchdog timer ( $Pf_{512}/Pf_{32}$ ) is active during Hold state, however, current consumption can be reduced. It is because the  $Wf_{512}/Wf_{32}$  division circuit stops.

$FFF_{16}$  is set in the watchdog timer when "L" or  $2V_{cc}$  is applied to the  $\overline{RESET}$  pin, STP instruction is executed, data is written to the watchdog timer, or the most significant bit of the watchdog timer becomes "0".

After  $FFF_{16}$  is set in the watchdog timer, when the watchdog timer counts the clock source by 2048 counts, the most significant bit of watchdog timer becomes "0", the watchdog timer interrupt request bit is set to "1", and  $FFF_{16}$  is set again in the watchdog timer.

Normally, a program is written so that data is written in the watchdog timer before the most significant bit of the watchdog timer becomes "0". If this routine is not executed owing to unexpected program execution and others, the most significant bit of the watchdog timer becomes "0" and an interrupt is generated.

The microcomputer can be reset by writing "1" to bit 3 (software reset bit) of processor mode register 0 in the interrupt routine, described in Figure 16 in the interrupt section, and generating a reset pulse.

The watchdog timer stops its function when the  $\overline{RESET}$  pin voltage is raised to double the  $V_{cc}$  voltage.

The watchdog timer can also be used to return from when the clock is stopped by the STP instruction. Refer to the section on the clock generating circuit for more details.

The watchdog timer also becomes Hold state during Hold state and the clock input to it is stopped.

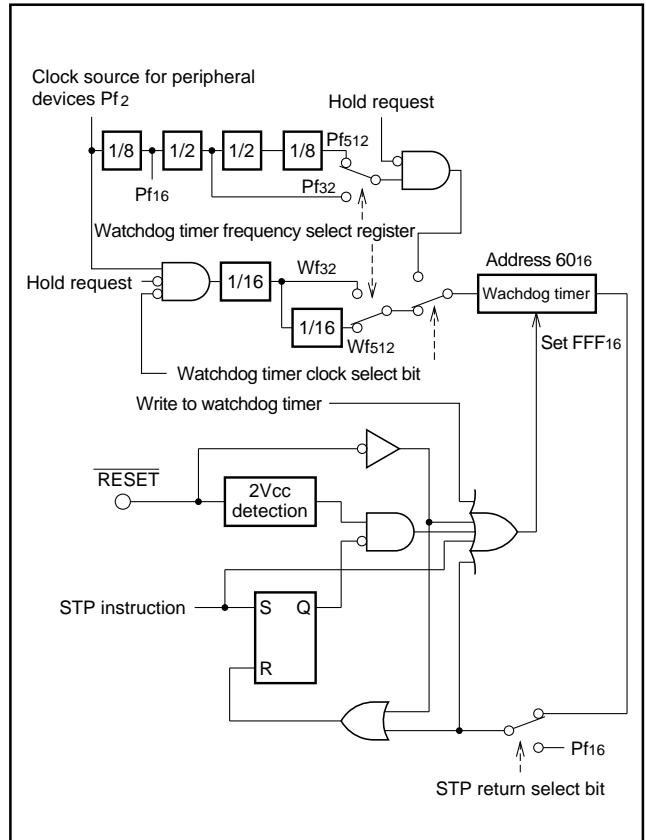


Fig. 74 Watchdog timer block diagram

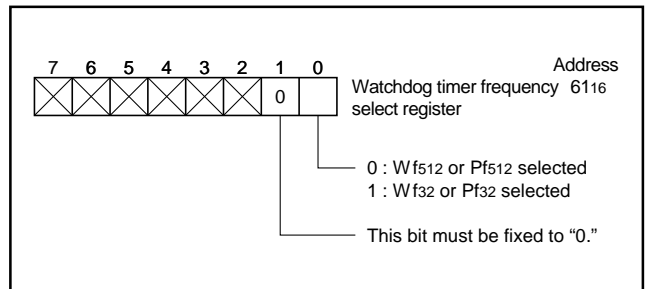


Fig. 75 Watchdog timer frequency select register bit configuration

**M37753M8C-XXXFP, M37753M8C-XXXHP  
M37753S4CFP, M37753S4CHP**

SINGLE-CHIP 16-BIT CMOS MICROCOMPUTER

**PRELIMINARY**  
Notice: This is not a final specification.  
Some parametric limits are subject to change.

**RESET CIRCUIT**

Reset is released when the  $\overline{\text{RESET}}$  pin is returned to "H" level after holding it at "L" level while the supply voltage is at  $5V \pm 10\%$ . As the result, program execution starts at the address formed by setting the address A23-A16 to 0016, A15-A8 to the contents of address FFFF16, and A7-A0 to the contents of address FFFE16.

Figure 76 shows the status of the internal registers during reset. Figure 77 shows an example of a reset circuit. When a stabilized clock is input from the external to the oscillation circuit, the reset input voltage must be held 0.9V or lower when the supply voltage reaches 4.5V. When connecting a resonator to the oscillation circuit, return the reset input voltage from "L" to "H" after the main-clock oscillation is fully stabilized

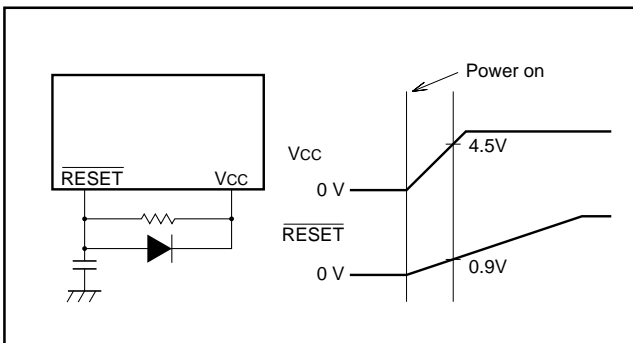


Fig. 77 Reset circuit example (perform careful evaluation at system design before using)

**INPUT/OUTPUT PINS**

Ports P0 to P8 all have the direction register and each bit can be programmed for input or output. A pin becomes an output pin when the corresponding bit of direction register is "1", and an input pin when it is "0".

When a pin is programmed for output, the data is written to its port latch and it is output to the output pin. When a pin is programmed for output, the contents of the port latch is read instead of the value of the pin. Accordingly, a previously output value can be read correctly even when the output "H" voltage is lowered or the output "L" voltage is raised owing to an external load and others.

A pin programmed as an input pin is floating, and the value input to the pin can be read. When a pin is programmed as an input pin, the data is written only in the port latch and the pin remains floating. Additionally, ports P54 to P57, P80 include pull-up transistors. The pull-up function of ports is selected with bits 7 and 6 of the particular function select register 1. Refer to the section on Interrupts for the pull-up function.

Figures 78 and 79 show block diagrams of ports P0 to P80 in the single-chip mode and  $\overline{E}$  output.

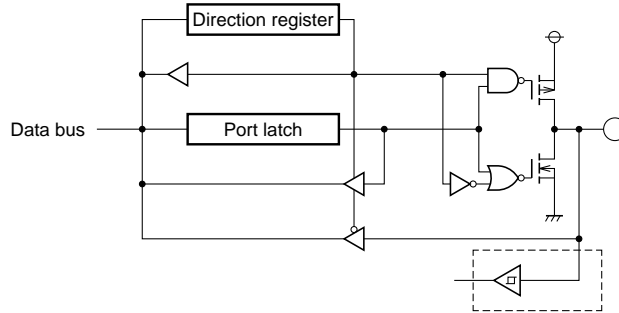
Ports P0 to P4 are also used as pins of address, data and control signals. Refer to the section on Processor mode for more details.



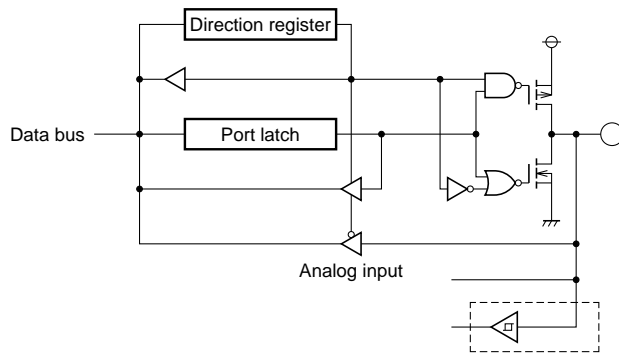
**M37753M8C-XXXFP, M37753M8C-XXXHP**  
**M37753S4CFP, M37753S4CHP**

SINGLE-CHIP 16-BIT CMOS MICROCOMPUTER

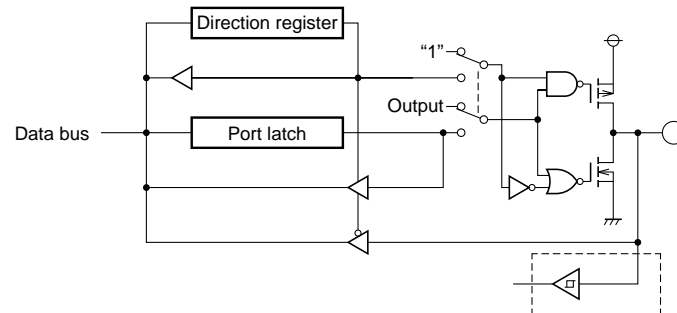
- Port P00 to P07, P10 to P17, P20 to P23, P27, P30 to P33, P43 to P46 (Inside dotted-line not included)  
 Port P40, P41, P47, P51, P53, P61 to P67, P86 (Inside dotted-line included)



- Port P70 to P76 (Inside dotted-line not included)
- Port P77 (Inside dotted-line included)



- Port P42, P83, P87 (Inside dotted-line not included)
- Port P50, P52, P60, P82 (Inside dotted-line included)



- Port P54, P56

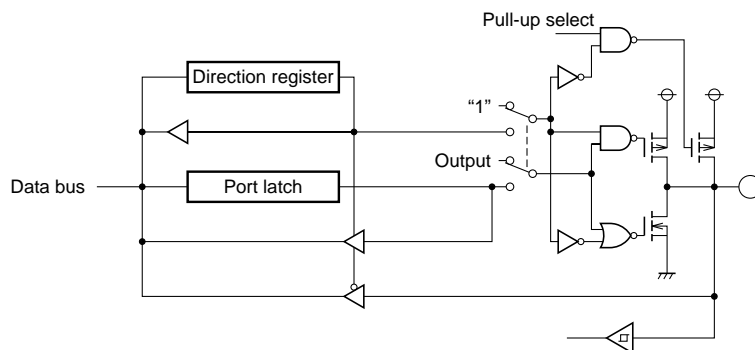


Fig. 78 Block diagram for ports P0 to P8 in single-chip mode and  $\bar{E}$  output (1)

**M37753M8C-XXXFP, M37753M8C-XXXHP**  
**M37753S4CFP, M37753S4CHP**

SINGLE-CHIP 16-BIT CMOS MICROCOMPUTER

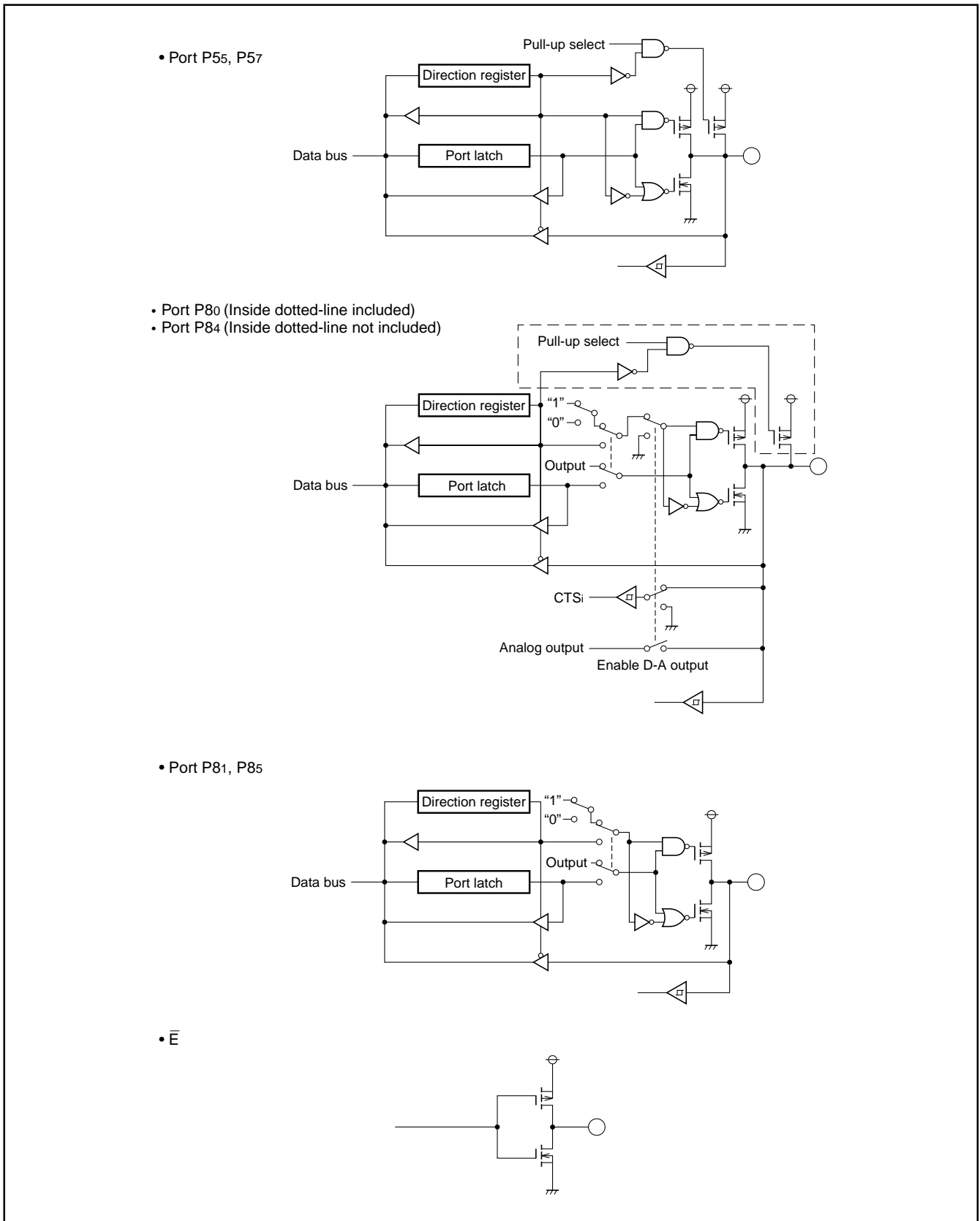


Fig. 79 Block diagram for ports P0 to P8 in single-chip mode and  $\bar{E}$  output (2)



**CLOCK GENERATING CIRCUIT**

The clock generating circuit makes basic clocks, which activate the central processing unit (CPU), bus interface unit (BIU) and internal peripheral devices, of an oscillation circuit output. Figure 82 shows the block diagram of the clock generating circuit.

The clock source  $\phi 1$  to activate internal peripheral devices, the clock source  $\phi$  BIU to activate the bus interface unit and the clock source  $\phi$  CPU to activate the CPU are made of an clock input to the XIN pin. When bit 6 (clock source select bit) of processor mode register 1 is "0", the clock which is obtained by dividing an input clock to the XIN pin by 2 becomes the clock source  $\phi 1$ . When bit 6 is "1", the clock which is an input clock to the XIN pin becomes the clock source  $\phi 1$  as it is. When bit 2 (clock source for peripheral devices select bit) is "0", the clock source  $\phi 1$  which is more divided by 2 becomes the standard clock for peripheral devices. When bit 2 is "1", the clock source  $\phi 1$  becomes the standard clock for peripheral devices as it is.

The standard clock is more divided with the division circuit shown in Figure 82 and the clocks having all kinds of frequencies are made. Each internal peripheral device can select one of 4 clocks, Pf2, Pf16, Pf64 and Pf512, and use it.

Pf2 means  $f(XIN)$ , which is an oscillation circuit's frequency, divided by 2 when the clock source for peripheral devices select bit is "1". It means  $f(XIN)$  divided by 4 when that bit is "0". In the case of  $\phi 1 > 12.5$  MHz, fix the bit to "0".

Figure 80 shows a circuit example using a ceramic (or quartz crystal) resonator. Use the manufactures' recommended values for constants such as capacitance which differs for each resonator.

Figure 81 shows a circuit example inputting clocks externally. When inputting clocks externally, setting bit 1 (clock external input select bit) of particular function select register 0 (in Figure 83) to "1" makes operation of the clock oscillation circuit stop, that is, the XOUT output stays at "H", and the current consumption reduce.

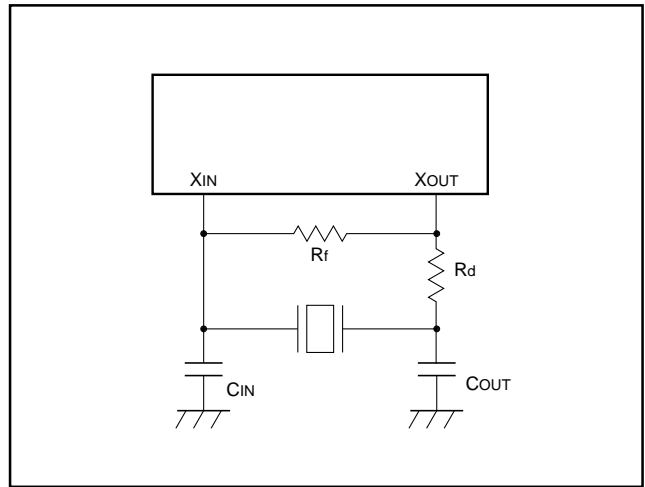


Fig. 80 Circuit example using a ceramic (or quartz crystal) resonator

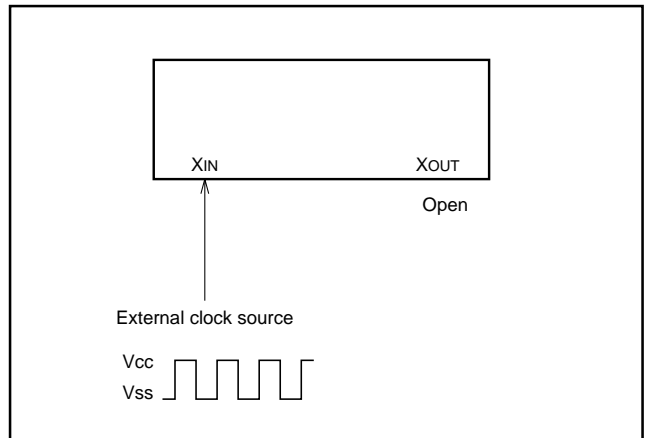


Fig. 81 Circuit example inputting clocks externally



**M37753M8C-XXXFP, M37753M8C-XXXHP**  
**M37753S4CFP, M37753S4CHP**

SINGLE-CHIP 16-BIT CMOS MICROCOMPUTER

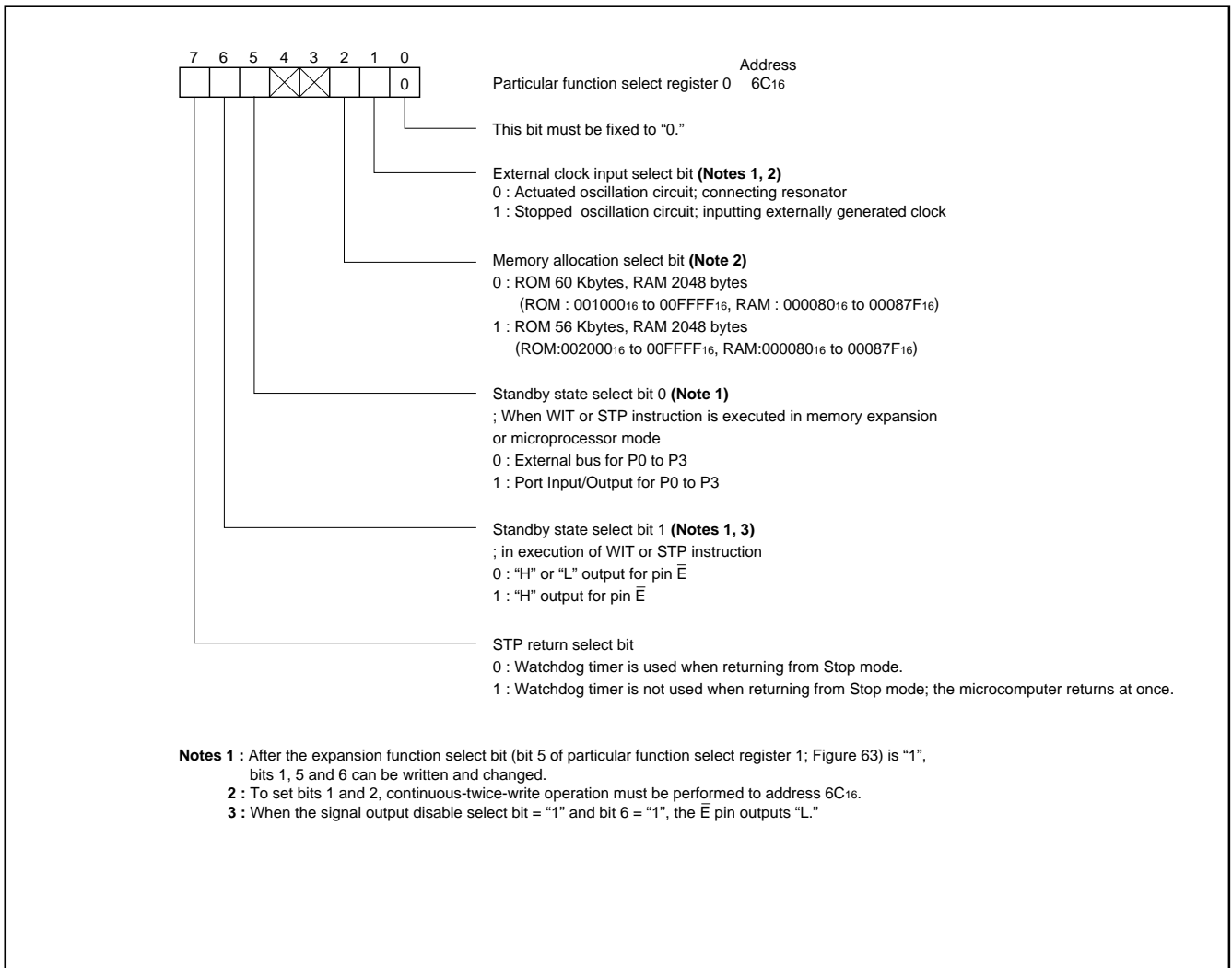


Fig. 83 Particular function select register 0 bit configuration

# M37753M8C-XXXFP, M37753M8C-XXXHP M37753S4CFP, M37753S4CHP

SINGLE-CHIP 16-BIT CMOS MICROCOMPUTER

**PRELIMINARY**  
Notice: This is not a final specification.  
Some parametric limits are subject to change.

## STANDBY FUNCTION

The WIT and the STP instructions make the microcomputer standby state.

Table 7 shows the relation between standby state and each block's operation.

The WIT/STP state is terminated by interrupt acceptance or reset. Accordingly, it is necessary to prepare the state in which any interrupt can be accepted before the WIT/STP instruction is executed.

## WIT instruction

When the WIT instruction is executed with the internal clock stop select bit at WIT (bit 2 of particular function select register 1; Figure 63) = "0", the clock sources  $\phi$  BIU and  $\phi$  CPU are stopped at "L", however, the oscillation circuit, the clock source  $\phi$  1, and the divided clocks Pf2 to Pf512, Wf32, Wf512 are not stopped. Accordingly, although the CPU and bus interface unit stop operation, internal peripheral devices which use these divided clocks can operate even at WIT state.

Otherwise, when the WIT instruction is executed with the internal clock stop select bit at WIT = "1", the oscillation circuit is not stopped, however, the clock source  $\phi$  1, divided clocks, and the clock sources  $\phi$  BIU and  $\phi$  CPU are stopped. Accordingly, in this case, all of the internal peripheral devices and the watchdog timer which use divided clocks Pf2 to Pf512, Wf32, and Wf512 are stopped.

When internal peripheral devices are not used in WIT state, the latter state (internal clock stop select bit at WIT = "1") is more effective to reduce current consumption.

Make sure to set the internal clock stop select bit at WIT to "1" immediately before the WIT instruction execution and clear the bit to "0" immediately after the WIT state is terminated.

The WIT state is terminated when an interrupt request is accepted, and the internal clock  $\phi$  operation is restarted. Interrupt processing can immediately be executed because oscillation circuit's operation is not stopped during WIT state.

## STP instruction

When the STP instruction is executed, the oscillation circuit is stopped and the clock sources  $\phi$  1,  $\phi$  BIU and  $\phi$  CPU are at "L". Furthermore, "FFF16" is automatically set into the watchdog timer, and its clock source is forced to connect with Wf32 when the watchdog timer clock select bit = "0", or Pf32 when the bit = "1". This connection is cut off when the most significant bit of the watchdog timer becomes "0" or the microcomputer is reset, and the clock source is connected with the input depending on the contents of the watchdog timer frequency select register and the watchdog timer clock select bit. In STP state, all of the internal peripheral devices and the watchdog timer which use divided clocks Pf2 to Pf512, Wf32, and Wf512 are stopped.

The STP state is terminated by reset or interrupt request acceptance, and then oscillation is restarted. At the same time, supply of the clock source  $\phi$  1 and divided clocks Pf2 to Pf512, Wf32 and Wf512 is restarted.

In that condition, when the STP return select bit (bit 7 of particular function select register 0) is "0", the clock sources  $\phi$  BIU and  $\phi$  CPU stop at "L" until the most significant bit of the watchdog timer decremented with divided clock Pf32 or Wf32 becomes "0". However, supply of the clock sources  $\phi$  BIU and  $\phi$  CPU is restarted immediately after the oscillation restarts by reset. Accordingly, in this case, wait for enough time to stabilize the oscillation before the reset input of "H".

Otherwise in that condition, when the STP return select bit is "1", supply of the clock sources  $\phi$  BIU and  $\phi$  CPU is restarted at the timing of the divided clock Pf16's "H" to "L" after the oscillation restarts. This function makes it possible to immediately return from STP state when the clock supply input to the XIN from the external is stabilized. Even though clocks are input from the external, make sure to clear the STP return select bit to "0" if the external clock is unstable for a short time when returning from STP state

Table 7 Relation between standby state and each block's operation.

Instruction	Internal clock stop bit at WIT	Operation at WIT/STP state					
		Oscillation circuit	$\phi$ 1	Pf2 to Pf512	Wf2, Wf512	$\phi$ BIU, $\phi$ CPU	Internal peripheral devices using Pf2 to Pf512, Wf32, Wf512
WIT	"0"	Operating <b>(Note 1)</b>	Operating	Operating	Operating <b>(Note 2)</b>	Stopped ("L")	Operation enabled (Watchdog timer operating)
	"1"	Operating <b>(Note 1)</b>	Stopped ("L")	Stopped ("H")	Stopped ("H")	Stopped ("L")	Operation disabled (Watchdog timer stopped)
STP	—	Stopped	Stopped ("L")	Stopped ("H")	Stopped ("H")	Stopped ("L")	Operation disabled (Watchdog timer stopped)

**Notes 1** : When the clock external input select bit is "1", the clock oscillation circuit stops. An external clock can be input.

**2** : When the watchdog timer clock select bit is "1", Wf32 and Wf512 stop. The watchdog timer operates with Pf32 or Pf512.

# M37753M8C-XXXFP, M37753M8C-XXXHP M37753S4CFP, M37753S4CHP

SINGLE-CHIP 16-BIT CMOS MICROCOMPUTER

**PRELIMINARY**  
Notice: This is not a final specification.  
Some parametric limits are subject to change.

## Bus cycle in WIT/STP

When the WIT/STP instruction is executed with the standby state select bit 1 (bit 6 of particular function select register 0) = "0", the clock sources  $\phi$  BIU and  $\phi$  CPU or oscillation stop without waiting for completion of the bus cycle being executed. Accordingly, the microcomputer may enter WIT/STP state during bus access in which output of pin  $\bar{E}$  is "L".

Otherwise, when the WIT/STP instruction is executed with the standby state select bit 1 = "1", the clock sources  $\phi$  BIU and  $\phi$  CPU or oscillation stop after completion of read or write in the bus access cycle being executed. Consequently, in WIT/STP state, the bus becomes the nonaccess state in which output of pin  $\bar{E}$  is "H".

## Bus state in WIT/STP

Normally, pins for the address output, data input/output and bus control signal output in the memory expansion/microprocessor mode (ports P0 to P3 in single-chip mode; refer to section on Processor mode) retain the state as external bus pins when the clock sources  $\phi$  BIU and  $\phi$  CPU stop in WIT/STP state.

However, when the WIT/STP instruction is executed with the standby state select bit 0 (bit 5 of particular function select register 0) = "1", those pins function depending on the contents of each port direction register and port latch in WIT/STP state like ports in single-chip

mode. That is, when setting arbitrary data to the port latch and the contents of direction register to "1", that data is output from the pin; when clearing the contents of direction register to "0", the pin becomes floating. This function makes the external bus arbitrary state in WIT/STP state. When making pins floating, take consideration with an external circuit to prevent their electric potential from becoming half level of the electric potential.

When writing to registers relevant to ports P0 to P3 in the memory expansion/microprocessor mode, set the standby state select bit 0 to "1" before that write. If that bit is "0", write is impossible, because addresses corresponding to registers relevant to ports P0 to P3, which are addresses 216 to 916 are the external memory areas shown in Figure 86.

The  $\bar{E}$  pin state can arbitrarily be selected in WIT/STP state in the memory expansion/microprocessor mode, too. Refer to the Table 8 for details.

Note that the function of arbitrary data output cannot be emulated using a debugger.

Table 8 Signal output disable select bit function (bit 4 of particular function select register 1; Figure 63)

Processor mode	Pin	Function	
		Signal output disable select bit = "0"	Signal output disable select bit = "1"
Single-chip mode	$\bar{E}$	Outputs enable signal $\bar{E}$ .	Outputs "L".
Memory expansion mode Microprocessor mode	$\bar{E}$	Outputs $\bar{E}$ when accessing internal/external memory area.	Outputs $\bar{E}$ when accessing external memory area only.
	$\bar{E}$	Outputs "H" or "L" after executing WIT/STP instruction Outputs "H" when standby state select bit 1 is "1".	Outputs "H" or "L" after executing WIT/STP instruction. Outputs "L" when standby state select bit 1 is "1" and standby state select bit 0 is "1". Outputs "H" when standby state select bit 1 is "1" and standby state select bit 0 is "0."
Microprocessor mode	$\phi$ 1	Outputs clock $\phi$ 1 regardless of $\phi$ 1 output select bit.	Outputs contents of port P42 latch; necessary to set its direction register bit to "1".

**Note** : All functions of signal output disable select bit cannot be debugged using an debugger.

**M37753M8C-XXXFP, M37753M8C-XXXHP  
 M37753S4CFP, M37753S4CHP**

SINGLE-CHIP 16-BIT CMOS MICROCOMPUTER

**PROCESSOR MODE**

Bits 0 and 1 of processor mode register 0 (address 5E16) shown in Figure 84 are used to select any mode of the single-chip mode, the memory expansion mode and the microprocessor mode. Ports P0 to P3 and a part of port P4 are used as I/O pins of address, data, and control signals in the modes except the single-chip mode. Figure 85 shows the functions of ports P0 to P4 in each mode. The external memory area depends on the mode. Figure 86 shows the memory map for each mode. Refer to Figure 1 for the addresses of RAM and ROM in the single-chip mode. The external memory area can be accessed in the modes except the single-chip mode. The access to the external memory is affected by the BYTE pin.

**• BYTE pin**

When accessing the external memory, the level of the BYTE pin is used to determine whether to use the data bus as 8-bit width or 16-bit width. The data bus has a width of 16 bits when the level of the BYTE pin is "L", and ports P1 and P2 become the data I/O pins. The data bus has a width of 8 bits when level of the BYTE pin is "H", and port P2 becomes data I/O pins. When accessing the internal memory, the data bus always has a width of 16 bits regardless of the BYTE pin level.

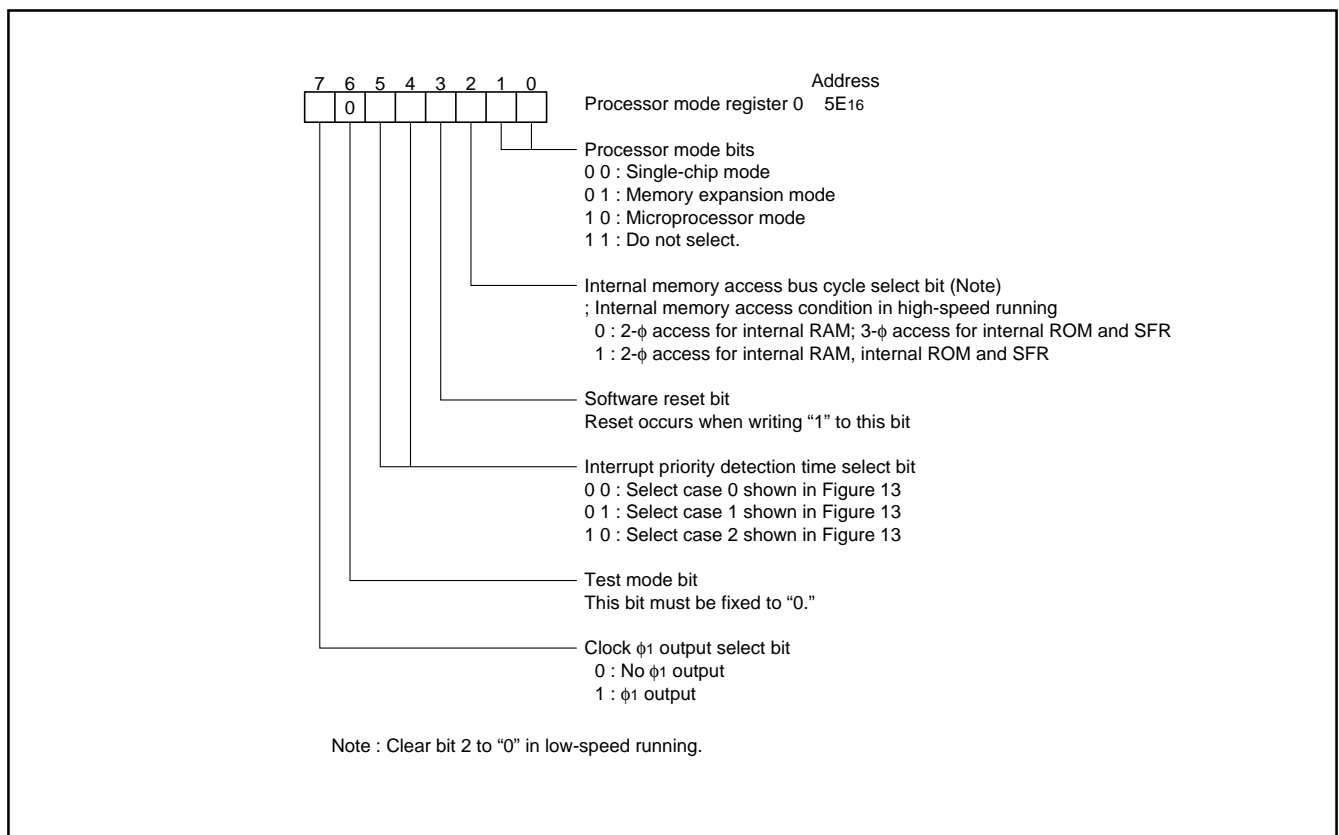


Fig. 84 Processor mode register 0 bit configuration

**PRELIMINARY**  
 Notice: This is not a final specification.  
 Some parametric limits are subject to change.

MITSUBISHI MICROCOMPUTERS  
**M37753M8C-XXXFP, M37753M8C-XXXHP**  
**M37753S4CFP, M37753S4CHP**

SINGLE-CHIP 16-BIT CMOS MICROCOMPUTER

		PM <sub>1</sub>	0	0	1
		PM <sub>0</sub>	0	1	0
Port	Mode	Single-chip mode		Memory expansion mode	Microprocessor mode
Port 0					Same as left
Port P1	BYTE = "L"				Same as left
	BYTE = "H"				Same as left
Port P2	BYTE = "L"				Same as left
	BYTE = "H"				Same as left
Port P3					Same as left
Port P4			* In this case, bit 7 of processor mode register 0 is "0."		Clock $\phi_1$ is output from P42 regardless of bit 7 of processor mode register 0 ; the others are the same as left ( <b>Note</b> ).
			* In this case, bit 7 of processor mode register 0 is "1."		

Fig. 85 Processor modes and ports P0 to P4

**Note:** The signal output disable select bit (bit 4 of the particular function select register 1) can stop the  $\bar{E}$  signal output in the single-chip mode and the  $\phi_1$  output in the microprocessor mode. In the memory expansion mode or the microprocessor mode, signal  $\bar{E}$  can also be fixed to "H" when the internal memory area is accessed.

**M37753M8C-XXXFP, M37753M8C-XXXHP**  
**M37753S4CFP, M37753S4CHP**

SINGLE-CHIP 16-BIT CMOS MICROCOMPUTER

Processor modes are explained below.

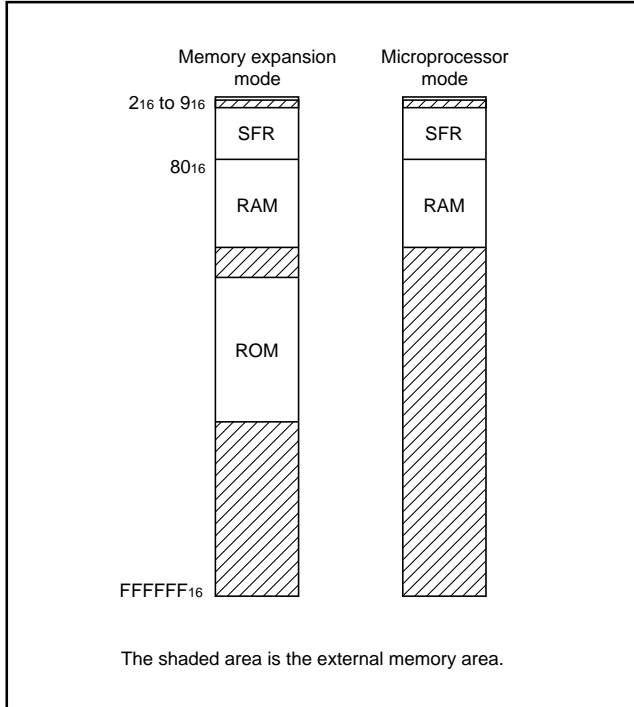


Fig. 86 External memory area for each mode

**(1) Single-chip mode [00]**

The microcomputer enters the single-chip mode by connecting the CNVss pin to Vss and starting from reset. Ports P0 to P4 all function as normal I/O ports. Port P42 can output clock source  $\phi_1$  by setting bit 7 of the processor mode register 0 to "1". For clock  $\phi_1$ , refer to Figure 82.

In this mode, enable signal  $\bar{E}$  is output from pin  $\bar{E}$ . Signal  $\bar{E}$  output can be stopped by setting the signal output disable select bit (bit 4 of particular function select register 1) to "1", and it is possible to switch the output to "L" level. Table 8 shows the function of the signal output disable select bit's function.

**(2) Memory expansion mode [01]**

The microcomputer enters the memory expansion mode by setting the processor mode bits to "01" after connecting the CNVss pin to Vss and starting from reset.

Pin  $\bar{E}$  becomes the  $\bar{E}$  output pin.  $\bar{E}$  is an enable signal and is "L" during the data/instruction-code-read or data-write term. When the internal memory area is read or written, the  $\bar{E}$  can be fixed to "H" by setting the signal output disable select bit (bit 4 of particular function select register 1) to "1".

Port P0 becomes an address output pin, and its I/O port function are lost.

Port P1 has two functions depending on the level of the BYTE pin. In both cases, the I/O port function is lost.

When the BYTE pin level is "L", port P1 functions as an address output pin while  $\bar{E}$  is "H" and as an odd-address-data I/O pin while  $\bar{E}$  is "L". However, if an internal memory area is read, external data is not

input while  $\bar{E}$  is "L".

When the BYTE pin level "H", port P1 functions as an address output pin.

Port P2 has two functions depending on the level of the BYTE pin. In both cases, the I/O port function is lost.

When the BYTE pin level is "L", port P2 functions as an address output pin while  $\bar{E}$  is "H" and as an even-address-data I/O pin while  $\bar{E}$  is "L". However, if an internal memory is read, external data is not input while  $\bar{E}$  is "L".

When the BYTE pin level is "H", port P2 functions as an address output pin while  $\bar{E}$  is "H" and as an even- and odd-address-data I/O pin while  $\bar{E}$  is "L". However, if an internal memory is read, external data is not input while  $\bar{E}$  is "L".

Ports P30, P31, P32, and P33 become  $R/\bar{W}$ ,  $\bar{BHE}$ ,  $\bar{ALE}$ , and  $\bar{HLDA}$  output pins respectively and lose their I/O port functions.

$R/\bar{W}$  is a read/write signal which indicates a read when it is "H" and a write when it is "L".

$\bar{BHE}$  is a byte-high-enable signal which indicates that an odd address is accessed when it is "L".

Therefore, two bytes at even and odd addresses are accessed simultaneously when address  $A_0$  is "L" and  $\bar{BHE}$  is "L".

$\bar{ALE}$  is an address-latch-enable signal used to latch the address signal from a multiplexed signal of address and data. The latch is open while  $\bar{ALE}$  is "H", so that the address signal passes through; the address is held while  $\bar{ALE}$  is "L".

$\bar{HLDA}$  is a hold-acknowledge signal and is used to indicate to the external that the microcomputer accepts  $\bar{HOLD}$  input and enters Hold state.

Ports P40 and P41 become  $\bar{HOLD}$  and  $\bar{RDY}$  input pins, respectively, and their I/O port function are lost.

$\bar{HOLD}$  is a hold-request signal. It is an input signal used to make the microcomputer enter Hold state.  $\bar{HOLD}$  input is accepted when the  $\phi$  BIU has fallen from "H" to "L" level while the bus is not used. Ports P0, P1, P30 and P31 enter the floating state while the microcomputer stays in Hold state. These ports enter the floating state one cycle of  $\phi$  BIU later than  $\bar{HLDA}$  signal becomes "L" level. When terminating Hold state, these ports are released from the floating state one cycle of  $\phi$  BIU later than  $\bar{HLDA}$  signal becomes "H" level.

$\bar{RDY}$  is a ready signal. When this signal goes "L",  $\phi$  CPU and  $\phi$  BIU stop at "L".  $\bar{RDY}$  is used when a slow external memory is connected, and so on.

Port P42 becomes a normal I/O port when bit 7 of the processor mode register 0 is "0" and becomes the clock  $\phi_1$  output pin when bit 7 is "1". The  $\phi_1$  output is independent of  $\bar{RDY}$  and does not stop even when  $\phi$  CPU and  $\phi$  BIU stop owing to "L" input to the  $\bar{RDY}$  pin.



**PRELIMINARY**  
Notice: This is not a final specification.  
Some parametric limits are subject to change.

# M37753M8C-XXXFP, M37753M8C-XXXHP M37753S4CFP, M37753S4CHP

SINGLE-CHIP 16-BIT CMOS MICROCOMPUTER

### (3) Microprocessor mode [10]

The microcomputer enters the microprocessor mode by connecting the CNVss pin to Vcc and starting from reset. It is possible to enter this mode by programming the processor mode bits to "10" after connecting the CNVss pin to Vss and starting from reset. This mode is the same as the memory expansion mode except the following: the internal ROM is disabled and an external memory is required, and clock  $\phi 1$  is always output from port P42 independent of bit 7 of the processor mode register 0.

As shown in Table 8,  $\phi 1$  output can also be stopped by setting the signal output disable select bit to "1". In this case, write "1" to the port P42 direction register bit.

Table 9 shows the relationship between the CNVss pin's input level and the processor modes.

Table 9. Relationship between CNVss pin's input levels and processor modes

CNVss	Mode	Description
Vss	<ul style="list-style-type: none"><li>• Single-chip</li><li>• Memory expansion</li><li>• Microprocessor</li></ul>	Single-chip mode upon starting after reset. Each mode can be selected by changing the processor mode bits by software.
Vcc	<ul style="list-style-type: none"><li>• Microprocessor</li></ul>	Microprocessor mode upon starting after reset.

**M37753M8C-XXXFP, M37753M8C-XXXHP**  
**M37753S4CFP, M37753S4CHP**

SINGLE-CHIP 16-BIT CMOS MICROCOMPUTER

**MEMORY MODIFICATION FUNCTION**

The M37753M8C-XXXFP and M37753M8C-XXXHP's internal memory size and address area can be modified by set of bit 2 (memory allocation select bit) of the particular function select register 0. Figure 87 shows the memory allocation when modifying the internal memory area.

When ordering a mask ROM, Mitsubishi Electric corp. produces the mask ROM using the data within 60 Kbytes (between addresses 001000<sub>16</sub> to 00FFFF<sub>16</sub>). It is regardless of the selected ROM size (refer to MASK ROM ORDER CONFIRMATION FORM). Therefore, on the EPROM tendered for ordering a mask ROM, program data "FF<sub>16</sub>" to addresses which correspond to the area out of the selected ROM area.

Additionally, address 00FFFF<sub>16</sub> of the microcomputer corresponds to the lowest address of the tendered EPROM.

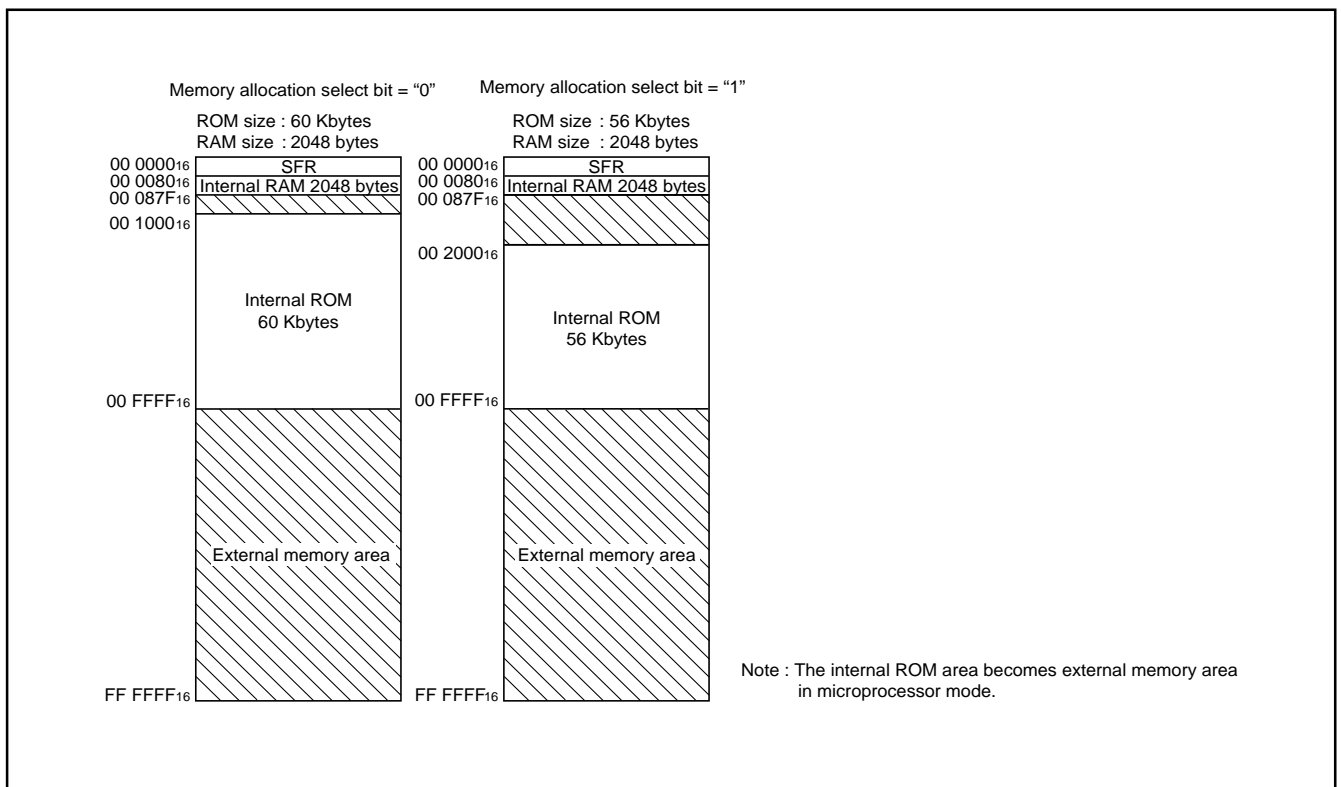


Fig. 87 Memory allocation when modifying internal memory area with memory allocation select bit

**PRELIMINARY**  
 Notice: This is not a final specification.  
 Some parametric limits are subject to change.

# M37753M8C-XXXFP, M37753M8C-XXXHP M37753S4CFP, M37753S4CHP

SINGLE-CHIP 16-BIT CMOS MICROCOMPUTER

## ADDRESSING MODES AND INSTRUCTION SET

The M37753M8C-XXXFP and M37753M8C-XXXHP have 29 powerful addressing modes; 1 addressing mode is added to the basis of the 7700 series. Refer to the "7751 Series Software Manual" for the details.

## INSTRUCTION SET

The M37753M8C-XXXFP and M37753M8C-XXXHP have the extended instruction set; 6 instructions are added to the instruction set of 7700 series. The object code of this extended instruction set is upwards compatible to that of 7700 series instruction set. Refer to the "7751 Series Software Manual" for the details.

## SHORTENING NUMBER OF INSTRUCTION EXECUTION CYCLES

Shortening number of instruction execution cycles is realized in the M37753M8C-XXXFP and M37753M8C-XXXHP owing to modifications of the instruction execution algorithm and the CPU circuit, and others.

Refer to the "7751 Series Software Manual" about the number of instruction execution cycles.

## DATA REQUIRED FOR MASK ROM ORDERING

Please send the following data for mask orders:

<M37753M8C-XXXFP>

- (1) M37753M8C-XXXFP mask ROM order confirmation form
- (2) 80P6N mark specification form
- (3) ROM data (EPROM 3 sets)

<M37753M8C-XXXHP>

- (1) M37753M8C-XXXHP mask ROM order confirmation form
- (2) 80P6Q mark specification form
- (3) ROM data (EPROM 3 sets)

**PRELIMINARY**  
 Notice: This is not a final specification.  
 Some parametric limits are subject to change.

# M37753M8C-XXXFP, M37753M8C-XXXHP M37753S4CFP, M37753S4CHP

SINGLE-CHIP 16-BIT CMOS MICROCOMPUTER

## ABSOLUTE MAXIMUM RATINGS

Symbol	Parameter	Ratings	Unit
V <sub>CC</sub>	Power source voltage	-0.3 to 7	V
AV <sub>CC</sub>	Analog power source voltage	-0.3 to 7	V
V <sub>I</sub>	Input voltage RESET, CNV <sub>SS</sub> , BYTE	-0.3 to 12	V
V <sub>I</sub>	Input voltage P00-P07, P10-P17, P20-P27, P30-P33, P40-P47, P50-P57, P60-P67, P70-P77, P80-P87, V <sub>REF</sub> , X <sub>IN</sub>	-0.3 to V <sub>CC</sub> +0.3	V
V <sub>O</sub>	Output voltage P00-P07, P10-P17, P20-P27, P30-P33, P40-P47, P50-P57, P60-P67, P70-P77, P80-P87, X <sub>OUT</sub> , E	-0.3 to V <sub>CC</sub> +0.3	V
P <sub>d</sub>	Power dissipation	300	mW
T <sub>opr</sub>	Operating temperature	-20 to 85	°C
T <sub>stg</sub>	Storage temperature	-40 to 150	°C

## RECOMMENDED OPERATING CONDITIONS (V<sub>CC</sub> = 5 V ± 10 %, T<sub>a</sub> = -20 to 85 °C, unless otherwise noted)

Symbol	Parameter	Limits			Unit
		Min.	Typ.	Max.	
V <sub>CC</sub>	Supply voltage	4.5	5.0	5.5	V
AV <sub>CC</sub>	Analog supply voltage		V <sub>CC</sub>		V
V <sub>SS</sub>	Supply voltage		0		V
AV <sub>SS</sub>	Analog supply voltage		0		V
V <sub>IH</sub>	High-level input voltage P00-P07, P30-P33, P40-P47, P50-P57, P60-P67, P70-P77, P80-P87, X <sub>IN</sub> , RESET, CNV <sub>SS</sub> , BYTE	0.8 V <sub>CC</sub>		V <sub>CC</sub>	V
V <sub>IH</sub>	High-level input voltage P10-P17, P20-P27 (in single-chip mode)	0.8 V <sub>CC</sub>		V <sub>CC</sub>	V
V <sub>IH</sub>	High-level input voltage P10-P17, P20-P27 (in memory expansion mode and microprocessor mode)	0.5 V <sub>CC</sub>		V <sub>CC</sub>	V
V <sub>IL</sub>	Low-level input voltage P00-P07, P30-P33, P40-P47, P50-P57, P60-P67, P70-P77, P80-P87, X <sub>IN</sub> , RESET, CNV <sub>SS</sub> , BYTE	0		0.2 V <sub>CC</sub>	V
V <sub>IL</sub>	Low-level input voltage P10-P17, P20-P27 (in single-chip mode)	0		0.2 V <sub>CC</sub>	V
V <sub>IL</sub>	Low-level input voltage P10-P17, P20-P27 (in memory expansion mode and microprocessor mode)	0		0.16 V <sub>CC</sub>	V
I <sub>OH(peak)</sub>	High-level peak output current P00-P07, P10-P17, P20-P27, P30-P33, P40-P47, P50-P57, P60-P67, P70-P77, P80-P87			-10	mA
I <sub>OH(avg)</sub>	High-level average output current P00-P07, P10-P17, P20-P27, P30-P33, P40-P47, P50-P57, P60-P67, P70-P77, P80-P87			-5	mA
I <sub>OL(peak)</sub>	Low-level peak output current P00-P07, P10-P17, P20-P27, P30-P33, P40-P47, P56, P57, P60-P67, P70-P77, P80-P87			10	mA
I <sub>OL(peak)</sub>	Low-level peak output current P50-P55			20	mA
I <sub>OL(avg)</sub>	Low-level average output current P00-P07, P10-P17, P20-P27, P30-P33, P40-P47, P56, P57, P60-P67, P70-P77, P80-P87			5	mA
I <sub>OL(avg)</sub>	Low-level average output current P50-P55			15	mA
f(X <sub>IN</sub> )	External clock frequency input ( <b>Note 3</b> )				MHz
	Low-speed running			25	
	High-speed running			40	

**Notes 1:** Average output current is the average value of a 100 ms interval.

**2:** The sum of I<sub>OL(peak)</sub> for ports P0, P1, P2, P3, and P8 must be 80 mA or less, the sum of I<sub>OL(peak)</sub> for ports P4, P5, P6, and P7 must be 110 mA or less, the sum of I<sub>OH(peak)</sub> for ports P4, P5, P6, and P7 must be 80 mA or less.

**3:** When the clock source select bit is "1," f(X<sub>IN</sub>)'s maximum limit is 12.5 MHz at low-speed running and is 20 MHz at high-speed running.

**M37753M8C-XXXFP, M37753M8C-XXXHP  
M37753S4CFP, M37753S4CHP**

SINGLE-CHIP 16-BIT CMOS MICROCOMPUTER

**PRELIMINARY**  
Notice: This is not a final specification.  
Some parametric limits are subject to change.

**ELECTRICAL CHARACTERISTICS** (V<sub>CC</sub> = 5 V, V<sub>SS</sub> = 0 V, T<sub>a</sub> = -20 to 85 °C, f(X<sub>IN</sub>) = 40 MHz (Note))

Symbol	Parameter	Test conditions	Limits			Unit
			Min.	Typ.	Max.	
V <sub>OH</sub>	High-level output voltage P00-P07, P10-P17, P20-P27, P30, P31, P33, P40-P47, P50-P57, P60-P67, P70-P77, P80-P87	I <sub>OH</sub> = -10 mA	3			V
V <sub>OH</sub>	High-level output voltage P00-P07, P10-P17, P20-P27, P30, P31, P33,	I <sub>OH</sub> = -400 μA	4.7			V
V <sub>OH</sub>	High-level output voltage P32	I <sub>OH</sub> = -10 mA I <sub>OH</sub> = -400 μA	3.1 4.8			V
V <sub>OH</sub>	High-level output voltage $\bar{E}$	I <sub>OH</sub> = -10 mA I <sub>OH</sub> = -400 μA	3.4 4.8			V
V <sub>OL</sub>	Low-level output voltage P00-P07, P10-P17, P20-P27, P30, P31, P33, P40-P47, P56, P57, P60-P67, P70-P77, P80-P87	I <sub>OL</sub> = 10 mA			2	V
V <sub>OL</sub>	Low-level output voltage P00-P07, P10-P17, P20-P27, P30, P31, P33	I <sub>OL</sub> = 2 mA			0.45	V
V <sub>OL</sub>	Low-level output voltage P32	I <sub>OL</sub> = 10 mA I <sub>OL</sub> = 2 mA			1.9 0.43	V
V <sub>OL</sub>	Low-level output voltage $\bar{E}$	I <sub>OL</sub> = 10 mA I <sub>OL</sub> = 2 mA			1.6 0.4	V
V <sub>OL</sub>	Low-level output voltage P50-P55	I <sub>OL</sub> = 20 mA I <sub>OL</sub> = 2 mA			2 0.4	V
V <sub>T+</sub> - V <sub>T-</sub>	Hysteresis $\overline{HOLD}$ , RDY, TA0IN-TA4IN, TB0IN-TB2IN, INT0-INT4, ADTRG, CTS0, CTS1, CLK0, CLK1, RxD0, RxD1		0.4		1	V
V <sub>T+</sub> - V <sub>T-</sub>	Hysteresis RESET, HOLD, RDY		0.2		0.5	V
V <sub>T+</sub> - V <sub>T-</sub>	Hysteresis X <sub>IN</sub>		0.1		0.3	V
I <sub>IH</sub>	High-level input current P00-P07, P10-P17, P20-P27, P30-P33, P40-P47, P50-P57, P60-P67, P70-P77, P80-P87, X <sub>IN</sub> , RESET, CNVSS, BYTE	V <sub>I</sub> = 5 V			5	μA
I <sub>IL</sub>	Low-level input current P00-P07, P10-P17, P20-P27, P30-P33, P40-P47, P50-P53, P60-P67, P70-P77, P81-P87, X <sub>IN</sub> , RESET, CNVSS, BYTE	V <sub>I</sub> = 0 V			-5	μA
I <sub>IL</sub>	Low-level input current P54-P57, P80	V <sub>I</sub> = 0 V, No pull-up transistor V <sub>I</sub> = 0 V, Pull-up transistor used			-5 -1.0	μA mA
V <sub>RAM</sub>	RAM hold voltage	When clock is stoped.	2			V
I <sub>CC</sub>	Power supply current (target value)	Output-only pin is open and other pins are V <sub>SS</sub> during reset.	f(X <sub>IN</sub> ) = 40 MHz, square waveform (Note) T <sub>a</sub> = 25 °C when clock is stopped. T <sub>a</sub> = 85 °C when clock is stopped.		25 1 20	mA μA

Note: f(X<sub>IN</sub>) = 20 MHz when the clock source select bit = "1."

**PRELIMINARY**  
 Notice: This is not a final specification.  
 Some parametric limits are subject to change.

**M37753M8C-XXXFP, M37753M8C-XXXHP**  
**M37753S4CFP, M37753S4CHP**

SINGLE-CHIP 16-BIT CMOS MICROCOMPUTER

**A-D CONVERTER CHARACTERISTICS**

(VCC = AVCC = 5 V ± 10 %, VSS = AVSS = 0 V, Ta = -20 to 85 °C, the clock source select bit = 0, unless otherwise noted)

Symbol	Parameter	Test conditions		Limits			Unit
				Min.	Typ.	Max.	
—	Resolution	VREF = VCC		A-D converter selected		10	Bits
				Comparator selected		$\frac{1}{256} V_{REF}$	V
—	Absolute accuracy	VREF = VCC	250 kHz ≤ φAD ≤ 12.5 MHz	10-bit mode		± 3	LSB
				8-bit mode		± 2	LSB
			250 kHz ≤ φAD ≤ 20 MHz (Note 1)	Comparator		± 40	mV
				8-bit mode		± 3	LSB
			Comparator		± 60	mV	
RLADDER	Ladder resistance	VREF = VCC			5	20	kΩ
tCONV	Conversion time	High-speed running (f(XIN) ≤ 40 MHz) (Note 2)	φAD = f(XIN)/4 selected	10-bit mode	5.9		μs
				8-bit mode	4.9		
				Comparator	1.4		
		Low-speed running (f(XIN) ≤ 25 MHz) (Note 2)	φAD = f(XIN)/2 selected	8-bit mode	2.45		
				Comparator	0.7		
				10-bit mode	4.72		
				8-bit mode	3.92		
				Comparator	1.12		
VREF	Reference voltage				2.7	VCC	V
VIA	Analog input voltage				0	VREF	V

Notes 1: This is valid when the high-speed running is selected.

2: When the clock source select bit = 1, f(XIN) is 20 MHz or less at the high-speed running, and f(XIN) is 12.5 MHz or less at the low-speed running.

**D-A CONVERTER CHARACTERISTICS**

(VCC = 5 V, VSS = AVSS = 0 V, VREF = 5 V, Ta = -20 to 85 °C, unless otherwise noted)

Symbol	Parameter	Test conditions	Limits			Unit
			Min.	Typ.	Max.	
—	Resolution				8	Bits
—	Absolute accuracy				± 1.0	%
tsu	Set time				3	μs
RO	Output resistance		1	2.5	4	kΩ
IVREF	Reference power supply input current	(Note)			3.2	mA

Note: The test conditions are as follows:

- One D-A converter is used.
- The D-A register value of the unused D-A converter is "0016."
- The reference power supply input current of the ladder resistance of the A-D converter is excluded.

# M37753M8C-XXXFP, M37753M8C-XXXHP

## M37753S4CFP, M37753S4CHP

SINGLE-CHIP 16-BIT CMOS MICROCOMPUTER

**PRELIMINARY**  
 Notice: This is not a final specification.  
 Some parametric limits are subject to change.

### PERIPHERAL DEVICE INPUT/OUTPUT TIMING (V<sub>CC</sub> = 5 V $\pm$ 10 %, V<sub>CC</sub> = 0 V, T<sub>a</sub> = -20 to 85 °C, unless otherwise noted)

\* If the values depends on external clock frequency f(X<sub>IN</sub>), formulas of the limits are shown below. Also, the values at f(X<sub>IN</sub>) = 40 MHz in high-speed running and at f(X<sub>IN</sub>) = 25 MHz in low-speed running are shown in ( ). At this time, the clock source select bit is "0." When the clock source select bit is "1", regard f(X<sub>IN</sub>) in tables as 2·f(X<sub>IN</sub>).

\* The rise and fall time of input signal must be 100 ns or less respectively, unless otherwise noted.

#### Timer A input (Count input in event counter mode)

Symbol	Parameter	Limits		Unit
		Min.	Max.	
t <sub>c</sub> (TA)	TAiIN input cycle time	80		ns
t <sub>w</sub> (TAH)	TAiIN input high-level pulse width	40		ns
t <sub>w</sub> (TAL)	TAiIN input low-level pulse width	40		ns

#### Timer A input (Gating input in timer mode)

Symbol	Parameter	Limits		Unit
		Min.	Max.	
t <sub>c</sub> (TA)	TAiIN input cycle time	f(X <sub>IN</sub> ) ≤ 40 MHz	$\frac{16 \times 10^9}{f(X_{IN})}$ (400)	ns
		(X <sub>IN</sub> ) ≤ 25 MHz	$\frac{8 \times 10^9}{f(X_{IN})}$ (320)	ns
t <sub>w</sub> (TAH)	TAiIN input high-level pulse width	f(X <sub>IN</sub> ) ≤ 40 MHz	$\frac{8 \times 10^9}{f(X_{IN})}$ (200)	ns
		f(X <sub>IN</sub> ) ≤ 25 MHz	$\frac{4 \times 10^9}{f(X_{IN})}$ (160)	ns
t <sub>w</sub> (TAL)	TAiIN input low-level pulse width	f(X <sub>IN</sub> ) ≤ 40 MHz	$\frac{8 \times 10^9}{f(X_{IN})}$ (200)	ns
		f(X <sub>IN</sub> ) ≤ 25 MHz	$\frac{4 \times 10^9}{f(X_{IN})}$ (160)	ns

**Note** : The TAiIN input cycle time requires 4 or more cycles of count source. The TAiIN input high-level pulse width and the TAiIN input low-level pulse width respectively require 2 or more cycles of the count source. The limits in the table are the values when the count source is f(X<sub>IN</sub>)/4 in high-speed running (f(X<sub>IN</sub>) ≤ 40 MHz) and when the count source is f(X<sub>IN</sub>)/2 in low-speed running (f(X<sub>IN</sub>) ≤ 25 MHz). At this time, the clock source select bit is "0."

#### Timer A input (External trigger input in one-shot pulse mode)

Symbol	Parameter	Limits		Unit
		Min.	Max.	
t <sub>c</sub> (TA)	TAiIN input cycle time	f(X <sub>IN</sub> ) ≤ 40 MHz	$\frac{8 \times 10^9}{f(X_{IN})}$ (200)	ns
		f(X <sub>IN</sub> ) ≤ 25 MHz	$\frac{4 \times 10^9}{f(X_{IN})}$ (160)	ns
t <sub>w</sub> (TAH)	TAiIN input high-level pulse width	80		ns
t <sub>w</sub> (TAL)	TAiIN input low-level pulse width	80		ns

#### Timer A input (External trigger input in pulse width modulation mode)

Symbol	Parameter	Limits		Unit
		Min.	Max.	
t <sub>w</sub> (TAH)	TAiIN input high-level pulse width	80		ns
t <sub>w</sub> (TAL)	TAiIN input low-level pulse width	80		ns

#### Timer A input (Up-down input in event counter mode)

Symbol	Parameter	Limits		Unit
		Min.	Max.	
t <sub>c</sub> (UP)	TAiOUT input cycle time	2000		ns
t <sub>w</sub> (UPH)	TAiOUT input high-level pulse width	1000		ns
t <sub>w</sub> (UPL)	TAiOUT input low-level pulse width	1000		ns
t <sub>su</sub> (UP-TiN)	TAiOUT input setup time	400		ns
t <sub>h</sub> (TiN-UP)	TAiOUT input hold time	400		ns

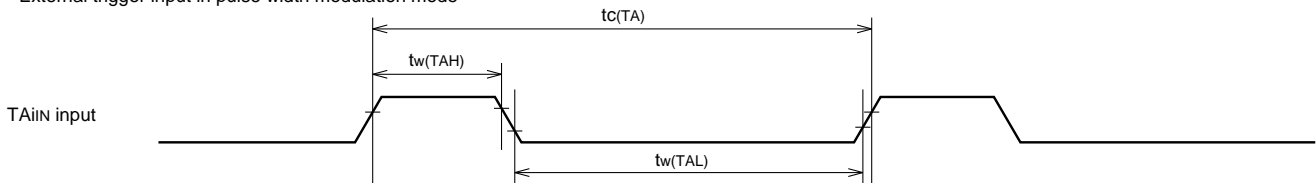
**M37753M8C-XXXFP, M37753M8C-XXXHP**  
**M37753S4CFP, M37753S4CHP**

SINGLE-CHIP 16-BIT CMOS MICROCOMPUTER

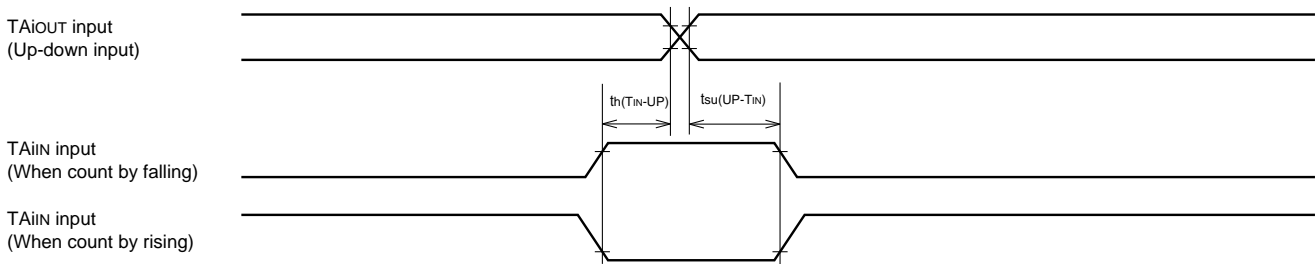
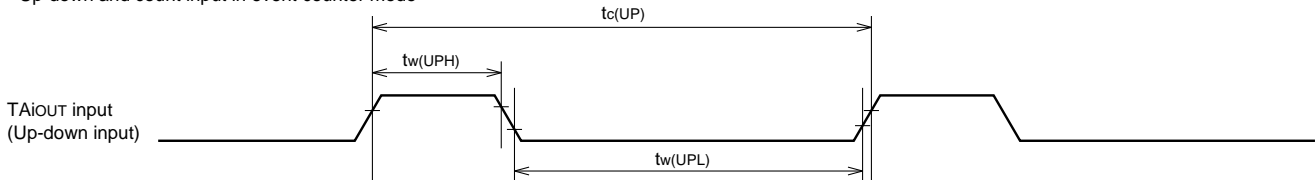
**Timer A input** (Two-phase pulse input in event counter mode)

Symbol	Parameter	Limits		Unit
		Min.	Max.	
$t_c(TA)$	TAiIN input cycle time	800		ns
$t_{su}(TA_{jIN}-TA_{jOUT})$	TAjIN input setup time	200		ns
$t_{su}(TA_{jOUT}-TA_{jIN})$	TAjOUT input setup time	200		ns

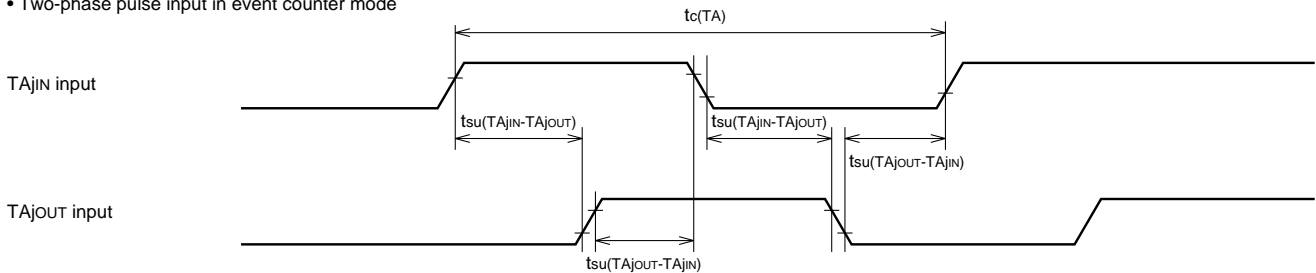
- Count input in event counter mode
- Gating input in timer mode
- External trigger input in one-shot pulse mode
- External trigger input in pulse width modulation mode



- Up-down and count input in event counter mode



- Two-phase pulse input in event counter mode



Test conditions

- $V_{CC} = 5 V \pm 10 \%$
- Input timing voltage :  $V_{IL} = 1.0 V, V_{IH} = 4.0 V$



# M37753M8C-XXXFP, M37753M8C-XXXHP M37753S4CFP, M37753S4CHP

SINGLE-CHIP 16-BIT CMOS MICROCOMPUTER

**PRELIMINARY**  
Notice: This is not a final specification.  
Some parametric limits are subject to change.

## Timer B input (Count input in event counter mode)

Symbol	Parameter	Limits		Unit
		Min.	Max.	
tc(TB)	TBiIN input cycle time (one edge count)	80		ns
tw(TBH)	TBiIN input high-level pulse width (one edge count)	40		ns
tw(TBL)	TBiIN input low-level pulse width (one edge count)	40		ns
tc(TB)	TBiIN input cycle time (both edge count)	160		ns
tw(TBH)	TBiIN input high-level pulse width (both edge count)	80		ns
tw(TBL)	TBiIN input low-level pulse width (both edge count)	80		ns

## Timer B input (Pulse period measurement mode)

Symbol	Parameter	Limits		Unit
		Min.	Max.	
tc(TB)	TBiIN input cycle time	f(XIN) ≤ 40 MHz	$\frac{16 \times 10^9}{f(XIN)}$ (400)	ns
		f(XIN) ≤ 25 MHz	$\frac{8 \times 10^9}{f(XIN)}$ (320)	ns
tw(TBH)	TBiIN input high-level pulse width	f(XIN) ≤ 40 MHz	$\frac{8 \times 10^9}{f(XIN)}$ (200)	ns
		f(XIN) ≤ 25 MHz	$\frac{4 \times 10^9}{f(XIN)}$ (160)	ns
tw(TBL)	TBiIN input low-level pulse width	f(XIN) ≤ 40 MHz	$\frac{8 \times 10^9}{f(XIN)}$ (200)	ns
		f(XIN) ≤ 25 MHz	$\frac{4 \times 10^9}{f(XIN)}$ (160)	ns

Note : The TBiIN input cycle time requires 4 or more cycles of count source. The TBiIN input high-level pulse width and the TBiIN input low-level pulse width respectively require 2 or more cycles of the count source. The limits in the table are the values when the count source is f(XIN)/4 in high-speed running (f(XIN) ≤ 40 MHz) and when the count source is f(XIN)/2 in low-speed running (f(XIN) ≤ 25 MHz). At this time, the clock source select bit is "0."

## Timer B input (Pulse width measurement mode)

Symbol	Parameter	Limits		Unit
		Min.	Max.	
tc(TB)	TBiIN input cycle time	f(XIN) ≤ 40 MHz	$\frac{16 \times 10^9}{f(XIN)}$ (400)	ns
		f(XIN) ≤ 25 MHz	$\frac{8 \times 10^9}{f(XIN)}$ (320)	ns
tw(TBH)	TBiIN input high-level pulse width	f(XIN) ≤ 40 MHz	$\frac{8 \times 10^9}{f(XIN)}$ (200)	ns
		f(XIN) ≤ 25 MHz	$\frac{4 \times 10^9}{f(XIN)}$ (160)	ns
tw(TBL)	TBiIN input low-level pulse width	f(XIN) ≤ 40 MHz	$\frac{8 \times 10^9}{f(XIN)}$ (200)	ns
		f(XIN) ≤ 25 MHz	$\frac{4 \times 10^9}{f(XIN)}$ (160)	ns

Note : The TBiIN input cycle time requires 4 or more cycles of count source. The TBiIN input high-level pulse width and the TBiIN input low-level pulse width respectively require 2 or more cycles of the count source. The limits in the table are the values when the count source is f(XIN)/4 in high-speed running (f(XIN) ≤ 40 MHz) and when the count source is f(XIN)/2 in low-speed running (f(XIN) ≤ 25 MHz). At this time, the clock source select bit is "0."

## A-D trigger input

Symbol	Parameter	Limits		Unit
		Min.	Max.	
tc(AD)	ADTRG input cycle time (minimum allowable trigger)	1000		ns
tw(ADL)	ADTRG input low-level pulse width	125		ns

**M37753M8C-XXXFP, M37753M8C-XXXHP**  
**M37753S4CFP, M37753S4CHP**

SINGLE-CHIP 16-BIT CMOS MICROCOMPUTER

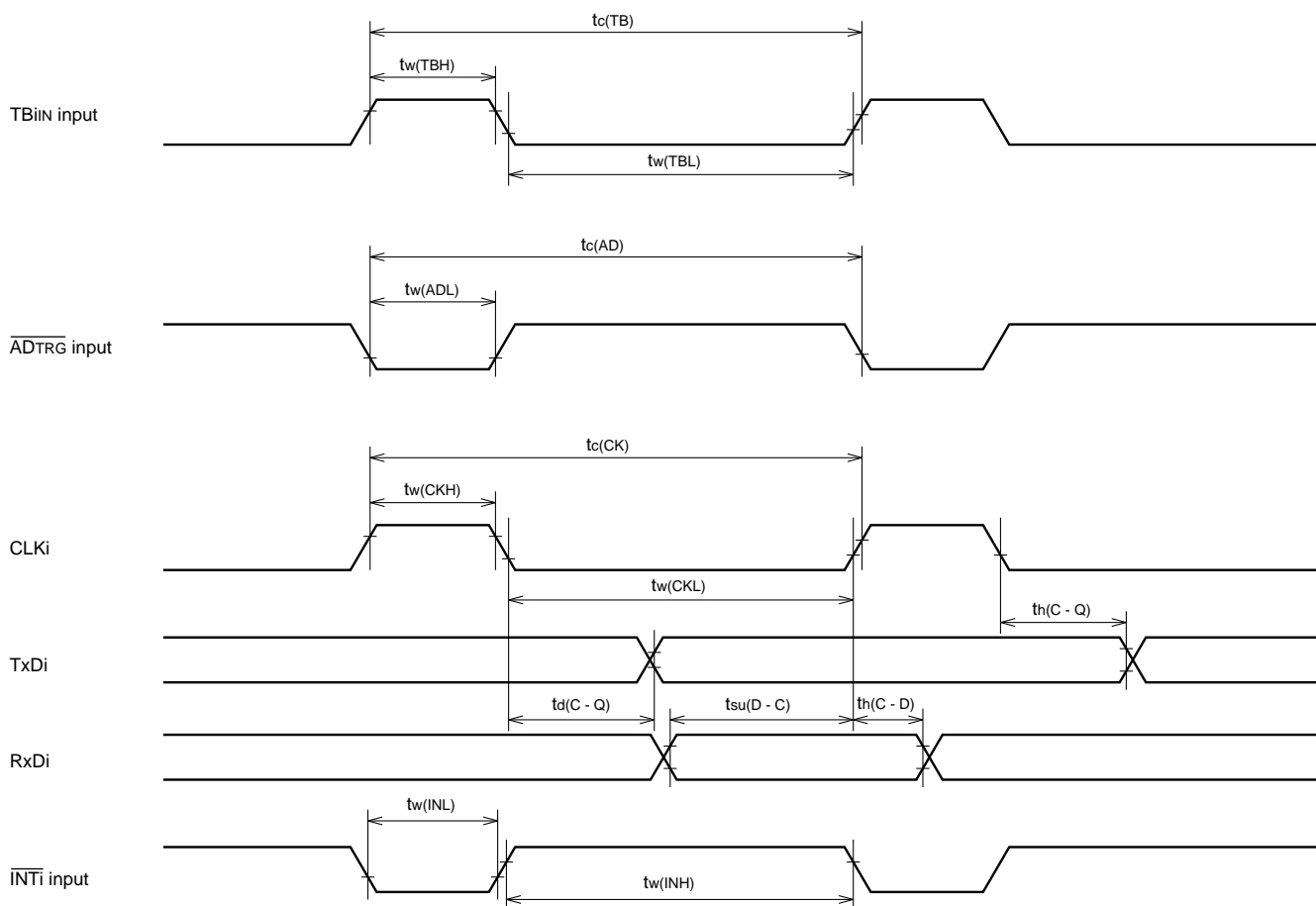
**PRELIMINARY**  
 Notice: This is not a final specification.  
 Some parametric limits are subject to change.

**Serial I/O**

Symbol	Parameter	Limits		Unit
		Min.	Max.	
$t_c(\text{CK})$	CLKi input cycle time	200		ns
$t_w(\text{CKH})$	CLKi input high-level pulse width	100		ns
$t_w(\text{CKL})$	CLKi input low-level pulse width	100		ns
$t_d(\text{C-Q})$	TxDi output delay time		80	ns
$t_h(\text{C-Q})$	TxDi hold time	0		ns
$t_{su}(\text{D-C})$	RxDi input setup time	20		ns
$t_h(\text{C-D})$	RxDi input hold time	90		ns

**External interrupt  $\overline{\text{INT}}_i$  input**

Symbol	Parameter	Limits		Unit
		Min.	Max.	
$t_w(\text{INH})$	$\overline{\text{INT}}_i$ input high-level pulse width	250		ns
$t_w(\text{INL})$	$\overline{\text{INT}}_i$ input low-level pulse width	250		ns



Test conditions

- $V_{cc} = 5 \text{ V} \pm 10 \%$
- Input timing voltage :  $V_{IL} = 1.0 \text{ V}$ ,  $V_{IH} = 4.0 \text{ V}$
- Output timing voltage :  $V_{OL} = 0.8 \text{ V}$ ,  $V_{OH} = 2.0 \text{ V}$ ,  $C_L = 100 \text{ pF}$

**M37753M8C-XXXFP, M37753M8C-XXXHP  
M37753S4CFP, M37753S4CHP**

SINGLE-CHIP 16-BIT CMOS MICROCOMPUTER

**PRELIMINARY**  
Notice: This is not a final specification.  
Some parametric limits are subject to change.

**READY, HOLD TIMING**

**Timing requirements** ( $V_{CC} = 5 V \pm 10\%$ ,  $V_{SS} = 0 V$ ,  $T_a = -20$  to  $85\text{ }^\circ\text{C}$ ,  $f(XIN) = 40$  MHz when the clock source select bit = "0"\* , unless otherwise noted)

\* The rise and fall time of input signal must be 100 ns or less respectively, unless otherwise noted.

Symbol	Parameter	Limits		Unit
		Min.	Max.	
$t_{su}(RDY-\phi 1)$	RDY input setup time	42		ns
$t_{su}(HOLD-\phi 1)$	HOLD input setup time	42		ns
$t_{h}(\phi 1-RDY)$	RDY input hold time	0		ns
$t_{h}(\phi 1-HOLD)$	HOLD input hold time	0		ns

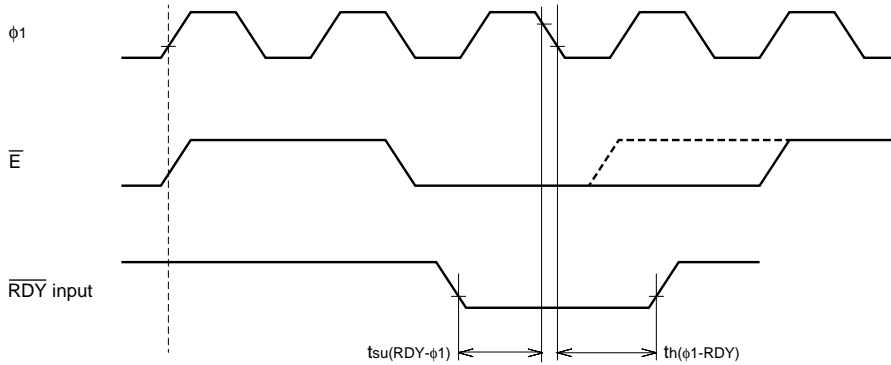
\*:  $f(XIN) = 20$  MHz when the clock source select bit = "1".

**Switching characteristics** ( $V_{CC} = 5 V \pm 10\%$ ,  $V_{SS} = 0 V$ ,  $T_a = -20$  to  $85\text{ }^\circ\text{C}$ ,  $f(XIN) = 40$  MHz when the clock source select bit = "0"\* , unless otherwise noted)

Symbol	Parameter	Limits		Unit
		Min.	Max.	
$t_{d}(\phi 1-HLDA)$	HLDA output delay time		50	ns
$t_{pxz}(HLDA-R/WZ)$	Floating start delay time (at hold state)		50	ns
$t_{pxz}(HLDA-BHEZ)$	Floating start delay time (at hold state)		50	ns
$t_{pxz}(HLDA-AZ)$	Floating start delay time (at hold state)		50	ns
$t_{pxz}(HLDA-A/DZ)$	Floating start delay time (at hold state)		50	ns
$t_{pzx}(HLDA-R/WZ)$	Floating release delay time (at hold state)	0		ns
$t_{pzx}(HLDA-BHEZ)$	Floating release delay time (at hold state)	0		ns
$t_{pzx}(HLDA-AZ)$	Floating release delay time (at hold state)	0		ns
$t_{pzx}(HLDA-A/DZ)$	Floating release delay time (at hold state)	0		ns

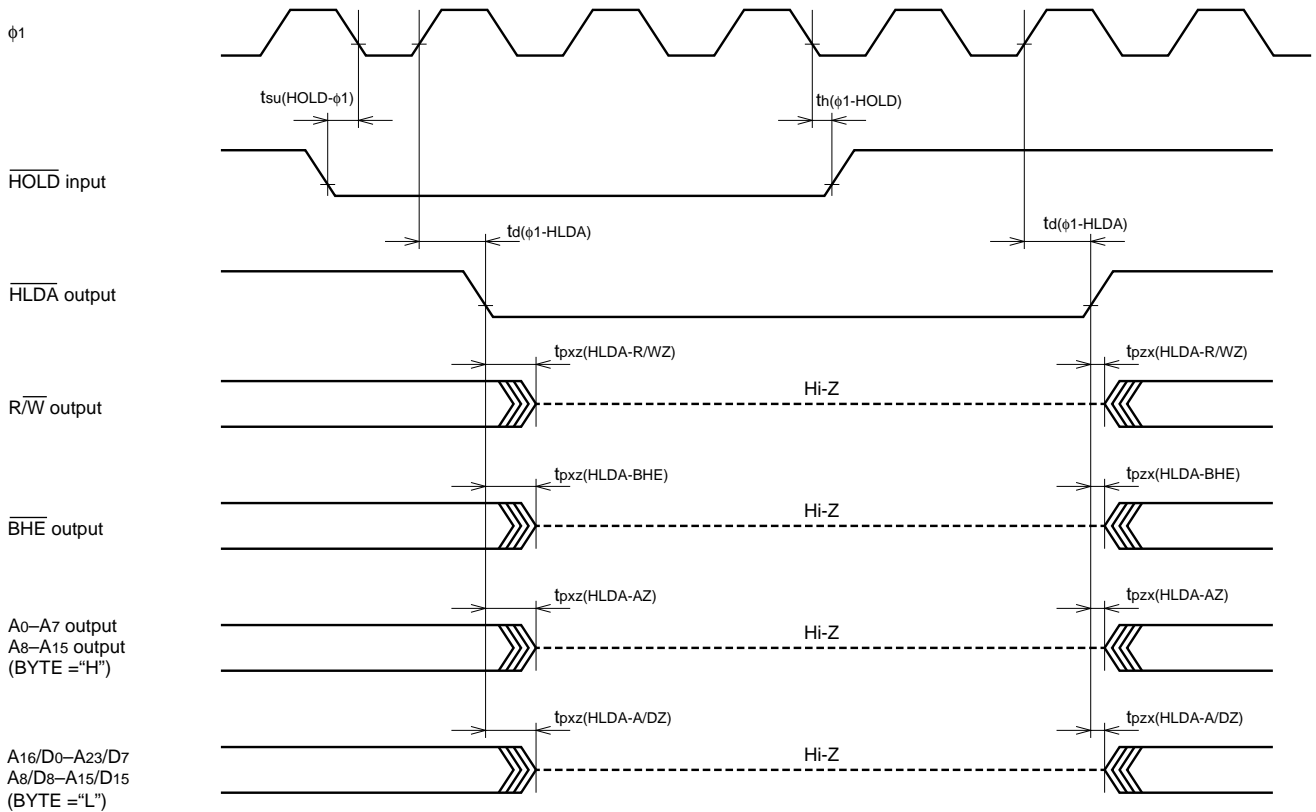
\*:  $f(XIN) = 20$  MHz when the clock source select bit = "1".

**$\overline{\text{RDY}}$  input** (when 3- $\phi$  access in high-speed running)



\*  $\overline{\text{RDY}}$  input is always sampled at the falling edge of  $\phi_1$  just before the  $\overline{\text{E}}$  signal's rise regardless of the bus mode and the number of waits.

**$\overline{\text{HOLD}}$  input**



Test conditions

- $V_{CC} = 5 V \pm 10 \%$
- $\overline{\text{RDY}}$  input,  $\overline{\text{HOLD}}$  input :  $V_{IL} = 1.0 V, V_{IH} = 4.0 V$
- $\overline{\text{HLDA}}$  output :  $V_{OL} = 0.8 V, V_{OH} = 2.0 V, C_L = 100 pF$

**M37753M8C-XXXFP, M37753M8C-XXXHP  
 M37753S4CFP, M37753S4CHP**

SINGLE-CHIP 16-BIT CMOS MICROCOMPUTER

**Timing requirements** ( $V_{CC} = 5 V \pm 10 \%$ ,  $V_{SS} = 0 V$ ,  $T_a = -20$  to  $85 \text{ }^\circ\text{C}$ ,  $f(X_{IN}) = 40 \text{ MHz}$  when the clock source select bit = "0"\*; unless otherwise noted)

\* The rise and fall time of input signal must be 100 ns or less respectively, unless otherwise noted.

**Single-chip mode**

Symbol	Parameter	Limits		Unit
		Min.	Max.	
$t_c$	External clock input cycle time ( <b>Note 1</b> )	25		ns
$t_{w(H)}$	External clock input high-level pulse width ( <b>Note 2</b> )	$t_c/2 - 8$		ns
$t_{w(L)}$	External clock input low-level pulse width ( <b>Note 2</b> )	$t_c/2 - 8$		ns
$t_r$	External clock rise time		8	ns
$t_f$	External clock fall time		8	ns
$t_{su(PiD-E)}$	Port Pi input setup time ( $i = 0-8$ )	60		ns
$t_{h(E-PiD)}$	Port Pi input hold time ( $i = 0-8$ )	0		ns

\*:  $f(X_{IN}) = 20 \text{ MHz}$  when the clock source select bit = "1"

**Notes 1:** When the clock source select bit = "1",  $t_c$ 's minimum limit is 50 ns.

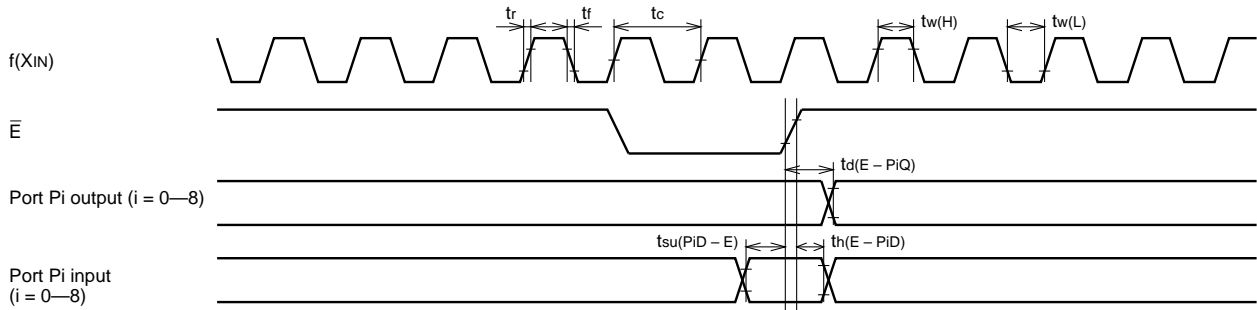
**2:** When the clock source select bit = "1", set  $t_{w(H)}/t_c$  and  $t_{w(L)}/t_c$  ratios to 45 to 55 %.

**Switching characteristics** ( $V_{CC} = 5 V \pm 10 \%$ ,  $V_{SS} = 0 V$ ,  $T_a = -20$  to  $85 \text{ }^\circ\text{C}$ ,  $f(X_{IN}) = 40 \text{ MHz}$  when the clock source select bit = "0"\*; unless otherwise noted)

(Single-chip mode)

Symbol	Parameter	Limits		Unit
		Min.	Max.	
$t_{d(E-PiQ)}$	Port Pi data output delay time ( $i = 0-8$ )		60	ns

\*:  $f(X_{IN}) = 20 \text{ MHz}$  when the clock source select bit = "1"



- Test conditions
- $V_{CC} = 5 V \pm 10 \%$
  - Input timing voltage :  $V_{IL} = 1.0 V$ ,  $V_{IH} = 4.0 V$
  - Output timing voltage :  $V_{OL} = 0.8 V$ ,  $V_{OH} = 2.0 V$ ,  $C_L = 100 \text{ pF}$

**M37753M8C-XXXFP, M37753M8C-XXXHP**  
**M37753S4CFP, M37753S4CHP**

SINGLE-CHIP 16-BIT CMOS MICROCOMPUTER

**Timing requirements** ( $V_{CC} = 5V \pm 10\%$ ,  $V_{SS} = 0V$ ,  $T_a = -20$  to  $85^\circ\text{C}$ ,  $f(X_{IN}) = 25\text{ MHz}$  when the clock source select bit = "0"\*<sup>†</sup>, unless otherwise noted)

\* The rise and fall time of input signal must be 100 ns or less respectively, unless otherwise noted.

**Memory expansion and Microprocessor mode : Low-speed running**

Symbol	Parameter	Limits		Unit
		Min.	Max.	
$t_c$	External clock input cycle time <b>(Note 1)</b>	40		ns
$t_{w(H)}$	External clock input high-level pulse width <b>(Note 2)</b>	$t_c/2 - 8$		ns
$t_{w(L)}$	External clock input low-level pulse width <b>(Note 2)</b>	$t_c/2 - 8$		ns
$t_r$	External clock rise time		8	ns
$t_f$	External clock fall time		8	ns
$t_{su(D-E)}$	Data input setup time	30		ns
$t_{su(PiD-E)}$	Port Pi input setup time ( $i = 4-8$ )	60		ns
$t_{h(E-D)}$	Data input hold time	0		ns
$t_{h(E-PiD)}$	Port Pi input hold time ( $i = 4-8$ )	0		ns
$t_{su(A_n/A-D)}$	Data setup time with address stabilized <b>(Note 3)</b>		55 (2- $\phi$ access)	ns
			135 (3- $\phi$ access)	
			215 (4- $\phi$ access)	

\*:  $f(X_{IN}) = 12.5\text{ MHz}$  when the clock source select bit = "1"

**Notes 1:** When the clock source select bit = "1",  $t_c$ 's minimum limit is 80 ns.

**2:** When the clock source select bit = "1", set  $t_{w(H)}/t_c$  and  $t_{w(L)}/t_c$  ratios to 45 to 55 %.

**3:** Since the values depend on external clock input frequency  $f(X_{IN})$ , calculate them using the bus timing data formula on the page after the next page.

# M37753M8C-XXXFP, M37753M8C-XXXHP M37753S4CFP, M37753S4CHP

SINGLE-CHIP 16-BIT CMOS MICROCOMPUTER

**PRELIMINARY**  
Notice: This is not a final specification.  
Some parametric limits are subject to change.

**Switching characteristics** ( $V_{CC} = 5 V \pm 10\%$ ,  $V_{SS} = 0 V$ ,  $T_a = -20$  to  $85\text{ }^\circ\text{C}$ ,  $f(X_{IN}) = 25\text{ MHz}$  when the clock source select bit = "0"\*, unless otherwise noted)

**Memory expansion and Microprocessor mode : Low-speed running**

Symbol	Parameter	2- $\phi$ access		3- $\phi$ access		4- $\phi$ access		Unit
		Min.	Max.	Min.	Max.	Min.	Max.	
$t_{w(\phi H)}, t_{w(\phi L)}$	$\phi$ high-level pulse width, $\phi$ low-level pulse width <b>(Note)</b>	20		20		20		ns
$t_{d(E-\phi 1)}$	$\phi 1$ output delay time	-12	7	-12	7	-12	7	ns
$t_{w(EL)}$	$\bar{E}$ low-level pulse width <b>(Note)</b>	55		135		135		ns
$t_{d(A_n-E)}$	Address output delay time <b>(Note)</b>	12		12		92		ns
$t_{d(E-DQ)}$	Data output delay time		35		35		35	ns
$t_{p_{zx}(E-DZ)}$	Floating start delay time		5		5		5	ns
$t_{d(A-E)}$	Address output delay time <b>(Note)</b>	12		12		92		ns
$t_{d(A-ALE)}$	Address output delay time <b>(Note)</b>	5		5		52		ns
$t_{d(E-ALE)}$	ALE output delay time <b>(Note)</b>	20		20		20		ns
$t_{d(ALE-E)}$	ALE output delay time	4		4		4		ns
$t_{w(ALE)}$	ALE pulse width <b>(Note)</b>	22		22		62		ns
$t_{d(BHE-E)}$	$\bar{BHE}$ output delay time <b>(Note)</b>	15		15		95		ns
$t_{d(R/\bar{W}-E)}$	$R/\bar{W}$ output delay time <b>(Note)</b>	15		15		95		ns
$t_{h(E-A_n)}$	Address hold time <b>(Note)</b>	10		10		10		ns
$t_{h(ALE-A)}$	Address hold time	9		9		25 <b>(Note)</b>		ns
$t_{h(E-DQ)}$	Data hold time <b>(Note)</b>	18		18		18		ns
$t_{p_{zx}(E-DZ)}$	Floating release delay time <b>(Note)</b>	18		18		18		ns
$t_{h(E-BHE)}$	$\bar{BHE}$ hold time <b>(Note)</b>	10		10		10		ns
$t_{h(E-R/\bar{W})}$	$R/\bar{W}$ hold time <b>(Note)</b>	10		10		10		ns
$t_{d(E-PiQ)}$	Port Pi data output delay time ( $i = 4-8$ )		60		60		60	ns

\*:  $f(X_{IN}) = 12.5\text{ MHz}$  when the clock source select bit = "1"

**Note:** Since the values depend on external clock input frequency  $f(X_{IN})$ , calculate them using the bus timing data formula on the next page.

The value of  $t_{h(ALE-A)}$  depends on  $f(X_{IN})$  only when 4- $\phi$  access is performed.

**M37753M8C-XXXFP, M37753M8C-XXXHP  
 M37753S4CFP, M37753S4CHP**

SINGLE-CHIP 16-BIT CMOS MICROCOMPUTER

**Bus timing data formulas**

**Memory expansion and Microprocessor mode : Low-speed running** ( $V_{CC} = 5 V \pm 10\%$ ,  $V_{SS} = 0 V$ ,  $T_a = -20$  to  $85^\circ C$ ,  $f(X_{IN}) \leq 25$  MHz when the clock source select bit = "0"\*, unless otherwise noted)

Symbol	Parameter	2- $\phi$ access	3- $\phi$ access	4- $\phi$ access	Unit
$t_{su}(An/A-D)$	Data setup time with address stabilized	$\frac{3 \times 10^9}{f(X_{IN})} - 65$	$\frac{5 \times 10^9}{f(X_{IN})} - 65$	$\frac{7 \times 10^9}{f(X_{IN})} - 65$	ns
$t_{w}(\phi H), t_{w}(\phi L)$	$\phi$ high-level pulse width, $\phi$ low-level pulse width	$\frac{1 \times 10^9}{f(X_{IN})} - 20$	←	←	ns
$t_{w}(EL)$	$\bar{E}$ low-level pulse width	$\frac{2 \times 10^9}{f(X_{IN})} - 25$	$\frac{4 \times 10^9}{f(X_{IN})} - 25$	←	ns
$t_{d}(An-E)$	Address output delay time	$\frac{1 \times 10^9}{f(X_{IN})} - 28$	←	$\frac{3 \times 10^9}{f(X_{IN})} - 28$	ns
$t_{d}(A-E)$	Address output delay time	$\frac{1 \times 10^9}{f(X_{IN})} - 28$	←	$\frac{3 \times 10^9}{f(X_{IN})} - 28$	ns
$t_{d}(A-ALE)$	Address output delay time	$\frac{1 \times 10^9}{f(X_{IN})} - 35$	←	$\frac{2 \times 10^9}{f(X_{IN})} - 28$	ns
$t_{d}(E-ALE)$	ALE output delay time	$\frac{1 \times 10^9}{f(X_{IN})} - 20$	←	←	ns
$t_{w}(ALE)$	ALE pulse width	$\frac{1 \times 10^9}{f(X_{IN})} - 18$	←	$\frac{2 \times 10^9}{f(X_{IN})} - 18$	ns
$t_{d}(BHE-E)$	$\bar{BHE}$ output delay time	$\frac{1 \times 10^9}{f(X_{IN})} - 25$	←	$\frac{3 \times 10^9}{f(X_{IN})} - 25$	ns
$t_{d}(R/W-E)$	$R/\bar{W}$ output delay time	$\frac{1 \times 10^9}{f(X_{IN})} - 25$	←	$\frac{3 \times 10^9}{f(X_{IN})} - 25$	ns
$t_{h}(E-An)$	Address hold time	$\frac{1 \times 10^9}{f(X_{IN})} - 30$	←	←	ns
$t_{h}(ALE-A)$	Address hold time	—	—	$\frac{1 \times 10^9}{f(X_{IN})} - 15$	ns
$t_{h}(E-DQ)$	Data hold time	$\frac{1 \times 10^9}{f(X_{IN})} - 22$	←	←	ns
$t_{pzx}(E-DZ)$	Floating release delay time	$\frac{1 \times 10^9}{f(X_{IN})} - 22$	←	←	ns
$t_{d}(E-BHE)$	$\bar{BHE}$ hold time	$\frac{1 \times 10^9}{f(X_{IN})} - 30$	←	←	ns
$t_{d}(E-R/W)$	$R/\bar{W}$ hold time	$\frac{1 \times 10^9}{f(X_{IN})} - 30$	←	←	ns

\*:  $f(X_{IN}) \leq 12.5$  MHz when the clock source select bit = "1"

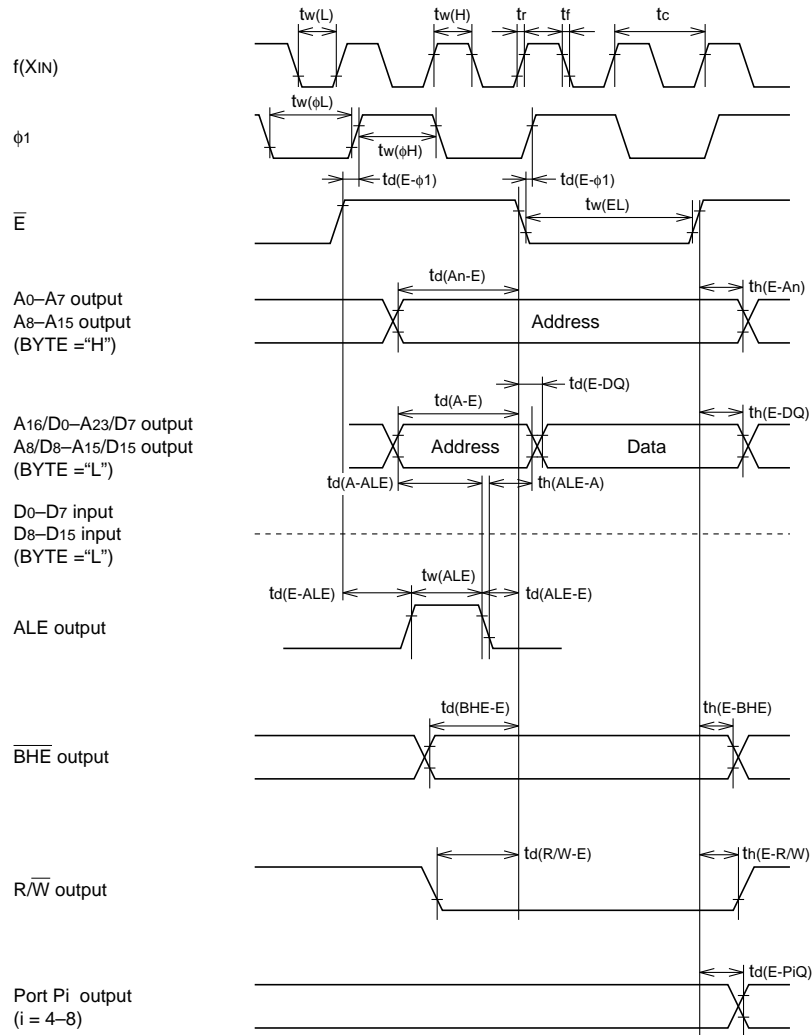
**Note:** When the clock source select bit is "1", regard  $f(X_{IN})$  in tables as  $2 \cdot f(X_{IN})$ .



**M37753M8C-XXXFP, M37753M8C-XXXHP  
 M37753S4CFP, M37753S4CHP**

SINGLE-CHIP 16-BIT CMOS MICROCOMPUTER

(when 2-φ access in low-speed running <Write>)



Test conditions (except Port Pi,  $f(XIN)$ )

- $V_{CC} = 5 V \pm 10 \%$
- Output timing voltage :  $V_{OL} = 0.8 V, V_{OH} = 2.0 V, C_L = 100 pF$
- Data input :  $V_{IL} = 0.8 V, V_{IH} = 2.5 V$

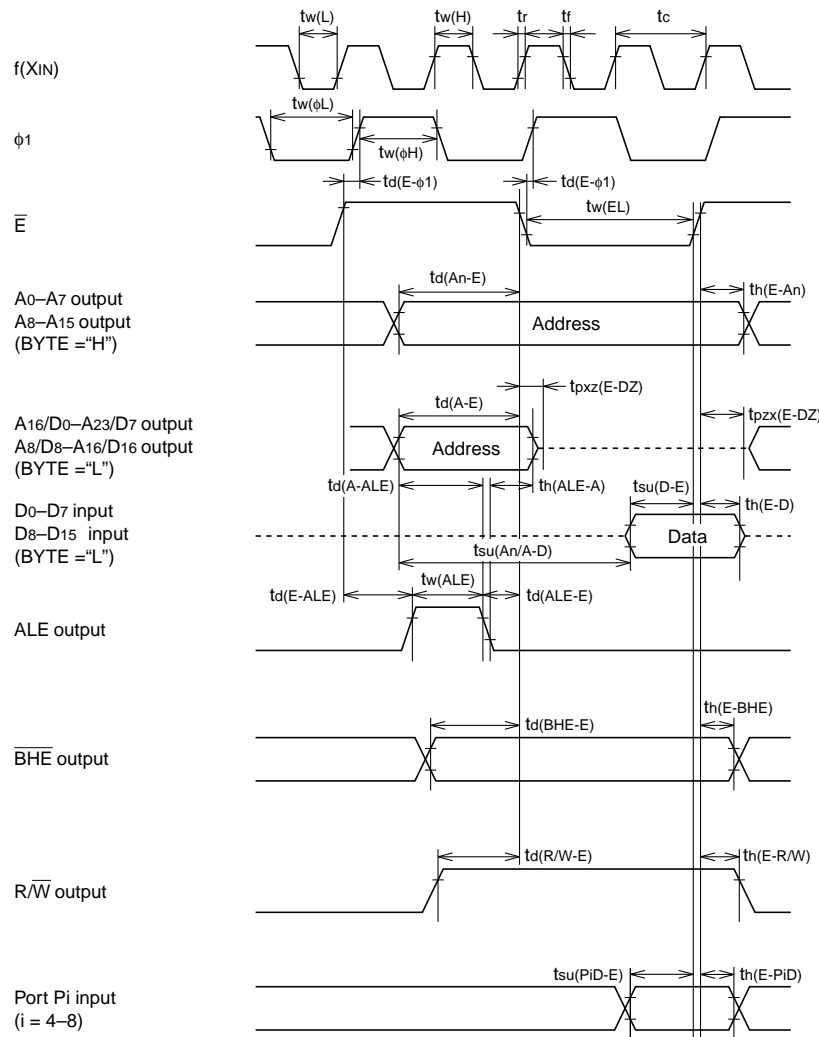
Test conditions (Port Pi,  $f(XIN)$ )

- $V_{CC} = 5 V \pm 10 \%$
- Input timing voltage :  $V_{IL} = 1.0 V, V_{IH} = 4.0 V$
- Output timing voltage :  $V_{OL} = 0.8 V, V_{OH} = 2.0 V, C_L = 100 pF$

**M37753M8C-XXXFP, M37753M8C-XXXHP**  
**M37753S4CFP, M37753S4CHP**

SINGLE-CHIP 16-BIT CMOS MICROCOMPUTER

(when 2-φ access in low-speed running <Read>)



Test conditions (except Port Pi,  $f(XIN)$ )

- $V_{CC} = 5 V \pm 10 \%$
- Output timing voltage :  $V_{OL} = 0.8 V$ ,  $V_{OH} = 2.0 V$ ,  $C_L = 100 pF$
- Data input :  $V_{IL} = 0.8 V$ ,  $V_{IH} = 2.5 V$

Test conditions (Port Pi,  $f(XIN)$ )

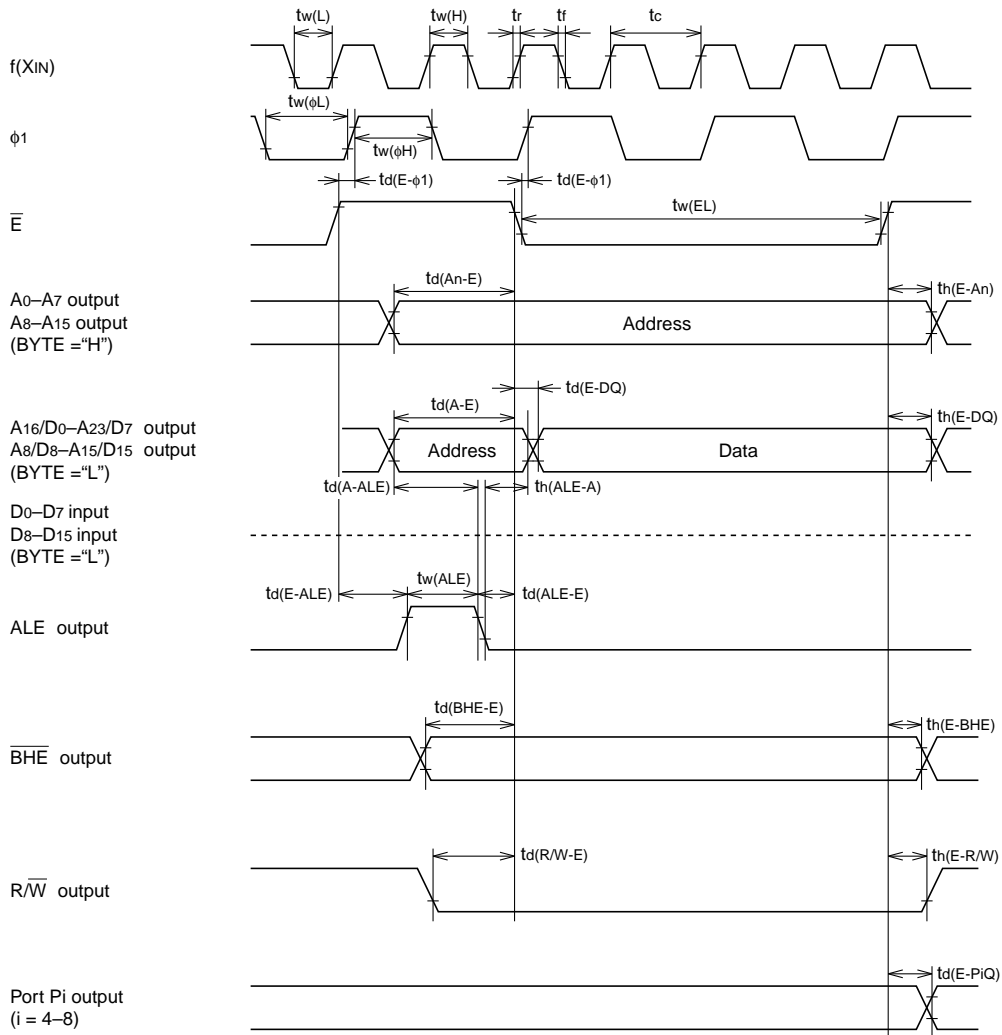
- $V_{CC} = 5 V \pm 10 \%$
- Input timing voltage :  $V_{IL} = 1.0 V$ ,  $V_{IH} = 4.0 V$
- Output timing voltage :  $V_{OL} = 0.8 V$ ,  $V_{OH} = 2.0 V$ ,  $C_L = 100 pF$

**PRELIMINARY**  
 Notice: This is not a final specification.  
 Some parametric limits are subject to change.

MITSUBISHI MICROCOMPUTERS  
**M37753M8C-XXXFP, M37753M8C-XXXHP**  
**M37753S4CFP, M37753S4CHP**

SINGLE-CHIP 16-BIT CMOS MICROCOMPUTER

(when 3- $\phi$  access in low-speed running <Write>)



Test conditions (except Port Pi,  $f(XIN)$ )

- $V_{CC} = 5 V \pm 10 \%$
- Output timing voltage :  $V_{OL} = 0.8 V$ ,  $V_{OH} = 2.0 V$ ,  $C_L = 100 pF$
- Data input :  $V_{IL} = 0.8 V$ ,  $V_{IH} = 2.5 V$

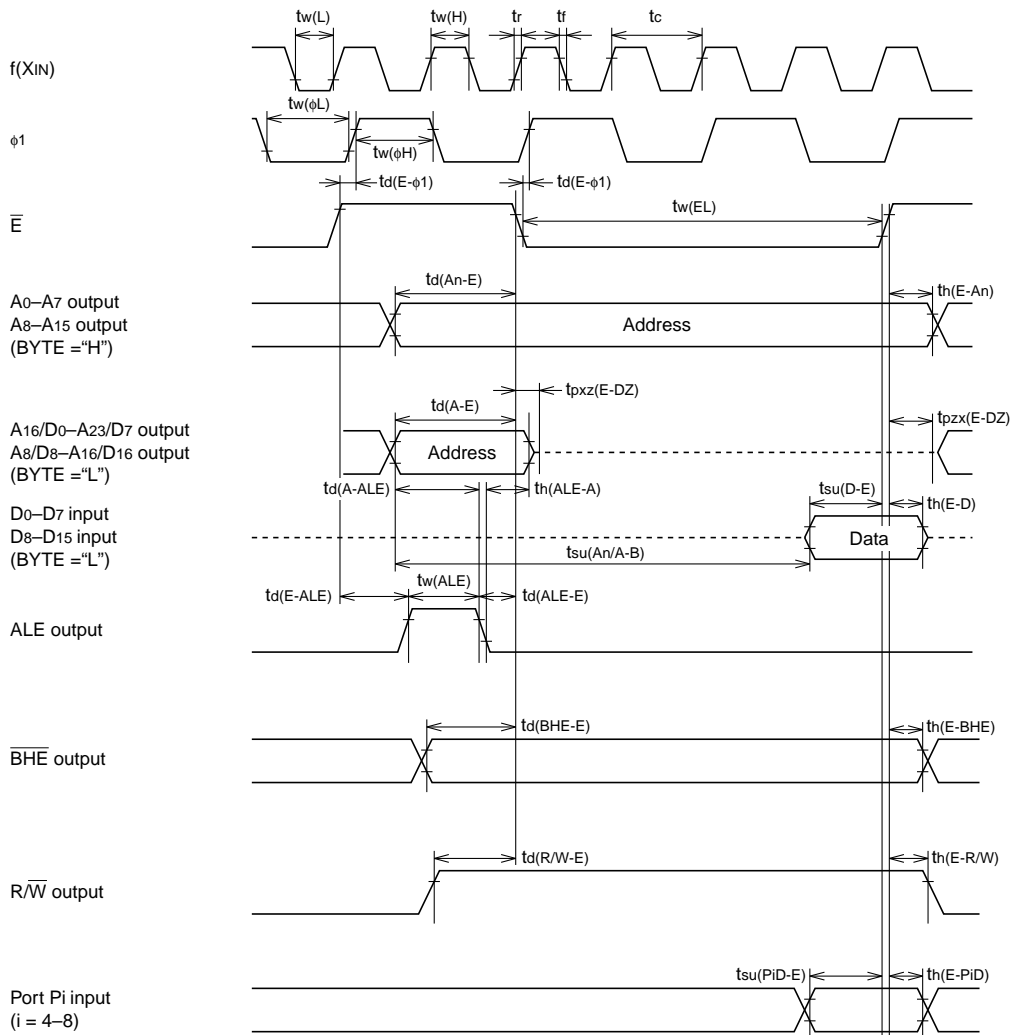
Test conditions (Port Pi,  $f(XIN)$ )

- $V_{CC} = 5 V \pm 10 \%$
- Input timing voltage :  $V_{IL} = 1.0 V$ ,  $V_{IH} = 4.0 V$
- Output timing voltage :  $V_{OL} = 0.8 V$ ,  $V_{OH} = 2.0 V$ ,  $C_L = 100 pF$

MITSUBISHI MICROCOMPUTERS  
**M37753M8C-XXXFP, M37753M8C-XXXHP**  
**M37753S4CFP, M37753S4CHP**

SINGLE-CHIP 16-BIT CMOS MICROCOMPUTER

(when 3- $\phi$  access in low-speed running <Read>)



Test conditions (except Port Pi, f(XIN))

- $V_{CC} = 5 V \pm 10 \%$
- Output timing voltage :  $V_{OL} = 0.8 V$ ,  $V_{OH} = 2.0 V$ ,  $C_L = 100 pF$
- Data input :  $V_{IL} = 0.8 V$ ,  $V_{IH} = 2.5 V$

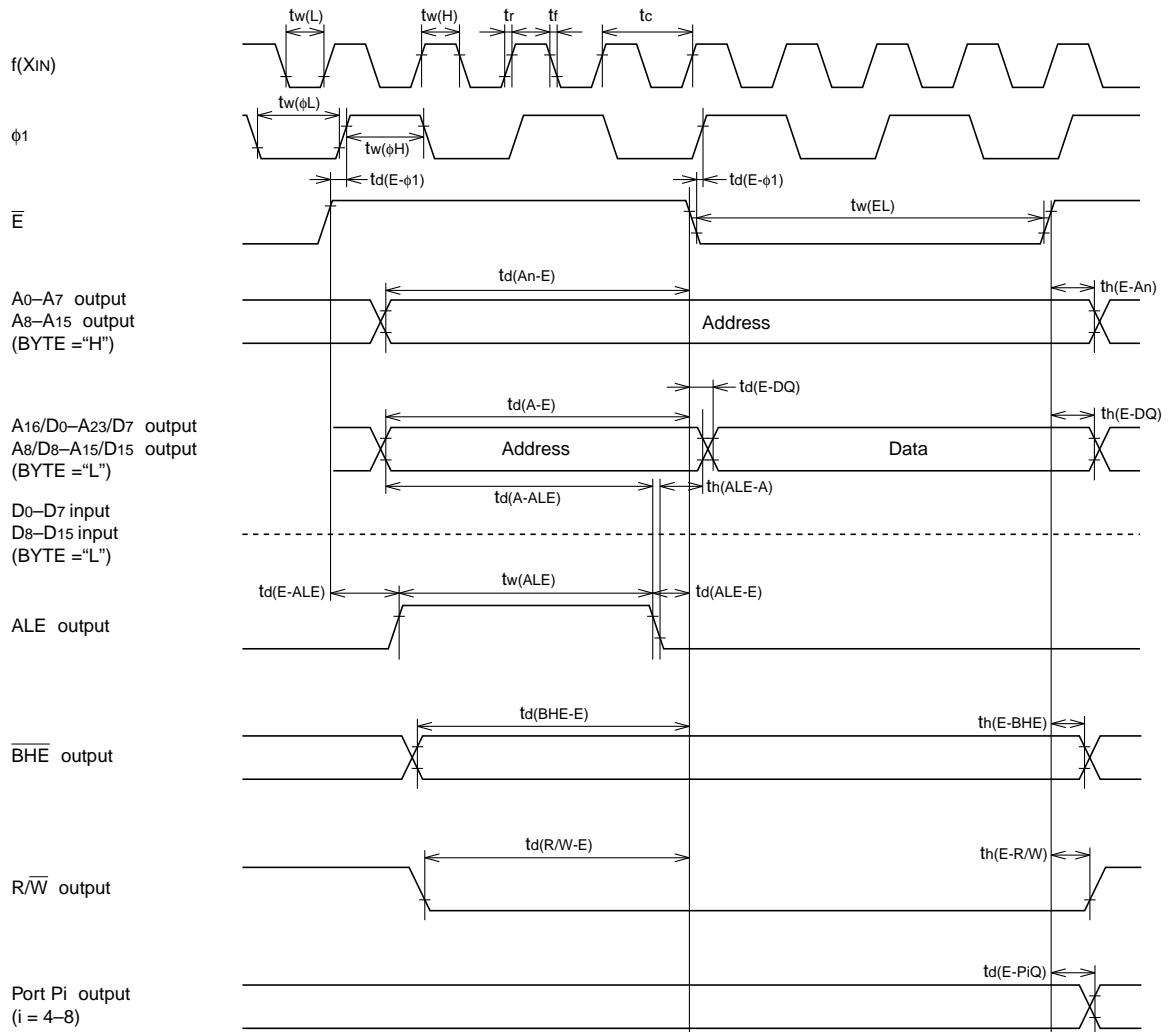
Test conditions (Port Pi, f(XIN))

- $V_{CC} = 5 V \pm 10 \%$
- Input timing voltage :  $V_{IL} = 1.0 V$ ,  $V_{IH} = 4.0 V$
- Output timing voltage :  $V_{OL} = 0.8 V$ ,  $V_{OH} = 2.0 V$ ,  $C_L = 100 pF$

**M37753M8C-XXXFP, M37753M8C-XXXHP  
 M37753S4CFP, M37753S4CHP**

SINGLE-CHIP 16-BIT CMOS MICROCOMPUTER

(when 4- $\phi$  access in low-speed running <Write>)



Test conditions (except Port Pi, f(XIN))

- VCC = 5 V $\pm$ 10 %
- Output timing voltage : VOL = 0.8 V, VOH = 2.0 V, CL = 100 pF
- Data input : VIL = 0.8 V, VIH = 2.5 V

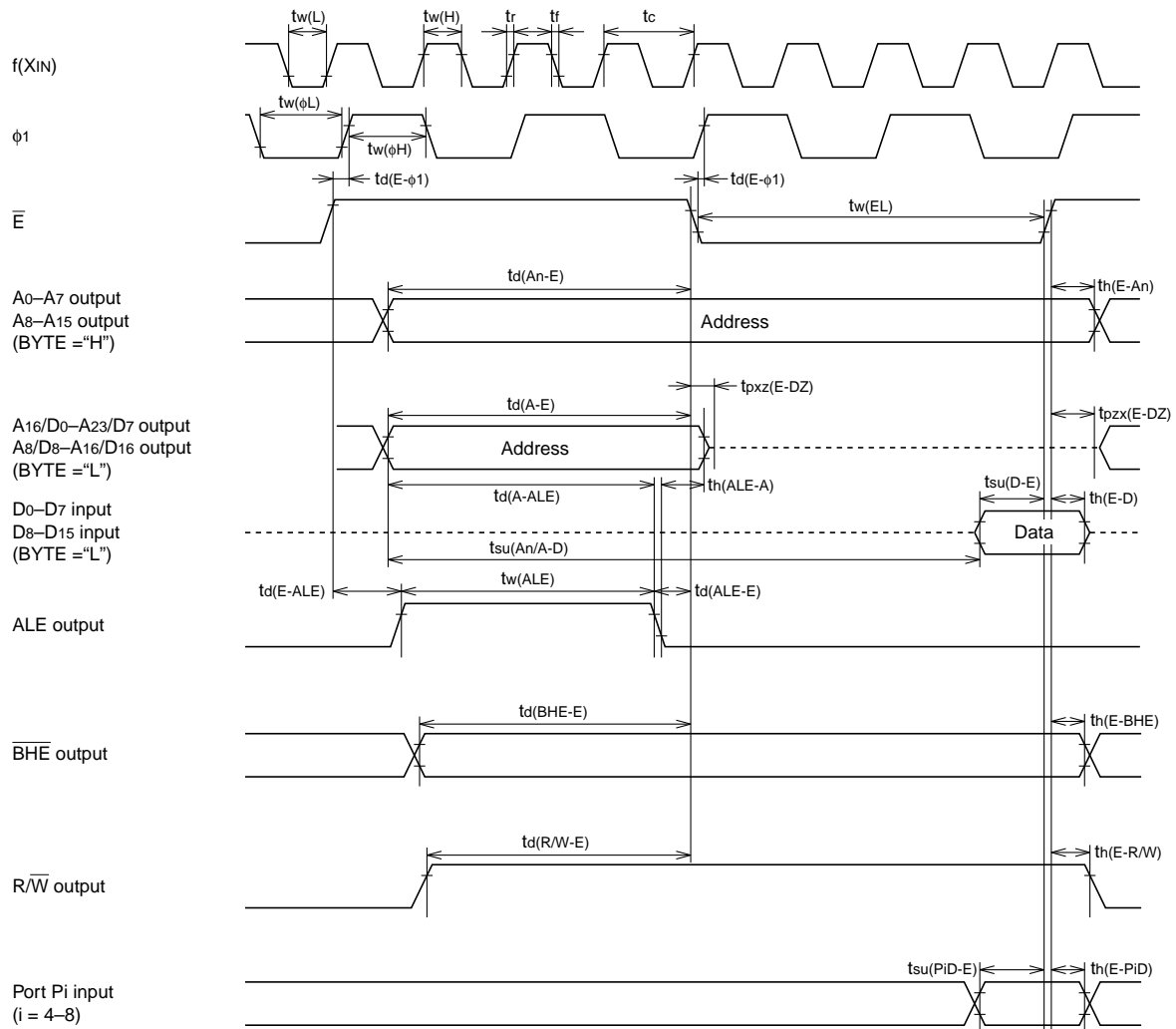
Test conditions (Port Pi, f(XIN))

- VCC = 5 V $\pm$ 10 %
- Input timing voltage : VIL = 1.0 V, VIH = 4.0 V
- Output timing voltage : VOL = 0.8 V, VOH = 2.0 V, CL = 100 pF

MITSUBISHI MICROCOMPUTERS  
**M37753M8C-XXXFP, M37753M8C-XXXHP**  
**M37753S4CFP, M37753S4CHP**

SINGLE-CHIP 16-BIT CMOS MICROCOMPUTER

(when 4- $\phi$  access in low-speed running <Read>)



Test conditions (except Port Pi,  $f(XIN)$ )

- $V_{CC} = 5 V \pm 10 \%$
- Output timing voltage :  $V_{OL} = 0.8 V$ ,  $V_{OH} = 2.0 V$ ,  $C_L = 100 pF$
- Data input :  $V_{iL} = 0.8 V$ ,  $V_{iH} = 2.5 V$

Test conditions (Port Pi,  $f(XIN)$ )

- $V_{CC} = 5 V \pm 10 \%$
- Input timing voltage :  $V_{iL} = 1.0 V$ ,  $V_{iH} = 4.0 V$
- Output timing voltage :  $V_{OL} = 0.8 V$ ,  $V_{OH} = 2.0 V$ ,  $C_L = 100 pF$

**PRELIMINARY**  
 Notice: This is not a final specification.  
 Some parametric limits are subject to change.

**M37753M8C-XXXFP, M37753M8C-XXXHP  
 M37753S4CFP, M37753S4CHP**

SINGLE-CHIP 16-BIT CMOS MICROCOMPUTER

**Timing requirements** ( $V_{CC} = 5 V \pm 10\%$ ,  $V_{SS} = 0 V$ ,  $T_a = -20$  to  $85\text{ }^\circ\text{C}$ ,  $f(X_{IN})=40\text{ MHz}$  when the clock source select bit = "0"<sup>\*</sup>, unless otherwise noted)

\* The rise and fall time of input signal must be 100 ns or less respectively, unless otherwise noted.

**Memory expansion and Microprocessor mode : High-speed running**

Symbol	Parameter	Limits		Unit
		Min.	Max.	
$t_c$	External clock input cycle time ( <b>Note 1</b> )	25		ns
$t_{w(H)}$	External clock input high-level pulse width ( <b>Note 2</b> )	$t_c/2 - 8$		ns
$t_{w(L)}$	External clock input low-level pulse width ( <b>Note 2</b> )	$t_c/2 - 8$		ns
$t_r$	External clock rise time		8	ns
$t_f$	External clock fall time		8	ns
$t_{su(D-E)}$	Input setup time	30		ns
$t_{su(PiD-E)}$	Port Pi input setup time ( $i = 4-8$ )	60		ns
$t_{h(E-D)}$	Data input hold time	0		ns
$t_{h(E-PiD)}$	Port Pi input hold time ( $i = 4-8$ )	0		ns
$t_{su(A_n/A-D)}$	Data setup time with address stabilized ( <b>Note 3</b> )		50 (3- $\phi$ access)	ns
			100 (4- $\phi$ access)	
			150 (5- $\phi$ access)	

\*:  $f(X_{IN}) = 20\text{ MHz}$  when the clock source select bit = "1"

**Notes 1:** When the clock source select bit = "1",  $t_c$ 's minimum limit is 50 ns.

**2:** When the clock source select bit = "1", set  $t_{w(H)}/t_c$  and  $t_{w(L)}/t_c$  ratios to 45 to 55 %.

**3:** Since the values depend on external clock input frequency  $f(X_{IN})$ , calculate them using the bus timing data formula on the page after the next page.

**M37753M8C-XXXFP, M37753M8C-XXXHP**  
**M37753S4CFP, M37753S4CHP**

SINGLE-CHIP 16-BIT CMOS MICROCOMPUTER

**PRELIMINARY**  
 Notice: This is not a final specification.  
 Some parametric limits are subject to change.

**Switching characteristics** ( $V_{CC} = 5 V \pm 10\%$ ,  $V_{SS} = 0 V$ ,  $T_a = -20$  to  $85\text{ }^\circ\text{C}$ ,  $f(XIN) = 40\text{ MHz}$  when the clock source select bit = "0"<sup>\*</sup>, unless otherwise noted)

**Memory expansion and Microprocessor mode : High-speed running**

Symbol	Parameter	3- $\phi$ access		4- $\phi$ access		5- $\phi$ access		Unit
		Min.	Max.	Min.	Max.	Min.	Max.	
$t_w(\phi H), t_w(\phi L)$	$\phi$ high-level pulse width, $\phi$ low-level pulse width (Note)	5		5		5		ns
$t_d(E-\phi 1)$	$\phi 1$ output delay time	-12	7	-12	7	-12	7	ns
$t_w(EL)$	$\bar{E}$ low-level pulse width (Note)	50		75		125		ns
$t_d(A_n-E)$	Address output delay time (Note)	15		40		40		ns
$t_d(E-DQ)$	Data output delay time		35		35		35	ns
$t_{pxz}(E-DZ)$	Floating start delay time		5		5		5	ns
$t_d(A-E)$	Address output delay time (Note)	15		40		40		ns
$t_d(A-ALE)$	Address output delay time (Note)	5		30		30		ns
$t_d(E-ALE)$	ALE output delay time (Note)	10		10		10		ns
$t_d(ALE-E)$	ALE output delay time (Note)	4		4		4		ns
$t_w(ALE)$	ALE pulse width (Note)	10		35		35		ns
$t_d(BHE-E)$	$\bar{BHE}$ output delay time (Note)	20		45		45		ns
$t_d(R/W-E)$	$R/\bar{W}$ output delay time (Note)	20		45		45		ns
$t_h(E-A_n)$	Address hold time (Note)	10		10		10		ns
$t_h(ALE-A)$	Address hold time (Note)	10		10		10		ns
$t_h(E-DQ)$	Data hold time (Note)	15		15		15		ns
$t_{PZX}(E-DZ)$	Floating release delay time (Note)	15		15		15		ns
$t_h(E-BHE)$	$\bar{BHE}$ hold time (Note)	10		10		10		ns
$t_h(E-R/W)$	$R/\bar{W}$ hold time (Note)	10		10		10		ns
$t_d(E-PiQ)$	Port Pi data output delay time ( $i = 4-8$ )		60		60		60	ns

\*:  $f(XIN) = 20\text{ MHz}$  when the clock source select bit = "1"

**Note:** Since the values depend on external clock frequency  $f(XIN)$ , calculate them by using the bus timing data formulas on the next page.



**PRELIMINARY**  
 Notice: This is not a final specification.  
 Some parametric limits are subject to change.

# M37753M8C-XXXFP, M37753M8C-XXXHP M37753S4CFP, M37753S4CHP

SINGLE-CHIP 16-BIT CMOS MICROCOMPUTER

## Bus timing data formulas

**Memory expansion and Microprocessor mode : High-speed running** ( $V_{CC} = 5 V \pm 10\%$ ,  $V_{SS} = 0 V$ ,  $T_a = -20$  to  $85^\circ C$ ,  $f(X_{IN}) \leq 40$  MHz when the clock source select bit = "0"\*, unless otherwise noted)

Symbol	Parameter	3- $\phi$ access	4- $\phi$ access	5- $\phi$ access	Unit
$t_{su}(A_n/A-D)$	Data setup time with address stabilized	$\frac{5 \times 10^9}{f(X_{IN})} - 75$	$\frac{7 \times 10^9}{f(X_{IN})} - 75$	$\frac{9 \times 10^9}{f(X_{IN})} - 75$	ns
$t_w(\phi H), t_w(\phi L)$	$\phi$ high-level pulse width, $\phi$ low-level pulse width	$\frac{1 \times 10^9}{f(X_{IN})} - 20$	←	←	ns
$t_w(EL)$	$\bar{E}$ low-level pulse width	$\frac{3 \times 10^9}{f(X_{IN})} - 25$	$\frac{4 \times 10^9}{f(X_{IN})} - 25$	$\frac{6 \times 10^9}{f(X_{IN})} - 25$	ns
$t_d(A_n-E)$	Address output delay time	$\frac{2 \times 10^9}{f(X_{IN})} - 35$	$\frac{3 \times 10^9}{f(X_{IN})} - 35$	←	ns
$t_d(A-E)$	Address output delay time	$\frac{2 \times 10^9}{f(X_{IN})} - 35$	$\frac{3 \times 10^9}{f(X_{IN})} - 35$	←	ns
$t_d(A-ALE)$	Address output delay time	$\frac{1 \times 10^9}{f(X_{IN})} - 20$	$\frac{2 \times 10^9}{f(X_{IN})} - 20$	←	ns
$t_d(E-ALE)$	ALE output delay time	$\frac{1 \times 10^9}{f(X_{IN})} - 15$	←	←	ns
$t_w(ALE)$	ALE pulse width	$\frac{1 \times 10^9}{f(X_{IN})} - 15$	$\frac{2 \times 10^9}{f(X_{IN})} - 15$	←	ns
$t_d(BHE-E)$	$\bar{BHE}$ output delay time	$\frac{2 \times 10^9}{f(X_{IN})} - 30$	$\frac{3 \times 10^9}{f(X_{IN})} - 30$	←	ns
$t_d(R/\bar{W}-E)$	$R/\bar{W}$ output delay time	$\frac{2 \times 10^9}{f(X_{IN})} - 30$	$\frac{3 \times 10^9}{f(X_{IN})} - 30$	←	ns
$t_h(E-A_n)$	Address hold time	$\frac{1 \times 10^9}{f(X_{IN})} - 15$	←	←	ns
$t_h(ALE-A)$	Address hold time	$\frac{1 \times 10^9}{f(X_{IN})} - 15$	←	←	ns
$t_h(E-DQ)$	Data hold time	$\frac{1 \times 10^9}{f(X_{IN})} - 10$	←	←	ns
$t_{pzx}(E-DZ)$	Floating release delay time	$\frac{1 \times 10^9}{f(X_{IN})} - 10$	←	←	ns
$t_d(E-BHE)$	$\bar{BHE}$ hold time	$\frac{1 \times 10^9}{f(X_{IN})} - 15$	←	←	ns
$t_d(E-R/\bar{W})$	$R/\bar{W}$ hold time	$\frac{1 \times 10^9}{f(X_{IN})} - 15$	←	←	ns

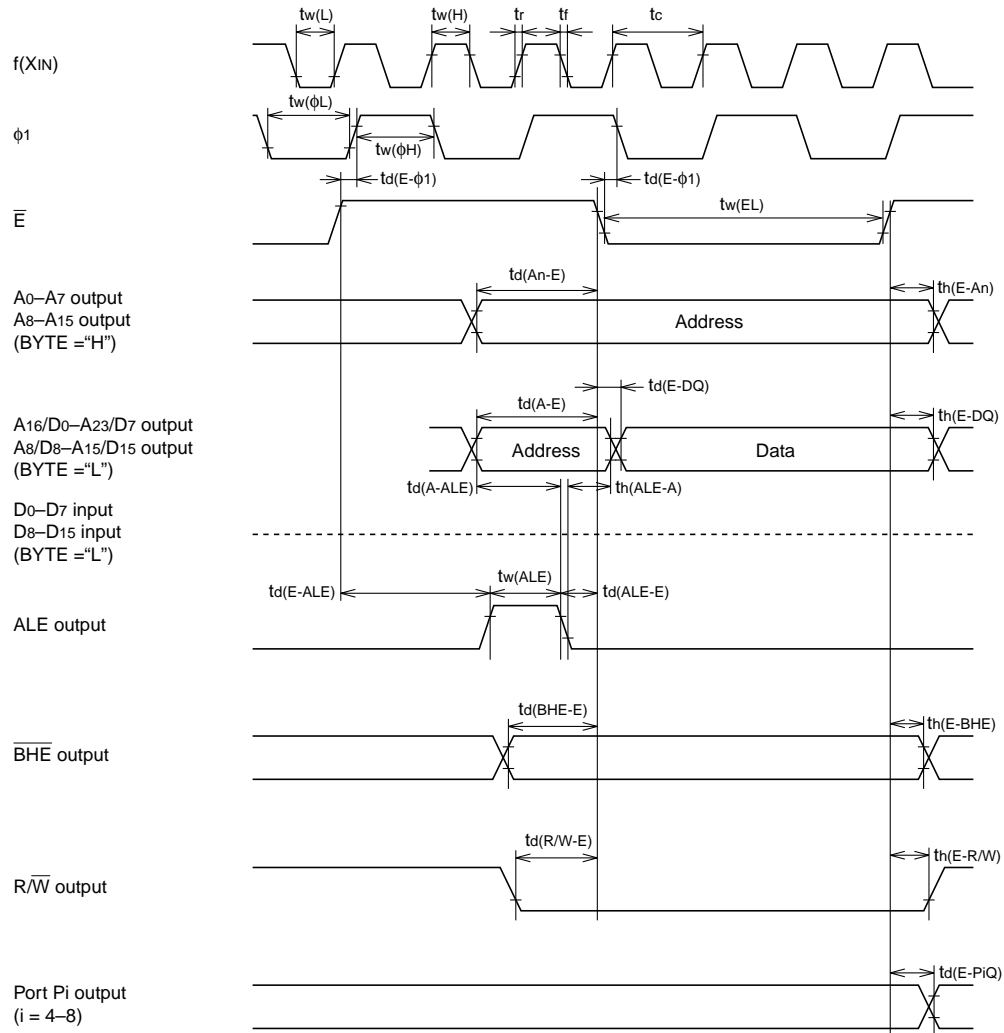
\*:  $f(X_{IN}) \leq 20$  MHz when the clock source select bit = "1"

**Note:** When the clock source select bit is "1", regard  $f(X_{IN})$  in tables as  $2 \cdot f(X_{IN})$ .

**MITSUBISHI MICROCOMPUTERS**  
**M37753M8C-XXXFP, M37753M8C-XXXHP**  
**M37753S4CFP, M37753S4CHP**

SINGLE-CHIP 16-BIT CMOS MICROCOMPUTER

(when 3- $\phi$  access in high-speed running <Write>)



Test conditions (except Port Pi, f(XIN))

- $V_{CC} = 5 V \pm 10 \%$
- Output timing voltage :  $V_{OL} = 0.8 V, V_{OH} = 2.0 V, C_L = 100 pF$
- Data input :  $V_{IL} = 0.8 V, V_{IH} = 2.5 V$

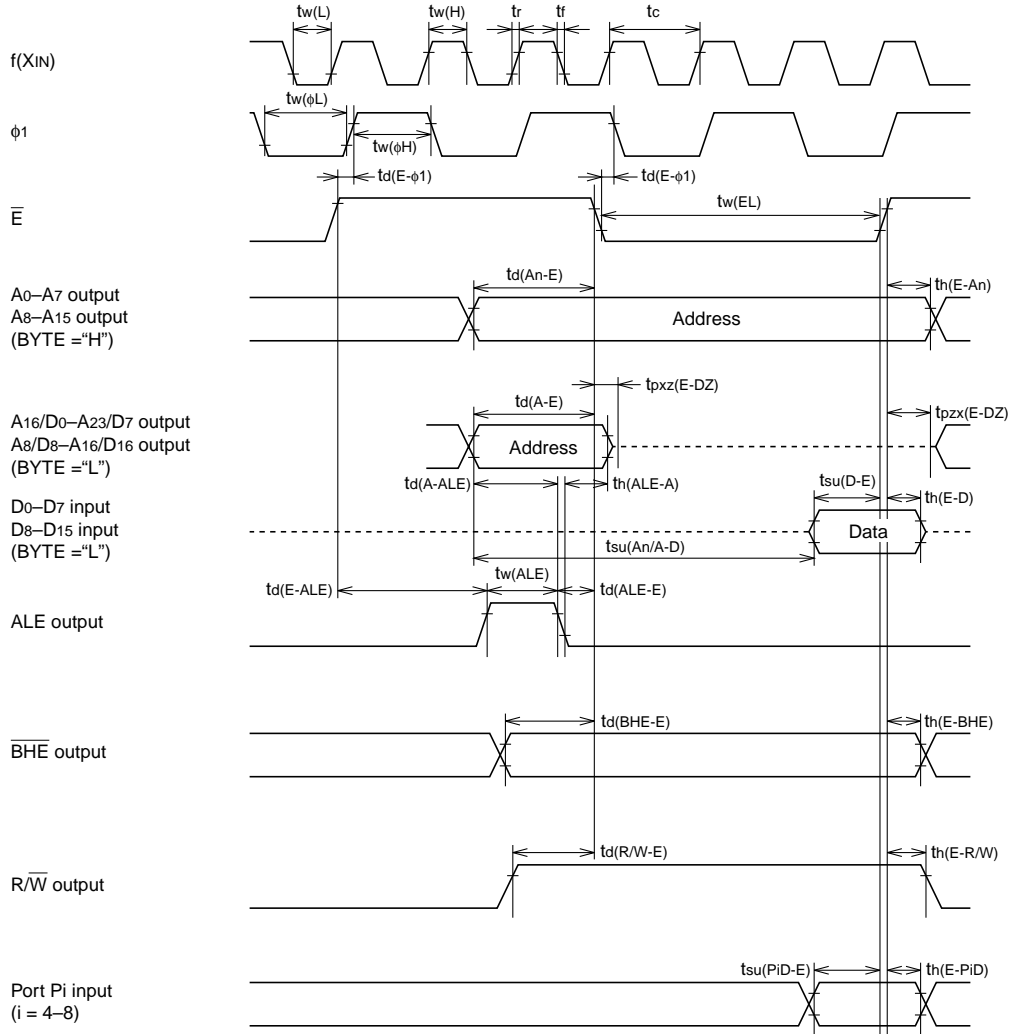
Test conditions (Port Pi, f(XIN))

- $V_{CC} = 5 V \pm 10 \%$
- Input timing voltage :  $V_{IL} = 1.0 V, V_{IH} = 4.0 V$
- Output timing voltage :  $V_{OL} = 0.8 V, V_{OH} = 2.0 V, C_L = 100 pF$

MITSUBISHI MICROCOMPUTERS  
**M37753M8C-XXXFP, M37753M8C-XXXHP**  
**M37753S4CFP, M37753S4CHP**

SINGLE-CHIP 16-BIT CMOS MICROCOMPUTER

(when 3- $\phi$  access in high-speed running <Read>)



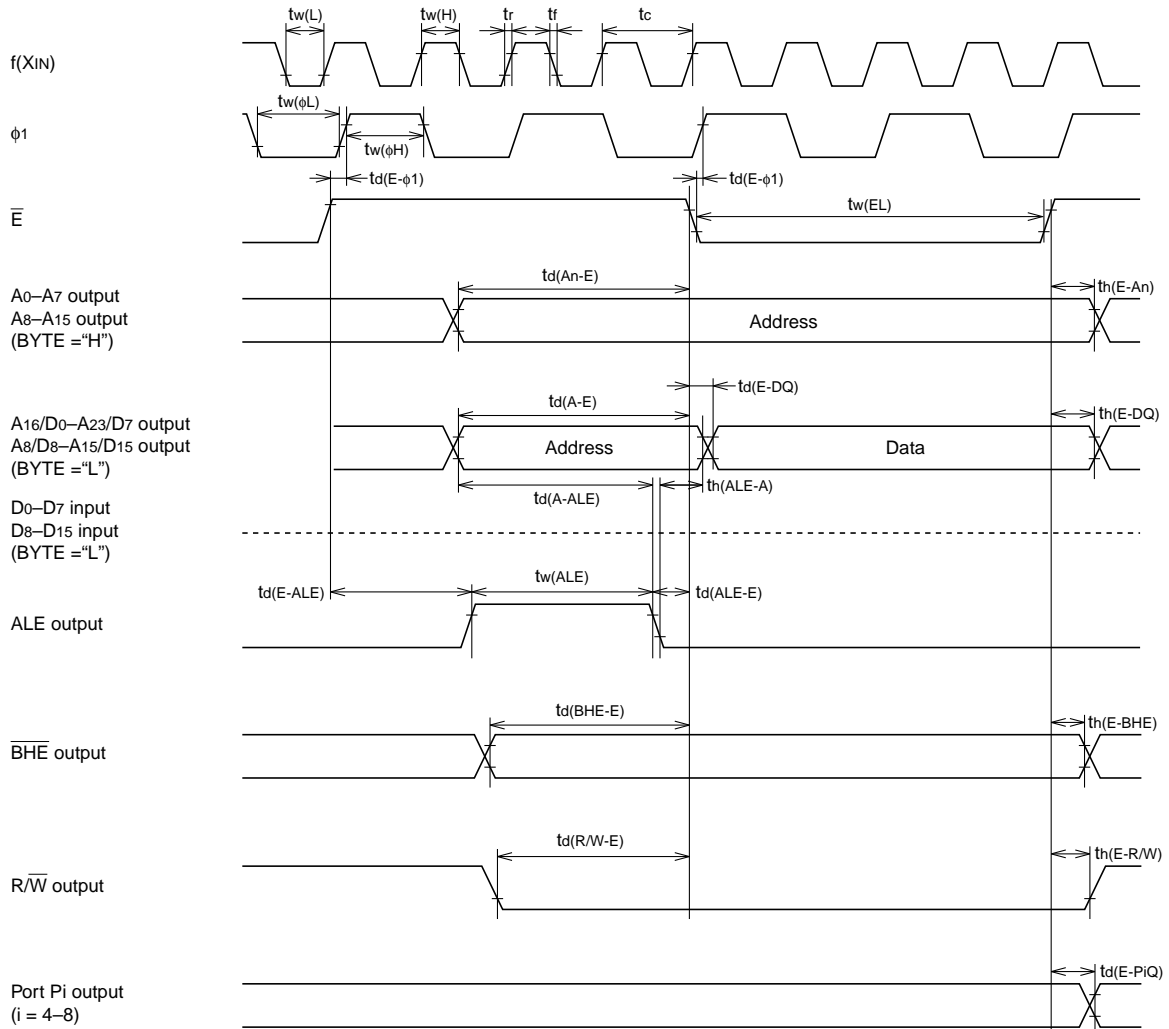
Test conditions (except Port Pi,  $f(XIN)$ )

- $V_{CC} = 5 V \pm 10\%$
- Output timing voltage :  $V_{OL} = 0.8 V$ ,  $V_{OH} = 2.0 V$ ,  $C_L = 100 pF$
- Data input :  $V_{IL} = 0.8 V$ ,  $V_{IH} = 2.5 V$

Test conditions (Port Pi,  $f(XIN)$ )

- $V_{CC} = 5 V \pm 10\%$
- Input timing voltage :  $V_{IL} = 1.0 V$ ,  $V_{IH} = 4.0 V$
- Output timing voltage :  $V_{OL} = 0.8 V$ ,  $V_{OH} = 2.0 V$ ,  $C_L = 100 pF$

(when 4- $\phi$  access in high-speed running <Write>)



Test conditions (except Port  $P_i$ ,  $f(XIN)$ )

- $V_{CC} = 5 V \pm 10 \%$
- Output timing voltage :  $V_{OL} = 0.8 V$ ,  $V_{OH} = 2.0 V$ ,  $C_L = 100 pF$
- Data input :  $V_{IL} = 0.8 V$ ,  $V_{IH} = 2.5 V$

Test conditions (Port  $P_i$ ,  $f(XIN)$ )

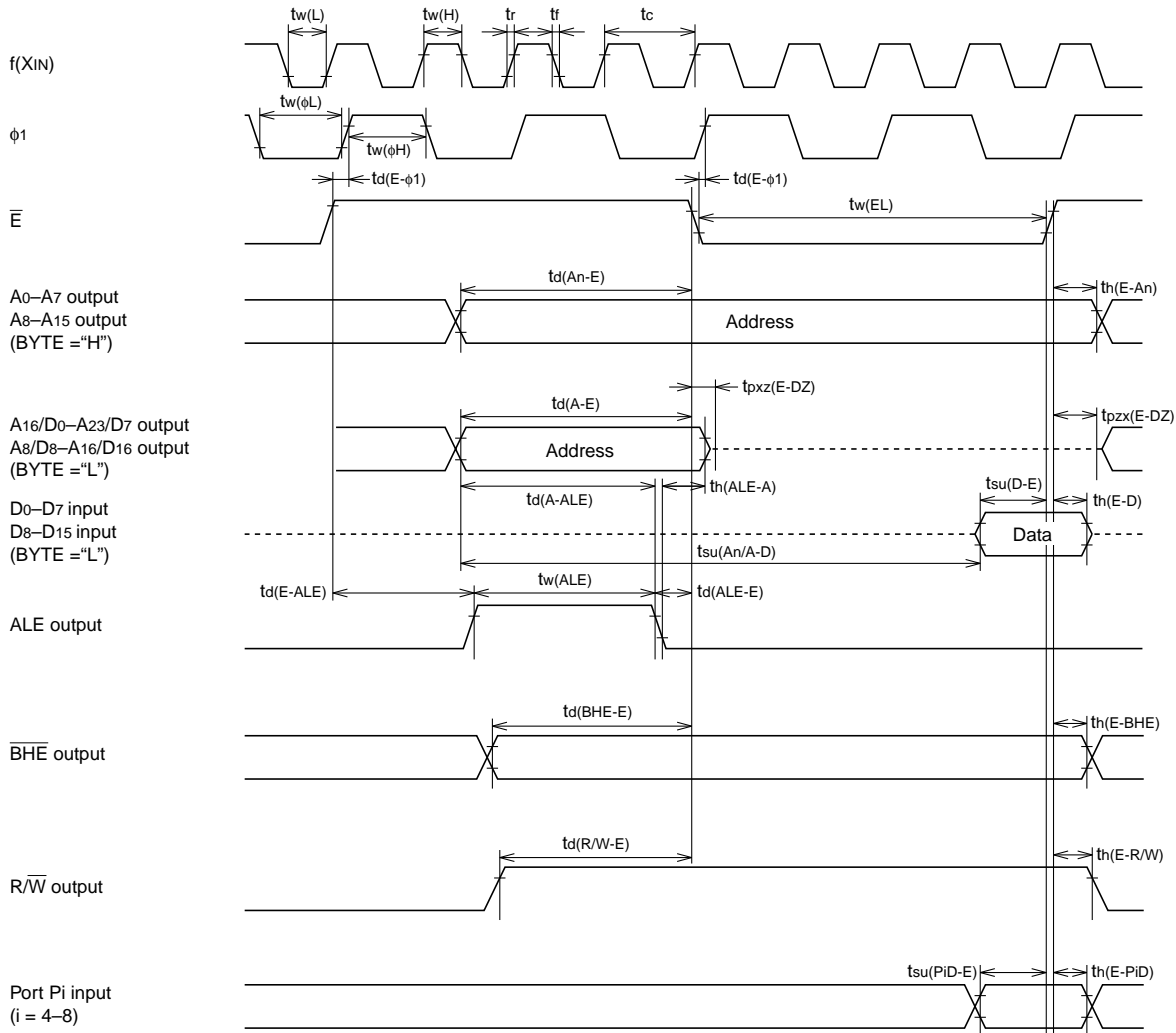
- $V_{CC} = 5 V \pm 10 \%$
- Input timing voltage :  $V_{IL} = 1.0 V$ ,  $V_{IH} = 4.0 V$
- Output timing voltage :  $V_{OL} = 0.8 V$ ,  $V_{OH} = 2.0 V$ ,  $C_L = 100 pF$

**PRELIMINARY**  
 Notice: This is not a final specification.  
 Some parametric limits are subject to change.

MITSUBISHI MICROCOMPUTERS  
**M37753M8C-XXXFP, M37753M8C-XXXHP**  
**M37753S4CFP, M37753S4CHP**

SINGLE-CHIP 16-BIT CMOS MICROCOMPUTER

(when 4- $\phi$  access in high-speed running <Read>)



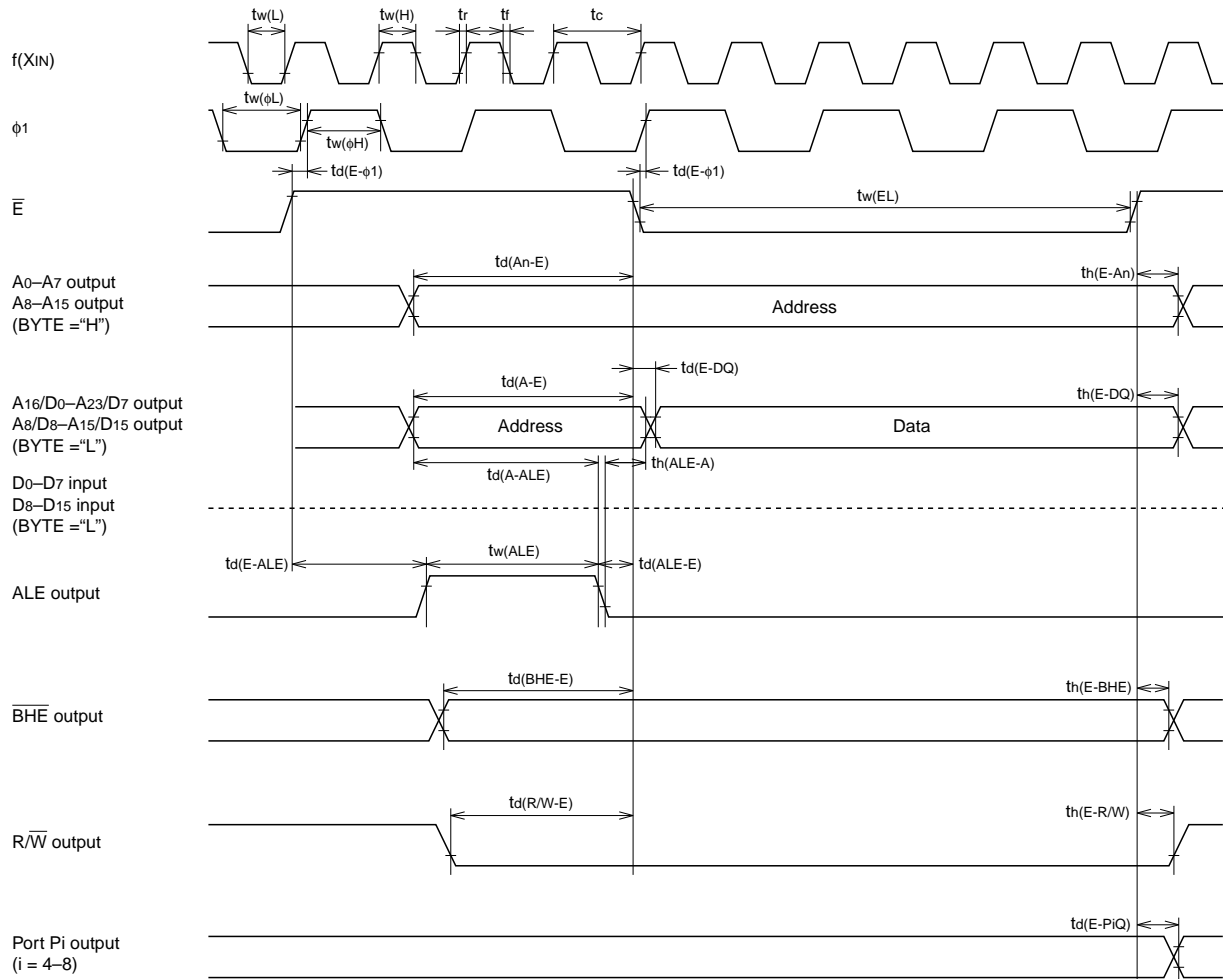
Test conditions (except Port Pi, f(XIN))

- $V_{CC} = 5V \pm 10\%$
- Output timing voltage :  $V_{OL} = 0.8V$ ,  $V_{OH} = 2.0V$ ,  $C_L = 100pF$
- Data input :  $V_{IL} = 0.8V$ ,  $V_{IH} = 2.5V$

Test conditions (Port Pi, f(XIN))

- $V_{CC} = 5V \pm 10\%$
- Input timing voltage :  $V_{IL} = 1.0V$ ,  $V_{IH} = 4.0V$
- Output timing voltage :  $V_{OL} = 0.8V$ ,  $V_{OH} = 2.0V$ ,  $C_L = 100pF$

(when 5- $\phi$  access in high-speed running <Write>)



Test conditions (except Port Pi,  $f(XIN)$ )

- $V_{CC} = 5 V \pm 10 \%$
- Output timing voltage :  $V_{OL} = 0.8 V$ ,  $V_{OH} = 2.0 V$ ,  $C_L = 100 pF$
- Data input :  $V_{IL} = 0.8 V$ ,  $V_{IH} = 2.5 V$

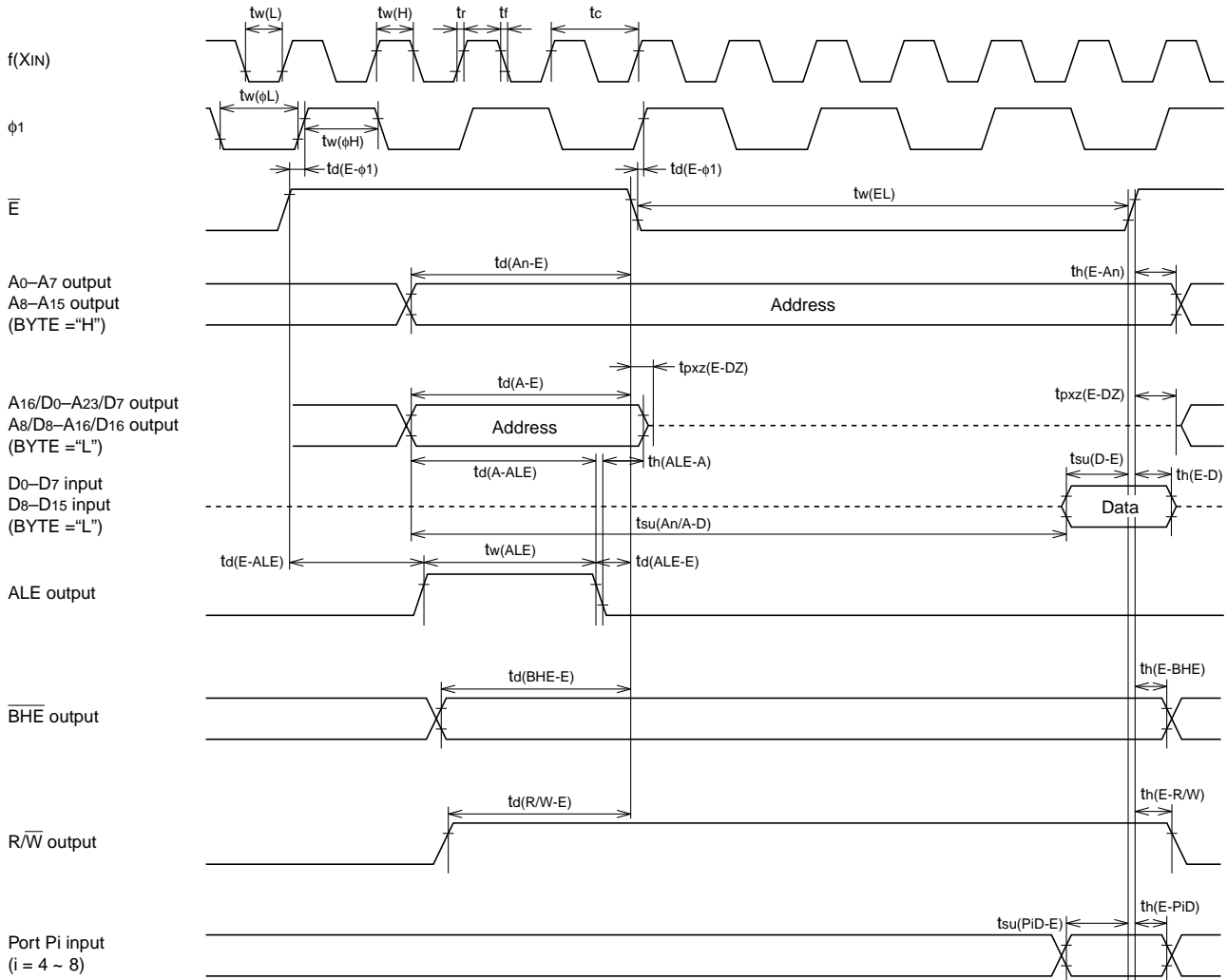
Test conditions (Port Pi,  $f(XIN)$ )

- $V_{CC} = 5 V \pm 10 \%$
- Input timing voltage :  $V_{IL} = 1.0 V$ ,  $V_{IH} = 4.0 V$
- Output timing voltage :  $V_{OL} = 0.8 V$ ,  $V_{OH} = 2.0 V$ ,  $C_L = 100 pF$

**M37753M8C-XXXFP, M37753M8C-XXXHP**  
**M37753S4CFP, M37753S4CHP**

SINGLE-CHIP 16-BIT CMOS MICROCOMPUTER

(when 5-φ access in high-speed running <Read>)



Test conditions (except Port Pi, f(XIN))

- VCC = 5 V ± 10 %
- Output timing voltage : VOL = 0.8 V, VOH = 2.0 V, CL = 100 pF
- Data input : VIL = 0.8 V, VIH = 2.5 V

Test conditions (Port Pi, f(XIN))

- VCC = 5 V ± 10 %
- Input timing voltage : VIL = 1.0 V, VIH = 4.0 V
- Output timing voltage : VOL = 0.8 V, VOH = 2.0 V, CL = 100 pF

**M37753M8C-XXXFP, M37753M8C-XXXHP**  
**M37753S4CFP, M37753S4CHP**

SINGLE-CHIP 16-BIT CMOS MICROCOMPUTER

**PRELIMINARY**  
 Notice: This is not a final specification.  
 Some parametric limits are subject to change.

**<NOTE> External bus timing when internal memory area is accessed (2-φ access) in high-speed running**

(VCC = 5 V±10 %, VSS = 0 V, Ta = -20 to 85 °C, f(XIN) ≤ 40 MHz when the clock source select bit = "0"\*)

Symbol	Parameter	Limits		Bus timing data formula	Unit
		Min.	Max.		
tw(φH), tw(φL)	φ high-level pulse width, φ low-level pulse width	5		$\frac{1 \times 10^9}{f(XIN)} - 20$	ns
td(E-φ1)	φ1 output delay time	-12	7	————	ns
tw(EL)	$\bar{E}$ low-level pulse width	5		$\frac{1 \times 10^9}{f(XIN)} - 20$	ns
td(An-E)	Address output delay time	15		$\frac{2 \times 10^9}{f(XIN)} - 35$	ns
tpxz(E-DZ)	Floating start delay time (BYTE="L")		5	————	ns
td(A-E)	Address output delay time	15		$\frac{2 \times 10^9}{f(XIN)} - 35$	ns
td(A-ALE)	Address output delay time	5		$\frac{1 \times 10^9}{f(XIN)} - 20$	ns
td(E-ALE)	ALE output delay time	10		$\frac{1 \times 10^9}{f(XIN)} - 15$	ns
td(ALE-E)	ALE output delay time	4		————	ns
tw(ALE)	ALE pulse width	10		$\frac{1 \times 10^9}{f(XIN)} - 15$	ns
td(BHE-E)	$\bar{BHE}$ output delay time	20		$\frac{2 \times 10^9}{f(XIN)} - 30$	ns
td(R/W-E)	$\bar{R/W}$ output delay time	20		$\frac{2 \times 10^9}{f(XIN)} - 30$	ns
th(E-An)	Address hold time	10		$\frac{1 \times 10^9}{f(XIN)} - 15$	ns
th(ALE-A)	Address hold time (BYTE="L")	10		$\frac{1 \times 10^9}{f(XIN)} - 15$	ns
tpzx(E-DZ)	Floating release delay time (BYTE="L")	15		$\frac{1 \times 10^9}{f(XIN)} - 10$	ns
td(E-BHE)	$\bar{BHE}$ hold time	10		$\frac{1 \times 10^9}{f(XIN)} - 15$	ns
td(E-R/W)	$\bar{R/W}$ hold time	10		$\frac{1 \times 10^9}{f(XIN)} - 15$	ns

\*: f(XIN) ≤ 20 MHz when the clock source select bit = "1".



**PRELIMINARY**  
 Notice: This is not a final specification.  
 Some parametric limits are subject to change.

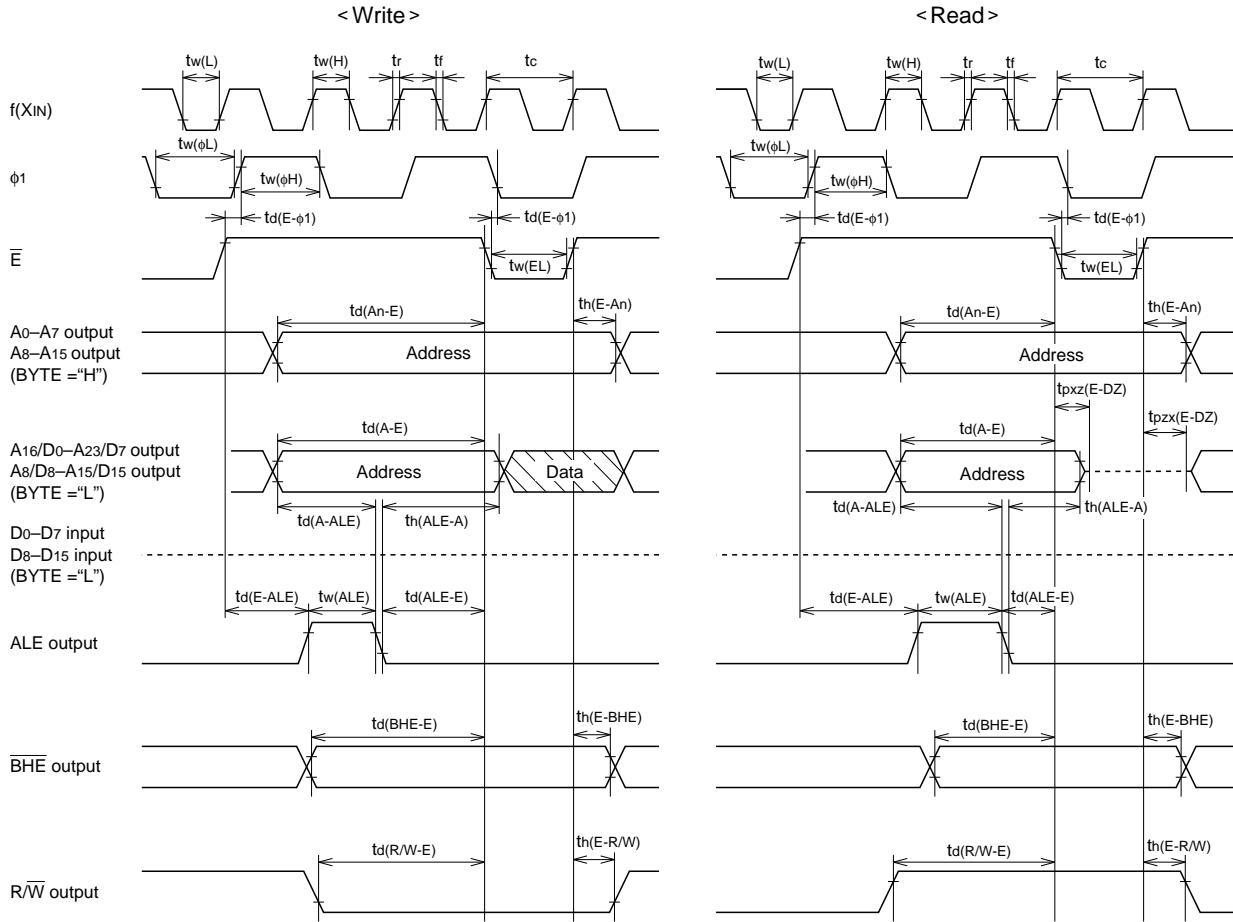
# MITSUBISHI MICROCOMPUTERS

## M37753M8C-XXXFP, M37753M8C-XXXHP

## M37753S4CFP, M37753S4CHP

SINGLE-CHIP 16-BIT CMOS MICROCOMPUTER

(External bus timing on internal RAM access (2-φ access) in high-speed running)



\* The value of write data is undefined.

\* Contents of external data bus cannot be read into the internal.

**Test conditions**

- VCC = 5 V±10 %
- Output timing voltage : VOL = 0.8 V, VOH = 2.0 V, CL = 100 pF

**7700 FAMILY MASK ROM ORDER CONFIRMATION FORM  
SINGLE-CHIP 16-BIT MICROCOMPUTER  
M37753M8C-XXXFP  
M37753M8C-XXXHP  
MITSUBISHI ELECTRIC**

Mask ROM number	
-----------------	--

Receipt	Date:	
	Section head signature	Supervisor signature

Note : Please fill in all items marked ※

※	Customer	Company name	TEL ( )	Issuance signatures	Responsible officer	Supervisor
		Date issued	Date:			

※ 1. Confirmation

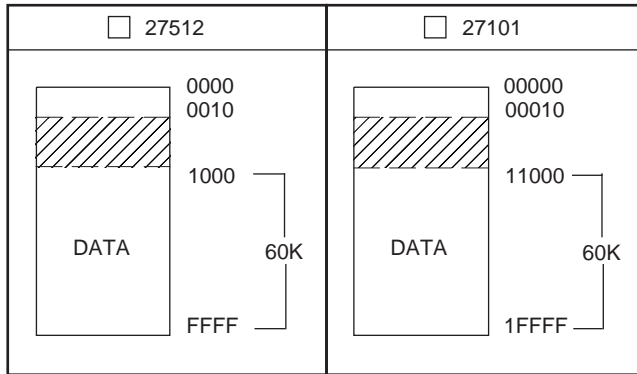
Specify the name of the product being ordered.  
 Three sets of EPROMs are required for each pattern (Check @ in the appropriate box).  
 If at least two of the three sets of EPROMs submitted contain the identical data, we will produce masks based on this data.  
 We shall assume the responsibility for errors only if the mask ROM data on the products we produce differ from this data.  
 Thus, the customer must be especially careful in verifying the data contained in the EPROMs submitted.

Checksum code for entire EPROM areas 

--	--	--	--

 (hexadecimal notation)

EPROM Type :



- (1) Set "FF<sub>16</sub>" in the shaded area.
- (2) Address 0<sub>16</sub> to 10<sub>16</sub> are the area for storing the data on model designation and options. This area must be written with the data shown below. Details for option data are given next in the section describing the STP instruction option. Address and data are written in hexadecimal notation.

Address	Address	Address			
4D	0	43	8	Option data	10
33	1	2D	9		
37	2	FF	A		
37	3	FF	B		
35	4	FF	C		
33	5	FF	D		
4D	6	FF	E		
38	7	FF	F		

※ 2. STP instruction option

One of the following sets of data should be written to the option data address (10<sub>16</sub>) of the EPROM you have ordered. Check @ in the appropriate box.

STP instruction enable       Address 10<sub>16</sub>  
 STP instruction disable       Address 10<sub>16</sub>

※ 3. Mark specification

Mark specification must be submitted using the correct form for the type of package being ordered fill out the appropriate 80P6N Mark Specification Form (for M37753M8C-XXXFP), 80P6Q Mark Specification Form (for M37753M8C-XXXHP) and attach to the Mask ROM Order Confirmation Form.

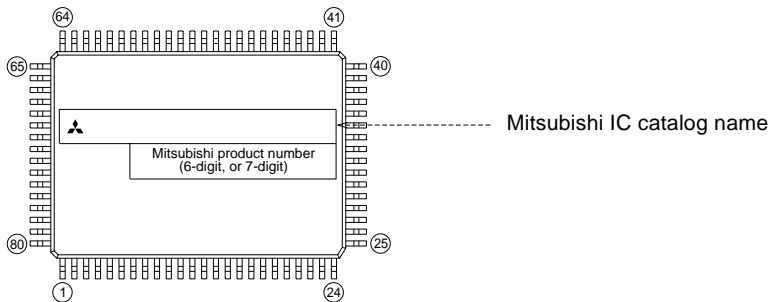
※ 4. Comments

## 80P6N (80-PIN QFP) MARK SPECIFICATION FORM

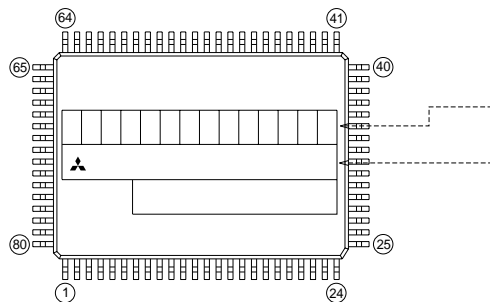
Mitsubishi IC catalog name

Please choose one of the marking types below (A, B, C), and enter the Mitsubishi IC catalog name and the special mark (if needed).

### A. Standard Mitsubishi Mark



### B. Customer's Parts Number + Mitsubishi IC Catalog Name



Customer's Parts Number

Note : The fonts and size of characters are standard Mitsubishi type.

Mitsubishi IC catalog name

Notes 1 : The mark field should be written right aligned.

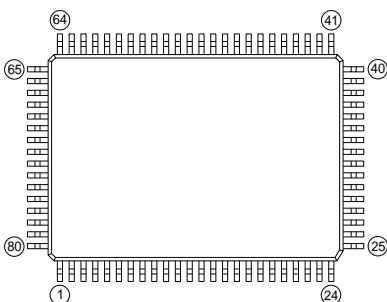
2 : The fonts and size of characters are standard Mitsubishi type.

3 : Customer's parts number can be up to 14 alphanumeric characters for capital letters, hyphens, commas, periods and so on.

4 : If the Mitsubishi logo is not required, check the box below.

Mitsubishi logo is not required

### C. Special Mark Required



Notes 1 : If special mark is to be printed, indicate the desired layout of the mark in the left figure. The layout will be duplicated technically as close as possible.

Mitsubishi product number (6-digit, or 7-digit) and Mask ROM number (3-digit) are always marked for sorting the products.

2 : If special character fonts (e.g., customer's trade mark logo) must be used in Special Mark, check the box below.

For the new special character fonts, a clean font original (ideally logo drawing) must be submitted.

Special character fonts required

**Keep safety first in your circuit designs!**

- Mitsubishi Electric Corporation puts the maximum effort into making semiconductor products better and more reliable, but there is always the possibility that trouble may occur with them. Trouble with semiconductors may lead to personal injury, fire or property damage. Remember to give due consideration to safety when making your circuit designs, with appropriate measures such as (i) placement of substitutive, auxiliary circuits, (ii) use of non-flammable material or (iii) prevention against any malfunction or mishap.

**Notes regarding these materials**

- These materials are intended as a reference to assist our customers in the selection of the Mitsubishi semiconductor product best suited to the customer's application; they do not convey any license under any intellectual property rights, or any other rights, belonging to Mitsubishi Electric Corporation or a third party.
- Mitsubishi Electric Corporation assumes no responsibility for any damage, or infringement of any third-party's rights, originating in the use of any product data, diagrams, charts or circuit application examples contained in these materials.
- All information contained in these materials, including product data, diagrams and charts, represent information on products at the time of publication of these materials, and are subject to change by Mitsubishi Electric Corporation without notice due to product improvements or other reasons. It is therefore recommended that customers contact Mitsubishi Electric Corporation or an authorized Mitsubishi Semiconductor product distributor for the latest product information before purchasing a product listed herein.
- Mitsubishi Electric Corporation semiconductors are not designed or manufactured for use in a device or system that is used under circumstances in which human life is potentially at stake. Please contact Mitsubishi Electric Corporation or an authorized Mitsubishi Semiconductor product distributor when considering the use of a product contained herein for any specific purposes, such as apparatus or systems for transportation, vehicular, medical, aerospace, nuclear, or undersea repeater use.
- The prior written approval of Mitsubishi Electric Corporation is necessary to reprint or reproduce in whole or in part these materials.
- If these products or technologies are subject to the Japanese export control restrictions, they must be exported under a license from the Japanese government and cannot be imported into a country other than the approved destination.  
Any diversion or reexport contrary to the export control laws and regulations of Japan and/or the country of destination is prohibited.
- Please contact Mitsubishi Electric Corporation or an authorized Mitsubishi Semiconductor product distributor for further details on these materials or the products contained therein.

## REVISION DESCRIPTION LIST

M37753M8C-XXXFP/HP DATA SHEET

Rev. No.	Revision Description	Rev. date
1.0	First Edition	971114
1.01	<p>The following are added:</p> <ul style="list-style-type: none"> <li>•MASK ROM ORDER CONFIRMATION FORM</li> <li>•MARK SPECIFICATION FORM</li> </ul>	980528
2.00	<p>(1) For the “valid output polarity select bit for interrupt request (bit 1 at address 1C<sub>16</sub>)” (three-phase mode 1), it’s name and function are corrected:</p> <ul style="list-style-type: none"> <li>• New bit name in three-phase mode 1: interrupt validity output select bit</li> <li>• Corrected function: <ul style="list-style-type: none"> <li>0: Timer B2 interrupt request generated <u>at each even-numbered underflow</u> of timer B2</li> <li>1: Timer B2 interrupt request generated <u>at each odd-numbered underflow</u> of timer B2</li> </ul> </li> <li>• Related pages: pages 36, 37, 39</li> </ul> <p>(2) For the following register, it’s internal status after reset is corrected:</p> <ul style="list-style-type: none"> <li>• Target register: port P2 direction register (address 08<sub>16</sub>)</li> <li>• Correction: the status of bits 4 to 6 is “000”. (Not “<input type="checkbox"/><input type="checkbox"/><input type="checkbox"/>”).</li> <li>• Related page: page 62</li> </ul> <p>(3) For the following register, it’s internal status after reset is corrected:</p> <ul style="list-style-type: none"> <li>• Target register: processor mode register 0 (address 5E<sub>16</sub>)</li> <li>• Correction: the status of bit 1 is “0”. (Not “1”).</li> <li>• Related page: page 62</li> </ul> <p>(4) The names of registers at addresses 5C<sub>16</sub>, 5D<sub>16</sub> are corrected:</p> <ul style="list-style-type: none"> <li>• Address 5C<sub>16</sub>: timer B<sub>1</sub> mode register</li> <li>• Address 5D<sub>16</sub>: timer B<sub>2</sub> mode register</li> <li>• Related page: page 62</li> </ul> <p>(5) For the “timer A write flag (address 45<sub>16</sub>)”, it’s name and it’s bit name are corrected:</p> <ul style="list-style-type: none"> <li>• New register name: timer A write <u>register</u></li> <li>• New bit name: timer A<sub>i</sub> write <u>bit</u> (i = 0 to 2)</li> <li>• Related pages: pages 7, 36, 39, 62</li> </ul>	990428