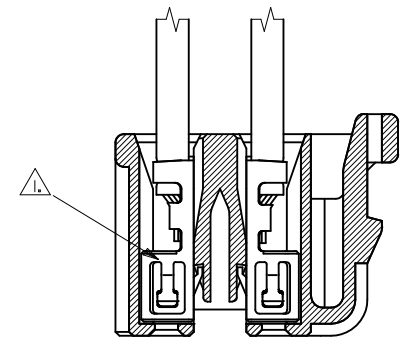


NOTES.

1. 適合ターミナル : 501193-\*\*\*\*  
APPLICABLE TERMINAL : 501193-\*\*\*\*
2. 嵌合相手 : 501190-\*\*\*\* , 501571-\*\*\*\*  
MATE WITH : 501190-\*\*\*\* , 501571-\*\*\*\*
3. 極数 / 2 = 偶数に適用。  
APPLY FOR CIRCUIT SIZE / 2 = EVEN
4. 材料  
MATERIAL  
66ナイロン、ガラス無充填、UL94V-0  
PA66 , GLASS FILLED 0% , UL94V-0
5. ELV 及び RoHS 適合品  
ELV AND RoHS COMPLIANT.



ターミナル装着図  
TERMINAL ASSEMBLY DRAWING

24	25.3	26.7	501189-501*	50
19	20.3	21.7	501189-401*	40
14	15.3	16.7	501189-301*	30
9	10.3	11.7	501189-201*	20
C	B	A	ポリ袋 POLYBAG PACKAGE オーダー番号 ORDER NO.	CKT.

REVISED EC NO: J2012-0269 DRWN:KASHIO 2011/08/27 CHKD:KASAKAWA 2011/08/26 APPR:NUKITA 2011/08/26	GENERAL TOLERANCES (UNLESS SPECIFIED)		DIMENSION STYLE MM ONLY		SCALE 5:1	DESIGN UNITS METRIC	THIRD ANGLE PROJECTION	
	10 UNDER	±0.2	DRAWN BY NYOSHIDA	DATE 2004/12/17	TITLE 1.0 WIRE TO BOARD CONN. 2-ROW RECEPTACLE HOUSING			
	10 OVER 30 UNDER	±0.25	CHECKED BY MYAGI	DATE 2004/12/17				
	30 OVER	±0.3	APPROVED BY ANODA	DATE 2004/12/17	MOLEX INCORPORATED			
	ANGULAR ±3 °		MATERIAL NO.	DOCUMENT NO.				
DRAFT WHERE APPLICABLE MUST REMAIN WITHIN DIMENSIONS		SEE SHEET 2		SD-501189-002		1 OF 2		
		THIS DRAWING CONTAINS INFORMATION THAT IS PROPRIETARY TO MOLEX INCORPORATED AND SHOULD NOT BE USED WITHOUT WRITTEN PERMISSION						

10 9 8 7 6 5 4 3 2 1

F

F

E

E

D

D

C

C

B

B

A

A

緑 GREEN	青 BLUE	赤 RED	黒 BLACK	白 WHITE	色 COLOR
//	//	//	//	501189-5010	50
//	//	//	//	501189-4010	40
501189-3016	501189-3014	501189-3012	501189-3011	501189-3010	30
501189-2016	501189-2014	501189-2012	501189-2011	501189-2010	20

ポリ袋 POLYBAG PACKAGE

オーダー番号 ORDER NO.

CKT.

SEE SHEET 1 EC NO: J2012-0269 DRWN:KASHIO 2011/08/22 CHKD:KASAKAWA 2011/08/26 APPR:NUKITA 2011/08/26	DESCRIPTION REV	GENERAL TOLERANCES (UNLESS SPECIFIED)		DIMENSION STYLE <b>MM ONLY</b>	SCALE <b>5:1</b>	DESIGN UNITS <b>METRIC</b>	THIRD ANGLE PROJECTION	
		10 UNDER	±0.2	DRAWN BY NYOSHIDA	DATE 2004/12/17	TITLE <b>1.0 WIRE TO BOARD CONN. 2-ROW RECEPTACLE HOUSING</b>		
		10 OVER 30 UNDER	±0.25	CHECKED BY MYAGI	DATE 2004/12/17			
		30 OVER	±0.3	APPROVED BY ANODA	DATE 2004/12/17			
ANGULAR ±3 °		DRAFT WHERE APPLICABLE MUST REMAIN WITHIN DIMENSIONS		MATERIAL NO. <b>SEE CHART</b>	DOCUMENT NO. <b>SD-501189-002</b>		SHEET NO. <b>2 OF 2</b>	
				SIZE <b>A3</b>	THIS DRAWING CONTAINS INFORMATION THAT IS PROPRIETARY TO MOLEX INCORPORATED AND SHOULD NOT BE USED WITHOUT WRITTEN PERMISSION			