

BOURNS®

STJN-5 – SMD Thin Tact Switch

Features

- Thin 5 mm square SMD
- Three different operating forces
- 0.8 mm height without knob
(1.5 mm with knob)
- Compatible with surface mount reflow soldering processes

■ RoHS compliant*

Electrical Characteristics

Max. Power Rating.....12 VDC max., 50 mA
 Contact Resistance100 milliohms max.
 Insulation Resistance
100 megohms min., 100 VDC
 Dielectric Strength...AC 250 V for 1 minute
 Bounce
 On3 ms max.
 Off10 ms max.
 CircuitN.O. SPST

Mechanical Characteristics

Mechanical Life
 100 gf + 160 gf.....500,000 cycles min.
 260 gf200,000 cycles min.
 Actuation Force
100 gf ±50 gf (1.0 N ±0.5 N)
160 gf ±50 gf (1.6 N ±0.5 N)
260 gf ±60 gf (2.6 N ± 0.6 N)
 Stroke.....0.25 mm +0.10/-0.20

General Characteristics

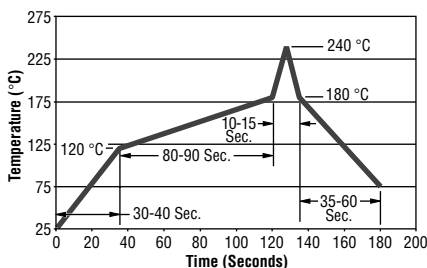
Switch Type(N.O.) SPST
 Operating Temperature Range
-20 °C to +70 °C
 Storage Temperature Range
-40 °C to +85 °C

How To Order

STJ N - 5 08 - N TR

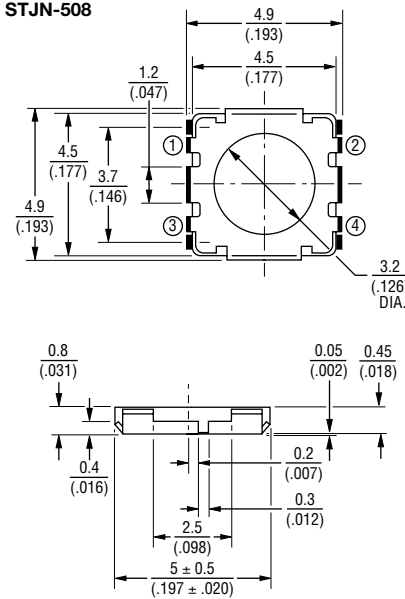
Model _____
 Thin SMD Tact Switch
 Product Code _____
 N = Non-washable
 Size _____
 -5 = 5 mm
 Height _____
 08 = 0.8 mm (without knob)
 15 = 1.5 mm (with knob)
 Actuating Force _____
 -K = 100 gf (1.0 N)
 -N = 160 gf (1.6 N)
 -R = 260 gf (2.6 N)
 Packaging Option _____
 TR = Embossed tape
 5,000 pcs./reel

Reflow Soldering Profile

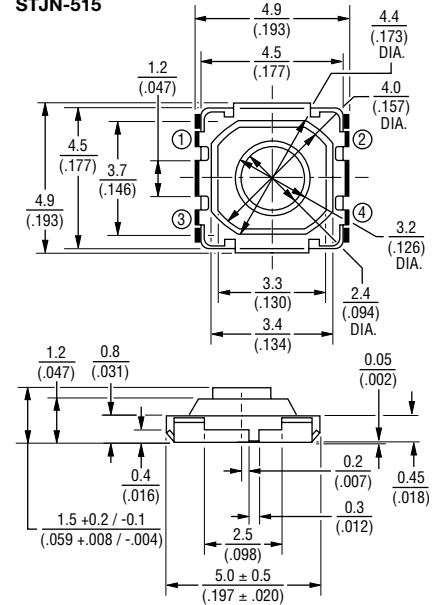


Product Dimensions

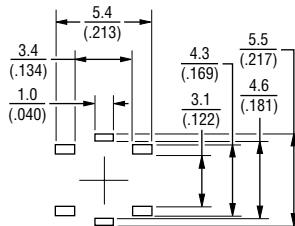
STJN-508



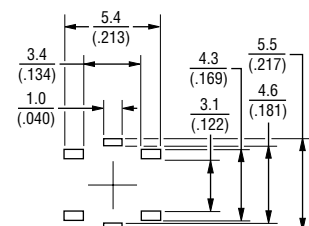
STJN-515



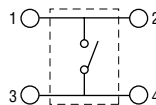
Recommended PCB Layout



Recommended PCB Layout

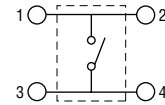


Circuit Diagram



DIMENSIONS: MM/(INCHES)
 TOLERANCES: ±.38/(±.015) EXCEPT WHERE NOTED

Circuit Diagram



Specifications are subject to change without notice.
 *RoHS Directive 2002/95/EC Jan 27 2003 including Annex.
 Customers should verify actual device performance in their specific applications.
 REV 09/04