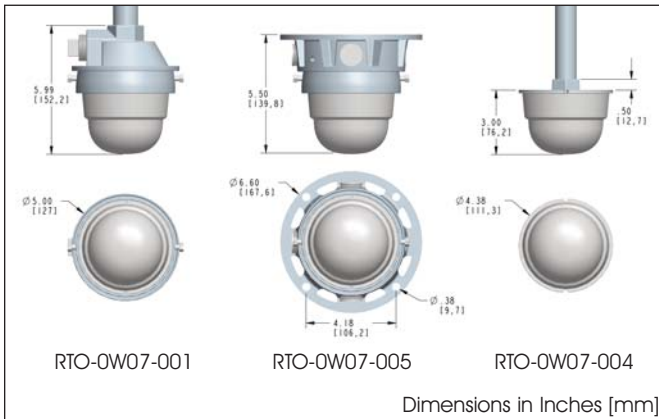




Patent Pending

## DuroSite® Series LED Downlight



### Certifications

- UL1598
- CSA 22.2 No. 137-M1981
- IP66

### Features & Benefits

- 5 year full performance warranty
- Instant on/off operation
- Superior color rendition index compared to HPS, LPS, MV
- Mercury free
- Resistant to shock and vibration
- Weather/corrosion resistant lamp assembly and housing
- Temperature compensation technology for longer life
- L70 rated for >60,000 hours
- Factory sealed

### Ordering Codes:

Part Number	Mounting	Color	Lumens	Watts	Lumens Per Watt
<b>100 - 240VAC</b>					
RTO0W07001	Pendant Mount with Junction Box	Cool White	470	8	59
RTO0W07005	Ceiling Mount with Junction Box	Cool White	470	8	59
RTO0W07004	Pendant Mount	Cool White	470	8	59
<b>12 - 48VDC</b>					
RTO0W08001	Pendant Mount with Junction Box	Cool White	470	8	59
RTO0W08005	Ceiling Mount with Junction Box	Cool White	470	8	59
RTO0W08004	Pendant Mount	Cool White	470	8	59

### Accessories:

Part Number	Description
RTO100	Flush wall mount kit
RTO101	Junction box wall mount kit

### Application:

Dialight introduces the new state-of-the-art fixture for industrial general lighting. Its rugged solid state design creates a new era where failed lamps and expensive relamping costs become a thing of the past. The DuroSite® LED Downlight incorporates cutting edge LED technology and is the most efficient light source available for industrial lighting applications. Whether your application is in a refinery, oil platform, chemical plant or any other industrial application, this fixture offers improved performance across the board.

All of Dialight's long life LED luminaires are designed to meet the most demanding specification criteria while offering maximum energy savings, reduced maintenance costs, and a superior quality of light

### Mechanical Information

**Fixture Weight:**  
 RTO0W0x001 - 2.5 lbs (1.13 kg)  
 RTO0W0x005 - 3.2 lbs (1.45 kg)  
 RTO0W0x004 - 0.8 lbs (0.36 Kg)

**Shipping Weight:**  
 RTO0W0x001 - 3.0 lbs (1.36 kg)  
 RTO0W0x005 - 4.5 lbs (2.04 kg)  
 RTO0W0x004 - 1.4 lbs (0.64 Kg)

**Mounting:**  
 Pendant Mount - 1" & 3/4" NPT reducer bi-directional mounting  
 Ceiling Mount - 3/4" NPT 5-way surface mounting  
 Pendant Mount - with 3/4" NPT threaded conduit

### Electrical specifications

**Operating Voltage:** 100 - 240VAC, 50/60 Hz  
 12 - 48VDC

**Power Consumption:** 8W

**Operating Temp:** -40°F to +133°F (-40°C to +55°C)

**Noise Requirements/ EMC:** FCC Title 47, Subpart B, Section 15, class A device. RF Immunity; 10V/m, 80MHz-1GHz

**Surge Protection:** 1 kV line to line  
 2 kV line to ground

**THD:** <20%

**Power Factor:** > 0.9

### Construction

**Housing:** Diecast Powder coated aluminum

**Finish:** Polyester / epoxy powder coat gray RAL 7040 for superior corrosion resistance

**Lens:** UV stabilized abrasion resistant polycarbonate

### Photometric Information

**CRI:** > 70

**CCT:** 5,300K (cool white)

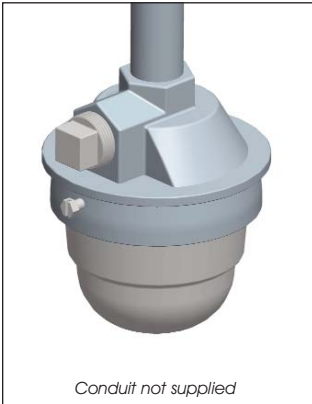
**IES Files:** Available upon request

All values typical unless otherwise state

# DuroSite® Series LED Downlight

## Mounting Options

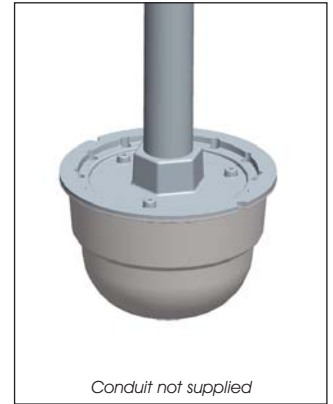
Pendant Mount With  
Junction Box



Ceiling Mount With  
Junction Box



Pendant Mount



## Mounting Accessory Mounting Kits

FLush Wall Mount - RTO1000



Junction Box Wall Mount - RTO1001

