

32-bit Microcontrollers FM3 Family MB9B100 Series



MB9B100 series are highly integrated 32-bit microcontrollers that target for high-performance and cost-sensitive embedded control applications.

MB9B100 series are based on the ARM Cortex-M3 Processor and on-chip Flash memory and SRAM, and peripheral functions, including Motor Control timers, ADCs and Communication interfaces.

FEATURES

- **ARM Cortex-M3 CPU**
Processor version : r2p0
- **Clock**
Maximum clock frequency : 80MHz
- **Base Timer** : 8 channels
- **Multi-function Timer** : 2 units
16-bit free-run timer ×3channels/unit
Input capture ×4channels/unit
Output compare ×6channels/unit
A/D activating compare ×3channels/unit
Waveform generator 3channels/unit
16-bit PPG timer ×3channels/unit
- **QPRC** : 2 channels
- **Dual timer** : 1 unit
- **Watch dog timer** : 2 channels
- **Multi-function Serial Interface** : 8 channels
Selectable from UART/CSI0/LIN/I²C
- **External bus interface**
- **DMA Controller** : 8 channels
- **External interrupt Controller Unit**
- Up to 16 external vectors
- Include one non-maskable interrupt (NMI)
- **12-bit A/D converter** : 16 channels
- **Low power consumption mode**
Sleep mode
Timer mode
Stop mode
- **I/O port**
MB9BF104N/F105N/F106N : 80 (Max.)
MB9BF104R/F105R/F106R : 100 (Max.)
- **On-chip debug**
- **Low-voltage detection reset circuit**
- **Clock supervisor counter**
- **Power supply** : 2.7~5.5V
*The range of the power supply voltage is different according to the operating frequency and the operating temperature.

PRODUCT LINEUP

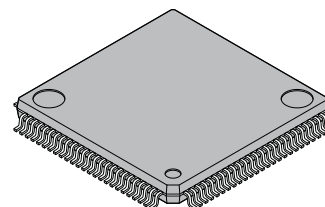
Part number Parameter	MB9BF104N	MB9BF105N	MB9BF106N	MB9BF104R	MB9BF105R	MB9BF106R
Type	Flash memory product					
ROM (Byte)	256K	384K	512K	256K	384K	512K
RAM (Byte)	32K	48K	64K	32K	48K	64K
Package	Plastic · LQFP, 100-pins (FPT-100P-M20*/M23)			Plastic · LQFP, 120-pins (FPT-120P-M21)		
	Plastic · BGA, 112-pins (BGA-112P-M04)					

*: ES product only

ORDERING INFORMATION

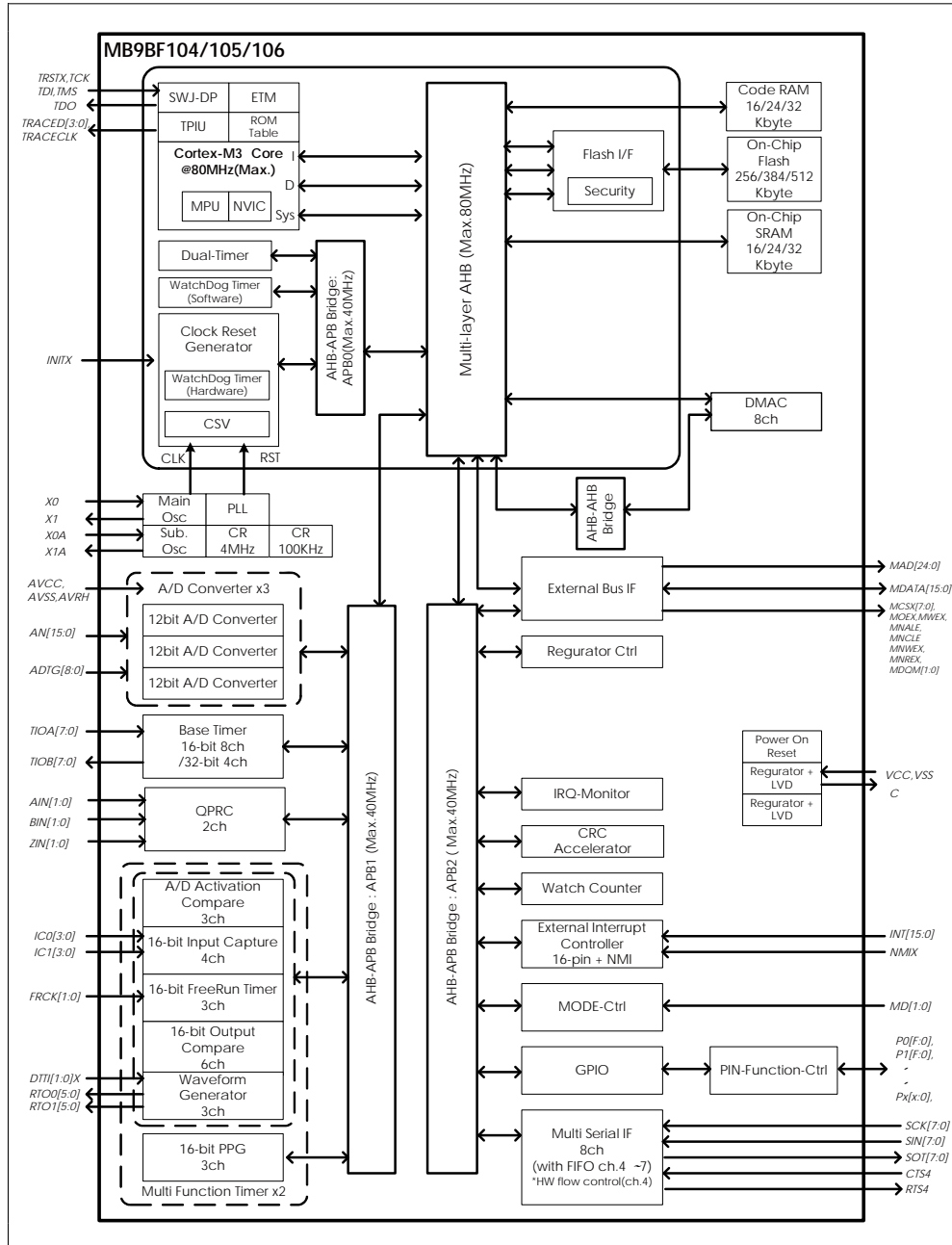
Part number	Package
MB9BF104NPMC	Plastic · LQFP (0.5mm pitch), 100-pin (FPT-100P-M20*/M23)
MB9BF105NPMC	
MB9BF106NPMC	
MB9BF104RPMC	Plastic · LQFP (0.5mm pitch), 120-pin (FPT-120P-M21)
MB9BF105RPMC	
MB9BF106RPMC	
MB9BF104NBGL	Plastic · PFBGA (0.8mm pitch), 112-pin (BGA-112P-M04)
MB9BF105NBGL	
MB9BF106NBGL	

PACKAGE EXAMPLE OF REFERENCE



Plastic · LQFP, 100-pins
(FPT-100P-M23)

ARM is the registered trademark of ARM Limited in the EU and other countries.
Cortex-M3 is trademark of ARM Limited in the EU and other countries.

■ BLOCK DIAGRAM

■ STARTER KIT

A starter kit for FM3 Family manufactured by IAR Systems and KEIL will be on market.

A high performance board (made by IAR Systems) or a simple board (made by KEIL) can be selected by the usage.

• IAR Systems

By using IAR Systems made starter kit, evaluation by high performance board is possible.

(Expected release date: April 2011)

• KEIL

By using KEIL made starter kit, evaluation by simple board is possible.

(Expected release date: April 2011)