

## Quintuple Voltage Monitor

The ISL88031 is a quintuple voltage-monitoring supervisor combining competitive reset threshold accuracy and low power consumption. This device combines popular functions such as Power On Reset, Undervoltage Supply Supervision, reset signaling and Manual Reset. Monitoring up to five different voltages in a small 8 Ld MSOP package, the ISL88031 devices can help to lower system cost, reduce board space requirements, and increase the reliability of multi-voltage systems.

Low  $V_{DD}$  detection circuitry protects the user's system from low voltage conditions, resetting the system when  $V_{DD}$  or any of the other monitored power supply voltages fall below their respective minimum voltage thresholds. The reset signal remains asserted until all of these voltages return to proper operating levels and stabilize.

With two of the five voltage monitors being preset for common supplies, users can adjust the threshold voltages of the third, fourth, and fifth voltage monitors in order to meet specific system level requirements.

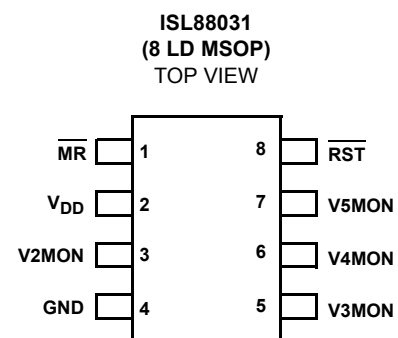
## Features

- Quintuple Voltage Monitoring
- Fixed-Voltage Options Allow Precise Monitoring of +5.0V, +3.3V, +3.0V, +2.5V and +1.8V Power Supplies
- Adjustable Voltage Inputs Monitor Voltages > 0.6V
- 120ms Nominal Reset Pulse Width
- Manual Reset Capability
- Reset Signals Valid Down to  $V_{DD} = 1V$
- Accurate  $\pm 1.8\%$  Voltage Threshold
- Immune to Power-Supply Transients
- Low 19 $\mu A$  Maximum Supply Current at 5V
- Pb-Free Plus Anneal Available (RoHS Compliant)

## Applications

- Telecom & Datacom Systems
- Routers & Servers
- Access Concentrators
- Cable/Satellite Applications
- Desktop & Notebook Computer Systems
- Data Storage Equipment
- Set-Top Boxes
- Industrial Equipment
- Multi-Voltage Systems

## Pinout



## ISL88031

### Ordering Information

PART NUMBER (Note 1, 2)	PART MARKING	V <sub>TH1</sub>	V <sub>TH2</sub>	TEMP RANGE (°C)	PACKAGE (Pb-free)	PKG. DWG. #
ISL88031IU8HFZ	AMA	4.64V	3.09V	-40 to +85	8 Ld MSOP	M8.118
ISL88031IU8HEZ	ANZ	4.64V	2.92V	-40 to +85	8 Ld MSOP	M8.118
ISL88031IU8HCZ	APR	4.64V	2.32V	-40 to +85	8 Ld MSOP	M8.118
ISL88031IU8HAZ	APS	4.64V	1.69V	-40 to +85	8 Ld MSOP	M8.118
ISL88031IU8ECZ	APT	2.90V	2.32V	-40 to +85	8 Ld MSOP	M8.118
ISL88031IU8EAZ	APZ	2.90V	1.69V	-40 to +85	8 Ld MSOP	M8.118

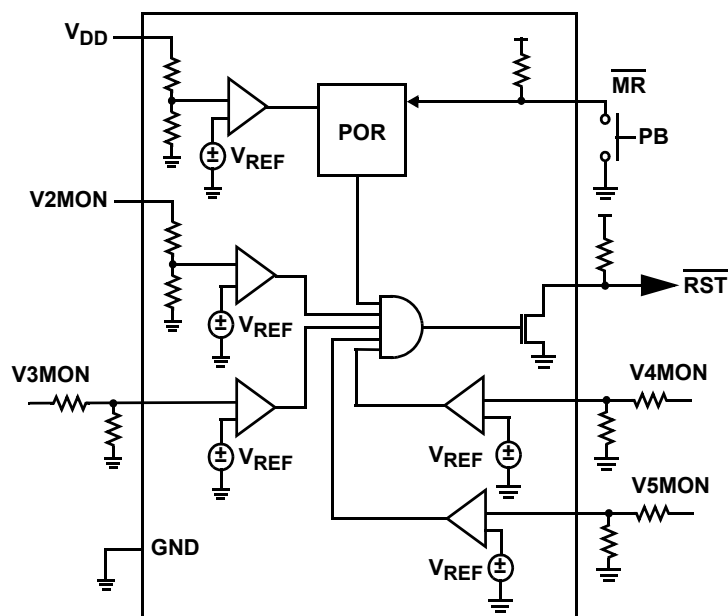
**NOTES:**

1. Add "-TK" suffix for Tape and Reel.
2. Intersil Pb-free plus anneal products employ special Pb-free material sets; molding compounds/die attach materials and 100% matte tin plate termination finish, which are RoHS compliant and compatible with both SnPb and Pb-free soldering operations. Intersil Pb-free products are MSL classified at Pb-free peak reflow temperatures that meet or exceed the Pb-free requirements of IPC/JEDEC J STD-020.

### Pin Descriptions

ISL88031	NAME	FUNCTION
1	$\overline{\text{MR}}$	Active-Low Open Drain Manual Reset Input with internal pull-up resistor
2	V <sub>DD</sub>	Chip Bias Input and integrated preset under voltage monitor
3	V2MON	Second Preset Under-Voltage Monitor Input
4	GND	Ground
5	V3MON	Adjustable Third Under-Voltage Monitor Input
6	V4MON	Adjustable Fourth Under-Voltage Monitor Input
7	V5MON	Adjustable Fifth Under-Voltage Monitor Input
8	$\overline{\text{RST}}$	Active-Low Open Drain Reset Output

### Functional Block Diagram



# ISL88031

## Absolute Maximum Ratings

Temperature under bias . . . . . -40°C to +125°C  
 Voltage on any pin with respect to GND . . . . . -1.0V to +7V  
 D.C. output current . . . . . 5mA

## Thermal Information

Thermal Resistance (Typical, Note 3)  $\theta_{JA}$  (°C/W)  
 MSOP Package . . . . . 145

## Recommended Operating Conditions

Operating temperature range (Industrial) . . . . . -40°C to +85°C  
 Storage temperature range . . . . . -65°C to +150°C  
 Lead temperature (soldering, 10s) . . . . . 300°C

**CAUTION:** Stresses above those listed in "Absolute Maximum Ratings" may cause permanent damage to the device. This is a stress only rating and operation of the device at these or any other conditions above those indicated in the operational sections of this specification is not implied.

### NOTE:

- $\theta_{JA}$  is measured with the component mounted on a high effective thermal conductivity test board in free air. See Tech Brief TB379 for details.

## Electrical Specifications Over the recommended operating conditions unless otherwise specified.

SYMBOL	PARAMETER	TEST CONDITIONS	MIN	TYP	MAX	UNITS
V <sub>DD</sub>	Supply Voltage Range		2.0		5.5	V
I <sub>DD1</sub>	V <sub>DD</sub> Supply Current	V <sub>DD</sub> = 5.0V		14	19	μA
I <sub>DD2</sub>	V2MON Input Current	V2MON = 3.3V		5.5	7	μA
I <sub>DDA</sub>	V3, V4, V5MON Input Current	V3, V4, V5MON = 1.0V		19	100	nA
<b>VOLTAGE THRESHOLDS</b>						
V <sub>TH1</sub>	Fixed Voltage Trip Point for V <sub>DD</sub>	ISL88031IU8HxZ	4.551	4.634	4.717	V
		ISL88031IU8ExZ	2.814	2.866	2.917	V
V <sub>TH1HYST</sub>	Hysteresis of V <sub>TH1</sub>	V <sub>TH1</sub> = 4.64V		46		mV
		V <sub>TH1</sub> = 2.90V		29		mV
V <sub>TH2</sub>	Fixed Voltage Trip Point for V2MON	ISL88031IU8xFZ	3.022	3.078	3.133	V
		ISL88031IU8xEZ	2.901	2.955	3.008	V
		ISL88031IU8xCZ	2.291	2.333	2.375	V
		ISL88031IU8xAZ	1.652	1.683	1.713	V
V <sub>TH2HYST</sub>	Hysteresis of V <sub>TH2</sub>	V <sub>TH2</sub> = 3.09V		37		mV
		V <sub>TH2</sub> = 2.92V		29		mV
		V <sub>TH2</sub> = 2.32V		23		mV
		V <sub>TH2</sub> = 1.69V		17		mV
V <sub>REF</sub>	V3MON Adj. Reset Threshold Voltage	V <sub>TH</sub> for V3MON	0.589	0.600	0.611	V
	V4MON, V5MON Adj. Reset Threshold Voltage	V <sub>TH</sub> for V4MON, V5MON	0.585	0.598	0.611	V
V <sub>REFHYST</sub>	Hysteresis Voltage			3		mV
<b>RESET</b>						
V <sub>OL</sub>	Reset Output Voltage Low	V <sub>DD</sub> ≥ 3.3V, Sinking 2.5mA		0.05	0.40	V
		V <sub>DD</sub> < 3.3V, Sinking 1.5mA		0.05	0.40	V
t <sub>RPD</sub>	V <sub>TH</sub> to Reset Asserted Delay			6		μs
t <sub>POR</sub>	POR Timeout Delay		80	120	180	ms
C <sub>LOAD</sub>	Load Capacitance on Reset Pins			5		pF

# ISL88031

## Electrical Specifications Over the recommended operating conditions unless otherwise specified. (Continued)

SYMBOL	PARAMETER	TEST CONDITIONS	MIN	TYP	MAX	UNITS
<b>MANUAL RESET</b>						
V <sub>MRL</sub>	$\overline{MR}$ Input Voltage Low				0.8	V
V <sub>MRH</sub>	$\overline{MR}$ Input Voltage High		V <sub>DD</sub> -0.6			V
t <sub>MR</sub>	$\overline{MR}$ Minimum Pulse Width		550			ns
R <sub>PU</sub>	Internal Pull-Up Resistor			10		kΩ

## Pin Description

### $\overline{RST}$

The  $\overline{RST}$  output is an open drain output which is asserted low whenever

1. the device is initially powered up to 1V or
2. V<sub>DD</sub>, V2MON, V3MON, V4MON, or V5MON fall below their minimum voltage sense level.

### $\overline{MR}$

The  $\overline{MR}$  input is an active low debounced input to which a user can connect a push-button to add manual reset capability or use a signal to pull low.  $\overline{MR}$  has an internal pull-up resistor.

### V<sub>DD</sub>

The V<sub>DD</sub> pin is the IC power supply terminal. The voltage at this pin is compared against an internal factory-programmed voltage trip point, V<sub>TH1</sub>.  $\overline{RST}$  is first asserted low when the device is initially powered and V<sub>DD</sub> < 1 V and then at any time thereafter when V<sub>DD</sub> falls below V<sub>TH1</sub>. The device is designed with hysteresis to help prevent chattering due to noise and is immune to brief power-supply transients.

### V2MON

The V2MON input is the second preset monitored voltage that causes the  $\overline{RST}$  output to go low when the voltage on V2MON falls below V<sub>TH2</sub>.

### V3MON, V4MON, and V5MON

The VxMON inputs provide monitoring and UV compliance of three additional voltages through resistor dividers. A reset is issued on the ISL88031 if the voltage on any VxMON falls below the internal V<sub>REF</sub> of 0.6V.

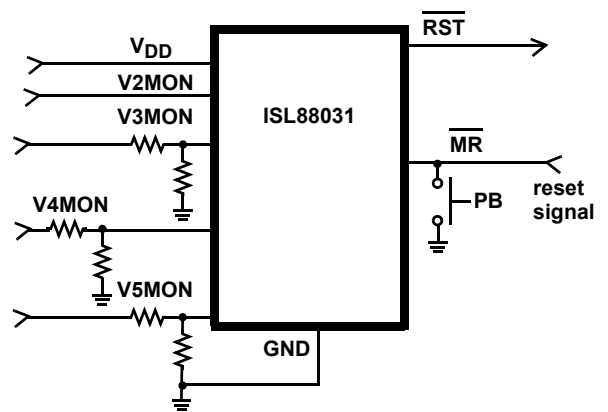


FIGURE 1. TYPICAL APPLICATION DIAGRAM

## Principles of Operation

The ISL88031 device provides those functions needed for monitoring critical voltages such as power-supply and battery functions in microprocessor systems. It provides such features as Power On Reset control, Supply Voltage Supervision, and Manual Reset Assertion. The integration of all these features along with competitive reset threshold accuracy and low power consumption make the ISL88031 device suitable for a wide variety of applications needing multi-voltage monitoring. See Figure 1 for typical application diagram.

### Low Voltage Monitoring

During normal operation, the ISL88031 monitors the voltage levels of V<sub>DD</sub>, V2MON, V3MON, V4MON, and V5MON. If the voltage on any of these five inputs falls below their respective voltage trip points, a reset is asserted ( $\overline{RST}$  = low) to prevent the microprocessor from operating during a power failure or brownout condition. This reset signal remains low until the voltages exceed the voltage threshold settings for the reset time delay period t<sub>POR</sub>.

The ISL88031 allows users to customize the minimum voltage sense level for three of the five monitored voltages. For example, the user can adjust the voltage input trip point (V<sub>TRIP</sub>) for V3MON, V4MON and V5MON inputs. To do this, connect an external resistor divider network to the VxMON pin in order to set the trip point to some other voltage above 600mV according to the following formula:

$$V_{TRIP} = 0.6V \times (R1 + R2) / R2$$

### Power On Reset (POR)

Applying power to the ISL88031 activates a POR circuit which makes the reset pin(s) active (i.e. RST goes high while  $\overline{\text{RST}}$  goes low). These signals provide several benefits:

- It prevents the system microprocessor from starting to operate with insufficient voltage.
- It prevents the processor from operating prior to stabilization of the oscillator.
- It ensures that the monitored device is held out of operation until internal registers are properly loaded.
- It allows time for an FPGA to download its configuration prior to initialization of the circuit.

The reset signal remains active until  $V_{DD}$  rises above the minimum voltage sense level for time period  $t_{POR}$ . This ensures that the supply voltage has stabilized to sufficient operating levels.

### Manual Reset

The manual-reset input ( $\overline{\text{MR}}$ ) allows the user to trigger a reset by using a push-button switch or by signaling the input low. The  $\overline{\text{MR}}$  input is an active low debounced input. Reset is asserted if the  $\overline{\text{MR}}$  pin is pulled low to less than 100mV for the minimum  $\overline{\text{MR}}$  pulse width or longer while the push-button is closed. After  $\overline{\text{MR}}$  is released, the reset output remains asserted low for  $t_{POR}$  (200ms) and then is released.

Figures 2 and 3 illustrate the operation ISL88031's operation. Figure 4 shows the ISL88031EVAL, the evaluation platform for this family of voltage monitors. Figures 5 and 6 illustrate  $\overline{\text{RST}}$  output response times.

### The ISL88031EVAL1 and Applications

The ISL88031EVAL1 supports all variants of the ISL88031 devices, enabling evaluation of basic functional operation and common application implementations. Figure 4 illustrates the ISL88031EVAL1 in schematic and photographic forms. The ISL88031EVAL1 has two isolated circuits, the left circuit is populated with the ISL88031IU8HFZ ( $V_{DD}$   $V_{TH1}$  = 4.64V,  $V_{2MON}$   $V_{TH2}$  = 3.08V). The right circuit is unpopulated for the user to customize to provide a specific voltage monitoring solution with the accompanying loose packed variants.

With adequate bias on the two  $\overline{\text{preset}}$  and the three adjustable monitor inputs the  $\overline{\text{RST}}$  output will release to pull high indicating that all supplies are compliant for a minimum of  $t_{POR}$ . For the ISL88031EVAL1 as shipped the  $V_{DD}$  and  $V_{2MON}$  nominal thresholds are as previously noted with the voltage thresholds being monitored by  $V_{3MON}$ ,  $V_{4MON}$  and  $V_{5MON}$  being nominally 1.990V, 1.44V and 0.95V respectively.

### Special Application Considerations

Using good decoupling practices on bias and other monitoring inputs will prevent transients (i.e. due to switching noises and short duration droops in the supply voltage) from causing unwanted resets.

Although the internal ISL88031 threshold references are guaranteed over the full temp range accuracy errors due to external component tolerances and distribution looses will occur. High tolerance resistors and layout for extreme accuracy and critical performance must be considered.

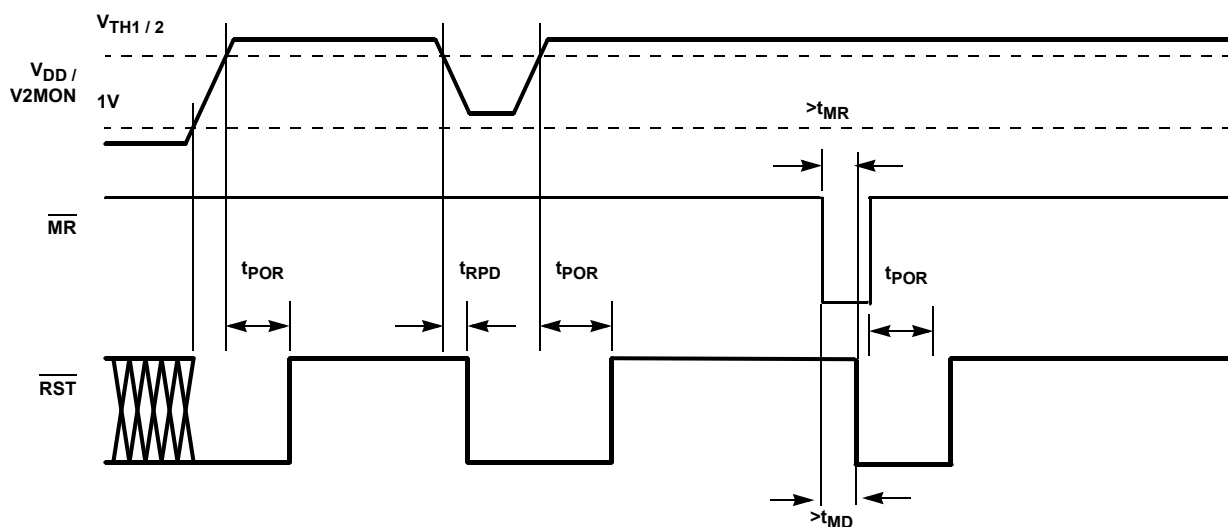


FIGURE 2. POWER SUPPLY MONITORING DIAGRAM

# ISL88031

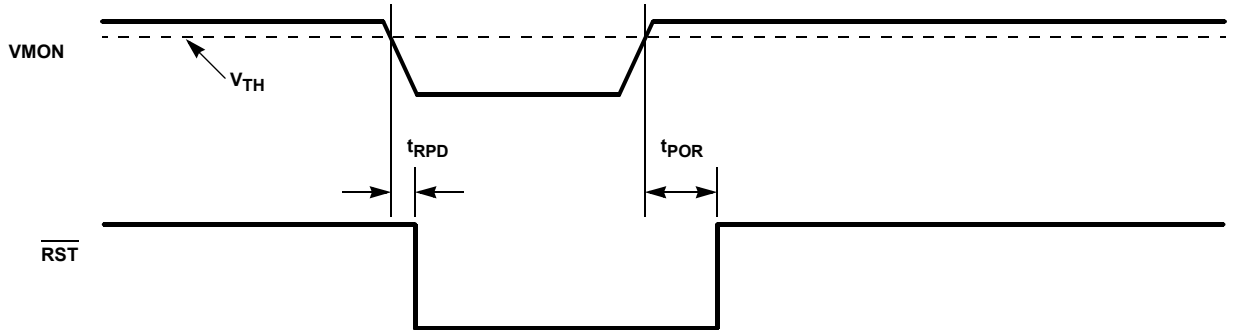


FIGURE 3. VOLTAGE MONITORING DIAGRAM

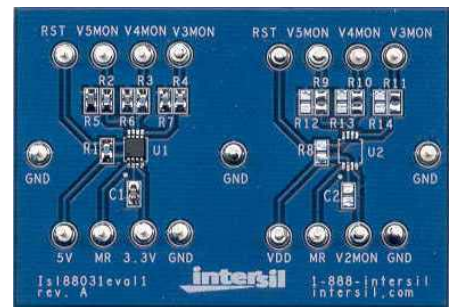
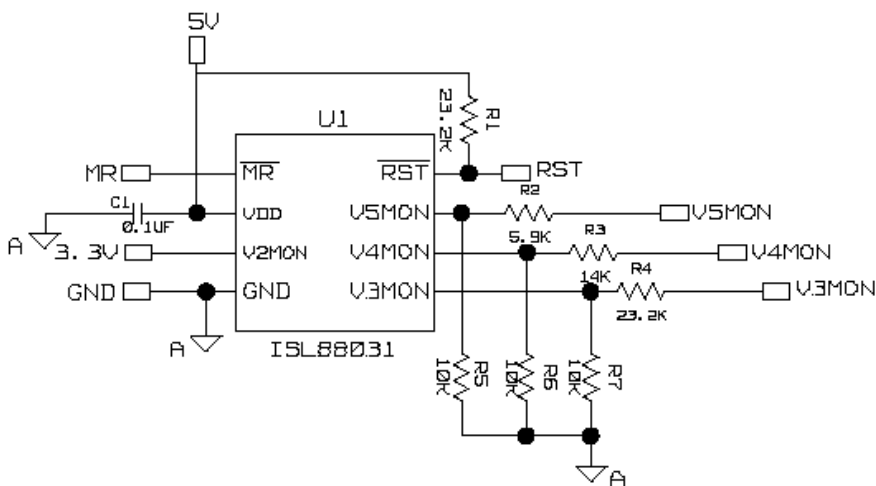


FIGURE 4. ISL88031EVAL1 SCHEMATIC AND PHOTOGRAPH

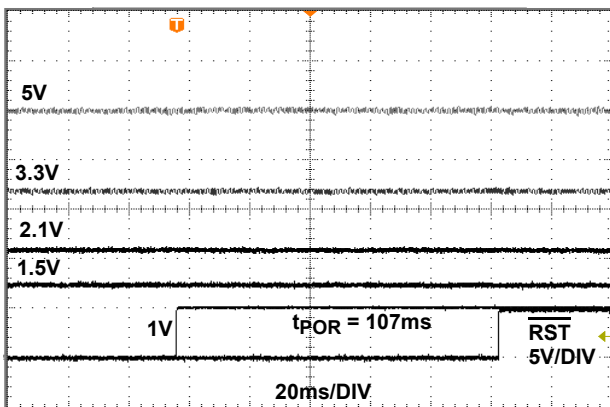


FIGURE 5. ISL88031  $t_{POR}$

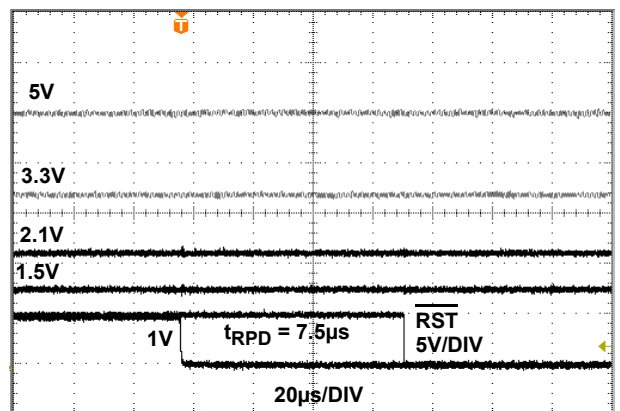


FIGURE 6. ISL88031  $t_{RPD}$

