

FEATURES AND SPECIFICATIONS

Features and Benefits

- Sizes 5 to 25 circuits
- Low insertion force (LIF)
- Accepts flat conductor flexible cable or flat flexible circuitry on .100" centers
- Snaps into PC board with retaining locks
- Printed circuit board solder tail terminals
- Built-in polarized strain relief

Reference Information

Product Specification: PS-4850
 Packaging: Bag
 Tooling Information: See end of section
 UL File No.: E29179
 CSA File No.: LR19980
 Designed In: Inches

Electrical

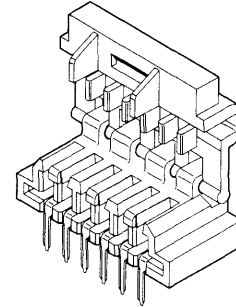
Voltage: 250V
 Current: 3.0A
 Contact Resistance: 10mΩ max.
 Dielectric Withstanding Voltage: 1500V
 Insulation Resistance: 20 MΩ min.

Physical

Housing: Green glass-filled polyester, UL 94V-0
 Contact: Brass
 Plating: Tin
 Operating Temperature: -40 to +70°C

molex® 2.54mm (.100") Pitch Flat Flex Connector

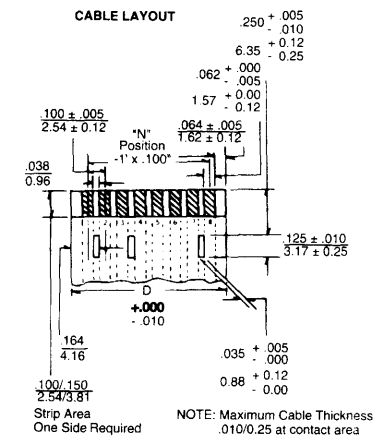
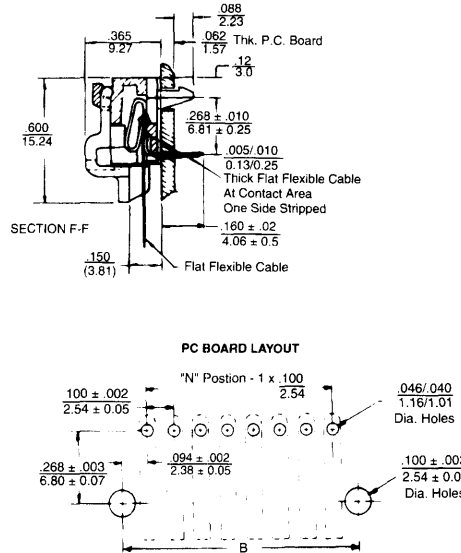
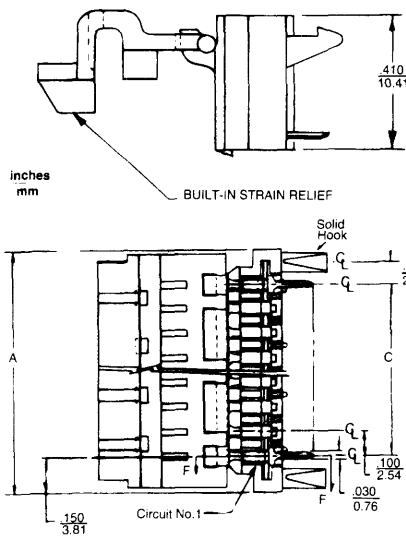
4850



FFC/FPC Connectors



CATALOG DRAWING (FOR REFERENCE ONLY)



Note: Cable must be notched

ORDERING INFORMATION AND DIMENSIONS

Circuits	Order No.	Dimension				Cable Slots for Strain Relief Located Between
		A	B	C	D	
5	15-25-4051	17.78 (.700)	14.94 (.588)	10.16 (.400)	14.98 (.590)	1-2,3-4
6	15-25-4061	20.32 (.800)	17.48 (.688)	12.70 (.500)	17.52 (.690)	1-2,4-5
7	15-25-4071	22.86 (.900)	20.02 (.788)	15.24 (.600)	20.06 (.790)	1-2,5-6
8	15-25-4081	25.40 (1.000)	22.56 (.888)	17.78 (.700)	22.60 (.890)	1-2,3-4,7-8
9	15-25-4091	27.94 (1.100)	25.10 (.988)	20.32 (.800)	25.14 (.990)	1-2,3-4,8-9
10	15-25-4101	30.48 (1.200)	27.64 (1.088)	22.86 (.900)	27.68 (1.090)	1-2,3-4,9-10
11	15-25-4111	33.02 (1.300)	30.18 (1.188)	25.40 (1.000)	30.22 (1.190)	1-2,3-4,10-11
12	15-25-4121	35.56 (1.400)	32.72 (1.288)	27.94 (1.100)	32.76 (1.290)	1-2,3-4,11-12
13	15-25-4131	38.10 (1.500)	35.26 (1.388)	30.48 (1.200)	35.30 (1.390)	1-2,3-4,12-13
14	15-25-4141	40.64 (1.600)	37.80 (1.488)	33.02 (1.300)	37.84 (1.490)	1-2,3-4,13-14
15	15-25-4151	43.18 (1.700)	40.34 (1.588)	35.56 (1.400)	40.38 (1.590)	1-2,3-4,14-15

Circuits	Order No.	Dimension				Cable Slots for Strain Relief Located Between
		A	B	C	D	
16	15-25-4161	45.72 (1.800)	42.88 (1.688)	38.10 (1.500)	42.92 (1.690)	1-2,3-4,15-16
17	15-25-4171	48.26 (1.900)	45.42 (1.788)	40.64 (1.600)	45.46 (1.790)	1-2,3-4,16-17
18	15-25-4181	50.80 (2.000)	47.96 (1.888)	43.18 (1.700)	48.00 (1.890)	1-2,3-4,17-18
19	15-25-4191	53.34 (2.100)	50.50 (1.988)	45.72 (1.800)	50.54 (1.990)	1-2,3-4,18-19
20	15-25-4201	55.88 (2.200)	53.04 (2.088)	48.26 (1.900)	53.08 (2.090)	1-2,3-4,19-20
21	15-25-4211	58.42 (2.300)	55.58 (2.188)	50.80 (2.000)	55.62 (2.190)	1-2,3-4,20-21
22	15-25-4221	60.96 (2.400)	58.12 (2.288)	53.34 (2.100)	58.16 (2.290)	1-2,3-4,21-22
23	15-25-4231	63.50 (2.500)	60.66 (2.388)	55.88 (2.200)	60.70 (2.390)	1-2,3-4,22-23
24	15-25-4241	66.04 (2.600)	63.20 (2.488)	58.42 (2.300)	63.24 (2.490)	1-2,3-4,23-24
25	15-25-4251	68.58 (2.700)	65.74 (2.588)	60.69 (2.400)	65.78 (2.590)	1-2,3-4,24-25