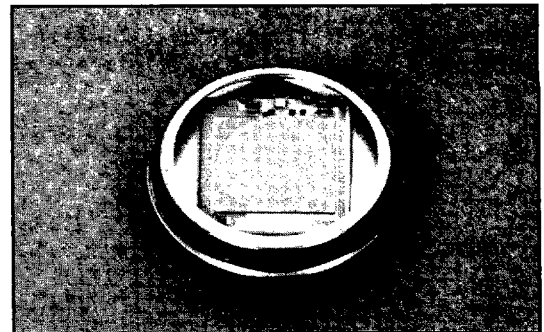


Series OSI

Optical Silicon Integrated Detector

The OSI Series integrates Centronic high performance single element photodiodes with selected operational amplifiers in a single hybrid package. The photo response and transimpedance gain of the devices can be tailored to fit any application. Custom designs are welcome including multi-channel, thermo electricity cooled, fiber-coupled, and others to fit your application.

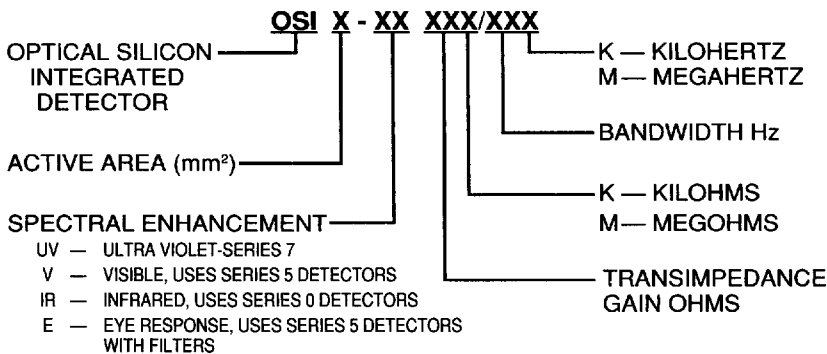


Hybrid Selection Guide

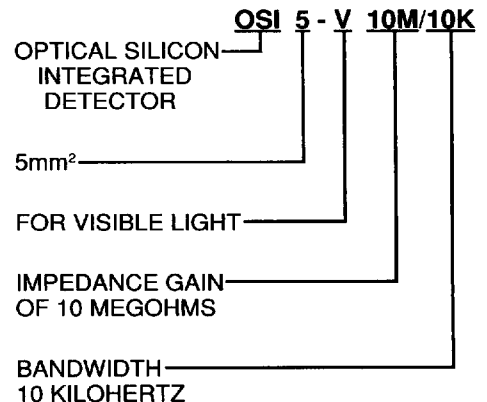
Type No.	Active Area mm ²	Gain Ohm	Bandwidth Hz	Spectral Enhancement at				Peak Responsivity V/μW	Typical NEP WHz ^{-1/2}	Typical Min. Power Level μW at 900nm	Typical Sat. Power Level μW at 900nm	Package
				UV	V	IR	E					
BPX65-100	1	-	150M	SEE PAGE 27-28 FOR MORE INFORMATION								8
OSI 1-XX-300K/10M	1	300k	10M	◇	◇	◇	-	0.15	2 x 10 ⁻¹²	7 x 10 ⁻³	26	*
OSI 5-XX-10M/10K	5	10M	10k	◇	◇	◇	◇	5.8	1.5 x 10 ⁻¹²	2 x 10 ⁻⁴	2	*
OSI 5-XX-50M/2K	5	50M	2k	-	◇	◇	-	29	6 x 10 ⁻¹³	4 x 10 ⁻⁵	0.4	*
OSI 5-XX-100M/1K	5	100M	1k	-	◇	◇	-	58	1 x 10 ⁻¹³	4 x 10 ⁻⁵	0.23	*
OSI 5-XX-500M/10K	5	500M	10k	-	◇	◇	-	250	1 x 10 ⁻¹³	1 x 10 ⁻¹³	0.05	*
OSI 15-XX-100K/25K	15	100k	25k	-	◇	◇	-	5.8 x 10 ⁻²	6 x 10 ⁻¹²	5 x 10 ⁻⁴	200	*
OSI 35-XX-1M/2K5	35	1M	2.5k	-	◇	◇	-	5.8 x 10 ⁻¹	6 x 10 ⁻¹²	4 x 10 ⁻⁴	22	*
OSI 50-XX-40K/20M	50	40k	20M	-	◇	◇	-	3 x 10 ⁻²	3 x 10 ⁻¹¹	0.15	130	*
OSI 100-XX-40K/15M	100	40k	15M	-	◇	◇	-	3 x 10 ⁻²	3 x 10 ⁻¹¹	0.15	130	*
OSI 5-DEV	5	100k	100k	◇	◇	◇	◇	5.8	1.5 x 10 ⁻¹²	2 x 10 ⁻⁴	2	Page 29

*For Package Drawings please consult Factory.

ORDERING INFORMATION



EXAMPLE



Complete technical data for each hybrid series are available upon request.



CENTRONIC INC.
2088 Anchor Court
Newbury Park, CA 91320
805-499-5902 • FAX: 805-499-7770

For Sales and Technical Assistance Please Call:
805-499-5902