

# E-Series I/Q Modulator

## 380 - 400 MHz

# EKIN2-390

V3.00

### Features

- High Carrier Suppression
- High 3I and 5I Suppression

### Specifications @ 25°C

Frequency Range		
(LO) Carrier I/Q		380 - 400 MHz DC - 0.27 MHz
(LO) Carrier Suppression <sup>1</sup>	Typical 35 dBc	Minimum 30 dBc
SSB Rejection <sup>1</sup>	Typical 35 dBc	Minimum 30 dBc
Harmonic Suppression <sup>1</sup>	Typical	Minimum
	3 x I/Q 45 dBc	35 dBc
	5 x I/Q 65 dBc	55 dBc
Conversion Loss	Typical 7.4 dB	Maximum 9.0 dB
(LO) Carrier Power		+10 ±1 dBm
I/Q Drive Level		-10 dBm

1. When Q = +90° relative to I; Lower sideband is suppressed. Related to wanted sideband power.

### Operating Characteristics

Impedance	50 Ohms Nominal
-----------	-----------------

### Ordering Information

<b>Part No.</b>	<b>Packaging</b>
EKIN2-390	SM-28 in Tubes
EKIN2-390TR	SM-28 in Forward Tape & Reel

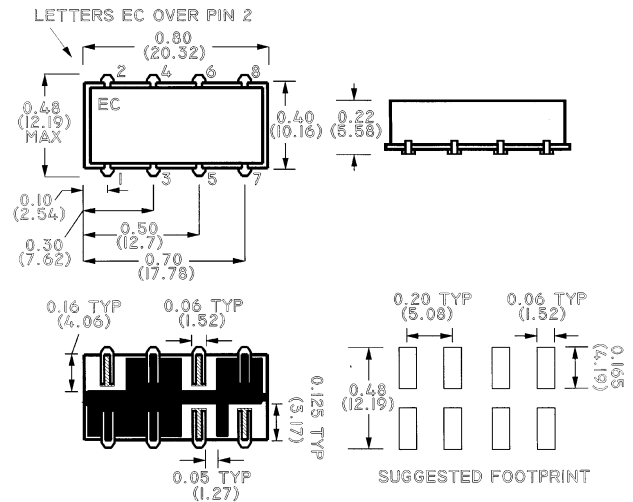
### Absolute Maximum Ratings

Parameter	Absolute Maximum
Storage Temp.	-55°C to +100°C
Pin Temp (10 sec)	260°C

### Pin Configuration

Function	Pin No.
LO	1
RF	8
I	5
Q	6
Case Ground	2,3,4,7

### SM-28



Dimensions in ( ) are in mm.  
 Unless Otherwise Noted: .x = ±0.04 (1.00)  
 .xx = ±0.02 (0.50)  
 .xxx = ±0.010 (0.250)

Specifications Subject to Change Without Notice.

M/A-COM, Inc.

North America: Tel. (800) 366-2266 ■ Asia/Pacific: Tel. +81 (03) 3226-1671 ■ Europe: Tel. +44 (1344) 869 595  
 Fax (800) 618-8883 Fax +81 (03) 3226-1451 Fax +44 (1344) 300 020