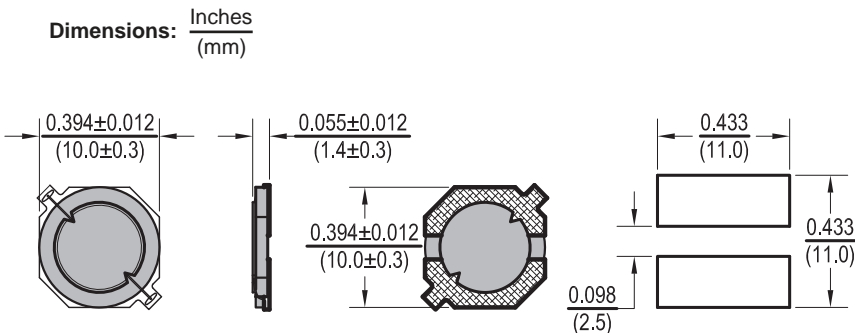




Power Chip Shielded Inductors PCS1014



Allied Part Number	Inductance (μh)	Tolerance (%)	Test Freq. KHz, 1v	RDC (Ω) Max	Rated Current (A) Max
PCS1014-2R2T-RC	2.2	30	100	0.06	2.8
PCS1014-2R7T-RC	2.7	30	100	0.06	2.8
PCS1014-3R3T-RC	3.3	30	100	0.06	2.8
PCS1014-4R7T-RC	4.7	30	100	0.09	2.3
PCS1014-6R8T-RC	6.8	30	100	0.11	2.0
PCS1014-100T-RC	10	30	100	0.17	1.8
PCS1014-150T-RC	15	30	100	0.24	1.4
PCS1014-220T-RC	22	30	100	0.33	1.2
PCS1014-330T-RC	33	30	100	0.50	0.9

All specifications subject to change without notice.

Features

- Shielded SMD Power Inductor
- Available in magnetically shielded
- Low DC resistance
- Ideal for DC-DC converter applications

Electrical

Inductance Range: 2.2μh to 33μh

Tolerance: 30% over entire range

Also, available in tighter tolerances

Operating Temp: -25°C ~ +100°C

Rated Current: Current at which inductance drops by 35% of initial value or ΔT=40°C lower, whichever is lower

Resistance to Soldering Heat

Pre-Heat 150°C, 1 minute.

Solder Composition: Sn/Ag3.0/Cu0.5

Solder Temp: 260°C ± 5°C for 10 sec. ± 1 sec.

Test Equipment

(L): HP 4192A LF Impedance Analyzer

(RDC): Chen Hwa 502

(IDC): HP4284A + HP42841A

Physical

Packaging: 2000 pieces per 13 inch reel.

Marking: EIA Inductance Code