

10-Bit Rail-to-Rail Micropower DAC with 2-Wire Interface

FEATURES

- **Micropower 10-Bit DAC in SOT-23**
- **Low Operating Current: 60 μ A**
- **Ultralow Power Shutdown Mode: 10 μ A**
- **2-Wire Serial Interface Compatible with SMBus**
- **Selectable Internal Reference or Ratiometric to V_{CC}**
- **Maximum DNL Error: 0.75LSB**
- **8 User Selectable Addresses (MSOP Package)**
- Single 2.7V to 5.5V Operation
- Buffered True Rail-to-Rail Voltage Output
- Power-On Reset
- 0.6V V_{IL} and 1.4V V_{IH} for SDA and SCL
- Small 5-Lead SOT-23 and 8-Lead MSOP Packages

APPLICATIONS

- Digital Calibration
- Offset/Gain Adjustment
- Industrial Process Control
- Automatic Test Equipment
- Arbitrary Function Generators
- Battery-Powered Data Conversion Products

DESCRIPTION

The LTC[®]1663 is a 10-bit voltage output DAC with true buffered rail-to-rail output voltage capability. It operates from a single supply with a range of 2.7V to 5.5V. The reference for the DAC is selectable between the supply voltage or an internal bandgap reference. Selecting the internal bandgap reference will set the full-scale output voltage range to 2.5V. Selecting the supply as the reference sets the output voltage range to the supply voltage.

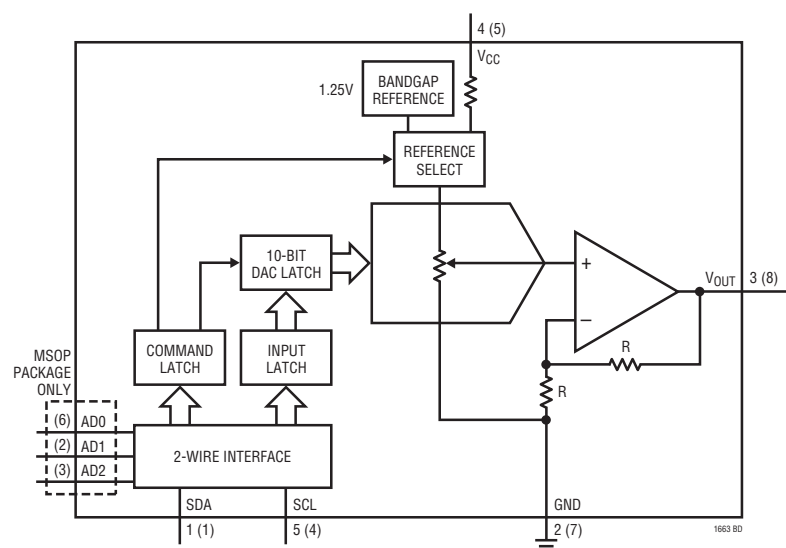
The part features a simple 2-wire serial interface compatible with SMBus that allows communication between many devices. The internal data registers are double buffered to allow for simultaneous update of several devices at once. The DAC can be put in low current power-down mode for use in power conscious systems.

Power-on reset ensures the DAC output is at 0V when power is initially applied, and all internal registers are cleared.

For I²C designs, please refer to the LTC1669.

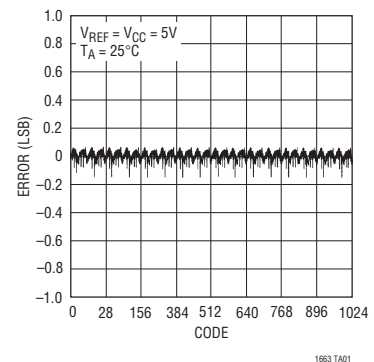
LT, LT, LTC and LTM are registered trademarks of Linear Technology Corporation. All other trademarks are the property of their respective owners.

BLOCK DIAGRAM



NOTE: PIN NUMBERS IN PARENTHESES REFER TO THE MSOP PACKAGE

Differential Nonlinearity (DNL)

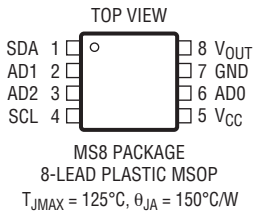
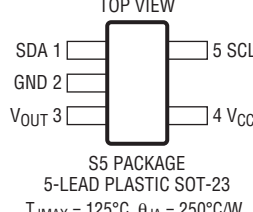


LTC1663

ABSOLUTE MAXIMUM RATINGS (Note 1)

V_{CC} to GND	-0.3V to 7.5V	Operating Temperature Range	
SDA, SCL	-0.3V to 7.5V	LTC1663C	0°C to 70°C
AD0, AD1, AD2 (MSOP Only)	-0.3V to ($V_{CC} + 0.3V$)	LTC1663I	-40°C to 85°C
V_{OUT}	-0.3V to ($V_{CC} + 0.3V$)	LTC1663E (Note 8)	-40°C to 85°C
Storage Temperature Range	-65°C to 150°C	Lead Temperature (Soldering, 10 sec)	300°C

PACKAGE/ORDER INFORMATION

	ORDER PART NUMBER		ORDER PART NUMBER		
 <p>MS8 PACKAGE 8-LEAD PLASTIC MSOP $T_{JMAX} = 125^{\circ}C, \theta_{JA} = 150^{\circ}C/W$</p>	LTC1663CMS8 LTC1663IMS8 LTC1663-8CMS8 LTC1663-8IMS8	 <p>S5 PACKAGE 5-LEAD PLASTIC SOT-23 $T_{JMAX} = 125^{\circ}C, \theta_{JA} = 250^{\circ}C/W$</p>	LTC1663CS5 LTC1663-1CS5 LTC1663-2CS5 LTC1663ES5		
	MS8 PART MARKING		S5 PART MARKING*		
	LTEQ LTA6 LTJJ LTA7			LTEP LTSB L TSA LTEP	

Order Options Tape and Reel: Add #TR
Lead Free: Add #PBF Lead Free Tape and Reel: Add #TRPBF
Lead Free Part Marking: <http://www.linear.com/leadfree/>

Consult LTC Marketing for parts specified with wider operating temperature ranges. *The temperature grade is identified by a label on the shipping container.

ELECTRICAL CHARACTERISTICS

The ● denotes specifications which apply over the full operating temperature range, otherwise specifications are at $T_A = 25^{\circ}C$. $V_{CC} = 2.7V$ to $5.5V$, V_{CC} set as reference, V_{OUT} unloaded, unless otherwise noted.

SYMBOL	PARAMETER	CONDITIONS	MIN	TYP	MAX	UNITS
DAC						
	Resolution		●	10		Bits
	Monotonicity	(Note 2)	●	10		Bits
DNL	Differential Nonlinearity	Guaranteed Monotonic (Note 2)	●	±0.2	±0.75	LSB
INL	Integral Nonlinearity	(Note 2)	●	±0.5	±2.5	LSB
		LTC1663E (Note 2)	●	±0.5	±3	LSB
V_{OS}	Offset Error	Measured at Code 20	●	±10	±30	mV
		Measured at Code 20 (LTC1663E)	●	±10	±35	mV
V_{OSTC}	Offset Error Temperature Coefficient			±15		$\mu V/^{\circ}C$
FSE	Full-Scale Error	Reference Set to V_{CC}	●	±3	±15	LSB
		Reference Set to Internal Bandgap	●	±3	±15	LSB
		Reference Set to V_{CC} (LTC1663E)	●		±20	LSB
		Reference Set to Internal Bandgap (LTC1663E)	●		±20	LSB
V_{OUT}	DAC Output Span	Reference Set to V_{CC}		0 to V_{CC}		V
		Reference Set to Internal Bandgap		0 to 2.5		V
V_{FSTC}	Full-Scale Voltage Temperature Coefficient	Reference Set to V_{CC}		±30		$\mu V/^{\circ}C$
		Reference Set to Internal Bandgap		±50		$\mu V/^{\circ}C$
PSRR	Power Supply Rejection Ratio	Reference Set to Internal Bandgap, Code = 1023		±0.4		LSB/V

1663fd

ELECTRICAL CHARACTERISTICS

The ● denotes specifications which apply over the full operating temperature range, otherwise specifications are at $T_A = 25^\circ\text{C}$. $V_{CC} = 2.7\text{V}$ to 5.5V , V_{CC} set as reference, V_{OUT} unloaded, unless otherwise noted.

SYMBOL	PARAMETER	CONDITIONS		MIN	TYP	MAX	UNITS
V_{CC}	Positive Supply Voltage		●	2.7		5.5	V
I_{CC}	Supply Current	$V_{CC} = 3\text{V}$ (Note 3) $V_{CC} = 5\text{V}$ (Note 3)	● ●		60 75	100 125	μA μA
I_{SD}	Supply Current in Shutdown Mode	(Note 3) LTC1663E (Note 3)	● ●		10 12	16 24	μA μA

Op Amp DC Performance

	Short-Circuit Current (Sourcing)	V_{OUT} Shorted to GND, Input Code = 1023	●		25	100	mA
	Short-Circuit Current (Sinking)	V_{OUT} Shorted to V_{CC} , Input Code = 0	●		30	120	mA
	Output Impedance to GND	Input Code = 0, $V_{CC} = 5\text{V}$ Input Code = 0, $V_{CC} = 3\text{V}$ In Shutdown Mode			65 150 500		Ω Ω k Ω
	Output Impedance to V_{CC}	Input Code = 1023, $V_{CC} = 5\text{V}$ Input Code = 1023, $V_{CC} = 3\text{V}$			80 120		Ω Ω

AC Performance

	Voltage Output Slew Rate	Rising (Notes 4, 5) Falling (Notes 4, 5)			0.75 0.25		V/ μs V/ μs
	Voltage Output Settling Time	To $\pm 0.5\text{LSB}$ (Notes 4, 5)			30		μs
	Digital Feedthrough				0.75		nV·s
	Digital-to-Analog Glitch Impulse	1LSB Change Around Major Carry			70		nV·s

Digital Inputs SCL, SDA

V_{IH}	High Level Input Voltage		●	1.4			V
V_{IL}	Low Level Input Voltage		●			0.6	V
V_{LTH}	Logic Threshold Voltage				1		V
I_{LEAK}	Digital Input Leakage	$V_{CC} = 5.5\text{V}$ and 0V , $V_{IN} = \text{GND}$ to V_{CC} $V_{CC} = 5.5\text{V}$ and 0V , $V_{IN} = \text{GND}$ to V_{CC} (LTC1663E)	● ●			± 1.0 ± 1.2	μA μA
C_{IN}	Digital Input Capacitance	(Note 7)	●			10	pF

Digital Output SDA

V_{OL}	Digital Output Low Voltage	$I_{PULLUP} = 350\mu\text{A}$	●			0.4	V
----------	----------------------------	-------------------------------	---	--	--	-----	---

Address Inputs AD0, AD1, AD2 (MSOP Only)

I_{UP}	Address Pin Pull-Up Current	$V_{IN} = 0\text{V}$	●		0.5	1.5	μA
V_{IH}	High Level Input Voltage		●	$V_{CC} - 0.3$			V
V_{IL}	Low Level Input Voltage		●			0.8	V

TIMING CHARACTERISTICS

The ● denotes specifications which apply over the full operating temperature range, otherwise specifications are at $T_A = 25^\circ\text{C}$. $V_{CC} = 2.7\text{V}$ to 5.5V , V_{CC} set as reference, V_{OUT} unloaded, unless otherwise noted.

SYMBOL	PARAMETER		MIN	TYP	MAX	UNITS
SMBus Timing Characteristics (Notes 6, 7)						
f_{SMB}	SMBus Operating Frequency	●	10		100	kHz
t_{BUF}	Bus Free Time Between Stop and Start Condition	●	4.7			μs
$t_{HD, STA}$	Hold Time After (Repeated) Start Condition	●	4.0			μs
$t_{SU, STA}$	Repeated Start Condition Setup Time	●	4.7			μs
$t_{SU, STO}$	Stop Condition Setup Time	●	4.0			μs
$t_{HD, DAT}$	Data Hold Time	●	300			ns

TIMING CHARACTERISTICS

The ● denotes specifications which apply over the full operating temperature range, otherwise specifications are at $T_A = 25^\circ\text{C}$. $V_{CC} = 2.7\text{V}$ to 5.5V , V_{CC} set as reference, V_{OUT} unloaded, unless otherwise noted.

SYMBOL	PARAMETER		MIN	TYP	MAX	UNITS
$t_{SU, DAT}$	Data Setup Time	●	250			ns
t_{LOW}	Clock Low Period	●	4.7			μs
t_{HIGH}	Clock High Period	●	4.0		50	μs
t_f	Clock, Data Fall Time	●			300	ns
t_r	Clock, Data Rise Time	●			1000	ns

Note 1: Stresses beyond those listed under Absolute Maximum Ratings may cause permanent damage to the device. Exposure to any Absolute Maximum Rating condition for extended periods may affect device reliability and lifetime.

Note 2: Nonlinearity and monotonicity are defined from code 20 to code 1003 (full scale). See Applications Information.

Note 3: Digital inputs at 0V or V_{CC} .

Note 4: Load is $10\text{k}\Omega$ in parallel with 100pF .

Note 5: $V_{CC} = V_{REF} = 5\text{V}$. DAC switched between $0.1V_{FS}$ and $0.9V_{FS}$, i.e., codes $k = 102$ and $k = 922$.

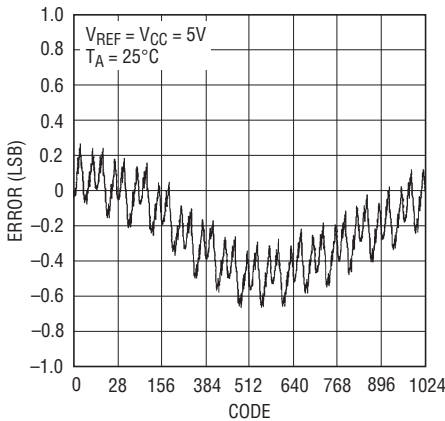
Note 6: All values are referenced to V_{IH} and V_{IL} levels.

Note 7: Guaranteed by design and not subject to test.

Note 8: The LTC1663E is guaranteed to meet performance specifications from 0°C to 70°C . Specifications over the -40°C to 85°C operating temperature range are assured by design, characterization and correlation with statistical process controls.

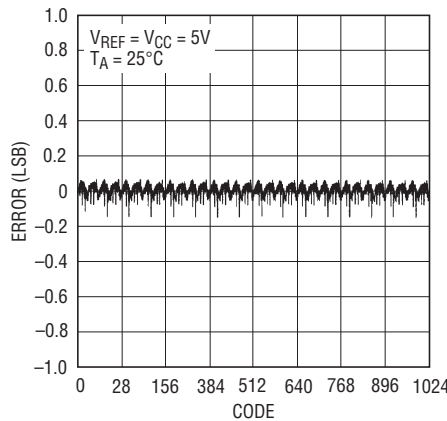
TYPICAL PERFORMANCE CHARACTERISTICS

Integral Nonlinearity (INL)



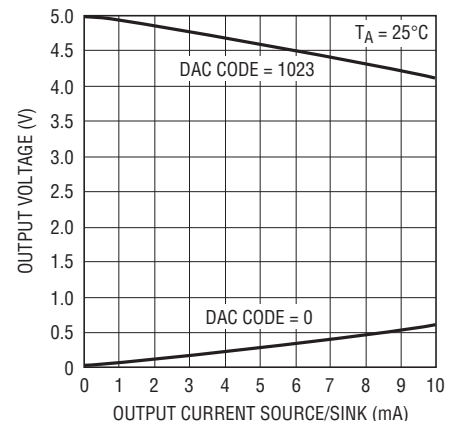
1663 G01

Differential Nonlinearity (DNL)



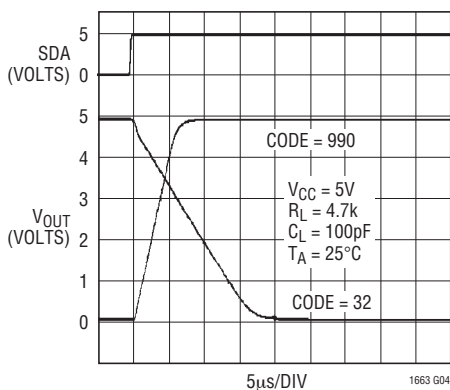
1663 G02

Source and Sink Current Capability with $V_{CC} = 5\text{V}$



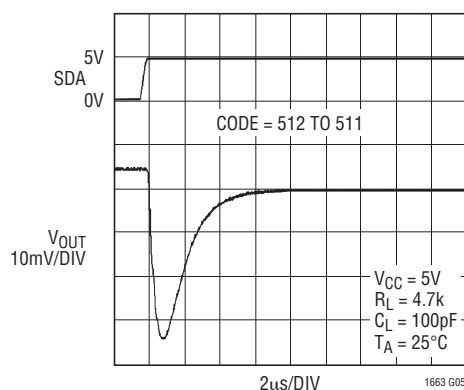
1663 G03

Large-Signal Step Response



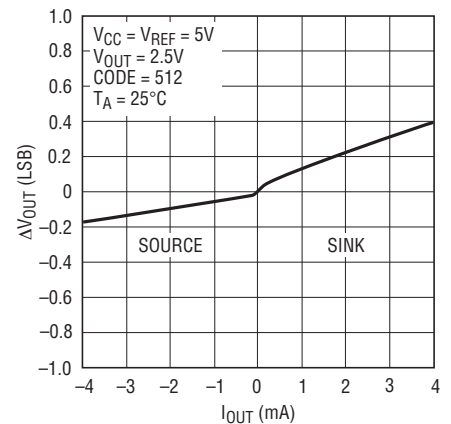
1663 G04

Midscale Glitch



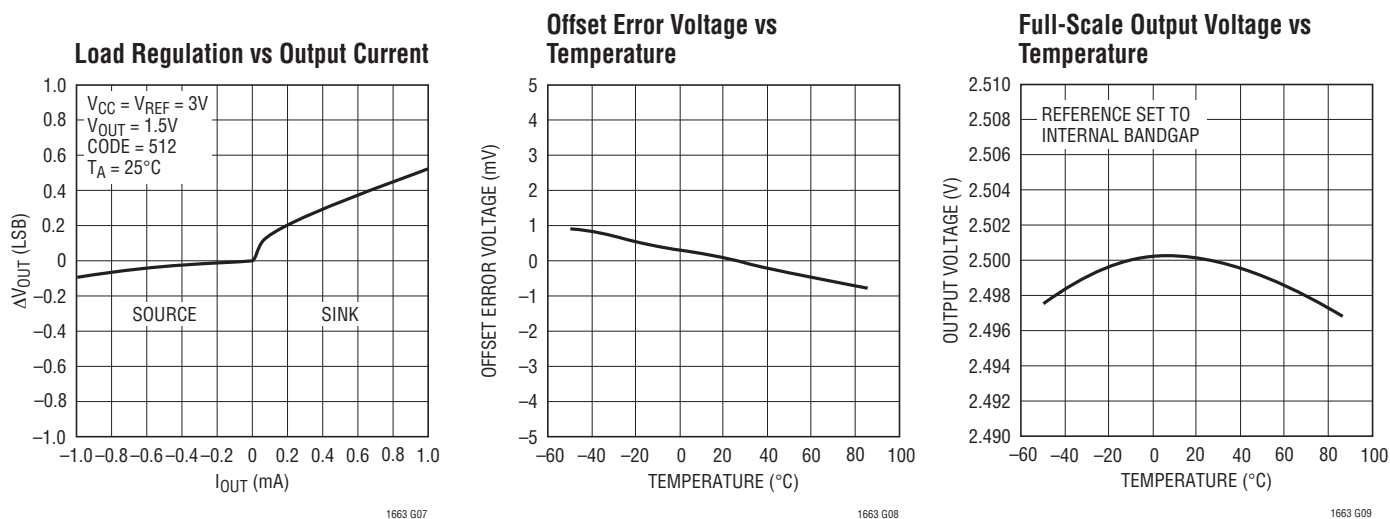
1663 G05

Load Regulation vs Output Current



1663fd
1663 G06

TYPICAL PERFORMANCE CHARACTERISTICS



PIN FUNCTIONS

SDA (Pin 1, Pin 1 on SOT-23): Serial Data Bidirectional Pin. Data is shifted into the SDA pin and acknowledged by the SDA pin. High impedance pin while data is shifted in. Open-drain N-channel output during acknowledgment. Requires a pull-up resistor or current source to V_{CC} .

AD1 (Pin 2): Slave Address Select Bit 1. Tie this pin to either V_{CC} or GND to modify the corresponding bit of the LTC1663's slave address.

AD2 (Pin 3): Slave Address Select Bit 2. Tie this pin to either V_{CC} or GND to modify the corresponding bit of the LTC1663's slave address.

SCL (Pin 4, Pin 5 on SOT-23): Serial Clock Input Pin. Data is shifted into the SDA pin at the rising edges of the clock. This high impedance pin requires a pull-up resistor or current source to V_{CC} .

V_{CC} (Pin 5, Pin 4 on SOT-23): Power Supply. $2.7V \leq V_{CC} \leq 5.5V$. Also used as the reference voltage input when the part is programmed to use V_{CC} as the reference.

AD0 (Pin 6): Slave Address Select Bit 0. Tie this pin to either V_{CC} or GND to modify the corresponding bit of the LTC1663's slave address.

GND (Pin 7, Pin 2 on SOT-23): System Ground.

V_{OUT} (Pin 8, Pin 3 on SOT-23): Voltage Output. Buffered rail-to-rail DAC output.

DEFINITIONS

Differential Nonlinearity (DNL): The difference between the measured change and the ideal 1LSB change for any two adjacent codes. The DNL error between any two codes is calculated as follows:

$$DNL = (\Delta V_{OUT} - LSB) / LSB$$

Where ΔV_{OUT} is the measured voltage difference between two adjacent codes.

Digital Feedthrough: The glitch that appears at the analog output caused by AC coupling from the digital inputs when they change state. The area of the glitch is specified in (nV)(sec).

Full-Scale Error (FSE): The deviation of the actual full-scale voltage from ideal. FSE includes the effects of offset and gain errors (see Applications Information).

DEFINITIONS

Integral Nonlinearity (INL): The deviation from a straight line passing through the endpoints of the DAC transfer curve (Endpoint INL). Because the output cannot go below zero, the linearity is measured between full scale and the lowest code that guarantees the output will be greater than zero. The INL error at a given input code is calculated as follows:

$$\text{INL} = [V_{\text{OUT}} - V_{\text{OS}} - (V_{\text{FS}} - V_{\text{OS}})(\text{code}/1023)]/\text{LSB}$$

Where V_{OUT} is the output voltage of the DAC measured at the given input code.

Least Significant Bit (LSB): The ideal voltage difference between two successive codes.

$$\text{LSB} = V_{\text{REF}}/1024$$

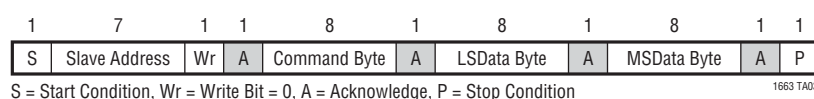
Resolution (n): Defines the number of DAC output states (2^n) that divide the full-scale range. Resolution does not imply linearity.

Voltage Offset Error (V_{OS}): Nominally, the voltage at the output when the DAC is loaded with all zeros. A single supply DAC can have a true negative offset, but the output cannot go below zero (see Applications Information).

For this reason, single supply DAC offset is measured at the lowest code that guarantees the output will be greater than zero.

APPLICATIONS INFORMATION

Write Word Protocol Used by the LTC1663



Serial Digital Interface

The LTC1663 communicates with a host (master) using the standard 2-wire interface. The Timing Diagram shows the timing relationship of the signals on the bus. The two bus lines, SDA and SCL, must be high when the bus is not in use. External pull-up resistors or current sources, such as the LTC1694 SMBus Accelerator, are required on these lines.

The LTC1663 is a receive-only (slave) device. The master can communicate with the LTC1663 using the Quick Command, Send Byte or Write Word protocols as explained later.

The START and STOP Conditions

When the bus is not in use, both SCL and SDA must be high. A bus master signals the beginning of a communication to a slave device by transmitting a START condition. A START condition is generated by transitioning SDA from high to low while SCL is high.

When the master has finished communicating with the slave, it issues a STOP condition. A STOP condition is generated by transitioning SDA from low to high while SCL is high. The bus is then free for communication with another SMBus device.

Acknowledge

The Acknowledge signal is used for handshaking between the master and the slave. An Acknowledge (active LOW) generated by the slave lets the master know that the latest byte of information was received. The Acknowledge related clock pulse is generated by the master. The master releases the SDA line (HIGH) during the Acknowledge clock pulse. The slave-receiver must pull down the SDA line during the Acknowledge clock pulse so that it remains a stable LOW during the HIGH period of this clock pulse.

Write Word Protocol

The master initiates communication with the LTC1663 with a START condition and a 7-bit address followed by the Write

APPLICATIONS INFORMATION

Bit (Wr) = 0. The LTC1663 acknowledges and the master delivers the command byte. The LTC1663 acknowledges and latches the command byte into the command byte input register. The master then delivers the least significant data byte. Again the LTC1663 acknowledges and the data is latched into the least significant data byte input register. The master then delivers the most significant data byte. The LTC1663 acknowledges once more and latches the data into the most significant data byte input register. Lastly, the master terminates the communication with a STOP condition. On the reception of the STOP condition, the LTC1663 transfers the input register information to output registers and the DAC output is updated.

Slave Address (MSOP Package Only)

The LTC1663 can respond to one of eight 7-bit addresses. The first 4 bits (MSBs) have been factory programmed to 0100. The first 4 bits of the LTC1663-8 have been factory programmed to 0011. The three address bits, AD2, AD1 and AD0 are programmed by the user and determine the LSBs of the slave address, as shown in the table below:

			LTC1663	LTC1663-8
AD2	AD1	AD0	0100 xxx	0011 xxx
L	L	L	0100 000	0011 000
L	L	H	0100 001	0011 001
L	H	L	0100 010	0011 010
L	H	H	0100 011	0011 011
H	L	L	0100 100	0011 100
H	L	H	0100 101	0011 101
H	H	L	0100 110	0011 110
H	H	H	0100 111	0011 111

Slave Address (SOT-23 Package)

The slave address for the SOT-23 package has been factory programmed to be “0100 000” (LTC1663), “0100 001” (LTC1663-1) and “0100 010” (LTC1663-2) If another address is required, please consult the factory.

Command Byte

7	6	5	4	3	2	1	0
X	X	X	X	X	BG	SD	SY

SY	1 0	Allows update on Acknowledge of SYNC Address only Update on Stop condition only (Power-On Default)
SD	1 0	Puts the device in power-down mode Puts the device in standard operating mode (Power-On Default)
BG	1 0	Selects the internal bandgap reference Selects the supply as the reference (Power-On Default)
X	X	Don't Care

The stop condition normally initiates the update of the DAC's output latches. Simultaneous update of more than one DAC or other devices on the bus can be achieved by reissuing new start bit, address, command and data bytes before issuing a final stop condition (which will update all the devices). An alternate way to achieve simultaneous LTC1663 updates is to override the stop condition update by setting the “SY” bit of the command byte. Setting this bit sets the device to update the DAC output latches only at the reception of a SYNC address quick command. The actual update occurs on the rising edge of SCL during the Acknowledge. In this way, all devices can update on the reception of the SYNC address quick command instead of the STOP condition.

A Shutdown (SD) bit = HIGH will put the device in a low power state but retain all data latch information. Shutdown will occur at the reception of a STOP condition. This way shutdown could be synchronized to other devices. The output impedance of the DAC will go to a high impedance state ($\approx 500k\Omega$ to GND).

The Bandgap (BG) bit when set to “0” selects the DAC supply voltage as its voltage reference. The full-scale output of the DAC with this setting is equal to the supply voltage. When the BG bit is set to “1,” the internal bandgap reference ($\approx 1.25V$) is selected as the DAC's reference. The full-scale output voltage for this setting is 2.5V.

APPLICATIONS INFORMATION

Data Bytes

Least Significant Data Byte

7	6	5	4	3	2	1	0
D7	D6	D5	D4	D3	D2	D1	D0

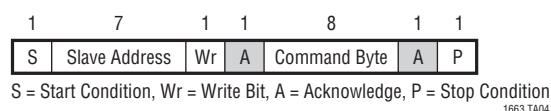
Most Significant Data Byte

7	6	5	4	3	2	1	0
X	X	X	X	X	X	D9	D8

X = Don't care

Send Byte Protocol

The Send Byte protocol used on the LTC1663 is actually a subset of the Write Word protocol described previously. The Send Byte protocol can only be used to send the command byte information to the LTC1663.



The Send Byte protocol is also used whenever the Write Word protocol is interrupted for any reason. Reception of a START or STOP condition after the Acknowledge of the command byte, but before the Acknowledge of the last data byte, will cause both data bytes to be ignored and the command byte to be accepted.

Reception of a START or STOP condition before the Acknowledge of the command byte will cause the interrupted command byte to be ignored.

SYNC Address/Quick Command

In addition to the slave address, the LTC1663 has an address that can be shared by other devices so that they may be updated synchronously. The address is called to the SYNC address and uses the quick command protocol.

The SYNC Address is 1111 110



SY/CLR	1	Update output latches on rising edge of SCL during Acknowledge of SYNC Address
	0	Clear all internal latches on rising edge of SCL during Acknowledge of SYNC Address

The SY/CLR bit set high only has meaning when the “SY” bit of the command byte was previously set HIGH. On the otherhand, the SY/CLR bit set LOW will always clear the part, independent of the state of the “SY” bit in the command byte.

Input Threshold

Anticipating the trend toward lower supply voltages, the SMBus is specified with a V_{IH} of 1.4V and a V_{IL} of 0.6V. While some SMBus parts may violate this stringent SMBus specification by allowing a higher V_{IH} value for a correspondingly higher input supply voltage, the LTC1663 meets and maintains the constant SMBus input threshold specification across the entire supply voltage range of 2.7V to 5.5V. The logic input threshold is designed to be 1V with 50mV of hysteresis.

Voltage Output

The output amplifier contained in the LTC1663 can source or sink up to 5mA. The output stage swings to within a few millivolts of either supply rail when unloaded and has an equivalent output resistance of 85 Ω when driving a load to the rails. The output amplifier is stable driving capacitive loads up to 1000pF.

A small resistor placed in series with the output can be used to achieve stability for any load capacitance greater than 1000pF. For example, a 0.1 μ F load can be driven by the LTC1663 if a 110 Ω series resistance is used. The phase margin of the resulting circuit is 45° and increases monotonically from this point if larger values of resistance, capacitance or both are substituted for the values given.

Rail-to-Rail Output Considerations

As in any rail-to-rail device, the output is limited to voltages within the supply range.

If the DAC offset is negative, the output for the lowest codes limits at 0V as shown in Figure 1b.

Similarly, limiting can occur near full scale when V_{CC} is used as the reference. If $V_{REF} = V_{CC}$ and the DAC full-scale error (FSE) is positive, the output for the highest codes limits at V_{CC} as shown in Figure 1c. No full-scale limiting can occur if the internal reference is used.

APPLICATIONS INFORMATION

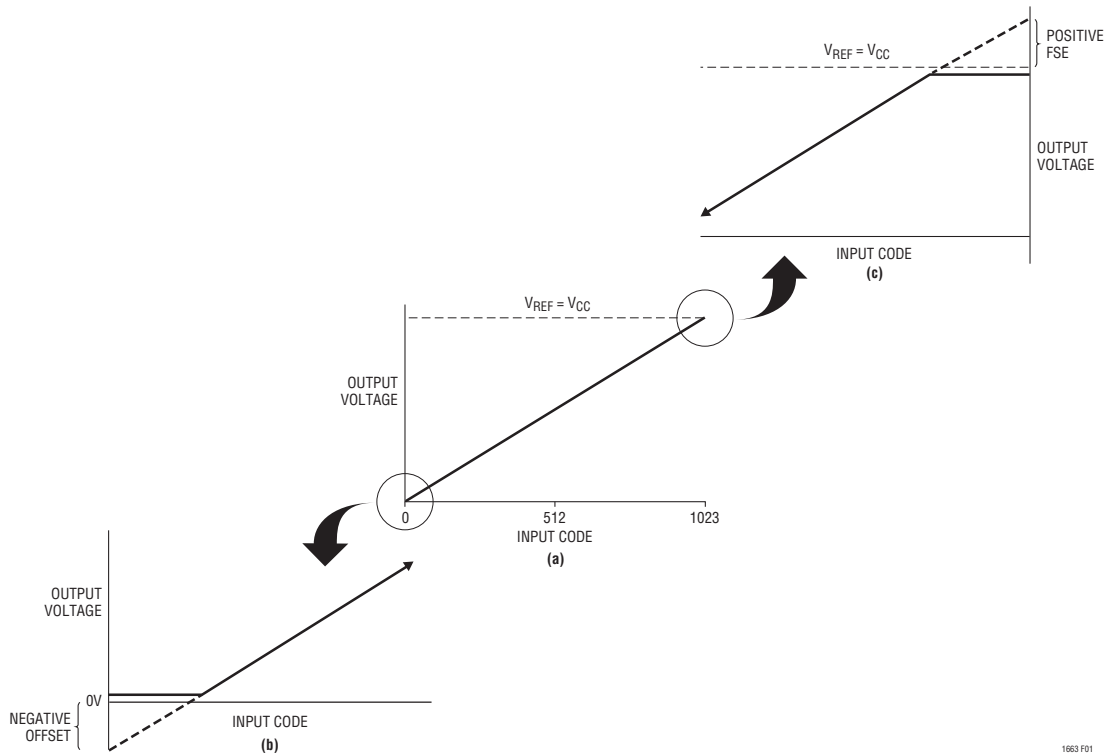


Figure 1. Effects of Rail-to-Rail Operation On a DAC Transfer Curve. (a) Overall Transfer Function (b) Effect of Negative Offset for Codes Near Zero Scale (c) Effect of Positive Full-Scale Error for Input Codes Near Full Scale When $V_{REF} = V_{CC}$

Offset and linearity are defined and tested over the region of the DAC transfer function where no output limiting can occur.

Internal Reference

In applications where a predictable output is required that is independent of supply voltage, the LTC1663 has a user-selectable internal reference. Selecting the internal reference will set the full-scale output voltage to 2.5V. This can be useful in applications where the supply voltage is poorly regulated.

Using the LT[®]1460 Micropower Series Reference as a Power Supply for the LTC1663

In applications where the advantages of using the internal reference are required but the full-scale range needs to be greater than 2.5V, an external series reference can be

used. The LT1460 is ideal for use as a power supply for the LTC1663 and can provide 3V, 3.3V and 5V full-scale output voltage ranges. The LT1460 provides accuracy, noise immunity and extended supply range to the LTC1663 when the LTC1663 is operated ratiometric to V_{CC} . Since both parts are available in SOT-23 packages, the PC board space for this application is extremely small. See Figure 2.

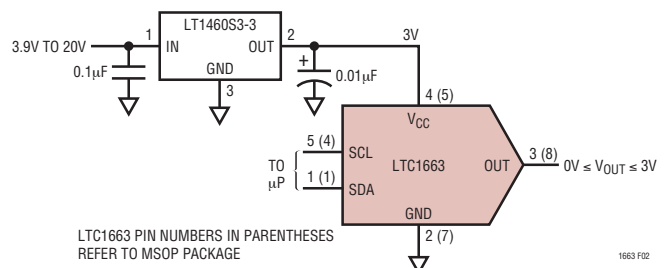
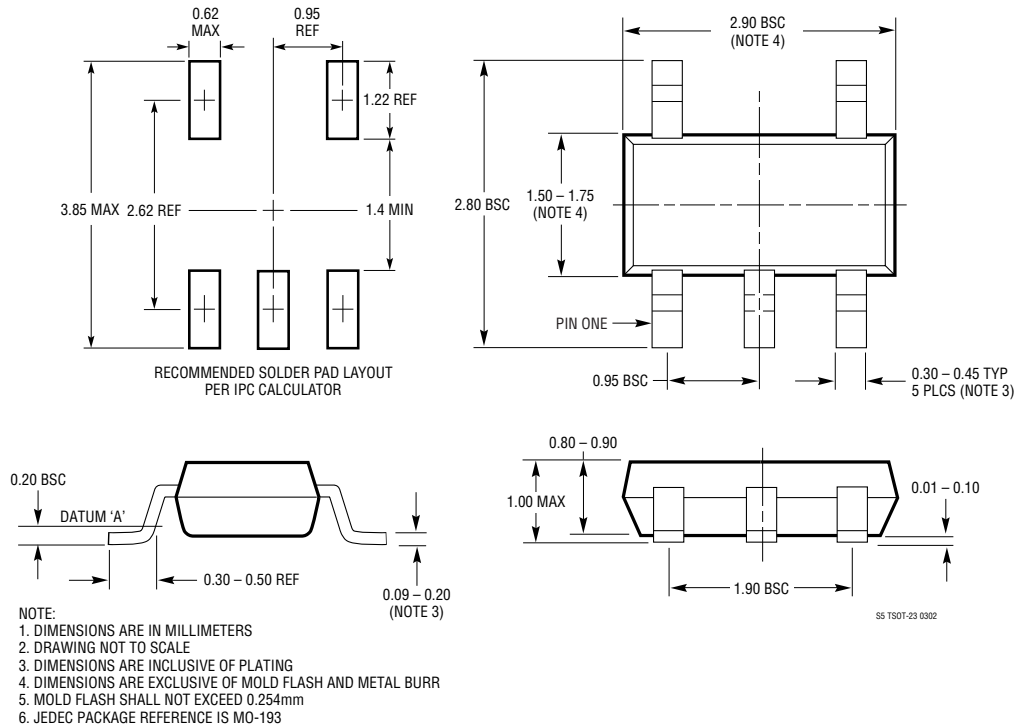


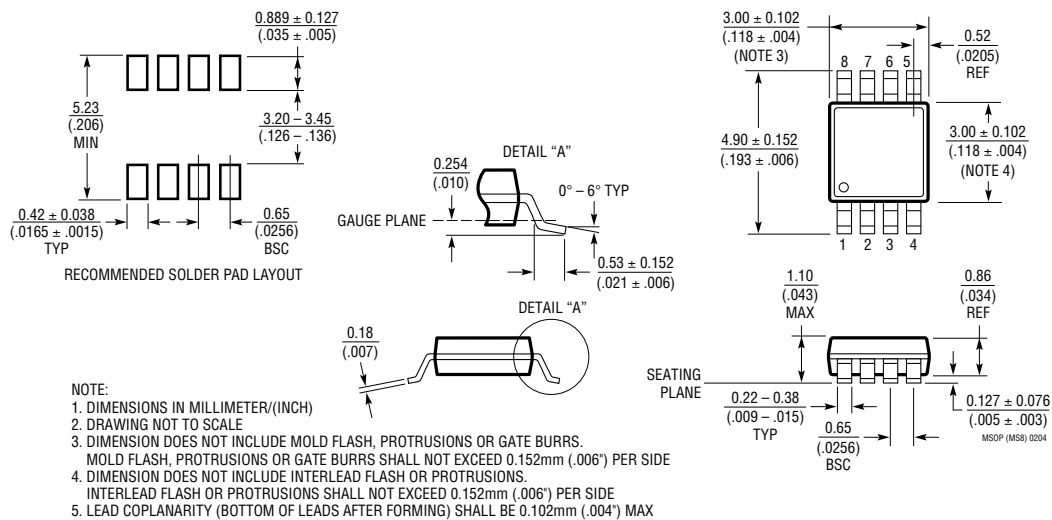
Figure 2. LT1460 As Power Supply for the LTC1663

PACKAGE DESCRIPTION

S5 Package 5-Lead Plastic TSOT-23 (Reference LTC DWG # 05-08-1635)

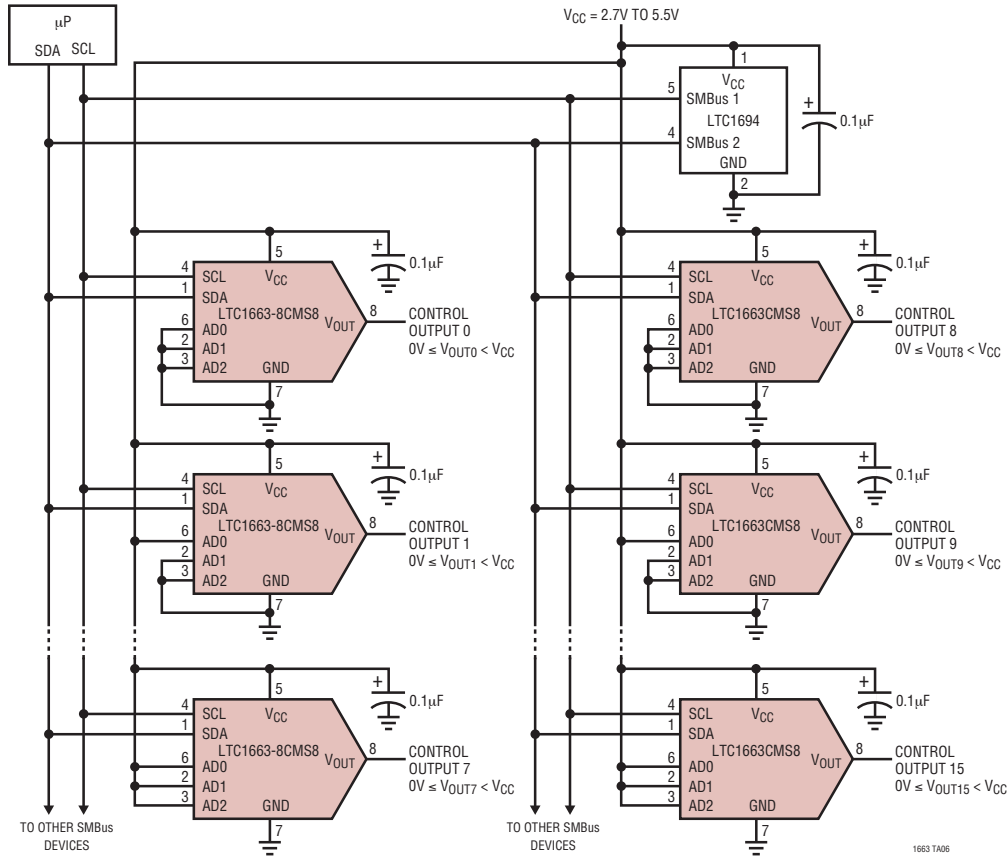


MS8 Package 8-Lead Plastic MSOP (Reference LTC DWG # 05-08-1660)



TYPICAL APPLICATION

Program Up to 8 Control Outputs Per BUS (8 LTC1663 and 8 LTC1663-8 DACs) and Place Them Where They Are Needed



RELATED PARTS

PART NUMBER	DESCRIPTION	COMMENTS
LTC1694	SMBus I ² C Accelerator	Dual SMBus Accelerator with Active AC and DC Pull-Up Current Sources
LTC1694-1	SMBus I ² C Accelerator	Dual SMBus Accelerator with Active AC Pull-Up Current Only
DACs		
LTC1659	Single Rail-to-Rail 12-Bit V _{OUT} DAC in 8-Lead MSOP Package. V _{CC} = 2.7V to 5.5V	Low Power Multiplying V _{OUT} DAC. Output Swings from GND to REF. REF Input Can Be Tied to V _{CC} . 3-Wire Interface.
LTC1660/LTC1664	Octal/Quad 10-Bit V _{OUT} DACs in 16-Pin Narrow SSOP	V _{CC} = 2.7V to 5.5V Micropower Rail-to-Rail Output. 3-Wire Interface
LTC1661	Dual 10-Bit V _{OUT} in 8-Lead MSOP Package	V _{CC} = 2.7V to 5.5V Micropower Rail-to-Rail Output. 3-Wire Interface.
LTC1669	10-Bit V _{OUT} DAC in SOT-23, I ² C Interface	Pin-Compatible with LTC1663
ADCs		
LTC1285/LTC1288	8-Pin SO, 3V Micropower ADCs	1- or 2-Channel, Autoshtutdown
LTC1286/LTC1298	8-Pin SO, 5V Micropower ADCs	1- or 2-Channel, Autoshtutdown
LTC1594/LTC1598	4/8-Channel, 5V Micropower 12-Bit ADCs	Low Power, Small Size, Low Cost

Digital-to-Analog Converters (DAC)

- Voltage Output DACs
- Current Output DACs
- High Speed DACs
- Special Function DACs

Home > Products > Data Conversion > Digital-to-Analog Converters (DAC) > Voltage Output DACs > LTC1663

LTC1663 - 10-Bit Rail-to-Rail Micropower DAC with 2-Wire Interface

FEATURES DESCRIPTION PACKAGING ORDER INFO SIMULATE

Order Now

Buy →

[Request Samples](#)

Documentation

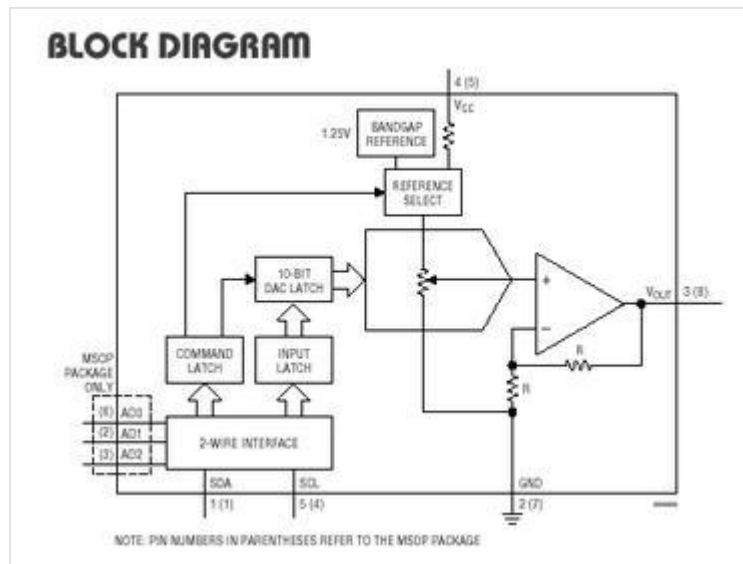
- Datasheet [LTC1663 - 10-Bit Rail-to-Rail Micropower DAC with 2-Wire Interface](#)
- Design Note [DN273 Fiber Optic Communication System from Tiny, Low Noise Photodiode Bias Supply](#)
- LT Chronicle [Apr 2003 Optical Network Power](#)
- [May 2003 Backplane Power](#)
- [Oct 2003 Test and Measurement](#)
- [Sep 2002 Industrial Control](#)
- Reliability Data [R380 Reliability Data](#)

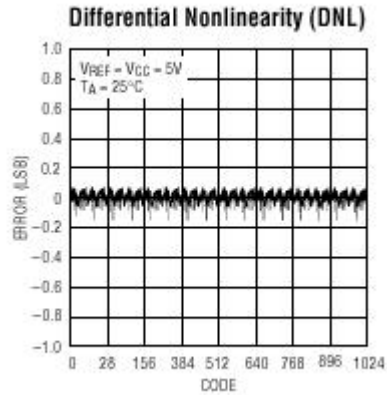
MyLinear Sign Up
For a MyLinear Account >

FEATURES

- Micropower 10-Bit DAC in SOT-23
- Low Operating Current: 60µA
- Ultralow Power Shutdown Mode: 10µA
- 2-Wire Serial Interface Compatible with SMBus and I²C
- Selectable Internal Reference or Ratiometric to V_{CC}
- Maximum DNL Error: 0.75LSB
- 8 User Selectable Addresses (MSOP Package)
- Single 2.7V to 5.5V Operation
- Buffered True Rail-to-Rail Voltage Output
- Power-On Reset
- 0.6V V_{IL} and 1.4V V_{IH} for SDA and SCL
- Small 5-Lead SOT-23 and 8-Lead MSOP Packages

TYPICAL APPLICATION





[BACK TO TOP](#)

DESCRIPTION

The LTC1663 is a 10-bit voltage output DAC with true buffered rail-to-rail output voltage capability. It operates from a single supply with a range of 2.7V to 5.5V. The reference for the DAC is selectable between the supply voltage or an internal bandgap reference. Selecting the internal bandgap reference will set the full-scale output voltage range to 2.5V. Selecting the supply as the reference sets the output voltage range to the supply voltage. The part features a simple 2-wire serial interface compatible with SMBus and I²C that allows communication between many devices. The internal data registers are double buffered to allow for simultaneous update of several devices at once. The DAC can be put in low current power-down mode for use in power conscious systems.

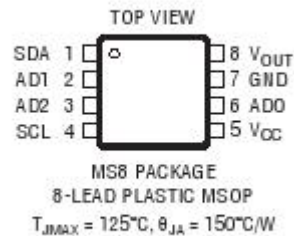
Power-on reset ensures the DAC output is at 0V when power is initially applied, and all internal registers are cleared.

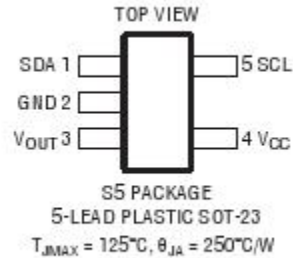
For I2C designs, please refer to the LTC1669.

[BACK TO TOP](#)

PACKAGING

SOT-23, MSOP-8





[BACK TO TOP](#)

ORDER INFO

Part numbers ending in PBF are [lead free](#). Please contact LTC marketing for information on lead based finish parts.

Part numbers containing TR or TRM are shipped in [tape and reel](#) or [500 unit mini tape and reel](#), respectively

Please refer to our [general ordering information](#) or the product datasheet for more details

Package Variations and Pricing

Part Number	Package	Pins	Temp	Price (1-99)	Price (1k)*	RoHS Data
LTC1663-1CS5	SOT	5	C	\$2.16	\$1.75	View
LTC1663-1CS5#PBF	SOT	5	C	\$2.16		View
LTC1663-1CS5#TR	SOT	5	C	\$2.16	\$1.80	View
LTC1663-1CS5#TRM	SOT	5	C	\$2.16	\$1.82	View
LTC1663-1CS5#TRMPBF	SOT	5	C	\$2.16	\$1.82	View
LTC1663-1CS5#TRMPBF	SOT	5	C	\$2.16	\$1.80	View
LTC1663-2CS5	SOT	5	C	\$2.16	\$1.75	View
LTC1663-2CS5#PBF	SOT	5	C	\$2.16		View
LTC1663-2CS5#TR	SOT	5	C	\$2.16	\$1.80	View
LTC1663-2CS5#TRM	SOT	5	C	\$2.16	\$1.82	View
LTC1663-2CS5#TRMPBF	SOT	5	C	\$2.16	\$1.82	View
LTC1663-2CS5#TRMPBF	SOT	5	C	\$2.16	\$1.80	View
LTC1663-8CMS8	MSOP	8	C	\$2.50	\$1.75	View
LTC1663-8CMS8#PBF	MSOP	8	C	\$2.50	\$1.75	View
LTC1663-8CMS8#TR	MSOP	8	C		\$1.81	View
LTC1663-8CMS8#TRPBF	MSOP	8	C		\$1.81	View
LTC1663-8IMS8	MSOP	8	I	\$2.95	\$1.95	View
LTC1663-8IMS8#PBF	MSOP	8	I	\$2.95	\$1.95	View
LTC1663-8IMS8#TR	MSOP	8	I		\$2.01	View
LTC1663-8IMS8#TRPBF	MSOP	8	I		\$2.01	View
LTC1663CMS8	MSOP	8	C	\$2.10	\$1.75	View
LTC1663CMS8#PBF	MSOP	8	C	\$2.10	\$1.75	View

LTC1663CMS8#TR	MSOP	8	C		\$1.81	View
LTC1663CMS8#TRPBF	MSOP	8	C		\$1.81	View
LTC1663CS5	SOT	5	C	\$2.16	\$1.75	View
LTC1663CS5#PBF	SOT	5	C	\$2.16	\$1.75	View
LTC1663CS5#TR	SOT	5	C	\$2.16	\$1.80	View
LTC1663CS5#TRM	SOT	5	C	\$2.16	\$1.82	View
LTC1663CS5#TRMPBF	SOT	5	C	\$2.16	\$1.82	View
LTC1663CS5#TRPBF	SOT	5	C	\$2.16	\$1.80	View
LTC1663ES5	SOT	5	E	\$2.82	\$1.93	View
LTC1663ES5#PBF	SOT	5	E	\$2.82	\$1.93	View
LTC1663ES5#TR	SOT	5	E	\$2.82	\$1.98	View
LTC1663ES5#TRM	SOT	5	E	\$2.82	\$2.00	View
LTC1663ES5#TRMPBF	SOT	5	E	\$2.82	\$2.00	View
LTC1663ES5#TRPBF	SOT	5	E	\$2.82	\$1.98	View
LTC1663IMS8	MSOP	8	I	\$2.30	\$1.95	View
LTC1663IMS8#PBF	MSOP	8	I	\$2.30	\$1.95	View
LTC1663IMS8#TR	MSOP	8	I		\$2.01	View
LTC1663IMS8#TRPBF	MSOP	8	I		\$2.01	View
Buy Now						
Request Samples						

* The USA list pricing shown is for BUDGETARY USE ONLY, shown in United States dollars (FOB USA per unit for the stated volume), and is subject to change. International prices may differ due to local duties, taxes, fees and exchange rates. For volume-specific price or delivery quotes, please contact your local Linear Technology [sales office or authorized distributor](#).

[BACK TO TOP](#)

APPLICATIONS

Digital Calibration
Offset/Gain Adjustment
Industrial Process Control
Automatic Test Equipment
Arbitrary Function Generators
Battery-Powered Data Conversion Products

[BACK TO TOP](#)

SIMULATE

To simulate selected Linear Technology products, please download [LTSpice / SwitcherCAD III](#). This powerful schematic capture and simulation tool includes macro models for 80% of Linear Technology's switching regulators, over 200 op amp models, as well as resistors, transistors and MOSFET models.

For other simulation tools, visit our [Design Simulation and Device Models](#) page.

[BACK TO TOP](#)