

Type: EE1621/MS

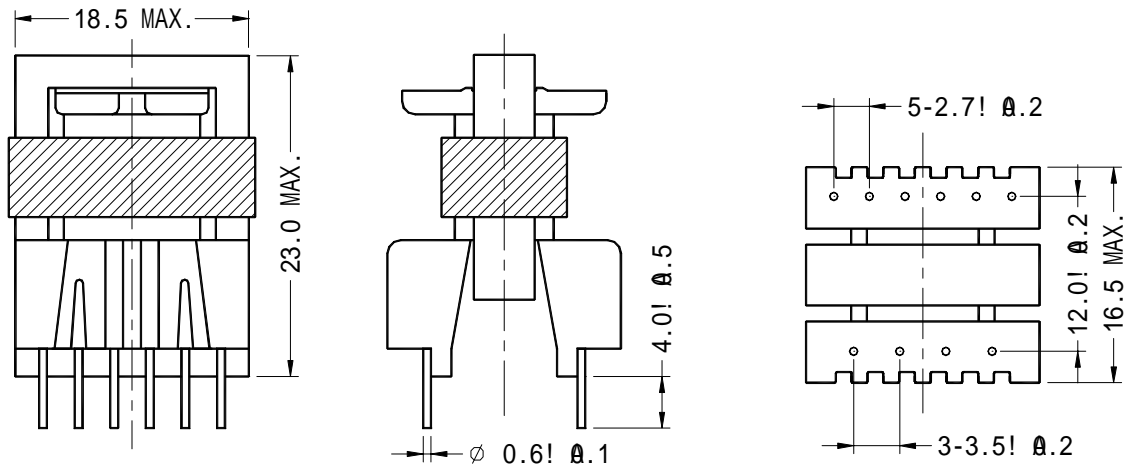
Product Description

- 23.0 × 16.5mm Max.(L × W), 23.0mm Max. Height.
- In addition to the typical versions of parameters shown here, custom designs are available to meet your exact requirements

Feature

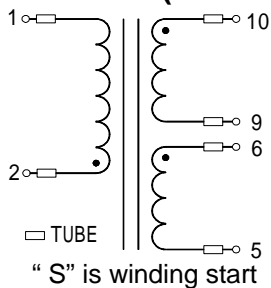
- Max. Operating frequency 300kHz.
- Ideally used in EL inverter, camera. Switching regulator.
- RoHS Compliance

Dimensions (mm)



"" INDICATES COPPER FOIL

Schematics (Bottom)



Specification

| Sample No. | Inductance (2-1) 100kHz/1V | Inductance (2-1) 100kHz/1V | Hi-pot (1,2-5,6,9,10)/1.0mA |
|------------|-------------------------------|-------------------------------|--------------------------------|
| 04MMS092B | 1.8mH ± 7% | 55.0µH Max. | AC 4000Vrms/3sec. |