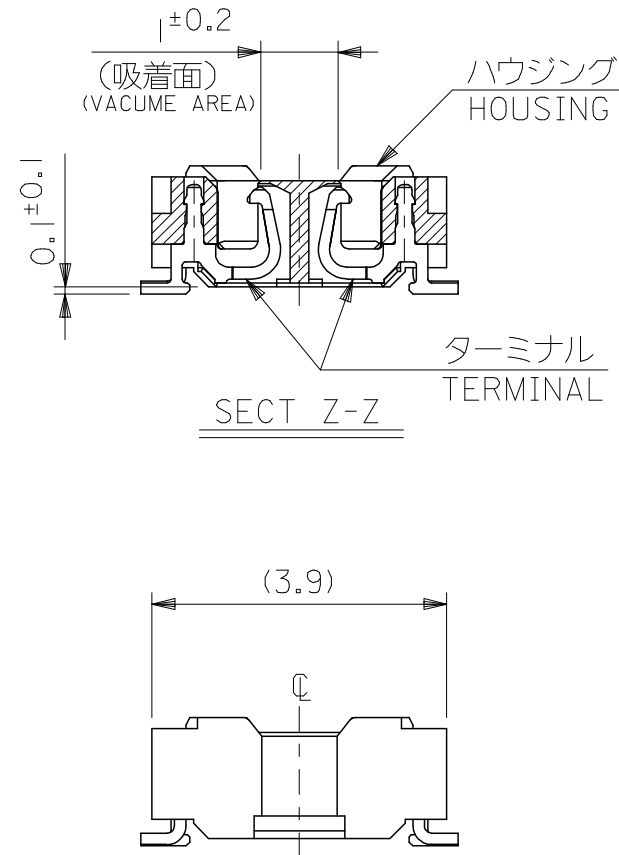
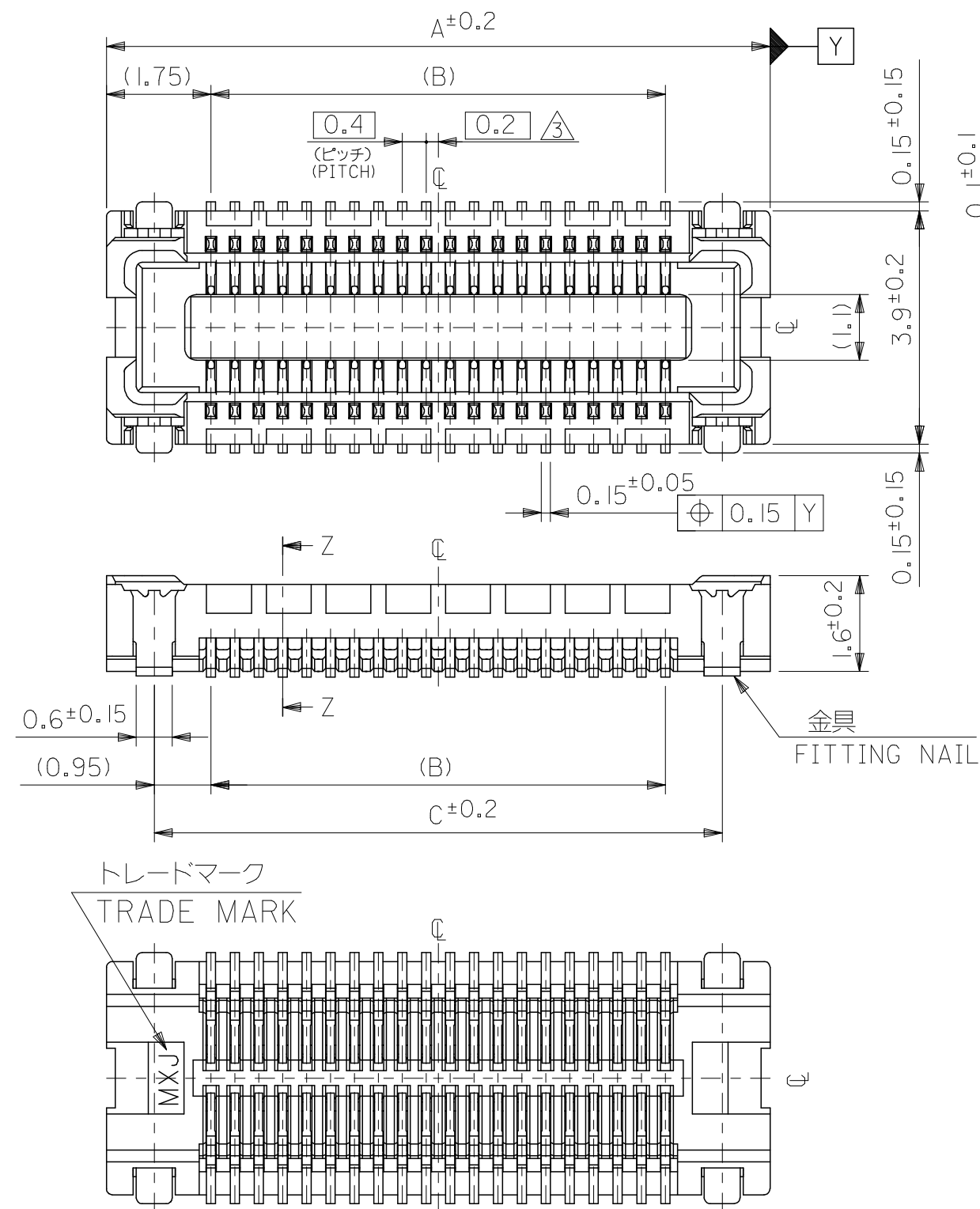


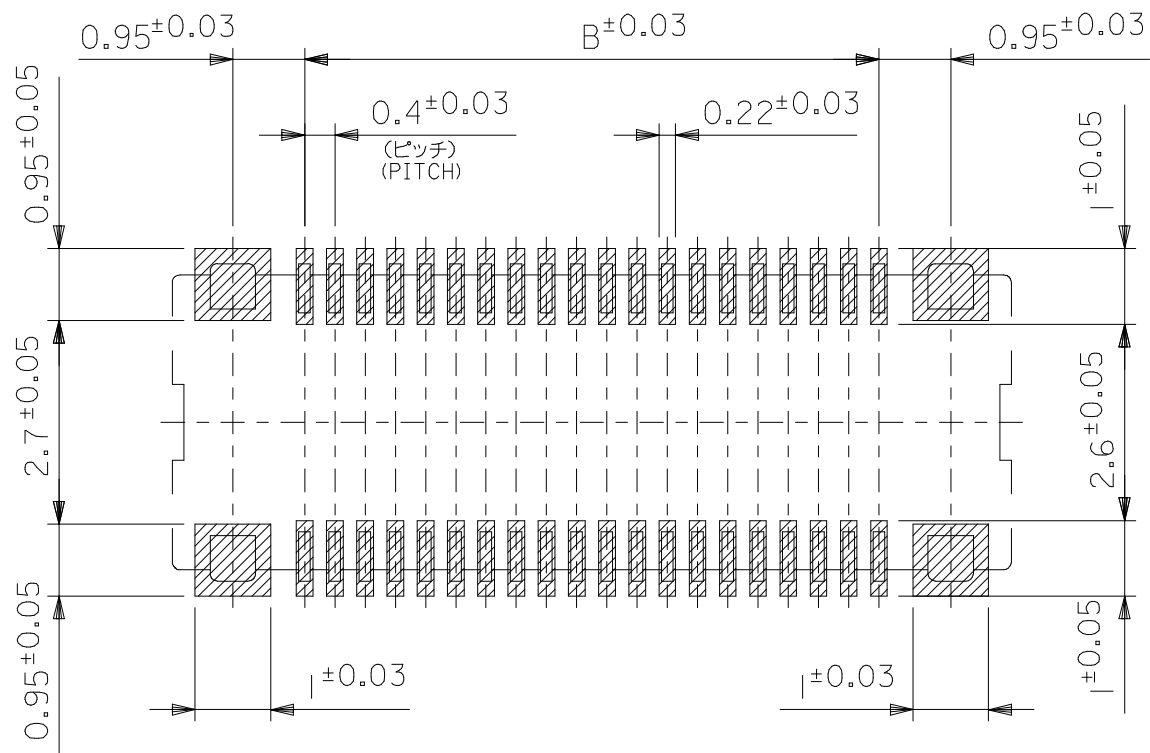
注記 NOTES:

- 使用材料 MATERIAL  
 ハウジング: 液晶ポリマー (LCP) ガラス充填 UL94V-0 (黒)  
 HOUSING: LIQUID CRYSTAL POLYMER (GLASS FILLED)  
 UL94V-0 (COLOR: BLACK)  
 ターミナル: リン青銅 (t=0.15)  
 TERMINAL: PHOSPHOR BRONZE (t=0.15)  
 金具: リン青銅 (t=0.15)  
 FITTING NAIL: PHOSPHOR BRONZE (t=0.15)
  - メッキ仕様 PLATING  
 ターミナル TERMINAL  
 金メッキ 0.2マイクロメートル以上 (コンタクト部)  
 GOLD 0.2MICROMETER MINIMUM (CONTACT AREA)  
 金メッキ 0.4マイクロメートル以下 (テール部)  
 GOLD 0.4MICROMETER MAXIMUM (TAIL AREA)  
 下地メッキ: ニッケルメッキ 1.5マイクロメートル以上  
 UNDER PLATING: NICKEL 1.5MICROMETER MINIMUM  
 \*コンタクト部とテール部はニッケルメッキによって分断されている金メッキです。  
 DIVIDE INTO PARTS THE GOLD PLATING OF THE CONTACT AND THE TAIL PART BY THE NICKEL PLATING.  
 金具 FITTING NAIL  
 錫メッキ 1.0マイクロメートル以上  
 TIN PLATING 1.0MICROMETER MINIMUM  
 下地メッキ: ニッケルメッキ 1.0マイクロメートル以上  
 UNDER PLATING: NICKEL 1.0MICROMETER MINIMUM
- △3 (全極数/2) = 偶数の場合に適用。  
 APPLY FOR (CIRCUIT/2) = EVEN.
- 嵌合相手: 55909シリーズ  
 MATE WITH: 55909 SERIES.
  - テール及び金具の平坦度は、0.1以下  
 TAIL AND FITTING NAIL COPLANARITY TO BE 0.1 MAXIMUM

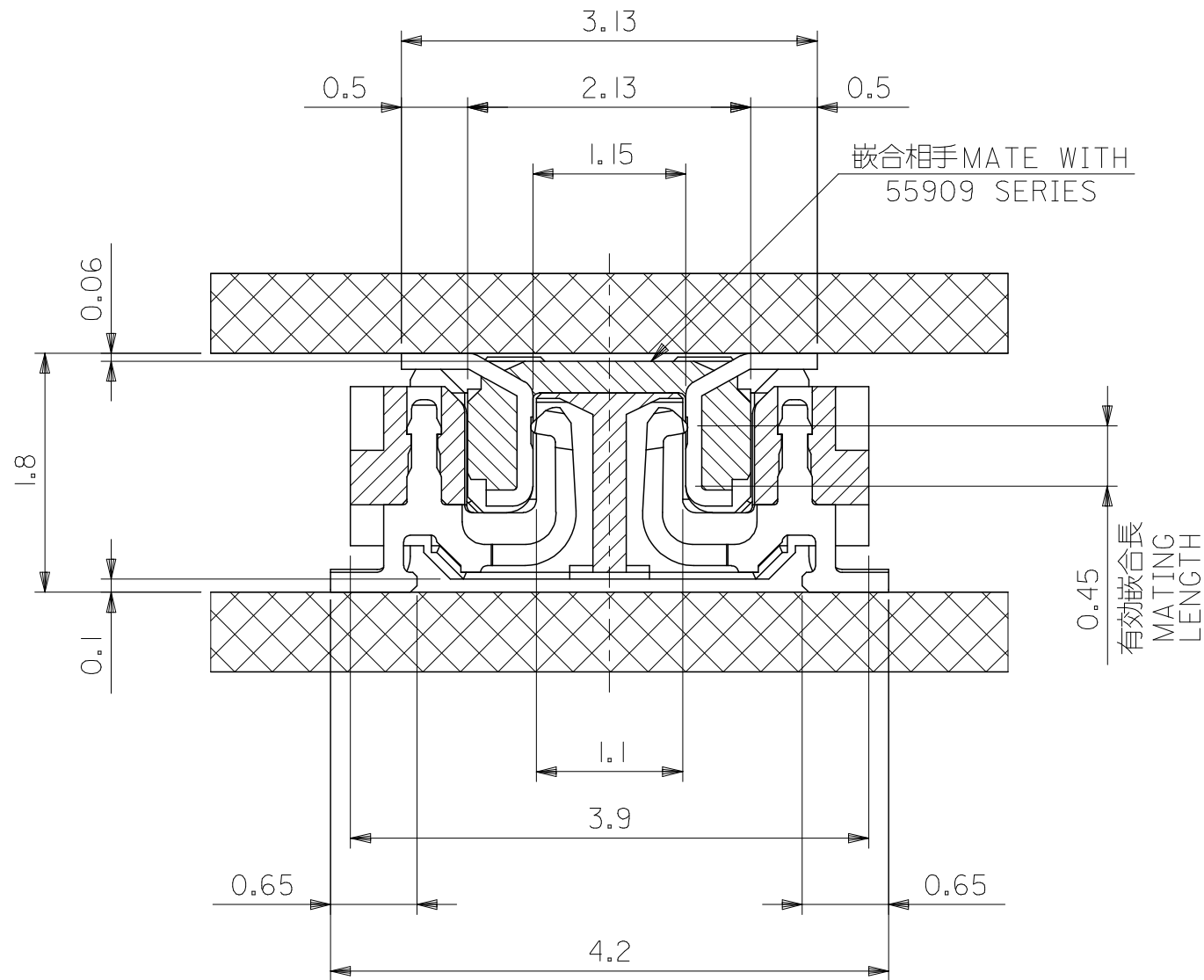


21.5	19.6	23.1	500913-1008	100
19.5	17.6	21.1	500913-0908	90
15.5	13.6	17.1	500913-0708	70
13.5	11.6	15.1	500913-0608	60
11.5	9.6	13.1	500913-0508	50
9.5	7.6	11.1	500913-0408	40
7.5	5.6	9.1	500913-0308	30
6.3	4.4	7.9	500913-0248	24
C	B	A	MATERIAL NO.	CIRCUIT

REVISED EC NO: J2007-1419 DRWN: MNABEI 2006/11/16 CHKD: KTOYODA 2006/11/20 APPR: NUKITA 2006/11/21	DESCRIPTION	GENERAL TOLERANCES (UNLESS SPECIFIED)		DIMENSION STYLE MM ONLY		500913-***8		MODEL NO.		
		10 UNDER ±---		DRAWN BY R. SUMIYA	DATE 2004/04/19	SCALE 10:1	DESIGN UNITS METRIC	THIRD ANGLE PROJECTION		
		10 <sup>OVER</sup> 30 UNDER ±---		CHECKED BY M. SASAO	DATE 2004/04/19	TITLE 0.4 B-TO-B CONN REC HSG ASSY (HGT=1.8MM) -LEAD FREE-				
		30 <sup>OVER</sup> ±---		APPROVED BY M. SASAO	DATE 2004/04/19					
		ANGULAR ±--- °		MATERIAL NO.		SEE CHART		DOCUMENT NO. SD-500913-001		SHEET NO. 1 OF 2
DRAFT WHERE APPLICABLE MUST REMAIN WITHIN DIMENSIONS		SIZE A3	THIS DRAWING CONTAINS INFORMATION THAT IS PROPRIETARY TO MOLEX INCORPORATED AND SHOULD NOT BE USED WITHOUT WRITTEN PERMISSION							

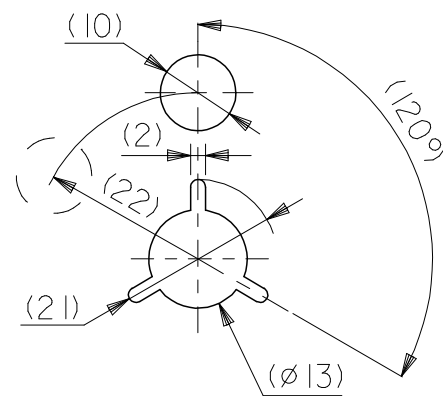
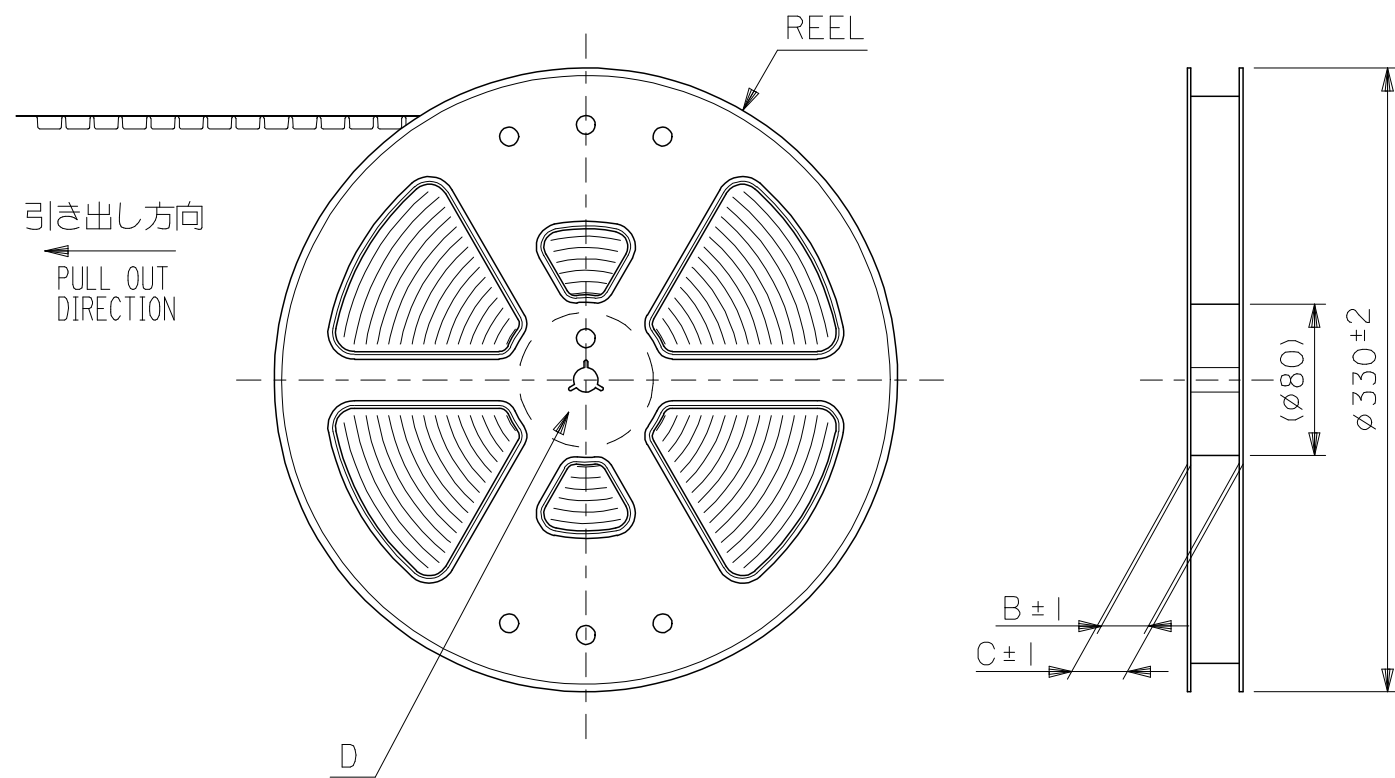


参考基板レイアウト (マウント面)  
 P.C.BOARD PATTERN DIMENSION. (REFERENCE)  
 (MOUNTING AREA)



嵌合断面図 (参考)  
 MATED DRAWING (REFERENCE)

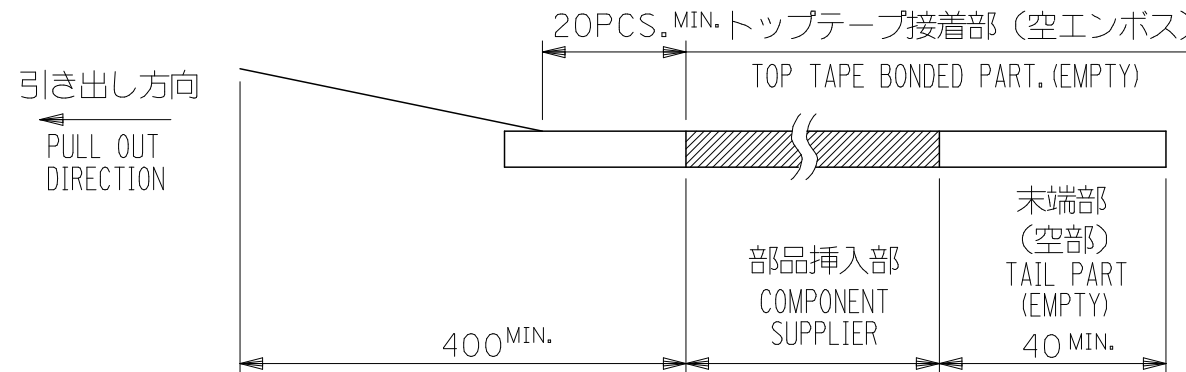
REVISED EC NO: J2007-1419 DRWN: MNABEI 2006/11/16 CH'KD: KTOYODA 2006/11/20 APPR: NUKITA 2006/11/21	DESCRIPTION GENERAL TOLERANCES (UNLESS SPECIFIED)	DIMENSION STYLE MM ONLY		500913-***8 SCALE --- DESIGN UNITS METRIC		MODEL NO.	
		10 UNDER ± ---	DRAWN BY R. SUMIYA DATE 2004/04/19	TITLE 0.4 B-TO-B CONN REC HSG ASSY (HGT=1.8MM) -LEAD FREE-			
		10 OVER 30 UNDER ± ---	CHECKED BY M. SASAO DATE 2004/04/19				
		30 OVER ± ---	APPROVED BY M. SASAO DATE 2004/04/19	MOLEX INCORPORATED			
		ANGULAR ± --- °	MATERIAL NO. SEE CHART				
DRAFT WHERE APPLICABLE MUST REMAIN WITHIN DIMENSIONS	THIS DRAWING CONTAINS INFORMATION THAT IS PROPRIETARY TO MOLEX INCORPORATED AND SHOULD NOT BE USED WITHOUT WRITTEN PERMISSION						



DETAIL D

NOTES

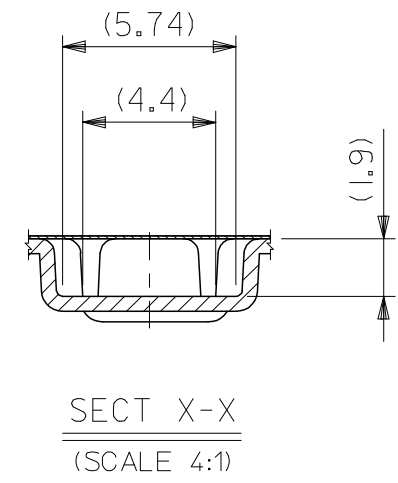
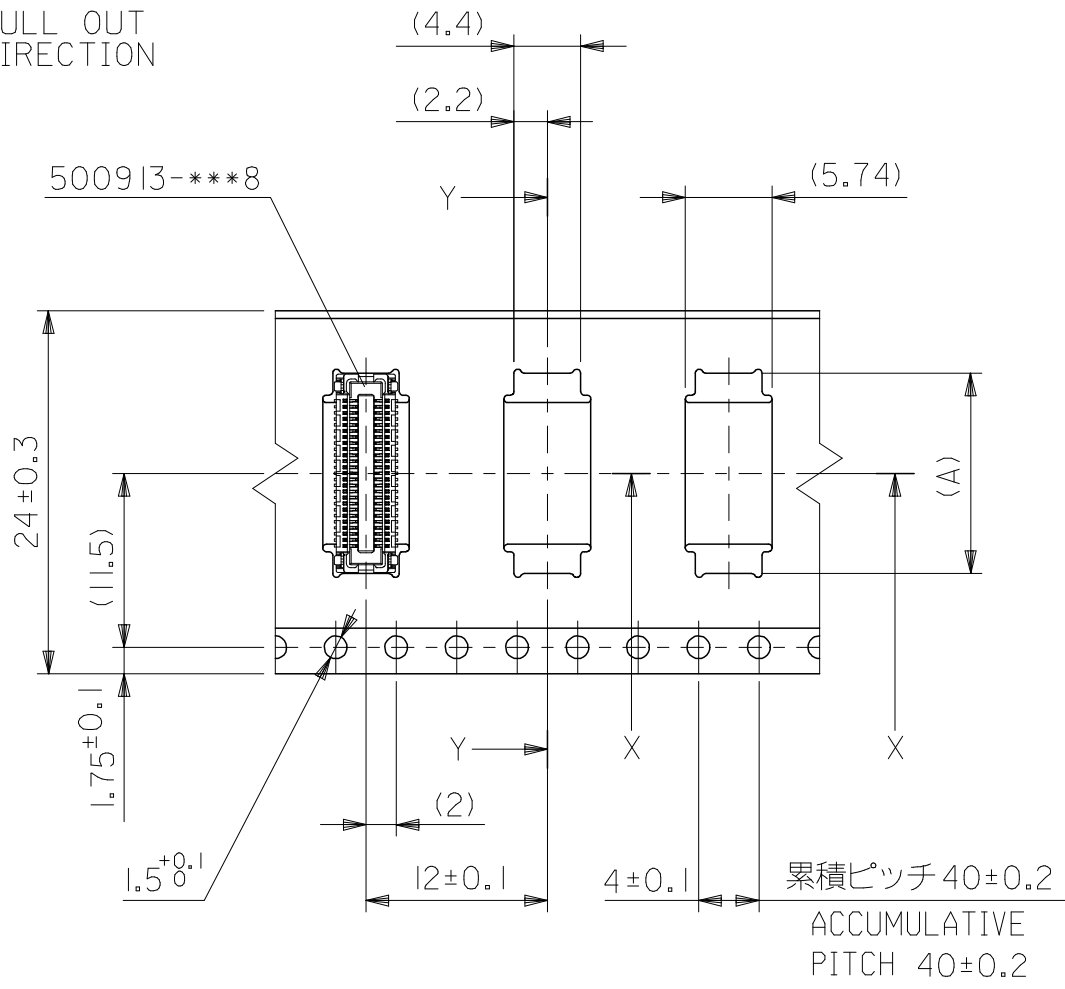
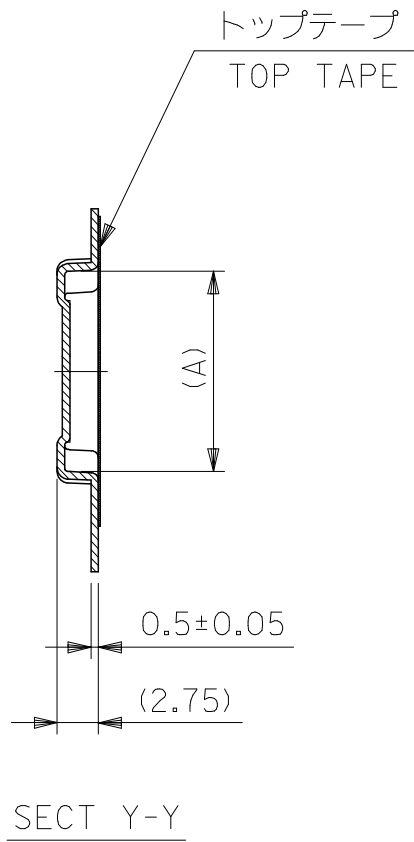
- 1. 製品詳細寸法については製品単体図面SD-500913-001を参照下さい。  
RE DETAILED DIMENSION, SEE PRODUCT DRAWING NO. SD-500913-001.
- 2. 梱包数量：1500個/リール  
NUMBER OF CONNECTORS : 1500PCS/REEL
- 3. リードテープ長さ LEAD TAPE LENGTH



- 4. 材料 MATERIAL  
 キャリアテープ (CARRIER TAPE) : ポリプロピレン (POLYPROPYLENE)  
 トップテープ (TOPTAPE) : PET , PE , PEF  
 リール (REEL) : ポリスチレン (PS) <リサイクル材を含む>  
 POLYSTYRENE (PS) <RECYCLE MATERIAL CONTAINED>

REVISED EC NO: J2007-1419 DRWN: MNABEI 2006/11/16 CHKD: KTOYODA 2006/11/20 APPR: NUKITA 2006/11/21	DESCRIPTION	GENERAL TOLERANCES (UNLESS SPECIFIED)		DIMENSION STYLE MM ONLY		500913-***2		MODEL NO.		
		10 UNDER ± ---		DRAWN BY R. SUMIYA DATE 2004/04/19		SCALE ---	DESIGN UNITS METRIC	THIRD ANGLE PROJECTION		
		10 OVER 30 UNDER ± ---		CHECKED BY M. SASAO DATE 2004/04/19		TITLE 0.4 B-TO-B REC HSG ASSY (HGT=1.8) EMBSTP PKG -LEAD FREE-				
		30 OVER ± ---		APPROVED BY M. SASAO DATE 2004/04/19		MOLEX MOLEX INCORPORATED				
		ANGULAR ± --- °		MATERIAL NO. SEE CHART		DOCUMENT NO. SD-500913-002			SHEET NO. 1 OF 4	
REV		DRAFT WHERE APPLICABLE MUST REMAIN WITHIN DIMENSIONS		SIZE A3		THIS DRAWING CONTAINS INFORMATION THAT IS PROPRIETARY TO MOLEX INCORPORATED AND SHOULD NOT BE USED WITHOUT WRITTEN PERMISSION				

引き出し方向  
PULL OUT  
DIRECTION

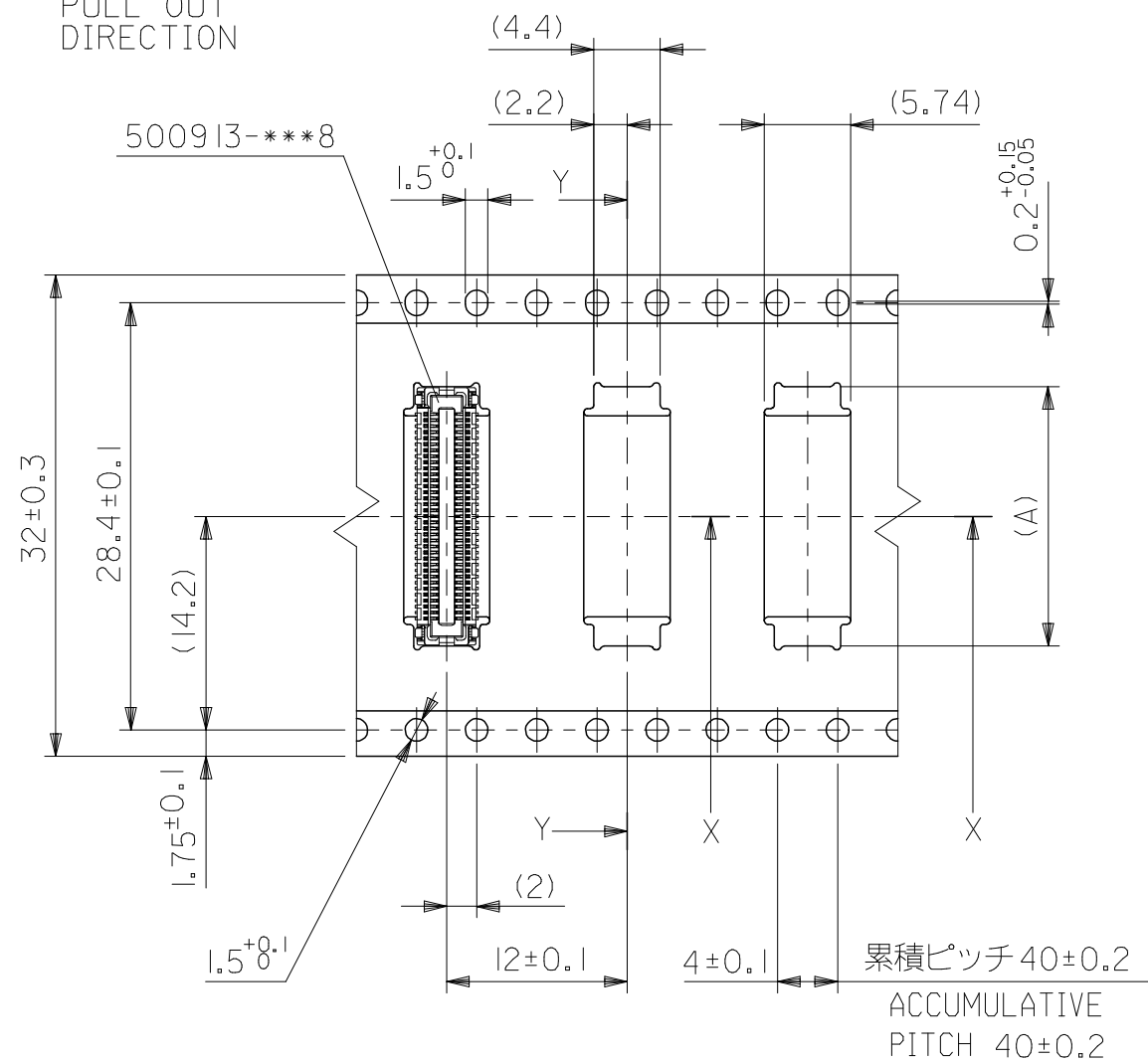
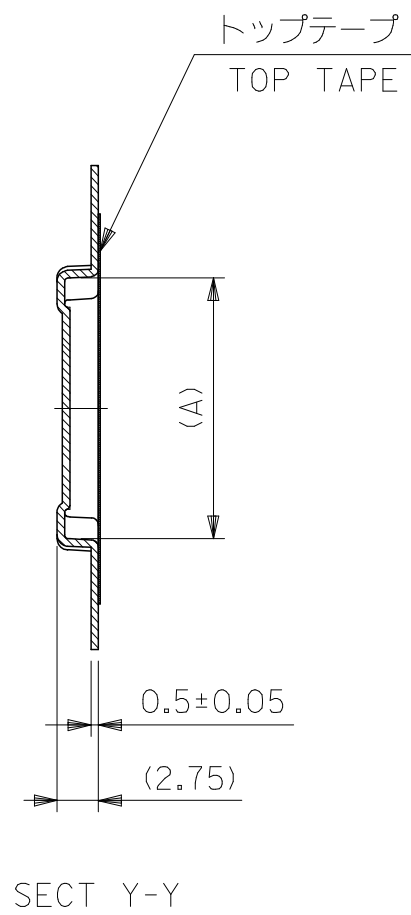


24mm幅キャリアテープ  
24mm WIDTH CARRIER TAPE

24	29.4	25.4	15.26	500913-0602	60
			13.26	500913-0502	50
			11.26	500913-0402	40
			9.26	500913-0302	30
			8.06	500913-0242	24
キャリアテープ幅 CARRIER TAPE WIDTH	C	B	(A)	MATERIAL NO.	CIRCUIT

REVISED EC NO: J2007-1419 DRWN: MNABEI CHKD: KTOYODA APPR: NUKITA	DESCRIPTION	GENERAL TOLERANCES (UNLESS SPECIFIED)		DIMENSION STYLE MM ONLY		500913-****2		MODEL NO.		
		10 UNDER	±---	DRAWN BY	DATE	SCALE	DESIGN UNITS	THIRD ANGLE PROJECTION		
		10 <sup>OVER</sup> 30 UNDER	±---	R. SUMIYA	2004/04/19	2:1	METRIC	TITLE 0.4 B-TO-B REC HSG ASSY (HGT=1.8) EMBSTP PKG -LEAD FREE-		
		30 <sup>OVER</sup>	±---	CHECKED BY	DATE	MOLEX INCORPORATED				
		ANGULAR	±--- °	M. SASAO	2004/04/19	APPROVED BY		DATE	DOCUMENT NO.	SHEET NO.
DRAFT WHERE APPLICABLE MUST REMAIN WITHIN DIMENSIONS		SEE CHART		M. SASAO		2004/04/19	SD-500913-002	2 OF 4		
REV		SIZE A3		THIS DRAWING CONTAINS INFORMATION THAT IS PROPRIETARY TO MOLEX INCORPORATED AND SHOULD NOT BE USED WITHOUT WRITTEN PERMISSION						

引き出し方向  
PULL OUT  
DIRECTION

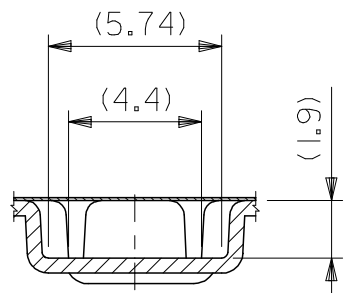
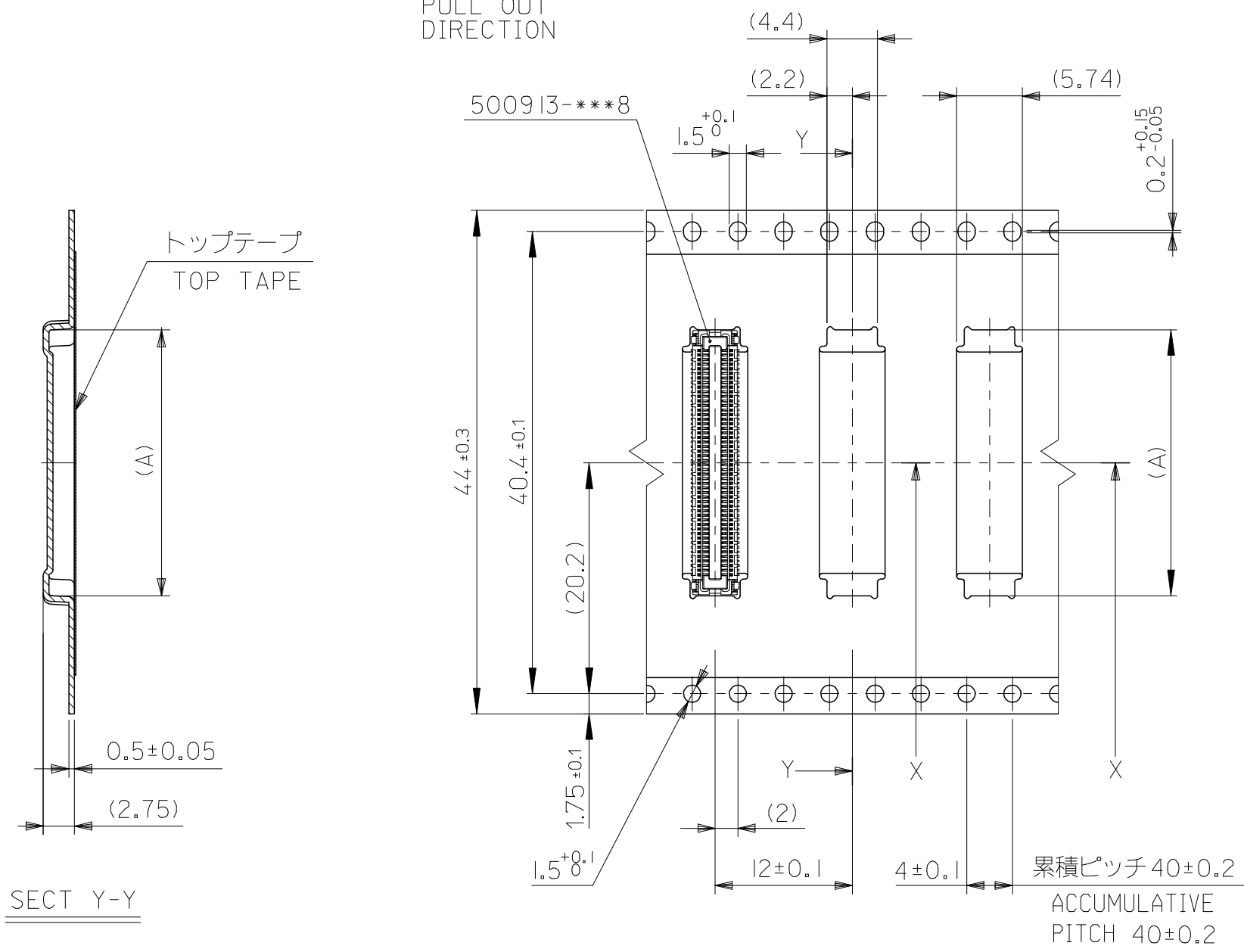


32mm幅キャリアテープ  
32mm WIDTH CARRIER TAPE

32	41.4	37.4	21.26	500913-0902	90
	37.4	33.4	17.26	500913-0702	70
キャリアテープ幅 CARRIER TAPE WIDTH	C	B	(A)	MATERIAL NO.	CIRCUIT

REVISED EC NO: J2007-1419 DRWN: MNABEI 2006/11/16 CH'KD: KTOYODA 2006/11/20 APPR: NUKITA 2006/11/21	DESCRIPTION	GENERAL TOLERANCES (UNLESS SPECIFIED)	DIMENSION STYLE MM ONLY	SCALE 2:1	DESIGN UNITS METRIC	MODEL NO. 500913-***2	THIRD ANGLE PROJECTION
	REV	10 UNDER	±---	DRAWN BY R. SUMIYA	DATE 2004/04/19	TITLE 0.4 B-TO-B REC HSG ASSY (HGT=1.8) EMBSTP PKG -LEAD FREE-	SHEET NO. 3 OF 4
		10 OVER 30 UNDER	±---	CHECKED BY M. SASAO	DATE 2004/04/19		
		30 OVER	±---	APPROVED BY M. SASAO	DATE 2004/04/19	MOLEX INCORPORATED	DOCUMENT NO. SD-500913-002
		ANGULAR	±--- °	MATERIAL NO.	SEE CHART		
	DRAFT WHERE APPLICABLE MUST REMAIN WITHIN DIMENSIONS		SIZE A3	THIS DRAWING CONTAINS INFORMATION THAT IS PROPRIETARY TO MOLEX INCORPORATED AND SHOULD NOT BE USED WITHOUT WRITTEN PERMISSION			

引き出し方向  
PULL OUT  
DIRECTION



SECT X-X  
(SCALE 4:1)

SECT Y-Y

44 mm幅キャリアテープ  
44 mm WIDTH CARRIER TAPE

累積ピッチ 40±0.2  
ACCUMULATIVE  
PITCH 40±0.2

44	49.4	45.4	23.26	500913-1002	100
キャリアテープ幅 CARRIER TAPE WIDTH	C	B	(A)	MATERIAL NO.	CIRCUIT

REVISED EC NO: J2007-1419 DRWN: MNABEI 2006/11/16 CH'KD: KTOYD0A 2006/11/20 APPR: NUKITA 2006/11/21	DESCRIPTION GENERAL TOLERANCES (UNLESS SPECIFIED)	DIMENSION STYLE MM ONLY		SCALE 2:1		DESIGN UNITS METRIC		MODEL NO. 500913-***2		THIRD ANGLE PROJECTION	
		10 UNDER	±---	DRAWN BY	DATE	TITLE					
		10 <sup>OVER</sup> 30 UNDER	±---	Y. SAKIYA	2004/07/30	0.4 B-TO-B REC HSG ASSY (HGT=1.8) EMBSTP PKG -LEAD FREE-					
		30 <sup>OVER</sup>	±---	CHECKED BY	DATE	MOLEX INCORPORATED					
		ANGULAR	±--- °	M. SASAO	2004/07/30	MATERIAL NO.		DOCUMENT NO.		SHEET NO.	
DRAFT WHERE APPLICABLE MUST REMAIN WITHIN DIMENSIONS		SEE CHART		SD-500913-002		4 OF 4		THIS DRAWING CONTAINS INFORMATION THAT IS PROPRIETARY TO MOLEX INCORPORATED AND SHOULD NOT BE USED WITHOUT WRITTEN PERMISSION			