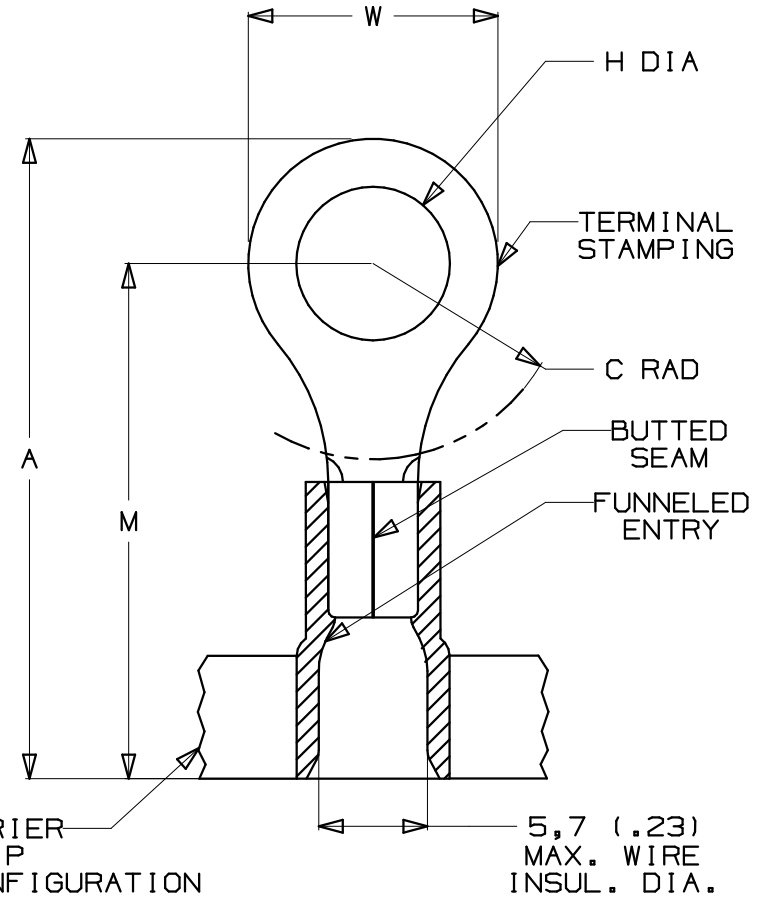


THIS COPY IS PROVIDED ON A RESTRICTED BASIS AND IS NOT TO BE USED IN ANY WAY DETRIMENTAL TO THE INTERESTS OF PANDUIT CORP.

PART NUMBER	STUD SIZE	WIRE RANGE mm ² (AWG)	DIMENSIONS mm				
			A ±.80 (.03)	W ±.25 (.01)	C ±.38 (.01)	M ±.50 (.02)	H ±.50 (.02)
PMV6-3RB-2K	M3	4,0-6,0 (12-10)	24,9 (.98)	6,1 (.24)	7,9 (.31)	21,8 (.86)	3,3 (.13)
PMV6-35RB-2K	M3.5	4,0-6,0 (12-10)	24,9 (.98)	6,1 (.24)	7,9 (.31)	21,8 (.86)	3,7 (.15)
PMV6-4RB-2K	M4	4,0-6,0 (12-10)	25,9 (1.02)	7,9 (.31)	7,9 (.31)	21,8 (.86)	4,6 (.18)
PMV6-5RB-2K	M5	4,0-6,0 (12-10)	26,7 (1.05)	9,4 (.37)	7,9 (.31)	21,8 (.86)	5,3 (.21)
PMV6-6RB-2K	M6	4,0-6,0 (12-10)	29,2 (1.14)	10,9 (.43)	9,7 (.38)	23,9 (.94)	6,9 (.27)
PMV6-8RB-2K	M8	4,0-6,0 (12-10)	30,5 (1.20)	13,2 (.52)	9,7 (.38)	23,9 (.94)	8,6 (.34)

NOTES:

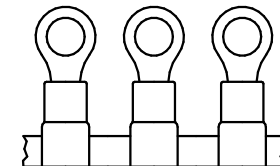
- USED FOR:
 - A. 600V MAX. BUILDING WIRE
 - 1000V MAX. IN SIGNS, FIXTURES, AND LUMINAIRES
 - B. 105°C (221°F) MAX. TEMP. RATING OF INSUL. MAT'L
 - C. SOLID OR STRANDED COPPER WIRE
- PACKAGE QTY:
2K = 2000 PCS. ON CONTINUOUSLY MOLDED CARRIER STRIP
- MATERIAL:
 - A. STAMPING: 1,02 (.04) THK. COPPER, TIN PLATED
 - B. HOUSING: YELLOW VINYL
- WIRE STRIP LENGTH: 8,7⁺⁸₋₀ (11/32^{+1/32})
- DIMENSIONS IN BRACKETS ARE IN INCHES OR AWG
- UL LISTED AND CSA CERTIFIED WITH COPPER 12-10AWG WIRE ONLY



		PANDUIT PRESS					
		CP-851 <i>DISCONTINUED</i>	CP-860 <i>DISCONTINUED</i>	CP-861	CP-862	CP-871 60HZ	CP-871/E 50HZ
APPLICATORS	CA-800		X	X			
	CA-800EZ	X				X	X
	CA9				X	X	X

UL
LISTED
587H
E52164

CSA
CERTIFIED
LR31212



A41615_02

02	3/06	DAW	DAW	ADDED PANDUIT PRESS & APPLICATOR CHART	TRO0083			<p>TINLEY PARK, ILLINOIS</p>	
01	3/01	SAB	SKB	ADDED PART NUMBER PMV6-35RB-2K, ADDED CP-862, CA-9, AND CD9-3B TO NOTE 5, AND WIRE RANGE WAS 2,5-6,0	09324	JAC	TRO		2 PC. CONTINUOUSLY MOLDED VINYL INSULATED METRIC RINGS 4,0-6,0mm ² BARREL
00	9/97	TM	WJB	DRAWING RELEASED	06191	LA	DBH		
REV	DATE	BY	CHK	DESCRIPTION	ECN #	CUST	PM	DRAWN BY TSM CHK'D WJB SCALE NONE DRAWING NO. A41615	