

Integrated 10 Base-T RJ45 Through Hole Series

LANDatacom

Common Electrical Characteristics

Inductance	200uH min.	20mVrms, 100kHz
Dielectric Rating	1500VAC	for 1 minute
Capacitance	20pF max.	20mVrms, 100kHz
D.C. Resistance	0.9Ω max.	each winding

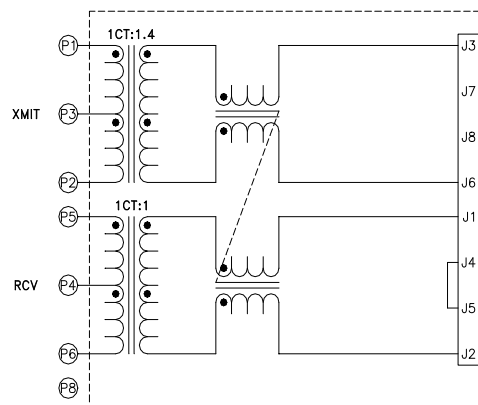
Note1: Electrical Characteristics for individual part may vary; see specification sheet for actual values.

Features

- Optional pin-outs and LEDs
- Industry standard connector footprint
- Optimum performance
- Cost effective
- Operating temperature range 0°C to +70°C.
- RoHS compliant

Part Number	LED (left-right)	Tab Direction	EMI Tabs	Transmit Turns Ratio	Receive Turns Ratio	Schematic	Mechanical
MIC13011-5113	Yellow-Green	Down	Yes	1CT:1.4	1CT:1	1	1
MIC13013-5121	Green-Yellow	Down	Yes	1CT:2.5	1CT:1	2	1
MIC13013-5214	Green-Yellow	Down	Yes	1CT:2.5	1CT:1	2	2
7499911001	None	Down	Yes	2.5:1CT	1CT:1	2	5
MIC13011-0111	Yellow-Green	Down	Yes	1CT:2.5	1CT:1	3	1
MIC13010-0122	None	Down	Yes	1CT:2.5	1CT:1	4	3
MIC1411C-6139	Green/Orange-Yellow	Up	Yes	2:1CT	1CT:1	5	4

Schematic 1

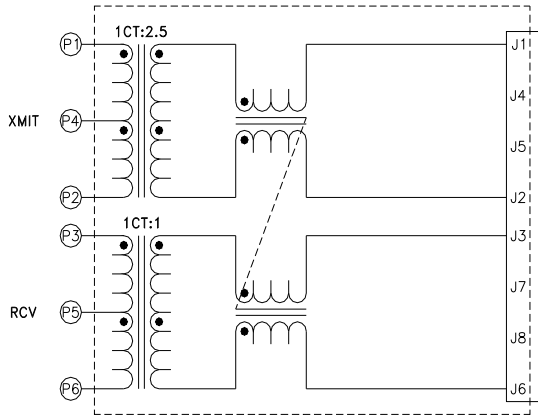




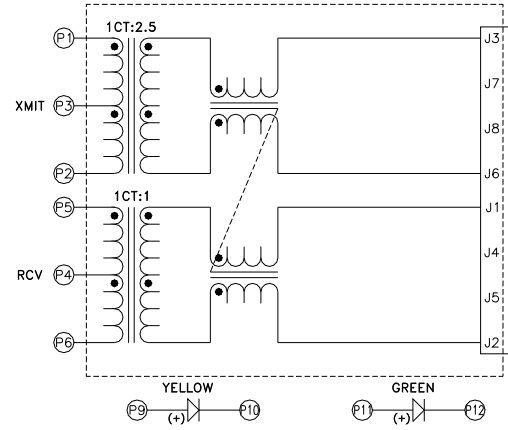
Integrated 10 Base-T RJ45 Through Hole Series

LANDatacom

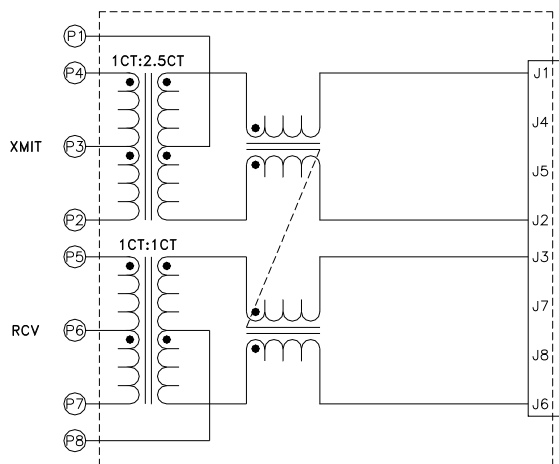
Schematic 2



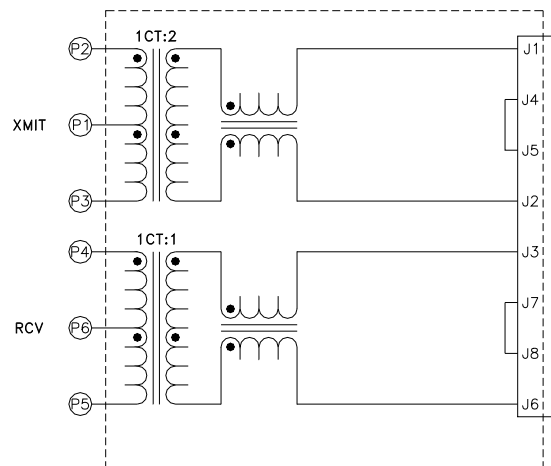
Schematic 3



Schematic 4



Schematic 5

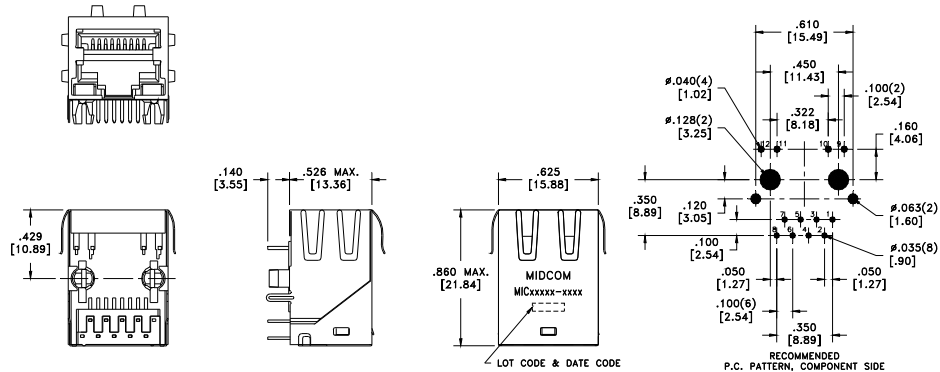


Integrated 10 Base-T RJ45 Through Hole Series

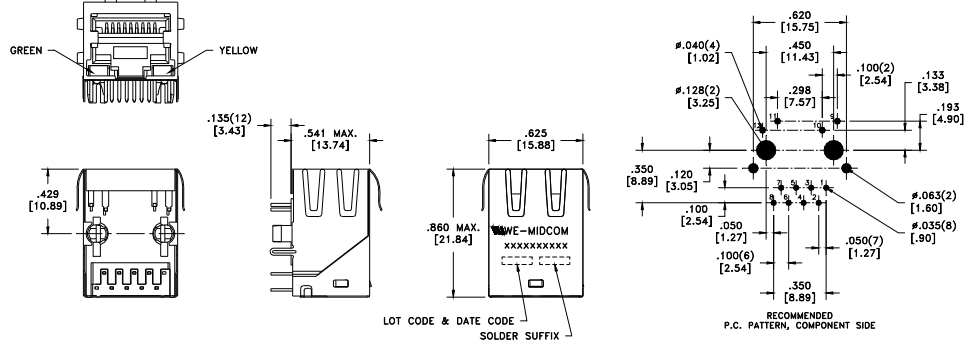
Midcom

LANDatacom

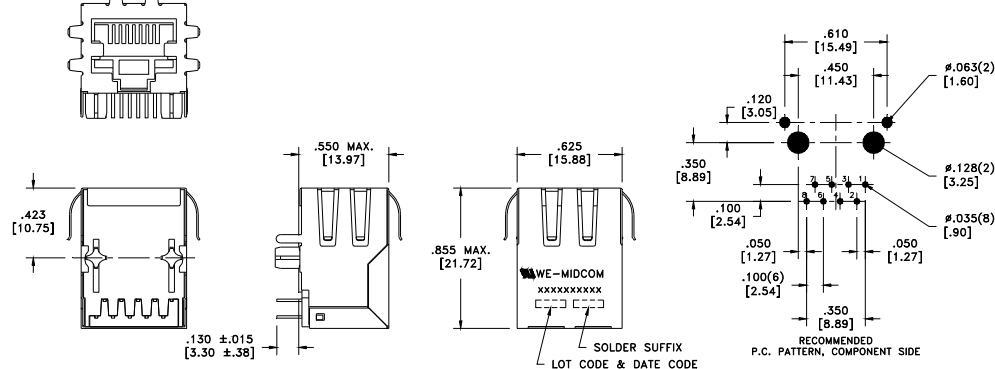
M1 - Tab Down with EMI Tabs



M2 - Tab Down with EMI Tabs



M3 - Tab Down with EMI Tabs



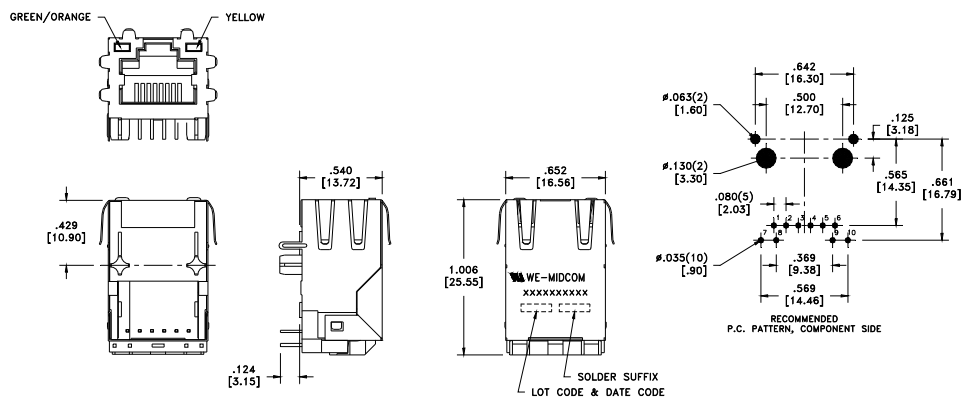


Integrated 10 Base-T RJ45 Through Hole Series

Midcom

LANDatacom

M4 - Tab Up with EMI Tabs



M5 - Tab Down with EMI Tabs

