

# RED INDICATES ORIGINAL

DATA CONTAINED IN THIS DOCUMENT IS PROPRIETARY TO TROMPETER ELECTRONICS INC. AND SHALL NOT BE DISCLOSED, COPIED OR USED FOR PROCUREMENT OR MANUFACTURE WITHOUT EXPRESS WRITTEN PERMISSION.

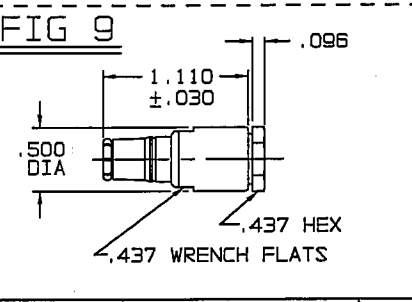
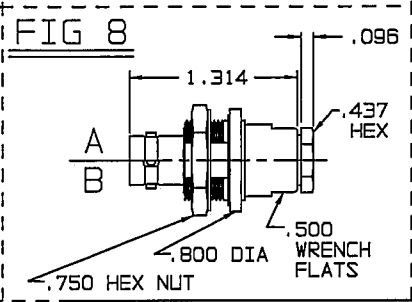
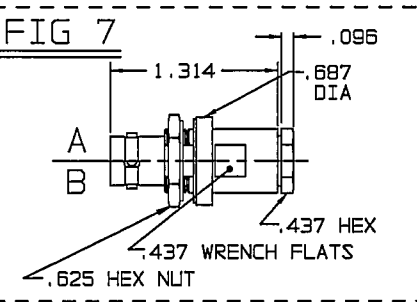
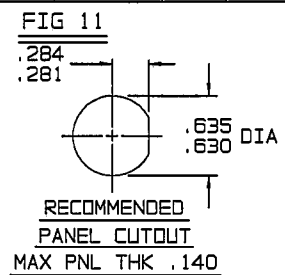
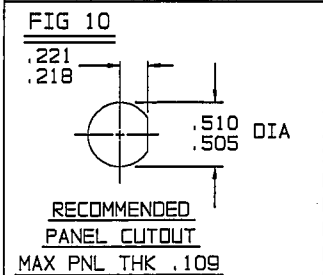
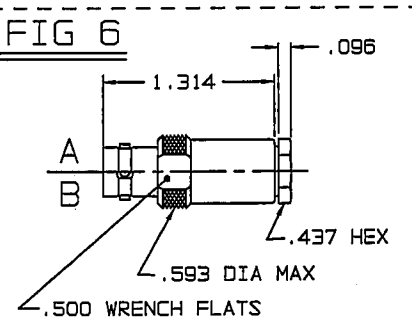
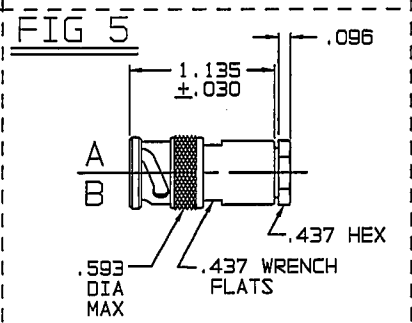
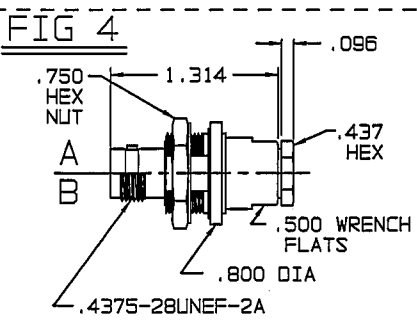
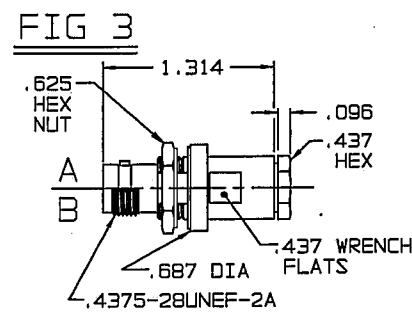
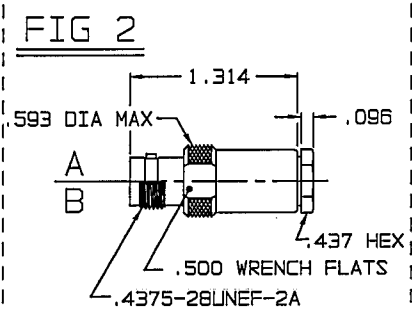
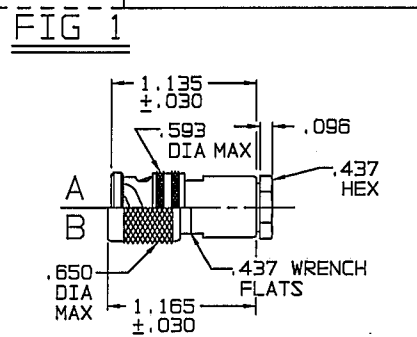
### REVISIONS

305-1441

SH

REV	ED	DESCRIPTION	OWN	APPROVED	DATE
A		PRODUCTION RELEASE	R L		

DASH NO	CONNECTOR TYPE	MATERIAL <span style="border: 1px solid black; padding: 0 2px;">4</span>	ASSEMBLE PER	FIG	MTG HOLE FIG
-1	PL75	310-0002-23	TAI-189	1A	—
-2	CJ70	3-0043-23		2A	—
-3	BJ79	3-0018-23		3A	10
-4	BJ74	3-0055-23		4A	11
-5(S)	PL375(S)	315-0011-23		1B	—
-6(S)	CJ370(S)	3-0066-23		2B	—
-7(S)	BJ379(S)	3-0074-23		3B	10
-8(S)	BJ374(S)	3-0073-23		4B	11
-9	PL74	310-0025-23		5A	—
-10	CJ70TL	3-0217-23		6A	—
-11	BJ79TL	3-0112-23		7A	10
-12	BJ74TL	3-0105-23		8A	11
-13	PL75FL	310-0006-23		5B	—
-14	CJ70FL	3-0101-23		6B	—
-15	BJ79FL	3-0052-23		7B	10
-16	BJ74FL	3-0099-23		8B	11
-17	PL73	310-0038-23		9	—



**5** EXAMPLE OF COMPLETE P/N:  
305-1441-1 T S

BASIC PART NO.	OPTIONAL SAFETY WIRE HOLE (-5 THRU -8 ONLY)
CONNECTOR TYPE DASH NO.	SEE NOTE <span style="border: 1px solid black; padding: 0 2px;">4</span>

- 4** REPLACE CLAMP NUT 8-1580-23 WITH 105-1266-102
3. CONCENTRIC TWINAX/TRIAX, 2-LUG, 3-LUG, 4-LUG AND THREADED CABLE PLUGS/RECEPTACLES, INSULATED & NONINSULATED BULKHEAD MOUNT RECEPTACLES & PUSH-ON CABLE PLUGS FOR COAXCD 1102
2. FINISH TFS-1A (NICKEL)
1. ALL DIM ARE IN INCHES

**3** POLARIZATION LETTER I.A.W MATERIAL CALL-OUT, NONE REQUIRED FOR STANDARD

QTY	DESCRIPTION	PART NUMBER	ITEM
TOL UNLESS SPECIFIED		<b>TROMPETER ELECTRONICS, INC.</b>	
.XX ±		"70" SERIES 1102	
.XXX ±	.005		
.XXXX ±			
ANGLES ±			
DWN	R L 10/5/99	MATERIAL	CODE IDENT
CHK	10-8-99		<b>14949</b>
ENGR			DRAWING NO. 305-1441
APPR	1-8-99	SCALE —	DATE 10/8/99 SHEET
			REV A