

## Description

The μPD71088 is a CMOS system bus controller for a μPD70108 (V20®) or μPD70116 (V30®) microprocessor system. It controls the memory or I/O system bus.

## Features

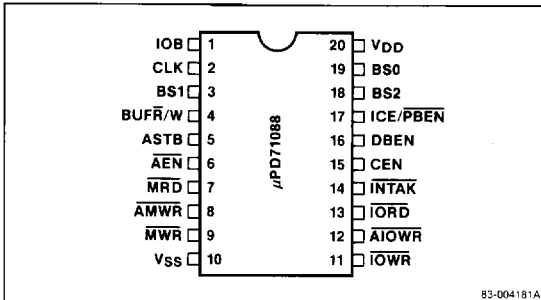
- CMOS technology
- Bus controller for microcomputer system expansion
- Command outputs for system bus control
- Control outputs for I/O peripheral bus control
- High drive capability for command and control outputs ( $I_{OL} = 12 \text{ mA}$ )
- Three-state outputs for command outputs
- Advanced I/O and memory write command outputs
- μPD70108, μPD70116 compatible
- +5-volt  $\pm 10\%$  single power supply
- 20-pin plastic DIP (300 mil) or SOP package
- Industrial temperature range:  $-40$  to  $+85^\circ\text{C}$

## Ordering Information

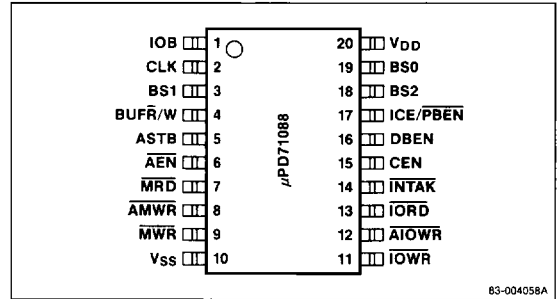
Part Number	Clock (MHz)	Package Type
μPD71088C-8	8	20-pin plastic DIP
C-10	10	
G-8	8	20-pin plastic SOP

## Pin Configurations

### 20-Pin Plastic DIP



### 20-Pin Plastic SOP



## Pin Identification

Symbol	Function
IOB	Input/output bus mode input
CLK	Clock input
BS1	Bus status input 1
BUFR/W	Buffer read/write output
ASTB	Address strobe output
AEN	Address enable input
MRD	Memory read output
AMWR	Advanced memory write output
MWR	Memory write command output
Vss	Ground
IOWR	I/O write command output
AIOWR	Advanced I/O write command output
IORD	I/O read command output
INTAK	Interrupt acknowledge output
CEN	Command enable input
DBEN	Data buffer enable output
ICE/PBEN	Interrupt cascade enable/Peripheral data bus enable output
BS2	Bus status input 2
BS0	Bus status input 0
VDD	Power supply

5k

V20 and V30 are registered trademarks of NEC Corporation.

## **PIN FUNCTIONS**

### **BS0-BS2 (Bus Status Inputs 0, 1, 2)**

The BS0-BS2 inputs are connected to the encoded CPU status outputs. The μPD71088 decodes these status outputs into command and control outputs for timing control. See table 1 for an explanation of these inputs.

### **CLK (Clock)**

The CLK input is connected to the same clock output that drives the CPU clock, usually the CLK output of a μPD71084 or a μPD71011. It is the internal system clock of the μPD71088.

### **$\overline{\text{AEN}}$ (Address Enable)**

The  $\overline{\text{AEN}}$  input controls the command output buffers. When IOB is low, a low-level  $\overline{\text{AEN}}$  causes the command buffers to output command output signals. A high-level  $\overline{\text{AEN}}$  makes all command lines go to high impedance. When IOB is high, the μPD71088 is in I/O bus mode, and the command lines are not affected by  $\overline{\text{AEN}}$ .

### **CEN (Command Enable)**

The CEN input controls DBEN,  $\overline{\text{PBEN}}$  and all command outputs. When CEN is high, all these outputs are active. When CEN is low, they are inactive.

### **IOB (I/O Bus Mode)**

When the IOB input is high, the bus control mode is I/O bus mode. When IOB is low, the bus control mode is system bus mode.

### **$\overline{\text{MRD}}$ (Memory Read Command)**

The  $\overline{\text{MRD}}$  output is the signal to read data from a memory device.  $\overline{\text{MRD}}$  is three-state, active low.

### **$\overline{\text{MWR}}$ (Memory Write Command)**

The  $\overline{\text{MWR}}$  output is the signal to write data to a memory device.  $\overline{\text{MWR}}$  is three-state, active low.

### **$\overline{\text{AMWR}}$ (Advanced Memory Write Command)**

This command output is the same as  $\overline{\text{MWR}}$ , except that it is generated one state (clock cycle) earlier than  $\overline{\text{MWR}}$ .

### **$\overline{\text{IORD}}$ (I/O Read Command)**

The  $\overline{\text{IORD}}$  output is the signal to read data from an I/O device.  $\overline{\text{IORD}}$  is three-state, active low.

### **$\overline{\text{IOWR}}$ (I/O Write Command)**

The  $\overline{\text{IOWR}}$  output is the signal to write data to an I/O device.  $\overline{\text{IOWR}}$  is three-state, active low.

### **$\overline{\text{AIOWR}}$ (Advanced I/O Write Command)**

This command output is the same as  $\overline{\text{IOWR}}$ , except that it is generated one state (clock cycle) earlier than  $\overline{\text{IOWR}}$ .

### **$\overline{\text{INTAK}}$ (Interrupt Acknowledge)**

The  $\overline{\text{INTAK}}$  output acknowledges interrupt requests. Requesting devices output an interrupt vector address in response to  $\overline{\text{INTAK}}$ .  $\overline{\text{INTAK}}$  is three-state, active low.

### **ASTB (Address Strobe)**

The ASTB output control signal latches the address outputs from the CPU into an external address latch, such as a μPD71082 or μPD71083. Address data should be strobed with the trailing edge (high to low) of ASTB.

### **DBEN (Data Buffer Enable)**

The DBEN output activates a data bus buffer/driver such as a μPD71086 or μPD71087 to input or output data between the CPU local bus and the memory or I/O system bus.

### **$\overline{\text{BUF\overline{R}}}/\text{W}$ (Buffer Read/Write)**

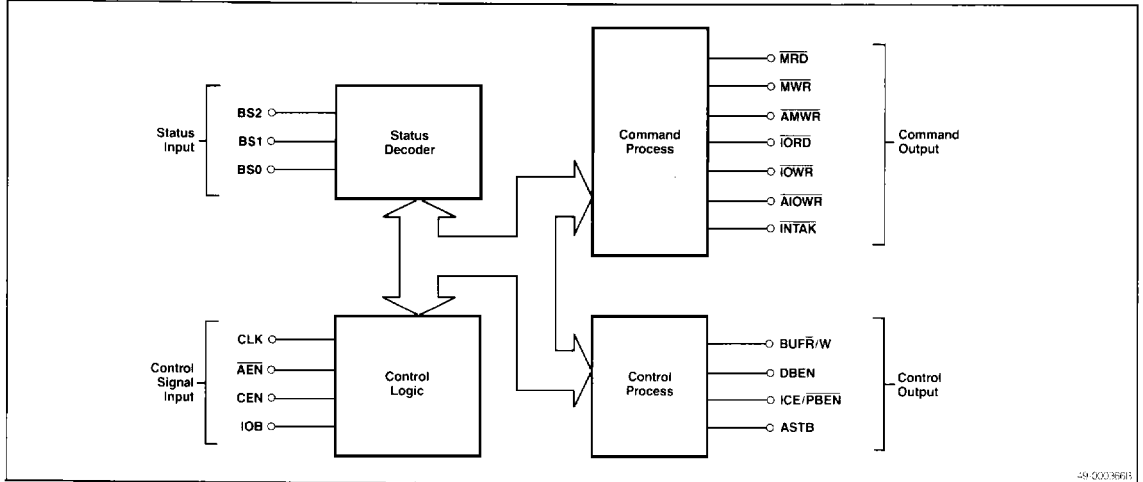
The  $\overline{\text{BUF\overline{R}}}/\text{W}$  output controls the direction in which data moves through a transceiver between the CPU and the memory or I/O peripherals. When  $\overline{\text{BUF\overline{R}}}/\text{W}$  is high, data is transferred from the CPU local bus to the memory or I/O system bus. When  $\overline{\text{BUF\overline{R}}}/\text{W}$  is low, data is transferred from the memory or I/O system bus to the CPU local bus.

### **$\overline{\text{ICE}}/\overline{\text{PBEN}}$ (Interrupt Cascade Enable/Peripheral Data Bus Enable)**

The meaning of this output signal depends on IOB. If IOB is low (system bus mode), it is the ICE output. ICE controls the cascade address transfer from a master priority interrupt controller to slave priority interrupt controllers. The slave reads the address from the master when ICE goes high.

When IOB is high, it becomes  $\overline{\text{PBEN}}$ .  $\overline{\text{PBEN}}$  controls the I/O bus the same way that DBEN controls the system bus. In this case, however, the output is active low.

## Block Diagram



## Absolute Maximum Ratings

$T_A = 25^\circ\text{C}; V_{SS} = 0\text{ V}$

Power supply voltage, $V_{DD}$	-0.5 to +7.0 V
Input voltage, $V_I$	-1.0 to $V_{DD} + 1.0\text{ V}$
Output voltage, $V_O$	-0.5 to $V_{DD} + 0.5\text{ V}$
Operating temperature, $T_{OPT}$	-40 to +85 °C
Storage temperature, $T_{STG}$	-65 to +150 °C
Power dissipation, $P_D$ (DIP)	500 mW
Power dissipation, $P_D$ (SO)	200 mW

Exposure to Absolute Maximum Ratings for extended periods may affect device reliability; exceeding the ratings could cause permanent damage.

## Capacitance

$T_A = 25^\circ\text{C}; V_{DD} = +5\text{ V}$

Parameter	Symbol	Min	Max	Units	Conditions
Input capacitance	$C_{IN}$		12	pF	$f = 1\text{ MHz}$

## DC Characteristics

$T_A = -40^\circ\text{C}$  to  $+85^\circ\text{C}; V_{DD} = 5\text{ V} \pm 10\%$

Parameter	Symbol	Min	Max	Unit	Conditions
Input voltage, high	$V_{IH}$	2.2		V	
Input voltage, low	$V_{IL}$		0.8	V	
Output voltage, high	$V_{OH}$	$V_{DD} - 0.8$		V	Controls: $I_{OH} = -8\text{ mA @ } 10\text{ MHz}, -4\text{ mA @ } 8\text{ MHz}$
Output voltage, low	$V_{OL}$		0.45	V	Commands: $I_{OL} = 24\text{ mA @ } 10\text{ MHz}, 12\text{ mA @ } 8\text{ MHz}$ Controls: $I_{OL} = 8\text{ mA @ } 10\text{ MHz}, 4\text{ mA @ } 8\text{ MHz}$
Input current leakage	$I_{IL}$	-1.0	1.0	μA	$V_I = V_{DD}, V_{SS}$
Leakage current at high impedance	$I_{OFF}$	-10	10	μA	
Power supply current (static)	$I_{DD}$		60	μA	$V_I = V_{DD}, V_{SS}$
Power supply current (dynamic)	$I_{DDdyn}$		20	mA	$f_{in} = 10\text{ MHz}$

5k

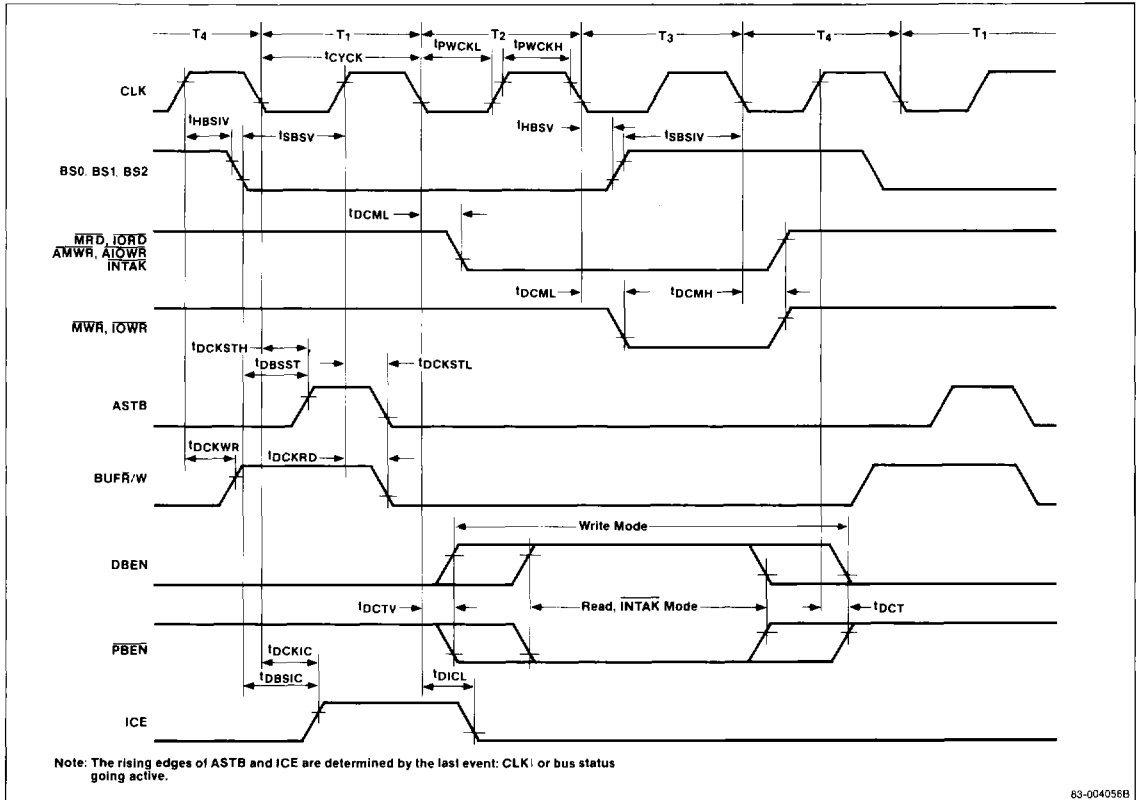
**AC Characteristics**

T<sub>A</sub> = -40 to +85°C; V<sub>DD</sub> = 5 V ± 10%

Parameter	Symbol	μPD71088		μPD71088C-10		Units	Conditions
		Min	Max	Min	Max		
CLK cycle period	t <sub>CYCK</sub>	125		100		ns	
CLK pulse width, high	t <sub>PWCKH</sub>	40		41		ns	
CLK pulse width, low	t <sub>PWCKL</sub>	60		49		ns	
Setup time for bus status active to CLK ↑	t <sub>SBSV</sub>	40		35		ns	
Hold time for bus status inactive from CLK ↓	t <sub>HBSV</sub>	10		10		ns	
Setup time for bus status inactive to CLK ↓	t <sub>SBSIV</sub>	35		35		ns	
Hold time for bus status inactive from CLK ↑	t <sub>HBSIV</sub>	10		10		ns	
Command active delay from CLK ↓	t <sub>DCML</sub>	10	40	10	35	ns	
Command inactive delay from CLK ↓	t <sub>DCMH</sub>	10	40	10	35	ns	
Command output on delay from $\overline{AEN}$ ↓	t <sub>DAECM</sub>		40		40	ns	
Command active output delay from $\overline{AEN}$ ↓	t <sub>DAECML</sub>	100	295	115	200	ns	
Command disable delay from $\overline{AEN}$ ↑	t <sub>FAECM</sub>		50		20	ns	
Command active delay from CEN ↑	t <sub>DCECM</sub>		t <sub>DCML</sub>		t <sub>DCML</sub>	ns	I <sub>OL</sub> = 4 mA I <sub>OH</sub> = -4 mA C <sub>L</sub> = 100 pF
ASTB active delay from CLK ↓	t <sub>DCKSTH</sub>		30		20	ns	
ASTB active delay from BS2, 1, 0	t <sub>DBSST</sub>		25		20	ns	
ASTB inactive delay from CLK ↑	t <sub>DCKSTL</sub>	7	25	7	25	ns	
DBEN, $\overline{PBEN}$ active delay from CLK ↓	t <sub>DCTV</sub>	10	50	10	35	ns	
DBEN, $\overline{PBEN}$ inactive delay from CLK ↑	t <sub>DCT</sub>	10	50	10	35	ns	
DBEN, $\overline{PBEN}$ active delay from $\overline{AEN}$ ↓	t <sub>DAECT</sub>		30		30	ns	
DBEN, $\overline{PBEN}$ active delay	t <sub>DCECT</sub>		30		30	ns	
BUF $\overline{R}$ /W ↑ delay from CLK ↑	t <sub>DCKWR</sub>		40		40	ns	
BUF $\overline{R}$ /W ↓ delay from CLK ↑	t <sub>DCKRD</sub>		60		40	ns	
ICE active delay from CLK ↓	t <sub>DCKIC</sub>		30		30	ns	
ICE active delay from BS2, 1, 0	t <sub>DBSIC</sub>		25		20	ns	
ICE inactive delay from CLK ↓	t <sub>DICL</sub>	10	50	10	40	ns	
Input rise time	t <sub>RI</sub>		20		20	ns	0.8 V to 2.0 V
Output rise time	t <sub>RO</sub>		20		20	ns	
Input fall time	t <sub>FI</sub>		12		12	ns	2.0 V to 0.8 V
Output fall time	t <sub>FO</sub>		12		12	ns	

## Timing Waveforms

### General

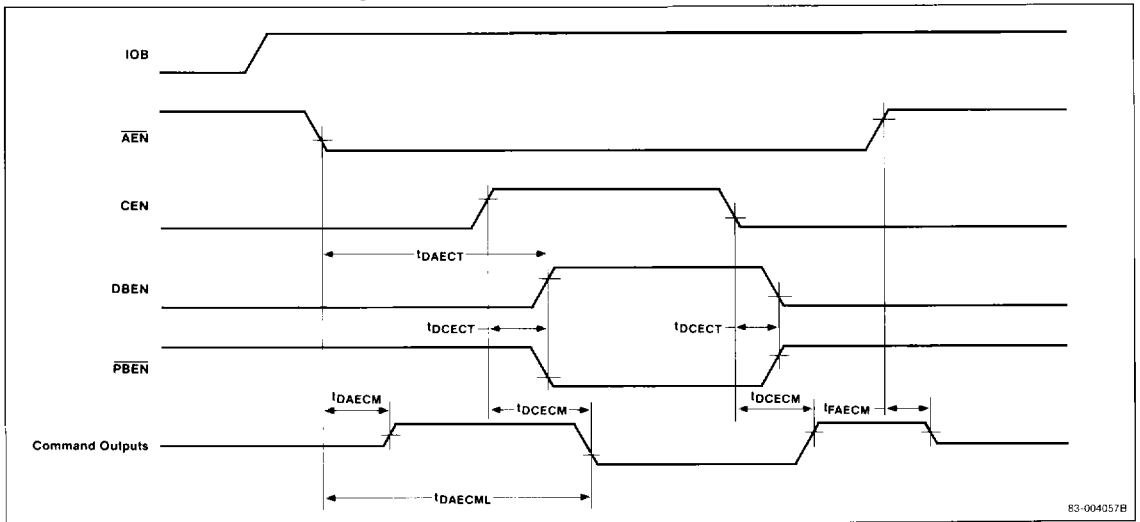


5k

83-004056B

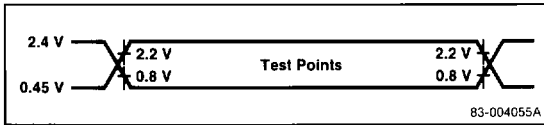
Timing Waveforms (cont)

**DBEN, PBEN, and Command Output**

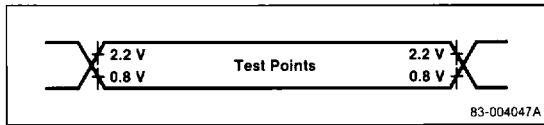


83-004057B

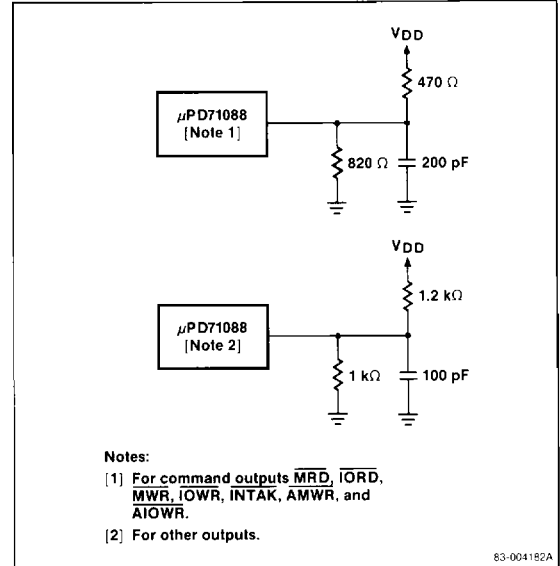
**AC Test Input**



**AC Test Output**



**Output Test Loads**



- Notes:
- [1] For command outputs  $\overline{MRD}$ ,  $\overline{IORD}$ ,  $\overline{MWR}$ ,  $\overline{IOWR}$ ,  $\overline{INTAK}$ ,  $\overline{AMWR}$ , and  $\overline{AIOWR}$ .
  - [2] For other outputs.

83-004182A

## FUNCTIONAL DESCRIPTION

### Command Logic

The PD71088 decodes the CPU bus status outputs into command outputs. The bus status outputs (BS0-BS2) and their decoded commands are shown in table 1.

### Bus Control Mode

The CEN, IOB, and  $\overline{AEN}$  signals control the bus controller mode as shown in table 2.

**Table 1. Command Logic**

			μPD71088	
BS2	BS1	BS0	CPU Status	Command Output
Low	Low	Low	Interrupt acknowledge	$\overline{INTAK}$
Low	Low	High	I/O read mode	$\overline{IORD}$
Low	High	Low	I/O write mode	$\overline{IOWR}$ , $\overline{AIOWR}$
Low	High	High	Halt mode	None
High	Low	Low	Instruction fetch mode	$\overline{MRD}$
High	Low	High	Memory read mode	$\overline{MRD}$
High	High	Low	Memory write mode	$\overline{MWR}$ , $\overline{AMWR}$
High	High	High	No bus cycle mode	None

**Table 2. Bus Control Mode**

Control input			Command Output			Control Output
CEN	IOB	$\overline{AEN}$	Memory	I/O	$\overline{ICE/PBEN}$	ASTB, $\overline{BUF\overline{R}/W}$ , DBEN
			$\overline{MRD}$ , $\overline{MWR}$ , $\overline{AMWR}$	$\overline{IOWR}$ , $\overline{AIOWR}$ , $\overline{IORD}$ , $\overline{INTAK}$		
H	H (I/O bus mode)	H	High impedance	Outputs enabled (NC)	$\overline{PBEN}$ (NC)	Outputs enabled (NC)
		L	Outputs enabled			
H	L (System bus mode)	H	High impedance	High impedance	$\overline{ICE}$ (NC)	Outputs enabled (NC)
		L	Outpus enabled	Outputs enabled		
L (Command disable mode)	x	x	H	H	$\overline{PBEN} = H$	Outputs enabled (DBEN = L:ASTB, $\overline{BUF\overline{R}/W}$ are NC)

**Note:**

x = Don't care, NC = No change, H = High, L = Low

5k

