

## TT Series

Piconics TT Series, a molded top tuned inductor, is designed for use in high-density printed circuit boards where surrounding components prevent side tuning. It occupies one third the volume of a TO-5 can. The inductor has a molded case and utilizes a self-locking tuning screw. These inductors can be converted to transformers by additional taps and leads as required. Our standard construction uses solid .018" tinned copper leads for values below 1uH. From 1uH to 100uH .018 gold plated Kovar leads are used. For values above 100uH, .013" gold plated Kovar leads are used because the ratio of the winding wire to the lead wire is less and the weld reliability is higher. The series is listed in the Qualified Products List (QPL) 15305 under the identifier MS 53233 and 53234.

### FEATURES:

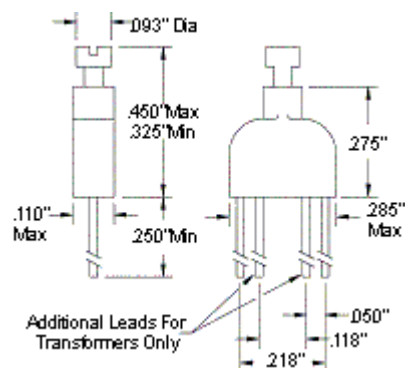
- Self-Locking Adjustment Screw
- High Reliability
- Top Tuning
- Molded Case
- Style Military LTI1
  - Grade 2
  - Class A

### ABSOLUTE MAXIMUM RATINGS:

- Operating temperature: -55° C to +125° C.
- Storage temperature: -55° C to 125° C.
- Power dissipation: 225 mW max
- Dielectric withstanding voltages: Sea Level 1,000V rms min 70,000 feet 300V rms min.

### PHYSICAL CHARACTERISTICS:

- Terminal pull: TT250-81 through TT104-3F: 2lb. min TT124-3F through TT105-1F: 1.lb. min
- Stop Torque: .2 in.oz.Max
- Tuning Torque: .005-2 in.oz.Max
- Weight: .25 gram max
- Case: Diallyl phthalate.



Part number	Lmax uH	Lmin uH	QMin at Lmax	Test Freq Mhz	SRF min MHZ	DCR Max Ohms	Idc Max mA
TT250-8I-10	.025	.020	50	200	1000	.04	250
TT510-80-10	.051	.036	40	100	700	.05	250
TT760-8I-10	.076	.055	40	100	615	.15	250
TT101-8I-10	.10	.075	30	25	500	.50	250
TT151-8I-10	.15	.11	30	25	420	.50	200
TT221-8I-10	.22	.16	30	25	400	.60	180
TT271-8I-10	.27	.19	30	25	400	.80	180
TT331-8I-10	.33	.24	30	25	320	.90	140
TT471-8I-1-	.47	.34	30	25	290	1.0	100
TT561-8I-10	.56	.40	30	25	250	1.1	100
TT681-8I-10	.68	.50	30	25	240	1.3	100
TT821-8I-10	.82	.59	30	25	180	1.4	100
TT102-6I-00	1.0	.67	25	7.9	140	1.5	100
TT152-6I-00	1.5	1.0	25	7.9	135	1.6	100
TT222-6I-00	2.2	1.5	25	7.9	100	2.1	80
TT272-6I-00	2.7	2.0	25	7.9	60	2.4	75
TT332-6I-00	3.3	2.2	25	7.9	55	2.7	65
TT472-6I-00	4.7	3.2	25	7.9	50	3.3	60
TT582-6I-00	5.8	3.9	25	7.9	36	4.2	58
TT682-6I-00	6.8	4.5	25	7.9	34	4.5	55
TT822-6I-00	8.2	5.5	25	7.9	32	4.5	50
TT103-3F-00	10	6.0	22	2.5	30	4.5	50
TT133-3F-00	13	6.5	22	2.5	28	4.5	50
TT163-3F-00	16	8	22	2.5	26	5.1	50
TT203-3F-00	20	10	22	2.5	20	5.3	43
TT223-3F-00	22	11	22	2.5	14	6.0	43
TT303-3F-00	30	15	22	2.5	10	6.8	40
TT363-3F-00	36	18	22	2.5	9	7.5	40
TT473-3F-00	47	24	22	2.5	6.5	8.6	39
TT563-3F-00	56	28	22	2.5	6.3	10.5	35
TT683-3F-00	68	34	22	2.5	6.2	12.0	30
TT753-3F-00	75	38	22	2.5	5.9	13.5	30
TT863-3F-00	86	43	22	2.5	5.6	15.0	28
TT104-3F-00	100	50	20	.79	5.4	18.0	27
TT124-3F-01	120	60	20	.79	4.4	21.0	25
TT474-3F-01	470	240	20	.79	2.1	45.0	16
TT684-1F-01	680	340	20	.79	2.0	53.0	15
TT105-1F-01	1000	500	20	.25	1.1	113	11