

**SPECIFICATIONS**

**Mechanical**

*Insertion Force: 55.5N max.*  
*Withdrawal Force: 49.0N max.*  
*Durability: 250 Cycles.*

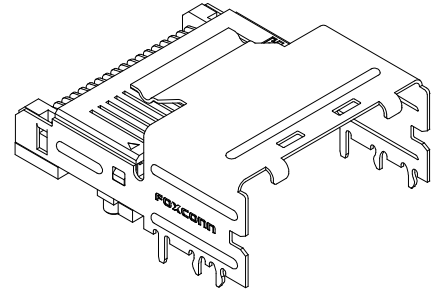
**Electrical**

*Voltage Rating: 250V.*  
*Current Rating: 0.5A min. per pin.*  
*Contact Resistance: Δ20mΩ max. after Life testing.*  
*Dielectric Withstanding Voltage: 300V AC.*  
*Insulation Resistance: 1000MΩ min.*

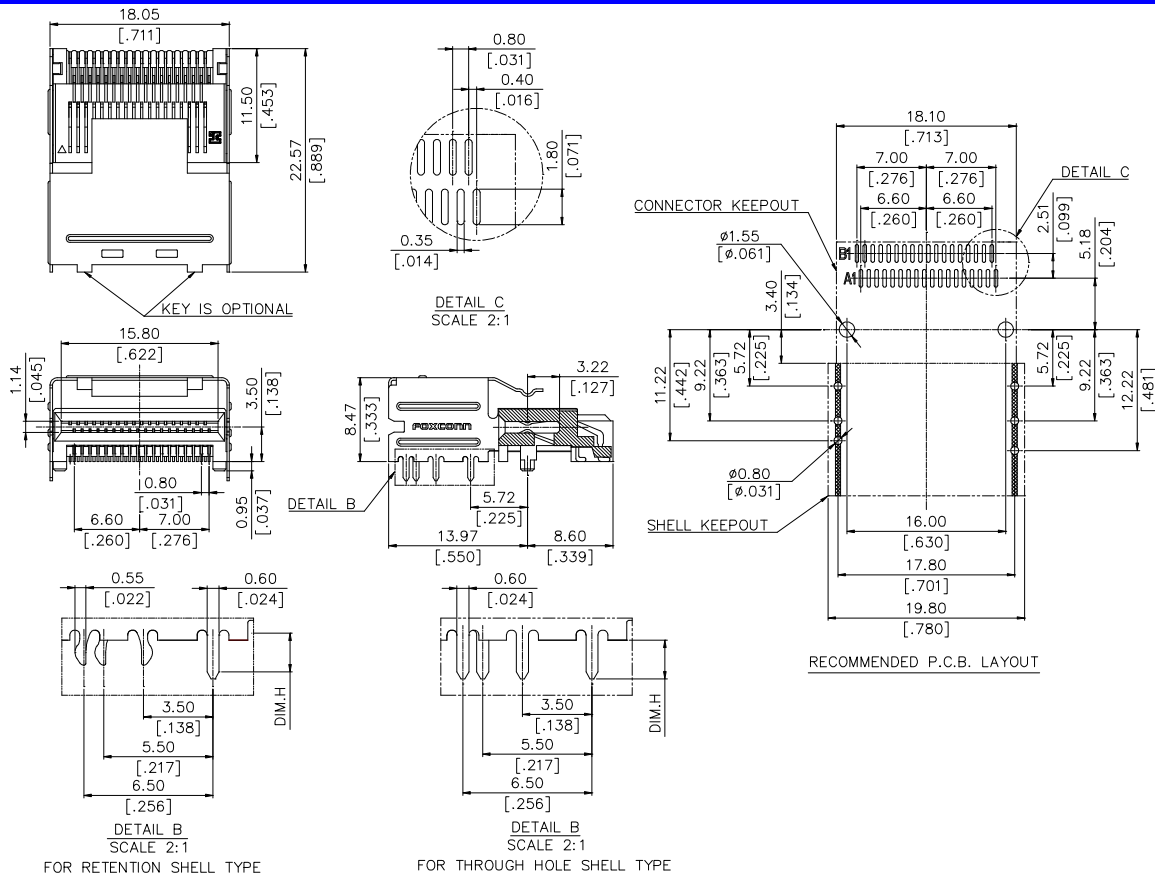
**Physical**

*Housing: Thermoplastic, UL94 V-0 rated in Black Color*  
*Contact: Copper alloy*  
*Plating: See "ORDERING INFORMATION"*  
*Operating Temperature: -20°C to +85°C*

**Mini SAS Connector**  
**LD21 Series**  
**R/A, SMT, Receptacle**  
**0.8mm [.032"] Pitch**



**DRAWING**



**ORDERING INFORMATION**

**PRODUCT NO. : L D 2 1 36 \* - M 8 \* \* \***

- S-ATA Series
- Mating End Type  
2=Receptacle
- Mounting End Type  
1= SMT, R/A
- No. of Pos.  
36 = 36 Pos.
- Packing Type  
None=Tray  
6 = Tape&Reel
- Housing Material  
L = LCP, Color Black
- Modification Code  
(1,2,3,4...)
- External Mini SAS
- Mini SAS Type
- Contact Area Plating  
H=30u" Gold With RoHS Compliance  
V=15u" Gold With RoHS Compliance

**ATTACHMENT**

LD2136*-M8K**	1.96 [.077]	THROUGH HOLE	DUAL KEY
LD2136*-M8J**	1.96 [.077]	THROUGH HOLE	RIGHT KEY
LD2136*-M8H**	1.96 [.077]	THROUGH HOLE	LEFT KEY
LD2136*-M8G**	1.96 [.077]	RETENTION	UNIVERSAL
LD2136*-M8F**	1.96 [.077]	RETENTION	RIGHT KEY
LD2136*-M8E**	1.96 [.077]	RETENTION	LEFT KEY
LD2136*-M89**	2.79 [.110]	THROUGH HOLE	LEFT KEY
LD2136*-M88**	2.79 [.110]	THROUGH HOLE	RIGHT KEY
LD2136*-M87**	2.79 [.110]	THROUGH HOLE	DUAL KEY
LD2136*-M85**	3.56 [.140]	THROUGH HOLE	UNIVERSAL
PRODUCT No.	DIM.H	SHELL P.C.B. OPTION	SHELL KEY OPTION

LD2136*-M8Y**	1.96 [.077]	RETENTION	DUAL KEY
LD2136*-M8W**	3.18 [.125]	THROUGH HOLE	UNIVERSAL
LD2136*-M8V**	1.96 [.077]	THROUGH HOLE	UNIVERSAL
LD2136*-M8U**	2.79 [.110]	THROUGH HOLE	UNIVERSAL
LD2136*-M8S**	3.56 [.140]	THROUGH HOLE	DUAL KEY
LD2136*-M8R**	3.56 [.140]	THROUGH HOLE	RIGHT KEY
LD2136*-M8Q**	3.56 [.140]	THROUGH HOLE	LEFT KEY
LD2136*-M8N**	3.18 [.125]	THROUGH HOLE	DUAL KEY
LD2136*-M8M**	3.18 [.125]	THROUGH HOLE	RIGHT KEY
LD2136*-M8L**	3.18 [.125]	THROUGH HOLE	LEFT KEY
PRODUCT No.	DIM.H	SHELL P.C.B. OPTION	SHELL KEY OPTION