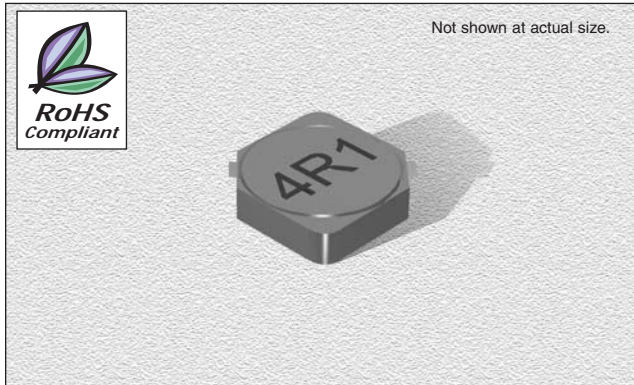


CTCDRH5D18F Series

From 3.3 μH to 330 μH

ENGINEERING KIT #44



CHARACTERISTICS

Description: SMD (shielded) power inductor

Applications: Power supplies for VTR, OA equipment, LCD televisions, PC notebooks, portable communication equipment, DC/DC converters, etc.

Operating Temperature: -40°C to +85°C

Inductance Tolerance: $\pm 20\%$, $\pm 30\%$

Testing: Tested on a HP4284A at 10 KHz, 0.25Vrms, 0Adc

Packaging: Tape & Reel

Marking: Parts are marked with inductance code

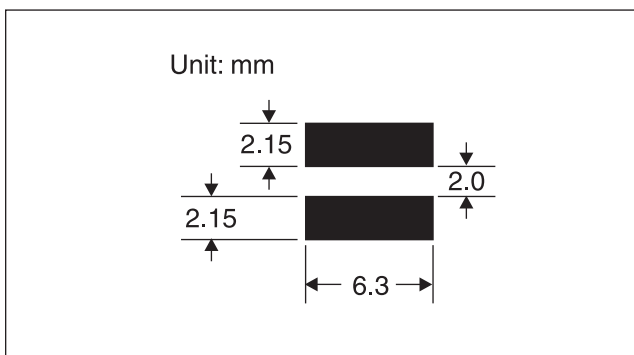
Rated DC Current: Indicates the current when the inductance decreases to 65% of its initial value or D.C. current when the temperature of coil is increased by 30% the smaller one is defined as rated current.

Miscellaneous: RoHS Compliant.

Additional Information: Additional electrical & physical information available upon request

Samples available. See website for ordering information.

PAD LAYOUT



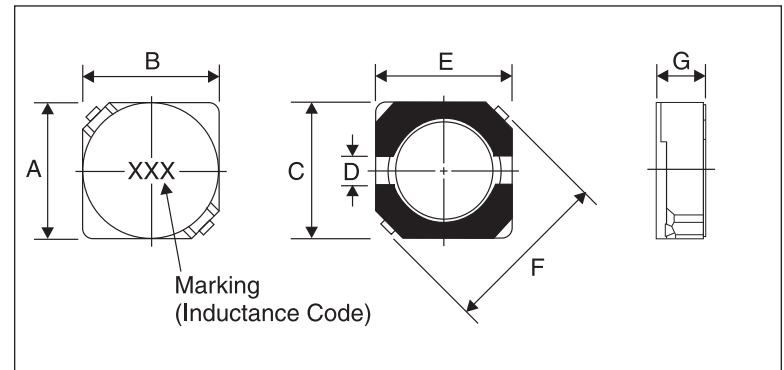
SPECIFICATIONS

Please specify tolerance code when ordering.
CTCDRH5D18F-3R3_ ← M = $\pm 20\%$, N = $\pm 30\%$

| Part Number | Inductance (μH) | L Test Freq. (kHz) | DCR Max. (m Ω) | Rated DC Current (A) |
|------------------|------------------------------|--------------------|------------------------|----------------------|
| CTCDRH5D18F-3R3_ | 3.3 | 10 | 50 | 2.15 |
| CTCDRH5D18F-4R1_ | 4.1 | 10 | 57 | 1.95 |
| CTCDRH5D18F-5R4_ | 5.4 | 10 | 76 | 1.60 |
| CTCDRH5D18F-6R2_ | 6.2 | 10 | 96 | 1.40 |
| CTCDRH5D18F-6R8_ | 6.8 | 10 | 115 | 1.35 |
| CTCDRH5D18F-8R9_ | 8.9 | 10 | 116 | 1.25 |
| CTCDRH5D18F-100_ | 10 | 10 | 124 | 1.20 |
| CTCDRH5D18F-120_ | 12 | 10 | 153 | 1.10 |
| CTCDRH5D18F-150_ | 15 | 10 | 196 | 0.97 |
| CTCDRH5D18F-180_ | 18 | 10 | 210 | 0.85 |
| CTCDRH5D18F-220_ | 22 | 10 | 290 | 0.80 |
| CTCDRH5D18F-270_ | 27 | 10 | 330 | 0.75 |
| CTCDRH5D18F-330_ | 33 | 10 | 386 | 0.65 |
| CTCDRH5D18F-390_ | 39 | 10 | 520 | 0.57 |
| CTCDRH5D18F-470_ | 47 | 10 | 595 | 0.54 |
| CTCDRH5D18F-560_ | 56 | 10 | 665 | 0.50 |
| CTCDRH5D18F-680_ | 68 | 10 | 840 | 0.43 |
| CTCDRH5D18F-820_ | 82 | 10 | 978 | 0.41 |
| CTCDRH5D18F-101_ | 100 | 10 | 1200 | 0.36 |
| CTCDRH5D18F-121_ | 120 | 10 | 1500 | 0.33 |
| CTCDRH5D18F-151_ | 150 | 10 | 1710 | 0.31 |
| CTCDRH5D18F-181_ | 180 | 10 | 2240 | 0.28 |
| CTCDRH5D18F-221_ | 220 | 10 | 2440 | 0.23 |
| CTCDRH5D18F-271_ | 270 | 10 | 3380 | 0.21 |
| CTCDRH5D18F-331_ | 330 | 10 | 4340 | 0.18 |

PHYSICAL DIMENSIONS

| Size | A | B | C | D | E | F | G |
|--------|-----------------|-----------------|-------|------|-------|------|------|
| | | | | | | Max. | Max. |
| mm | 5.7 \pm 0.3 | 5.7 \pm 0.3 | 5.5 | 2.0 | 5.5 | 8.2 | 2.0 |
| inches | 0.22 \pm 0.01 | 0.22 \pm 0.01 | 0.217 | 0.08 | 0.217 | 0.32 | 0.08 |



09.10.09