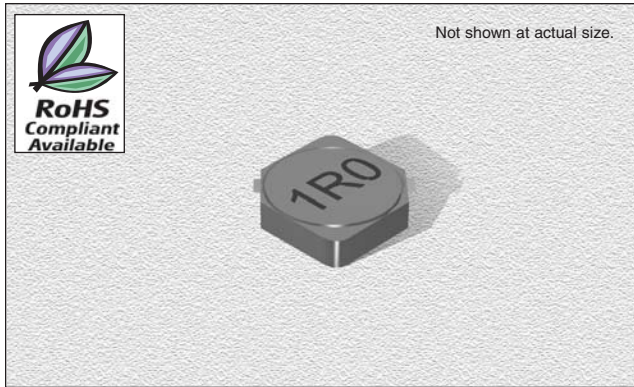


CTCDRH4D18 Series

From 1.0 μH to 180 μH

ENGINEERING KIT #43



SPECIFICATIONS

Parts are available in $\pm 30\%$ tolerance only.
CTCDRH4D18E Please specify "F" for RoHS Compliant

| Part Number | Inductance @ 0.25Vrms,0Adc ($\mu\text{H} \pm 30\%$) | L Test Freq. (.Hz) | DCR Max. (m Ω) | Rated DC Current (A) |
|------------------|---|--------------------|------------------------|----------------------|
| CTCDRH4D18_-1R0N | 1.0 | 7.96M | 45 | 1.72 |
| CTCDRH4D18_-2R2N | 2.2 | 7.96M | 75 | 1.32 |
| CTCDRH4D18_-2R7N | 2.7 | 7.96M | 105 | 1.28 |
| CTCDRH4D18_-3R3N | 3.3 | 7.96M | 110 | 1.04 |
| CTCDRH4D18_-3R9N | 3.9 | 7.96M | 155 | 0.88 |
| CTCDRH4D18_-4R7N | 4.7 | 7.96M | 162 | 0.84 |
| CTCDRH4D18_-5R6N | 5.6 | 7.96M | 170 | 0.80 |
| CTCDRH4D18_-6R8N | 6.8 | 7.96M | 200 | 0.76 |
| CTCDRH4D18_-8R2N | 8.2 | 7.96M | 245 | 0.68 |
| CTCDRH4D18_-100N | 10 | 100k | 200 | 0.61 |
| CTCDRH4D18_-120N | 12 | 100k | 210 | 0.56 |
| CTCDRH4D18_-150N | 15 | 100k | 240 | 0.50 |
| CTCDRH4D18_-180N | 18 | 100k | 338 | 0.48 |
| CTCDRH4D18_-220N | 22 | 100k | 397 | 0.41 |
| CTCDRH4D18_-270N | 27 | 100k | 441 | 0.35 |
| CTCDRH4D18_-330N | 33 | 100k | 694 | 0.32 |
| CTCDRH4D18_-390N | 39 | 100k | 709 | 0.30 |
| CTCDRH4D18_-470N | 47 | 100k | 922 | 0.28 |
| CTCDRH4D18_-560N | 56 | 100k | 1080 | 0.26 |
| CTCDRH4D18_-680N | 68 | 100k | 1300 | 0.24 |
| CTCDRH4D18_-820N | 82 | 100k | 1560 | 0.22 |
| CTCDRH4D18_-101N | 100 | 100k | 1730 | 0.20 |
| CTCDRH4D18_-121N | 120 | 100k | 2390 | 0.18 |
| CTCDRH4D18_-151N | 150 | 100k | 2840 | 0.15 |
| CTCDRH4D18_-181N | 180 | 100k | 4000 | 0.14 |

CHARACTERISTICS

Description: SMD (shielded) power inductor

Applications: Power supplies for VTR, OA equipment, LCD televisions, PC notebooks, portable communication equipment, DC/DC converters, etc.

Operating Temperature: -30°C to $+80^{\circ}\text{C}$

Inductance Tolerance: $\pm 30\%$

Testing: Tested on a HP4285A at specified frequency

Packaging: Tape & Reel

Marking: Parts are marked with inductance code

Rated DC Current: Indicates the current when the inductance decreases to 65% more than its nominal value and temperature rising $\Delta t=40^{\circ}\text{C}$ lower at D.C. superposition

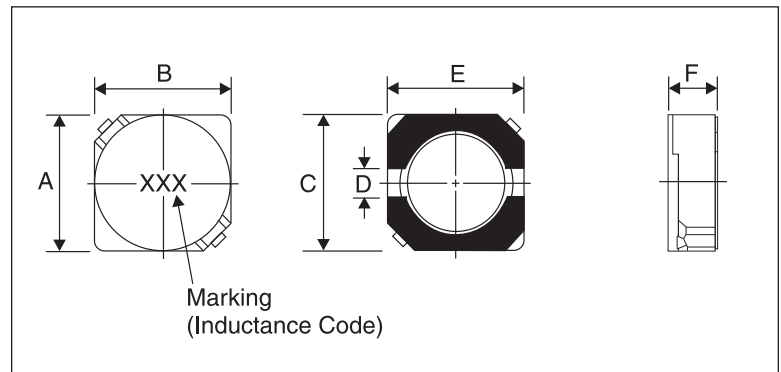
Miscellaneous: RoHS Compliant available

Additional Information: Additional electrical & physical information available upon request

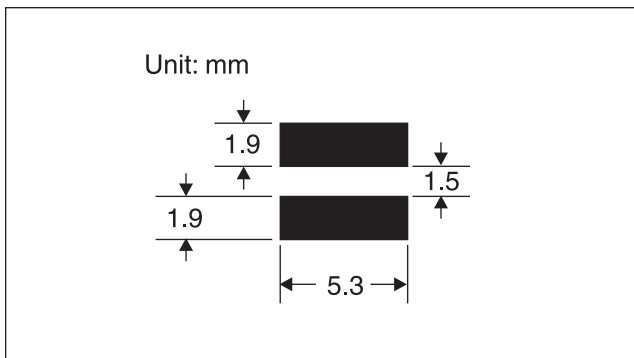
Samples available. See website for ordering information.

PHYSICAL DIMENSIONS

| Size | A | B | C | D | E | F Max. |
|--------|-----------------|-----------------|-------|------|-------|-----------|
| mm | 4.7 \pm 0.3 | 4.7 \pm 0.3 | 4.5 | 1.5 | 4.5 | 2.0 |
| inches | 0.19 \pm 0.01 | 0.19 \pm 0.01 | 0.177 | 0.06 | 0.177 | 0.08 |



PAD LAYOUT



10.09.07