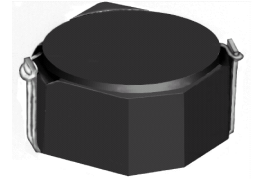
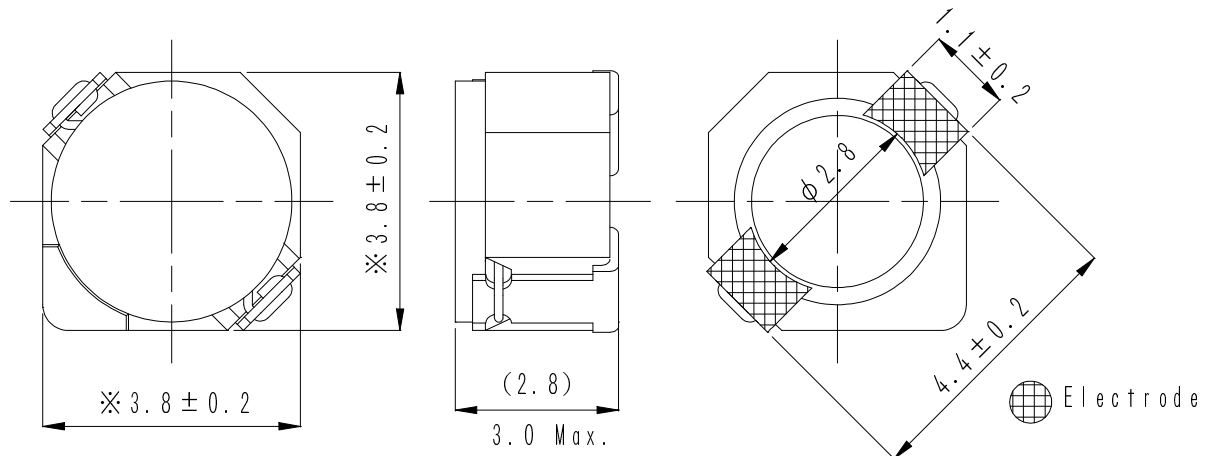
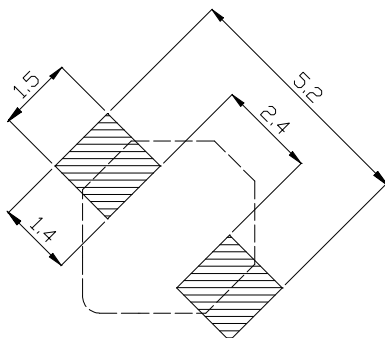


**Type: CDRH3D28/E**
**◆ Product Description**

- 4.0×4.0mm Max. (L×W), 3.0mm Max. Height.
- Inductance range: 1.0~47μH.
- Rated current range: 0.48~2.6A.
- Custom design is available.

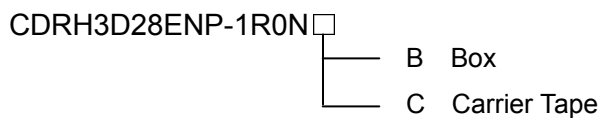

**◆ Feature**

- Magnetically shielded construction.
- Storage temperature range: -40°C ~ +105°C.
- Operating temperature range: -40°C ~ +105°C (Including coil's self temperature rise).
- Ideally used in Mobile phone, PDA, MP3, DSC/DVC, Portable DVD, etc as DC-DC converter inductors.
- RoHS compliance and Halogen Free.

**◆ Dimensions (mm)**

**◆ Land Pattern (mm)**


**Type: CDRH3D28/E**
**◆ Specification**

Part Name ※	Stamp	Inductance ( $\mu$ H) 100kHz/1V	D.C.R.(m $\Omega$ ) Max.(Typ.) (20°C)	Saturation Current (A) ※1		Temperature Rise Current (A) ※2
				at 20°C	at 100°C	
CDRH3D28ENP-1R0N□	A	1.0 $\pm$ 30%	37.5(30.0)	3.00	2.40	2.60
CDRH3D28ENP-1R5N□	B	1.5 $\pm$ 30%	44.6(35.7)	2.60	2.00	2.20
CDRH3D28ENP-2R2N□	C	2.2 $\pm$ 30%	52.0(41.6)	2.45	1.90	2.05
CDRH3D28ENP-3R3N□	D	3.3 $\pm$ 30%	72.1(57.7)	2.00	1.48	1.85
CDRH3D28ENP-4R7N□	E	4.7 $\pm$ 30%	88.3(70.6)	1.65	1.20	1.62
CDRH3D28ENP-6R8N□	F	6.8 $\pm$ 30%	119(95.0)	1.24	0.94	1.32
CDRH3D28ENP-100N□	G	10 $\pm$ 30%	145(116)	1.05	0.80	1.18
CDRH3D28ENP-150N□	H	15 $\pm$ 30%	213(170)	0.90	0.64	1.02
CDRH3D28ENP-220N□	I	22 $\pm$ 30%	335(268)	0.73	0.53	0.74
CDRH3D28ENP-330N□	J	33 $\pm$ 30%	481(385)	0.58	0.44	0.63
CDRH3D28ENP-470N□	K	47 $\pm$ 30%	599(479)	0.48	0.36	0.56

**※ Description of part name**


※1.Saturation current: The DC current at which the inductance decreases to 65% of its nominal value.

※2.Temperature rise current:The DC current at which the temperature rise is  $\Delta t=40^{\circ}\text{C}$ .( $T_a=20^{\circ}\text{C}$ )