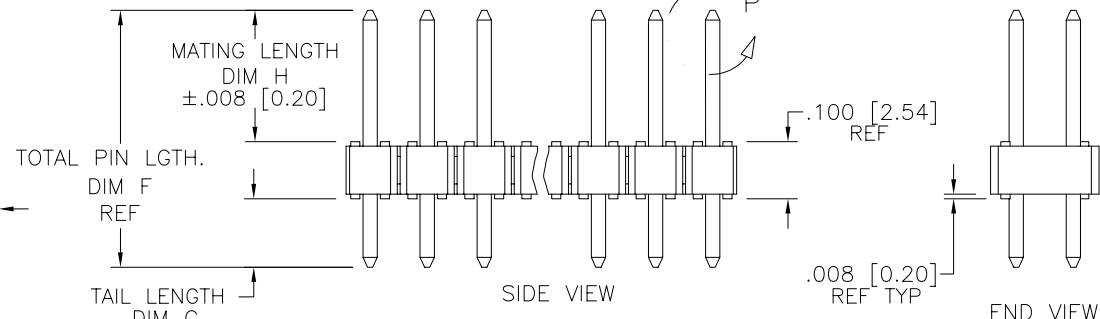
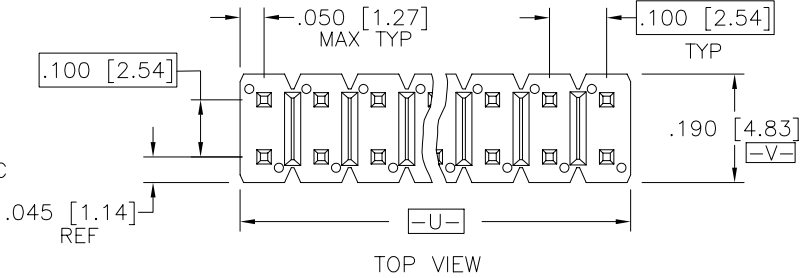


PRODUCT NUMBER

XXXXX-YYY HPLF

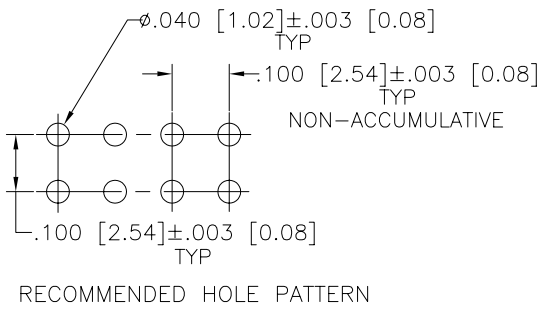
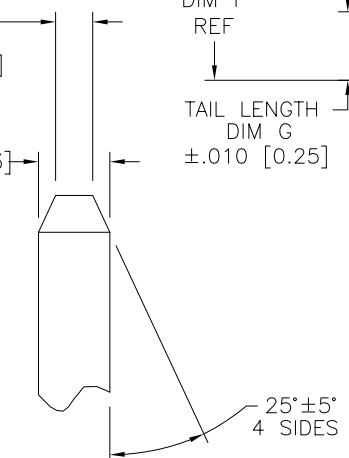
- LEAD FREE OPTION
SEE NOTE 1,13
- SPECIAL OPTIONS
SEE NOTE 1 OR 10
- HIGH TEMPERATURE PLASTIC
SEE NOTE 1
- NO. OF POSITIONS
SEE NOTE 1
- PIN PLATING
SEE SHEET 2
- BASE PART NO.



NOTE 6

Ø.013 [0.33] MAX TYP
Ø.020/0.51 [M][U][V][S]
NOTE 4

Ø.025 [0.64] ±.001 [0.03] TYP



mat'l. code SEE NOTES 2 & 3		surface ISO 1302 ✓		tolerance ISO 406 ISO 1101		projection INCH/MM		product family BERGSTIK	
ltr ecn no dr date		tolerances unless otherwise specified		angles linear		scale 1:1		title BERGSTIK® II HDR. D/R .100/2.54cc STRAIGHT	
CP	V20801	GIP	04/29/02		.XX±.01/0.3			dwg no 67996	
CR	V21675	GIP	10/22/02		.xxx±.005/0.13			sheet 1 of 8 size A3	
CS	V21800	TAB	12/19/03	0'±2'	.xxx±.0020/0.051			type Product Customer Drawing	
CT	v03-0257	DAI	03/05/03	dr	T.BREWBAKER	12/21/94			
CU	M04-0234	MHT	12/29/04	engr	T.HANNA	12/21/94			
CV	M05-0072	MHT	5/03/05	chr	J.MURPHY	12/21/94			
CW	M06-0268	MHT	7/17/06	appd	T.HANNA	12/21/94			
sheet	revision	CW	CW	CW	CW	CW	CW	CW	CW
index	sheet	1	2	3	4	5	6	7	8

PIN PLATING CODES:	
XXXX-1YY	30u"/0.76u MIN (SEE NOTE 14) OVER 50u"/1.27u MIN Ni
XXXX-2YY	15u"/0.38u MIN (SEE NOTE 14) OVER 50u"/1.27u MIN Ni
XXXX-3YY	50u"/1.27u MIN Au OVER 50u"/1.27u MIN Ni
XXXX-4YY	TIN LEAD OPTION 120u"/3.05u MIN 93/7 SnPb OVER 50u"/1.27u MIN Ni
	LF OPTION 100u"/2.54u MIN Sn OVER 50u"/1.27u MIN Ni (SEE NOTE 1,15)
XXXX-5YY	15u"/0.38u MIN (SEE NOTE 14) OVER 50u"/1.27u MIN Ni
XXXX-6YY	30u"/0.76u MIN (SEE NOTE 14) OVER 50u"/1.27u MIN Ni
XXXX-7YY	30u"/0.76u MIN Au OVER 50u"/1.27u MIN Ni
XXXX-8YY	15u"/0.38u MIN Au OVER 50u"/1.27u MIN Ni
XXXX-9YY	15u"/0.38u MIN GXT OVER 50u"/1.27u MIN Ni
XXXX-0YY	30u"/0.76u MIN GXT OVER 50u"/1.27u MIN Ni

NOTES

① PART NUMBER OPTIONS:

PIN PLATING CODES (SEE ABOVE)

HIGH TEMPERATURE MATERIAL:

FOR HIGH-TEMPERATURE APPLICATIONS, SPECIFY AN "H" AT THE END OF THE PART NUMBER, AND PCT WILL BE SUPPLIED.

NUMBER OF POSITIONS :

EVEN NUMBER OF POSITIONS FROM 2 (2X1) THROUGH 72 (2X36).
 -X00H INDICATES BERGSTRIK PRODUCT. SEE PAGE 3 FOR SPECIAL GEOMETRY OF THIS CONTINUOUS STRIP PRODUCT. AUTOMATED REELS WILL CONTAIN 45,000 PINS. SEE SPECIFIC PART NUMBERS FOR AVAILABILITY.

PACKAGING:

PACKAGED IN POLY BAGS.
 EIGHT DIGIT PART NUMBERS FOLLOWED BY A "T" ARE PACKAGED IN TUBES. SEE SPECIFIC PART NUMBERS FOR AVAILABILITY.
 EIGHT DIGIT PART NUMBERS FOLLOWED BY A "G" ARE PACKAGED IN GPAX FOR IBM ONLY. SEE SPECIFIC PART NUMBERS FOR AVAILABILITY.
 PART NUMBERS FOLLOWED BY A "C" ARE PACKAGED IN TUBES WITH A PICKUP CAP APPLIED.

LEAD FREE:

ADD "HLF" SUFFIX AT THE END OF PART NUMBER FOR LEAD FREE OPTION, NOT AVAILABLE FOR -5YY,-5YYH, -6YY & -6YYH

- ② BODY MATERIAL:
 BODY MATERIAL : MANUFACTURER'S OPTION OF NYLON OR PCT, GLASS FIBER REINFORCED, FLAME RETARDANT PER UL-94V-0. COLOR: BLACK
 BERGSTRIK™ PRODUCED WITH HIGH TEMPERATURE LCP THERMOPLASTIC, FLAME RETARDANT PER UL-94V-0. COLOR: BLACK
 PART NUMBERS WITH "H" SUFFIX WILL WITHSTAND EXPOSURE TO 260° C PEAK TEMPERATURE FOR 20 SECONDS IN WAVE SOLDER, INFRA-RED OR VAPOR PHASE SOLDER PROCESS.
 PART NUMBERS WITHOUT "H" SUFFIX WILL WITHSTAND EXPOSURE TO 260° C PEAK TEMPERATURE FOR WAVE SOLDER PROCESS.
- ③ PIN MATERIAL: PHOS BRONZE.
- ④ MEASURED WITH PART IN RESTRAINED CONDITION.
 5. TWO SIDES OF PIN TIPS NOT PLATED. TYPICAL BOTH ENDS.
- ⑥ 2LBS/0.9KG MIN PIN RETENTION IN EITHER DIRECTION.
- 7. MILITARY BERGSTIK HEADER
 P/N XXXXX-YYY-MIL
 NOT AVAILABLE.
- ⑧ ±.010/0.25 TOL APPLIES TO ALL "G" TAILS EXCEPT INDICATED PARTS ON TABLE WHERE +.010/0.25 -.000/0.00 APPLIES.
- ⑨ NOTCH CONFIGURATION WILL VARY PER VENDOR'S DISCRETION.
- ⑩ BERGSTRIK™ PART NUMBERS FOLLOWED BY BY A "B" ARE BULK PRICED.
- ⑪ TAIL LENGTH (DIM. G) TO BE ±.008/.020.
- 12. POSITIONS PER ROW 37 TO 50 CAN BE PRODUCED, BUT FLATNESS AND CURVATURE MAY NOT BE HELD AS CLOSE AS 36 POSITIONS.
- ⑬ THESE PRODUCTS MEETS EUROPEAN UNION DIRECTIVES AND OTHER COUNTRY REGULATION AS DESCRIBED IN GS-22-008.
- ⑭ PLATING OPTIONS:
 MAY BE EITHER GOLD OR GXT PLATED AT MANUFACTURER'S OPTION.
- ⑮ "THIS PRODUCT HAS 100% TIN PLATING IN THE INTERFACE AND HAS NOT BEEN TESTED FOR WHISKER GROWTH IN ALL INTERCONNECT ENVIRONMENTS."

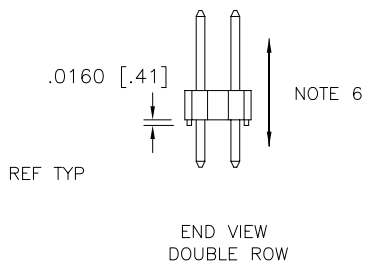
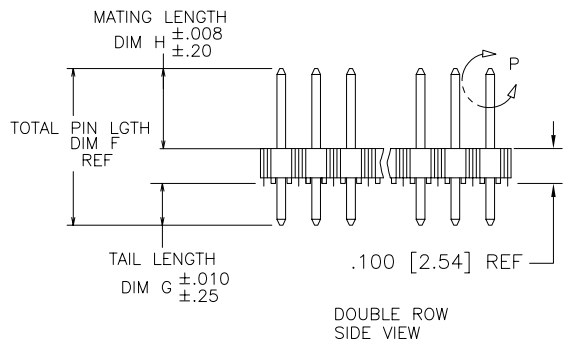
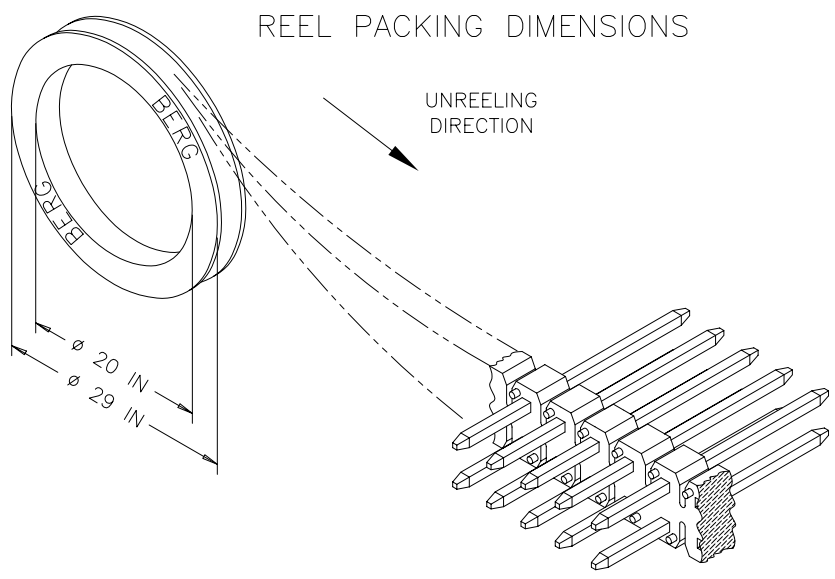
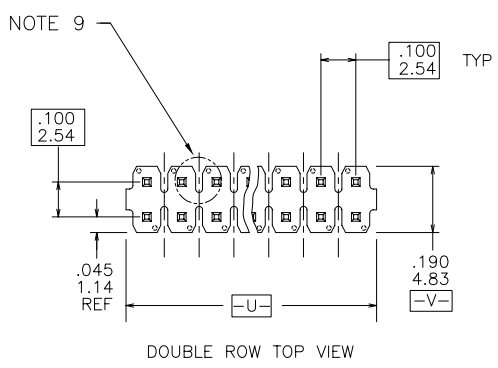


Copyright FCI

mat'l. code		surface		tolerance		projection		product family	
SEE NOTES 2 & 3		ISO 1302 ✓		ISO 406		⊕		BERGSTIK	
ltr		ecn		no		dr		date	
tolerances unless otherwise specified		linear		.XX±.01/0.3		INCH/MM		title	
angles		0'±2'		.XXX±.005/0.13		scale 1:1		BERGSTIK® II HDR. D/R	
dr		T.BREWBAKER		12/21/94		FCI		sheet 2 of 8 size	
enfr		T.HANNA		12/21/94		67996		A3	
chr		J.MURPHY		12/21/94		type		Product Customer Drawing	
appd		T.HANNA		12/21/94					
sheet index		revision sheet							

1 2 3 4 5 6

BERGSTRIPTM HEADER



FCI
FCIconnect.com

Copyright FCI

mat'l. code SEE NOTES 2 & 3		surface ISO 1302 ✓		tolerance ISO 406 ISO 1101		projection INCH/MM		product family BERGSTIK	
ltr	ecn	no	dr	date		tolerances unless otherwise specified		title	
CW						angles	linear	BERGSTIK® II HDR. D/R .100/2.54cc STRAIGHT	
						0°±2'	.xx±.01/0.3 .xxx±.005/0.13 .xxxx±.0020/0.051	scale 1:1	
						dr	T.BREWBAKER	12/21/94	dwg no
						enr	T.HANNA	12/21/94	sheet 3 of 8
						chr	J.MURPHY	12/21/94	size
						appd	T.HANNA	12/21/94	A3
sheet index		revision sheet						type Product Customer Drawing	

form: A3 1 2 3 4 5 6

PRODUCT NUMBER	1 TOT. PIN LGTH.		2 3 MATING LENGTH				PACKAGING	NOTES	BERGSTRIIP™ AVAILABLE	LF OPTION
	DIM F	DIM F	DIM G	DIM G	DIM H	DIM H				
	ENGLISH	METRIC	ENGLISH	METRIC	ENGLISH	METRIC				
55005-XYH	0.597	15.16	0.095	2.41	0.402	10.21	POLY BAGS	-	YES	NOTE 1,13
55030-XYH	0.630	16.00	0.150	3.81	0.380	9.65	POLY BAGS	-	YES	
67996-XYH	0.425	10.80	0.095	2.41	0.230	5.84	POLY BAGS/TUBES	-	YES	
67997-XYH	0.450	11.43	0.120	3.05	0.230	5.84	POLY BAGS/TUBES	-	YES	
67997-XYH	0.450	11.43	0.120	3.05	0.230	5.84	POLY BAGS/TUBES	-	YES	
67998-XYH	0.525	13.34	0.107	2.72	0.318	8.08	POLY BAGS/TUBES	-	YES	
67999-XYH	0.548	13.92	0.130	3.30	0.318	8.08	POLY BAGS	-	NO	
68438-XYH	0.555	14.10	0.225	5.72	0.230	5.84	POLY BAGS/TUBES	-	NO	
68439-XYH	0.720	18.29	0.120	3.05	0.500	12.70	POLY BAGS	-	NO	
68464-XYH	0.650	16.51	0.120	3.05	0.430	10.92	POLY BAGS/TUBES	-	NO	
68481-XYH	0.480	12.19	0.095	2.41	0.285	7.24	POLY BAGS/TUBES	-	NO	
68482-XYH	0.938	23.83	0.318	8.08	0.520	13.21	POLY BAGS	-	NO	
68491-XYH	0.475	12.07	0.120	3.05	0.255	6.48	POLY BAGS/TUBES	-	NO	
68600-XYH	0.825	20.96	0.115	2.92	0.610	15.49	POLY BAGS	-	NO	
68601-XYH	0.620	15.75	0.120	3.05	0.400	10.16	POLY BAGS	-	NO	
68602-XYH	0.480	12.19	0.150	3.81	0.230	5.84	POLY BAGS	-	NO	
68690-XYH	0.533	13.54	0.115	2.92	0.318	8.08	POLY BAGS	-	NO	
68691-XYH	0.538	13.67	0.120	3.05	0.318	8.08	POLY BAGS	-	YES	
68692-XYH	0.430	10.92	0.100	2.54	0.230	5.84	POLY BAGS	-	NO	
68693-XYH	0.938	23.83	0.520	13.21	0.318	8.08	POLY BAGS	-	NO	
68716-XYH	0.828	21.03	0.410	10.41	0.318	8.08	POLY BAGS	-	NO	
68734-XYH	0.615	15.62	0.230	5.84	0.285	7.24	POLY BAGS	-	NO	
68737-XYH	0.440	11.18	0.110	2.79	0.230	5.84	POLY BAGS	-	YES	
68738-XYH	0.615	15.62	0.115	2.92	0.400	10.16	POLY BAGS	-	NO	
68739-XYH	0.486	12.34	0.156	3.96	0.230	5.84	POLY BAGS	-	NO	
68743-XYH	0.638	16.21	0.220	5.59	0.318	8.08	POLY BAGS	-	NO	
68749-XYH	0.838	21.29	0.420	10.67	0.318	8.08	POLY BAGS	-	NO	
68779-XYH	0.736	18.69	0.318	8.08	0.318	8.08	POLY BAGS	-	NO	
68783-XYH	0.375	9.53	0.045	1.14	0.230	5.84	POLY BAGS	-	NO	
68799-XYH	0.925	23.50	0.595	15.11	0.230	5.84	POLY BAGS	-	NO	



FCIconnect.com

Copyright FCI

mat'l. code SEE NOTES 2 & 3		surface ISO 1302 ✓	tolerance ISO 406 ISO 1101	projection ⊕	product family BERGSTIK
ltr	ecn	no	dr	date	tolerances unless otherwise specified
CW					angles linear .XX±.01/0.3
					0'±2' .xxx±.005/0.13
					.xxx±.0020/0.051
			dr	T.BREWBAKER	12/21/94
			enr	T.HANNA	12/21/94
			chr	J.MURPHY	12/21/94
			appd	T.HANNA	12/21/94
sheet index	revision sheet				



title
BERGSTIK®II HDR. D/R
.100/2.54cc STRAIGHT

scale 1:1

dwg no
67996

sheet 4 of 8 size
A3

type Product Customer Drawing

PRODUCT NUMBER	TOT. PIN LGTH.		TAIL LENGTH		MATING LENGTH		PACKAGING	NOTES	BERGSTRIPTM AVAILABLE	LF OPTION
	DIM F	DIM F	DIM G	DIM G	DIM H	DIM H				
	ENGLISH	METRIC	ENGLISH	METRIC	ENGLISH	METRIC				
69132-YYY	0.760	19.30	0.120	3.05	0.540	13.72	POLY BAGS/TUBES	-	NO	NOTE 1,13
69133-YYY	0.615	15.62	0.285	7.24	0.230	5.84	POLY BAGS	-	NO	
69157-YYY	0.410	10.41	0.110	2.79	0.200	5.08	POLY BAGS	-	NO	
71217-YYYH	1.000	25.40	0.450	11.43	0.450	11.43	POLY BAGS	-	NO	
71222-YYYH	0.850	21.59	0.250	6.35	0.500	12.70	POLY BAGS	-	NO	
72273-YYYH	0.725	18.42	0.110	2.79	0.515	13.08	POLY BAGS	-	NO	
72448-YYYH	0.658	16.71	0.172	4.37	0.386	9.80	POLY BAGS	-	NO	
72455-YYYH	0.598	15.19	0.180	4.57	0.318	8.08	POLY BAGS	-	NO	
72455-632HG	0.598	15.19	0.180	4.57	0.318	8.08	GPAX	NOTE 1	NO	
73503-YYYH	0.420	10.67	0.120	3.05	0.200	5.08	POLY BAGS	-	NO	
73596-YYYH	0.795	20.19	0.110	2.79	0.585	14.86	POLY BAGS	-	NO	
74317-YYYH	0.532	13.51	0.309	7.85	0.123	3.12	POLY BAGS	NOTE 11	NO	
74318-YYYH	0.592	15.04	0.369	9.37	0.123	3.12	POLY BAGS	NOTE 11	NO	
74999-YYYH	0.508	12.90	0.090	2.29	0.318	8.08	POLY BAGS	-	NO	
78212-YYY	0.710	18.03	0.350	8.89	0.260	6.60	POLY BAGS	-	NO	
78233-YYY	0.568	14.43	0.150	3.81	0.318	8.08	POLY BAGS	-	NO	
78269-YYY	0.385	9.78	0.095	2.41	0.190	4.83	POLY BAGS	-	NO	
78286-YYY	0.500	12.70	0.160	4.06	0.240	6.10	POLY BAGS/TUBES	-	NO	
78932-YYY		UNAVAILABLE		UNAVAILABLE		UNAVAILABLE		-	-	
78933-YYY	0.695	17.65	0.285	7.24	0.310	7.87	POLY BAGS	-	NO	
78988-YYY	0.540	13.72	0.135	3.43	0.305	7.75	POLY BAGS	-	NO	
78989-YYY		UNAVAILABLE		UNAVAILABLE		UNAVAILABLE		-	-	
78990-YYY		UNAVAILABLE		UNAVAILABLE		UNAVAILABLE		-	-	
78991-YYY		UNAVAILABLE		UNAVAILABLE		UNAVAILABLE		-	-	
78992-YYY		UNAVAILABLE		UNAVAILABLE		UNAVAILABLE		-	-	
78993-YYY		UNAVAILABLE		UNAVAILABLE		UNAVAILABLE		-	-	
78994-YYY		UNAVAILABLE		UNAVAILABLE		UNAVAILABLE		-	-	

NOTE 1,13



FCIconnect.com

Copyright FCI

mat'l. code SEE NOTES 2 & 3		surface ISO 1302 ✓	tolerance ISO 406 ISO 1101	projection ⊕	product family BERGSTIK
ltr	ecn	no	dr	date	tolerances unless otherwise specified
CW					.XX±.01/0.3
					linear .XXX±.005/0.13
					0'±2' .XXX±.0020/0.051
			dr	T.BREWBAKER	12/21/94
			enr	T.HANNA	12/21/94
			chr	J.MURPHY	12/21/94
			appd	T.HANNA	12/21/94
sheet index	revision sheet				



title
BERGSTIK®II HDR. D/R
.100/2.54cc STRAIGHT

scale 1:1

dwg no 67996 sheet 5 of 8 size A3

type Product Customer Drawing

PRODUCT NUMBER	TOT. PIN LGTH.		TAIL LENGTH		MATING LENGTH		PACKAGING	NOTES	BERGSTRIPTM AVAILABLE	LF OPTION
	DIM F	DIM F	DIM G	DIM G	DIM H	DIM H				
	ENGLISH	METRIC	ENGLISH	METRIC	ENGLISH	METRIC				
78995-YYY	UNAVAILABLE	UNAVAILABLE	UNAVAILABLE	UNAVAILABLE	UNAVAILABLE	UNAVAILABLE				NOTE 1,13
78996-YYY	UNAVAILABLE	UNAVAILABLE	UNAVAILABLE	UNAVAILABLE	UNAVAILABLE	UNAVAILABLE				
79242-YYY	0.930	23.62	0.340	8.64	0.490	12.45	POLY BAGS		NO	
79243-YYY	1.230	31.24	0.390	9.91	0.740	18.80	POLY BAGS		NO	
79244-YYY	UNAVAILABLE	UNAVAILABLE	UNAVAILABLE	UNAVAILABLE	UNAVAILABLE	UNAVAILABLE				
79268-YYY	1.020	25.91	0.120	3.05	0.800	20.32	POLY BAGS		NO	
79271-YYY	1.100	27.94	0.500	12.70	0.500	12.70	POLY BAGS		NO	
79425-YYY	0.410	10.41	0.120	3.05	0.190	4.83	POLY BAGS		NO	
79821-YYY	0.730	18.54	0.200	5.08	0.430	10.92	POLY BAGS		NO	
84610-YYYH	0.380	9.65	0.120	3.05	0.160	4.06	POLY BAGS		NO	
84760-YYYH	0.870	22.09	0.150	3.81	0.620	15.74	POLY BAGS		NO	
84784-YYYH	1.130	28.70	0.122	3.09	0.908	23.06	POLY BAGS		NO	
84934-YYYH	1.375	34.93	0.625	15.88	0.650	16.51	POLY BAGS		NO	
84976-YYYH	0.730	18.54	0.400	10.16	0.230	5.84	POLY BAGS		NO	
86503-YYY	0.470	11.94	0.120	3.05	0.250	6.35	POLY BAGS		NO	
86581-YYY	0.450	11.43	0.120	3.05	0.230	5.84	POLY BAGS	NOTE 8	NO	
86817-YYY	0.925	23.50	0.120	3.05	0.705	17.91	POLY BAGS		NO	
86827-YYY	0.700	17.78	0.120	3.05	0.480	12.19	POLY BAGS		NO	
86832-YYY	0.525	13.34	0.100	2.54	0.325	8.26	POLY BAGS		NO	
86834-YYY	1.335	33.91	0.585	14.86	0.650	16.51	POLY BAGS		NO	
86836-YYY	0.870	22.10	0.120	3.05	0.650	16.51	POLY BAGS		NO	
86837-YYY	0.600	15.24	0.120	3.05	0.380	9.65	POLY BAGS		NO	
87037-YYY	1.240	31.50	0.120	3.05	1.020	25.91	POLY BAGS		NO	
87052-YYY	0.990	25.15	0.120	3.05	0.770	19.56	POLY BAGS		NO	
87203-YYY	0.545	13.84	0.150	3.81	0.295	7.49	POLY BAGS		NO	
87344-YYY	1.375	34.93	0.219	5.56	1.056	26.82	POLY BAGS		NO	NOTE 1,13



FCIconnect.com

Copyright FCI

mat'l. code SEE NOTES 2 & 3		surface ISO 1302 <input checked="" type="checkbox"/>		tolerance ISO 406 ISO 1101		projection 		product family BERGSTIK	
ltr		ecn no		dr		date		tolerances unless otherwise specified	
CW								.xx±.01/0.3	
				angles		linear		.xxx±.005/0.13	
				0'±2'				.xxxx±.0020/0.051	
				dr		T.BREWBAKER 12/21/94		INCH/MM	
				enr		T.HANNA 12/21/94		scale 1:1	
				chr		J.MURPHY 12/21/94		title BERGSTIK®II HDR. D/R .100/2.54cc STRAIGHT	
				appd		T.HANNA 12/21/94		dwg no 67996	
sheet index		revision sheet						sheet 6 of 8 size A3	
								type Product Customer Drawing	

form: A3 1 2 3 4 5 6

PRODUCT NUMBER	1 TOT. PIN LGTH.		TAIL LENGTH		2 3 MATING LENGTH		PACKAGING	NOTES	BERGSTRIPTM AVAILABLE	LF OPTION
	DIM F	DIM F	DIM G	DIM G	DIM H	DIM H				
	ENGLISH	METRIC	ENGLISH	METRIC	ENGLISH	METRIC				
87345-YYY	1.218	30.94	0.406	10.31	0.712	18.08	POLY BAGS	-	NO	NOTE 1,13
87348-YYY	0.930	23.62	0.100	2.54	0.730	18.54	POLY BAGS	-	NO	
87349-YYY	0.890	22.61	0.110	2.79	0.680	17.27	POLY BAGS	-	NO	
87381-YYY	0.645	16.38	0.100	2.54	0.445	11.30	POLY BAGS	-	NO	
87382-YYY	0.675	17.15	0.100	2.54	0.475	12.07	POLY BAGS	-	NO	
87503-YYYH	0.630	16.00	0.110	2.79	0.420	10.67	POLY BAGS	-	NO	
87869-YYY	0.690	17.53	0.230	5.84	0.360	9.14	POLY BAGS	-	NO	
87894-YYY	0.588	14.94	0.170	4.32	0.318	8.08	POLY BAGS	-	NO	
87900-YYY	0.940	23.88	0.120	3.05	0.720	18.29	POLY BAGS	-	NO	
87901-YYY	1.040	26.42	0.120	3.05	0.820	20.83	POLY BAGS	-	NO	
87903-YYY	0.963	24.46	0.337	8.56	0.526	13.36	POLY BAGS	-	NO	
88797-YYY	0.950	24.13	0.320	8.13	0.530	13.46	POLY BAGS	-	NO	
88812-YYY	0.415	10.54	0.085	2.16	0.230	5.84	POLY BAGS/TUBES	NOTE 8	NO	
88886-YYY	1.306	33.17	0.276	7.01	0.930	23.62	POLY BAGS	-	NO	
89446-YYY	0.930	23.62	0.120	3.05	0.710	18.03	POLY BAGS	-	NO	
89540-YYY	0.760	19.30	0.280	7.11	0.380	9.65	POLY BAGS	-	NO	
89542-YYY	1.065	27.05	0.125	3.18	0.840	21.34	POLY BAGS	-	NO	
89639-YYY	1.260	32.00	0.118	3.00	1.042	26.47	POLY BAGS	-	NO	
91828-YYY	0.450	11.43	0.120	3.05	0.230	5.84	TUBES	-	NO	
92417-YYY	0.530	13.46	0.110	2.79	0.320	8.13	POLY BAGS	-	NO	
93216-YYYH	0.573	14.55	0.155	3.94	0.318	8.08	POLY BAGS/TUBES	-	NO	
93216-632HG	0.573	14.55	0.155	3.94	0.318	8.08	GPAX	NOTE 1	NO	
93217-YYYH	0.395	10.03	0.095	2.41	0.200	5.08	POLY BAGS	-	NO	
93254-YYY	0.563	14.30	0.110	2.79	0.353	8.97	POLY BAGS	-	NO	



FCJconnect.com

Copyright FCJ

mat'l. code SEE NOTES 2 & 3		surface ISO 1302 ✓	tolerance ISO 406 ISO 1101	projection ⊕	product family BERGSTIK
ltr	ecn	no	dr	date	tolerances unless otherwise specified
CW					angles linear .xx±.01/0.3
					0'±2' .xxx±.005/0.13
					.xxx±.0020/0.051
			dr	T.BREWBAKER	12/21/94
			enr	T.HANNA	12/21/94
			chr	J.MURPHY	12/21/94
			appd	T.HANNA	12/21/94
sheet index	revision sheet				



title
BERGSTIK®II HDR. D/R
.100/2.54cc STRAIGHT

scale 1:1

dwg no 67996 sheet 7 of 8 size A3

type Product Customer Drawing

PRODUCT NUMBER	TOT. PIN LGTH.		TAIL LENGTH		MATING LENGTH		PACKAGING	NOTES	BERGSTRIPTM AVAILABLE	LF OPTION
	DIM F	DIM F	DIM G	DIM G	DIM H	DIM H				
	ENGLISH	METRIC	ENGLISH	METRIC	ENGLISH	METRIC				
94010-YYYH	0.756	19.20	0.350	8.89	0.306	7.77	POLY BAGS	-	NO	NOTE 1,13 ↓
94532-YYYH	1.250	31.75	0.450	11.43	0.700	17.78	POLY BAGS	-	NO	
95105-YYY	0.370	9.40	0.126	3.20	0.144	3.66	POLY BAGS	-	NO	
95645-YYYH	0.350	8.89	0.100	2.54	0.150	3.81	POLY BAGS	-	NO	
95652-YYYH	0.500	12.70	0.070	1.78	0.330	8.38	POLY BAGS	-	NO	
95665-YYYH	0.835	21.21	0.335	8.51	0.400	10.16	POLY BAGS	-	NO	
95687-YYYH	0.820	20.83	0.360	9.14	0.360	9.14	POLY BAGS	-	NO	
95712-YYYH	1.090	27.69	0.110	2.79	0.880	22.35	POLY BAGS	-	NO	
95727-YYYH	0.825	20.96	0.110	2.79	0.615	15.62	POLY BAGS	-	NO	
98181-YYYH	0.760	19.30	0.218	5.54	0.442	11.23	POLY BAGS	-	NO	
98217-YYYH	0.756	19.20	0.328	8.33	0.328	8.33	POLY BAGS	-	NO	
98329-YYYH	0.930	23.62	0.415	10.54	0.415	10.54	POLY BAGS	-	NO	
98854-YYYH	0.450	11.43	0.120	3.05	0.230	5.84	TUBES	-	NO	
10017852-YYYH	0.450	11.43	0.125	3.18	0.225	5.72	POLYBAGS	-	NO	



FCIconnect.com

Copyright FCI

mat'l. code SEE NOTES 2 & 3		surface ISO 1302 <input checked="" type="checkbox"/>	tolerance ISO 406 ISO 1101	projection 	product family BERGSTIK
ltr	ecn	no	dr	date	tolerances unless otherwise specified
CW					angles linear .XX±.01/0.3 .xxx±.005/0.13 .xxxx±.0020/0.051
					0°±2'
					dr T.BREWBAKER 12/21/94
					enr T.HANNA 12/21/94
					chr J.MURPHY 12/21/94
					appd T.HANNA 12/21/94
sheet index	revision sheet				

