

# SMD Tuning Fork



Model: FSXLF

RoHS Compliant / PB Free

Rev. 9/2/2010

Page 1 of 2

[http://www.foxonline.com/need\\_a\\_sample.htm](http://www.foxonline.com/need_a_sample.htm)

Need a  
Sample®

## FEATURES

- Extremely Small Size
- Low Cost
- 1.4mm Height Max
- Tape and Reel (3,000 pcs. STD)

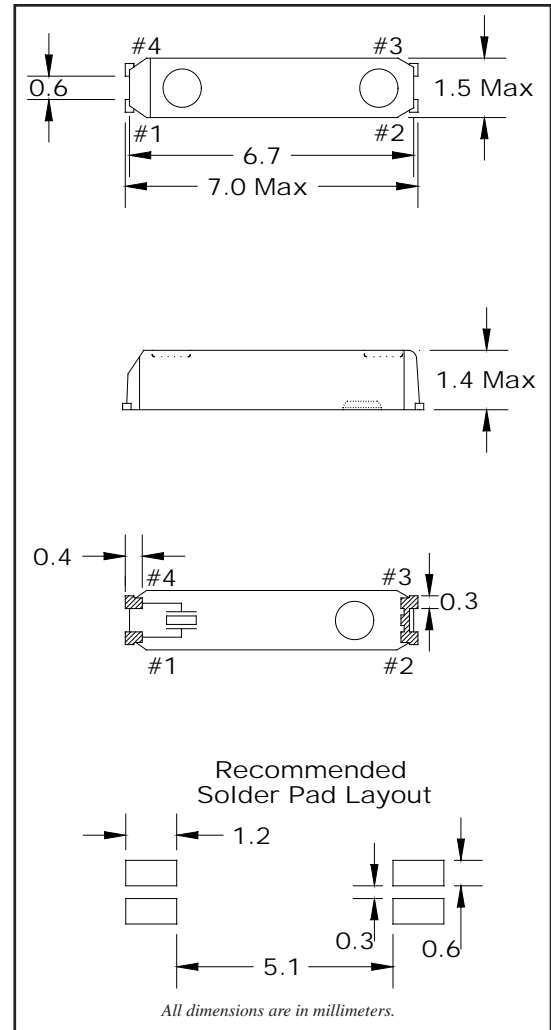
## • PART NUMBER [Learn More](#) - Internet Required

Part Number	Model Number	Frequency Stability	Operating Temperature	Frequency
501LF-Frequency-xxxxx	FSXLF	-0.04PPM/( $\Delta^{\circ}\text{C}$ ) <sup>2</sup>	-40 ~ +85 °C	32.768 kHz

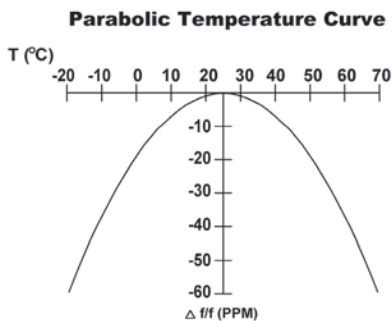
## • STANDARD SPECIFICATIONS

PARAMETERS	MAX (unless otherwise noted)
Frequency Range	32.768 kHz
Frequency Tolerance @ 25°C	±20 PPM
Frequency Stability, ref @ 25°C	-0.04PPM/( $\Delta^{\circ}\text{C}$ ) <sup>2</sup>
Temperature Range	
Turnover (T <sub>O</sub> )	+20°C ~ +30°C
Operating (T <sub>OPR</sub> )	-40°C ~ +85°C
Storage (T <sub>STG</sub> )	-55°C ~ +125°C
Equivalent Series Resistance	65 kΩ
Load Capacitance (CL)	7 pF, 12.5pF Typ
Insulation Resistance @ 100VDC	500 MΩ Min
Drive Level	1.0 μW
Aging	±3 PPM
Termination Finish	Matte Sn

All specifications subject to change without notice.



Note: Pins #2 and #3 should be electrically unconnected (open).



To determine frequency stability, use parabolic curvature (K).  
For example: What is stability at 45°C?

- 1) Change in T (°C) = 45-25 = 20°C
- 2) Change in frequency = -0.04 PPM \* ( $\Delta^{\circ}\text{C}$ )<sup>2</sup>  
= -0.04 PPM \* (20)<sup>2</sup>  
= -16.0 PPM

# SMD Tuning Fork



Model: FSXLF

RoHS Compliant / PB Free

Rev. 9/2/2010

Page 2 of 2

[http://www.foxonline.com/need\\_a\\_sample.htm](http://www.foxonline.com/need_a_sample.htm)



• TAPE SPECIFICATIONS (millimeters)							
MODEL	A	B	C	D	E	F	STD Reel QTY
FSXLF	∅1.5	4.0	8.0	7.5	16.0	1.6	3,000

• REEL SPECIFICATIONS (millimeters)							
MODEL	G	H	I	J	K	L	M
FSXLF	2.0	∅13	∅21	∅50	∅330	16.4	2.0

