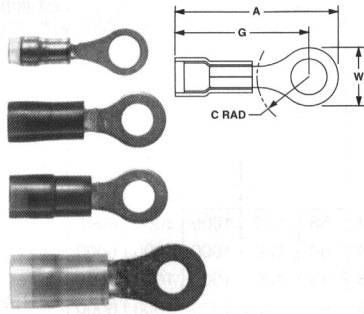


RING TERMINALS

Nylon Insulated

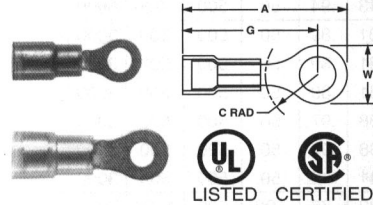
- Insulation Grip Sleeve



PANDUIT® Part Number	Wire Range	Color Code	Max. Ins.	Stud Size	Dimensions (in.)				Std. Pkg. Qty.	Std. Ctn. Qty.	Bulk Pkg. Qty.	Bulk Ctn. Qty.	Crimp Tools
					A	W	C	G					
PN22-2R-C	26-22 .02" Thick Stock	Yellow	.090	#2	.69	.20	.18	.59	100	1000	1000	6000	CT-100 CT-600 CT-1525
PN22-4R-C				#4	.69	.20	.18	.59	100	1000	1000	6000	
PN22-6R-C				#6	.69	.20	.18	.59	100	1000	1000	6000	
PN22-8R-C				#8	.78	.26	.26	.65	100	1000	1000	6000	
PN22-10R-C				#10	.78	.31	.24	.62	100	1000	1000	6000	
PN18-4RN-C	22-18 .03" Thick Stock	Red	.145	#4	.74	.22	.18	.63	100	500	1000	6000	
PN18-4R-C				#4	.80	.25	.22	.67	100	500	1000	6000	
PN18-6RN-C				#6	.77	.22	.18	.63	100	500	1000	6000	
PN18-6R-C				#6	.80	.25	.22	.67	100	500	1000	6000	
PN18-8R-C				#8	.86	.31	.25	.70	100	500	1000	6000	
PN18-10R-C				#10	.88	.31	.25	.70	100	500	1000	6000	
PN18-14R-C				1/4"	1.09	.45	.38	.80	100	500	1000	6000	
PN18-56R-C	5/16"	1.09	.46	.38	.84	100	500	1000	6000				
PN18-38R-C	3/8"	1.17	.53	.43	.91	100	500	1000	6000				
PN14-4R-C	16-14 .03" Thick Stock	Blue	.162	#4	.78	.25	.20	.66	100	500	1000	6000	CT-100‡ CT-600‡ CT-1550‡ CT-1551‡
PN14-6RN-C				#6	.76	.25	.20	.63	100	500	1000	6000	
PN14-6R-C				#6	.85	.31	.25	.71	100	500	1000	6000	
PN14-8R-C				#8	.85	.31	.25	.68	100	500	1000	6000	
PN14-10R-C				#10	.85	.31	.25	.68	100	500	1000	6000	
PN14-14R-C				1/4"	1.05	.46	.38	.82	100	500	1000	6000	
PN14-56R-C				5/16"	1.05	.46	.38	.82	100	500	1000	6000	
PN14-38R-L	3/8"	1.14	.53	.43	.86	50	500	1000	6000				
PN10-6R-L	12-10 .04" Thick Stock	Yellow	.225	#6	1.08	.37	.31	.90	50	500	1000	6000	
PN10-8R-L				#8	1.08	.37	.31	.90	50	500	1000	6000	
PN10-10R-L				#10	1.08	.38	.31	.90	50	500	1000	6000	
PN10-14R-L				1/4"	1.26	.52	.38	.97	50	500	1000	6000	
PN10-56R-L				5/16"	1.23	.52	.38	.97	50	500	1000	6000	
PN10-38R-L				3/8"	1.33	.58	.43	1.02	50	500	1000	6000	
PN14-4RX-C	16-14 .03" Thick Stock	Blue	.200	#4	.84	.25	.20	.71	100	500	1000	6000	CT-100‡ CT-600‡ CT-1550‡ CT-1551‡
PN14-6RX-C				#6	.93	.31	.25	.77	100	500	1000	6000	
PN14-8RX-C				#8	.93	.31	.25	.77	100	500	1000	6000	
PN14-10RX-C				#10	.93	.31	.25	.77	100	500	1000	6000	
PN14-14RX-C				1/4"	1.13	.46	.38	.90	100	500	1000	6000	
PN14-56RX-C				5/16"	1.13	.46	.38	.90	100	500	1000	6000	
PN14-38RX-L	3/8"	1.22	.53	.43	.95	50	500	1000	6000				
PN10-6RX-L	12-10 .04" Thick Stock	Yellow	.265	#6	1.13	.37	.33	.94	50	500	500	3000	CT-100‡ CT-600‡ CT-1550‡ CT-1551‡
PN10-8RX-L				#8	1.13	.37	.33	.94	50	500	500	3000	
PN10-10RX-L				#10	1.13	.37	.33	.94	50	500	500	3000	
PN10-14RX-L				1/4"	1.27	.52	.42	1.01	50	500	500	3000	
PN10-56RX-L				5/16"	1.27	.52	.42	1.01	50	500	500	3000	
PN10-38RX-L				3/8"	1.35	.58	.46	1.06	50	500	500	3000	
PNF18-4R-C	22-18 .03" Thick Stock	Red	.136	#4	.77	.25	.20	.65	100	500	1000	6000	
PNF18-6RN-C				#6	.76	.22	.18	.65	100	500	1000	6000	
PNF18-6R-C				#6	.77	.25	.20	.63	100	500	1000	6000	
PNF18-8R-C				#8	.87	.31	.24	.72	100	500	1000	6000	
PNF18-10R-C				#10	.87	.32	.25	.72	100	500	1000	6000	
PNF18-14R-C				1/4"	1.08	.46	.38	.85	100	500	1000	6000	
PNF18-56R-C				5/16"	1.08	.46	.39	.85	100	500	1000	6000	
PNF18-38R-C	3/8"	1.16	.53	.41	.90	100	500	1000	6000				
PNF14-4R-C	16-14 .03" Thick Stock	Blue	.162	#4	.78	.25	.18	.66	100	500	1000	6000	CT-100‡ CT-600‡ CT-1550‡ CT-1551‡
PNF14-6RN-C				#6	.78	.25	.18	.63	100	500	1000	6000	
PNF14-6R-C				#6	.87	.31	.24	.71	100	500	1000	6000	
PNF14-8R-C				#8	.87	.31	.25	.71	100	500	1000	6000	
PNF14-10R-C				#10	.85	.31	.29	.71	100	500	1000	6000	
PNF14-14R-C				1/4"	1.06	.46	.40	.85	100	500	1000	6000	
PNF14-56R-C				5/16"	1.06	.46	.40	.85	100	500	1000	6000	
PNF14-38R-L	3/8"	1.14	.53	.45	.89	50	500	1000	6000				
PNF10-6R-L	12-10 .04" Thick Stock	Yellow	.225	#6	1.12	.37	.31	.91	50	500	500	3000	
PNF10-8R-L				#8	1.12	.37	.31	.91	50	500	500	3000	
PNF10-10R-L				#10	1.10	.37	.31	.89	50	500	500	3000	
PNF10-14R-L				1/4"	1.25	.52	.38	.98	50	500	500	3000	
PNF10-56R-L				5/16"	1.21	.52	.38	.98	50	500	500	3000	
PNF10-38R-L				3/8"	1.35	.58	.43	1.04	50	500	500	3000	

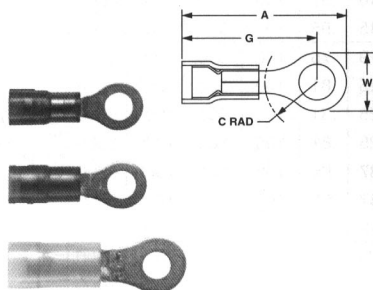
Nylon Insulated - Expanded Insulation

- Insulation Grip Sleeve
- For Large Wire Insulation O.D.



Nylon Insulated - Funnel Entry

- Insulation Grip Sleeve



‡ UL and CSA approved tooling/product combinations. Prime items appear in **BOLD**.

Order the number of pieces required in multiples of standard package quantities. L=50 pcs., C=100 pcs., D=500 pcs. and M=1000 pcs.