

32-bit Proprietary Microcontroller

CMOS

FR60Lite MB91260B Series

MB91263B/MB91264B/MB91F264B

■ DESCRIPTION

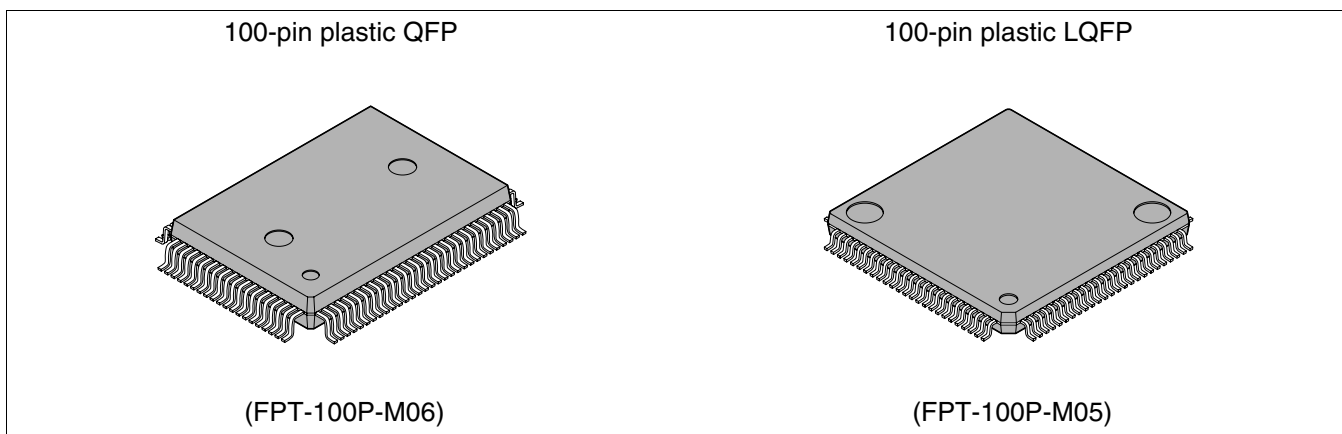
The MB91260B series is a 32-bit RISC microcontroller designed by Fujitsu Microelectronics for embedded control applications which require high-speed processing.

The CPU is used the FR family and the compatibility of FR60Lite.

■ FEATURES

- FR60Lite CPU
 - 32-bit RISC, load/store architecture with a five-stage pipeline
 - Maximum operating frequency : 33 MHz (oscillation frequency 4.192 MHz, oscillation frequency 8-multiplier (PLL clock multiplication method))
 - 16-bit fixed length instructions (basic instructions)
 - Execution speed of instructions : 1 instruction per cycle
 - Memory-to-memory transfer, bit handling, barrel shift instructions, etc. : Instructions suitable for embedded applications
 - Function entry/exit instructions, multiple-register load/store instructions : Instructions adapted for C-language
- (Continued)*

■ PACKAGES

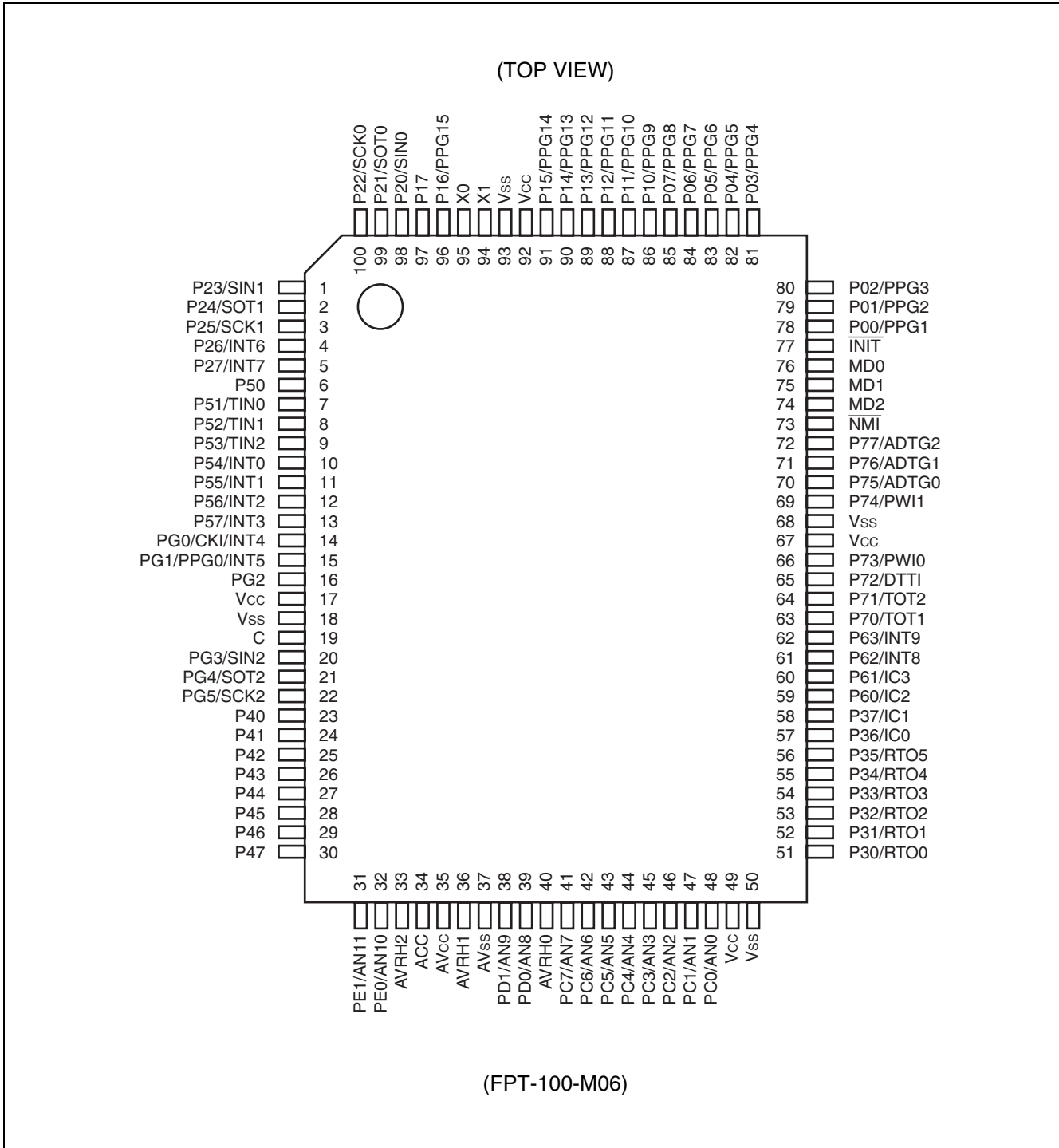


MB91260B Series

(Continued)

- Register interlock function : Facilitates coding in assembler.
- Built-in multiplier with instruction-level support
 - 32 bit multiplication with sign : 5 cycles
 - 16 bit multiplication with sign : 3 cycles
- Interrupt (PC, PS save) : 6 cycles, 16 priority levels
- Harvard architecture allowing program access and data access to be executed simultaneously
- FR family instruction compatible
- Internal peripheral functions
 - Capacity of internal ROM and ROM type
 - MASK ROM : 128 Kbytes (MB91263B)/256 Kbytes (MB91264B)
 - FLASH ROM : 256 Kbytes (MB91F264B)
 - Capacity of internal RAM : 8 Kbytes
 - A/D converter (sequential comparison type)
 - Resolution : 10 bits : 2 channels × 2 units, 8 channels × 1 unit
 - Conversion time : 1.2 μs (Minimum conversion time system clock at 33 MHz)
1.35 μs (Minimum conversion time system clock at 20 MHz)
 - External interrupt input : 10 channels
 - Bit search module (for REALOS)
 - Function for searching the MSB in each word for the first 1-to-0 inverted bit position
 - UART (Full-duplex double buffer) : 3 channels
 - Selectable parity On/Off
 - Asynchronous (start-stop synchronized) or clock-synchronous communications selectable
 - Internal timer for dedicated baud rate (U-Timer) on each channel
 - External clock can be used as transfer clock
 - Error detection function for parity, frame and overrun errors
 - 8/16-bit PPG timer : 16 channels (at 8-bit) / 8 channels (at 16-bit)
 - 16-bit reload timer : 3 channels (with cascade mode, without output of reload timer 0)
 - 16-bit free-run timer : 1 channel
 - 16-bit PWC timer : 2 channels
 - Input capture : 4 channels (interface with free-run timer)
 - Output compare : 6 channels (interface with free-run timer)
 - Waveform generator
 - Various waveforms which are generated by using output compare, 16-bit PPG timer 0 and 16-bit dead timer
 - MAC
 - RAM : instruction RAM 256 × 16-bit
 - XRAM 64 × 16-bit
 - YRAM 64 × 16-bit
 - Execution of 1 cycle product addition (16-bit × 16-bit + 40 bits)
 - Operation results are extracted rounded from 40 to 16 bits
 - DMAC (DMA Controller) : 5 channels
 - Operation of transfer and activation by internal peripheral interrupts and software
 - Watchdog timer
 - Low Power Consumption Mode
 - Sleep/stop function
- Other
 - Package : QFP-100, LQFP-100
 - Technology : CMOS 0.35 μm
 - Power supply : 1-power supply [Vcc = 4.0 V to 5.5 V]

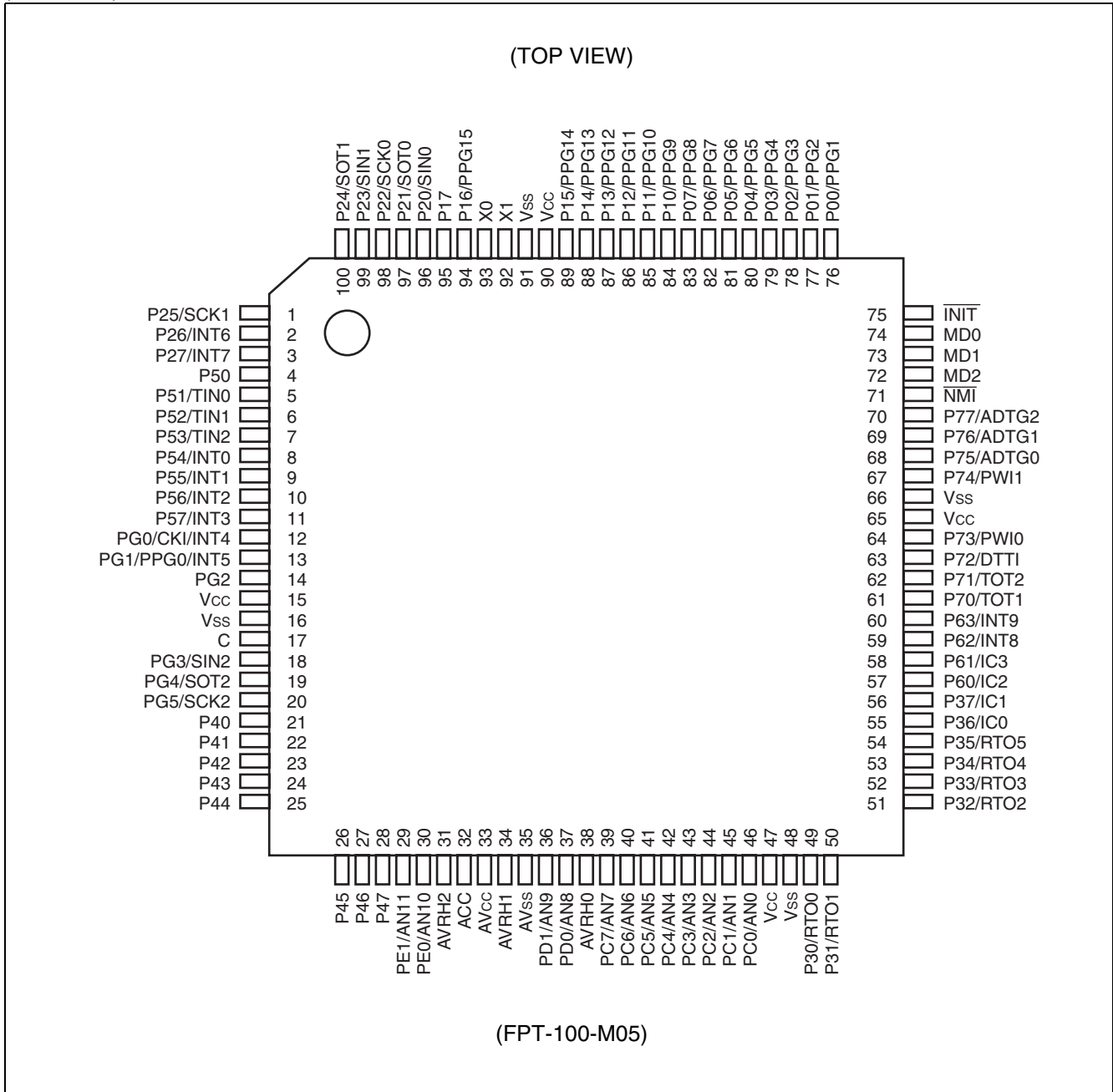
PIN ASSIGNMENT



(Continued)

MB91260B Series

(Continued)



■ PIN DESCRIPTION

Pin no.		Pin name	Circuit type	Description
QFP	LQFP			
1	99	SIN1	D	UART1 data input pin. Since this input is used as required when UART1 is performing input operation, the port output must remain off unless used intentionally.
		P23		General-purpose I/O port. This port is enabled when UART1 data input is disabled.
2	100	SOT1	D	UART1 data output pin. This function is enabled when UART1 data output is enabled.
		P24		General-purpose I/O port. This function is enabled when UART1 data output is disabled.
3	1	SCK1	D	UART1 clock input/output pin. This function is enabled when UART1 clock output is enabled.
		P25		General-purpose I/O port. This function is enabled when UART1 clock output is disabled.
4	2	INT6	E	External interrupt input pin. Since this input is used as required when the corresponding external interrupt is enabled, the port output must remain off unless used intentionally.
		P26		General-purpose I/O port. This function is enabled when external interrupt input is disabled.
5	3	INT7	E	External interrupt input pin. Since this input is used as required when the corresponding external interrupt is enabled, the port output must remain off unless used intentionally.
		P27		General-purpose I/O port. This function is enabled when external interrupt input is disabled.
6	4	P50	C	General-purpose I/O port. This port is enabled in single-chip mode.
7	5	TIN0	C	Reload timer 0 external trigger input pin. Since this input is used as required when trigger input is enabled, the port output must remain off unless used intentionally.
		P51		General-purpose I/O port. This function is enabled when reload timer 0 external clock input is disabled.
8	6	TIN1	C	Reload timer 1 external trigger input pin. Since this input is used as required when trigger input is enabled, the port output must remain off unless used intentionally.
		P52		General-purpose I/O port. This function is enabled when reload timer 1 external clock input is disabled.
9	7	TIN2	C	Reload timer 2 external trigger input pin. Since this input is used as required when trigger input is enabled, the port output must remain off unless used intentionally.
		P53		General-purpose I/O port. This function is enabled when reload timer 2 external clock input is disabled.

(Continued)

MB91260B Series

Pin no.		Pin name	Circuit type	Description
QFP	LQFP			
10	8	INT0	E	External interrupt input pin. Since this input is used as required when the corresponding external interrupt is enabled, the port output must remain off unless used intentionally.
		P54		General-purpose I/O port. This function is enabled when external interrupt input is disabled.
11	9	INT1	E	External interrupt input pin. Since this input is used as required when the corresponding external interrupt is enabled, the port output must remain off unless used intentionally.
		P55		General-purpose I/O port. This function is enabled when external interrupt input is disabled.
12	10	INT2	E	External interrupt input pin. Since this input is used as required when the corresponding external interrupt is enabled, the port output must remain off unless used intentionally.
		P56		General-purpose I/O port. This function is enabled when external interrupt input is disabled.
13	11	INT3	E	External interrupt input pin. Since this input is used as required when the corresponding external interrupt is enabled, the port output must remain off unless used intentionally.
		P57		General-purpose I/O port. This function is enabled when external interrupt input is disabled.
14	12	CKI	E	Free-running timer external clock input pin. Since this input is used as required when selected as the external clock input for the free-running timer, the port output must remain off unless used intentionally.
		INT4		External interrupt input pin. Since this input is used as required when the corresponding external interrupt is enabled, the port output must remain off unless used intentionally.
		PG0		General-purpose I/O port. This port is enabled when free-running timer external clock input and external interrupt input are disabled.
15	13	PPG0	E	PPG timer 0 output pin. This function is enabled when PPG timer 0 output is enabled.
		INT5		External interrupt input pin. Since this input is used as required when the corresponding external interrupt is enabled, the port output must remain off unless used intentionally.
		PG1		General-purpose I/O port. This port is enabled when PPG timer 0 output and external interrupt input are disabled.
16	14	PG2	C	General-purpose I/O port.
20	18	SIN2	D	UART2 data input pin. Since this input is used as required when UART2 is performing input operation, the port output must remain off unless used intentionally.
		PG3		General-purpose I/O port. This port is enabled when UART2 data input is disabled.

(Continued)

MB91260B Series

Pin no.		Pin name	Circuit type	Description
QFP	LQFP			
21	19	SOT2	D	UART2 data output pin. This function is enabled when UART2 data output is enabled.
		PG4		General-purpose I/O port. This port is enabled when UART2 data output is disabled.
22	20	SCK2	D	UART2 clock input/output pin. This function is enabled when UART2 clock output is enabled.
		PG5		General-purpose I/O port. This function is enabled when UART2 clock output is disabled.
23	21	P40	C	General-purpose I/O port.
24	22	P41	C	General-purpose I/O port.
25	23	P42	C	General-purpose I/O port.
26	24	P43	C	General-purpose I/O port.
27	25	P44	C	General-purpose I/O port.
28	26	P45	C	General-purpose I/O port.
29	27	P46	C	General-purpose I/O port.
30	28	P47	C	General-purpose I/O port.
31	29	AN11	G	A/D converter analog input pin. This function is enabled when the AICR2 register specifies analog input.
		PE1		General-purpose I/O port. This function is enabled when analog input is disabled.
32	30	AN10	G	A/D converter analog input pin. This function is enabled when the AICR2 register specifies analog input.
		PE0		General-purpose I/O port. This function is enabled when analog input is disabled.
38	36	AN9	G	A/D converter analog input pin. This function is enabled when the AICR1 register specifies analog input.
		PD1		General-purpose I/O port. This function is enabled when analog input is disabled.
39	37	AN8	G	A/D converter analog input pin. This function is enabled when the AICR1 register specifies analog input.
		PD0		General-purpose I/O port. This function is enabled when analog input is disabled.
41	39	AN7	G	A/D converter analog input pin. This function is enabled when the AICR0 register specifies analog input.
		PC7		General-purpose I/O port. This function is enabled when analog input is disabled.

(Continued)

MB91260B Series

Pin no.		Pin name	Circuit type	Description
QFP	LQFP			
42	40	AN6	G	A/D converter analog input pin. This function is enabled when the AICR0 register specifies analog input.
		PC6		General-purpose I/O port. This function is enabled when analog input is disabled.
43	41	AN5	G	A/D converter analog input pin. This function is enabled when the AICR0 register specifies analog input.
		PC5		General-purpose I/O port. This function is enabled when analog input is disabled.
44	42	AN4	G	A/D converter analog input pin. This function is enabled when the AICR0 register specifies analog input.
		PC4		General-purpose I/O port. This function is enabled when analog input is disabled.
45	43	AN3	G	A/D converter analog input pin. This function is enabled when the AICR0 register specifies analog input.
		PC3		General-purpose I/O port. This function is enabled when analog input is disabled.
46	44	AN2	G	A/D converter analog input pin. This function is enabled when the AICR0 register specifies analog input.
		PC2		General-purpose I/O port. This function is enabled when analog input is disabled.
47	45	AN1	G	A/D converter analog input pin. This function is enabled when the AICR0 register specifies analog input.
		PC1		General-purpose I/O port. This function is enabled when analog input is disabled.
48	46	AN0	G	A/D converter analog input pin. This function is enabled when the AICR0 register specifies analog input.
		PC0		General-purpose I/O port. This function is enabled when analog input is disabled.
51	49	RTO0	J	Multifunction timer waveform generator output pin. This pin outputs a specified waveform to the waveform generator. The waveform output is enabled when waveform generator output is enabled.
		P30		General-purpose I/O port. This function is enabled when waveform generator output is disabled.
52	50	RTO1	J	Multifunction timer waveform generator output pin. This pin outputs a specified waveform to the waveform generator. The waveform output is enabled when waveform generator output is enabled.
		P31		General-purpose I/O port. This function is enabled when waveform generator output is disabled.

(Continued)

MB91260B Series

Pin no.		Pin name	Circuit type	Description
QFP	LQFP			
53	51	RTO2	J	Multifunction timer waveform generator output pin. This pin outputs a specified waveform to the waveform generator. The waveform output is enabled when waveform generator output is enabled.
		P32		General-purpose I/O port. This function is enabled when waveform generator output is disabled.
54	52	RTO3	J	Multifunction timer waveform generator output pin. This pin outputs a specified waveform to the waveform generator. The waveform output is enabled when waveform generator output is enabled.
		P33		General-purpose I/O port. This function is enabled when waveform generator output is disabled.
55	53	RTO4	J	Multifunction timer waveform generator output pin. This pin outputs a specified waveform to the waveform generator. The waveform output is enabled when waveform generator output is enabled.
		P34		General-purpose I/O port. This function is enabled when waveform generator output is disabled.
56	54	RTO5	J	Multifunction timer waveform generator output pin. This pin outputs a specified waveform to the waveform generator. The waveform output is enabled when waveform generator output is enabled.
		P35		General-purpose I/O port. This function is enabled when waveform generator output is disabled.
57	55	IC0	D	Input capture 0 trigger input pin. The trigger can be input when the input capture trigger input and input port are set. Since this input is used as required when selected as the input capture input, the port output must remain off unless used intentionally.
		P36		General-purpose I/O port. This function is enabled when input capture trigger input is disabled.
58	56	IC1	D	Input capture 1 trigger input pin. The trigger can be input when the input capture trigger input and input port are set. Since this input is used as required when selected as the input capture input, the port output must remain off unless used intentionally.
		P37		General-purpose I/O port. This function is enabled when input capture trigger input is disabled.
59	57	IC2	D	Input capture 2 trigger input pin. The trigger can be input when the input capture trigger input and input port are set. Since this input is used as required when selected as the input capture input, the port output must remain off unless used intentionally.
		P60		General-purpose I/O port. This function is enabled when input capture trigger input is disabled.

(Continued)

MB91260B Series

Pin no.		Pin name	Circuit type	Description
QFP	LQFP			
60	58	IC3	D	Input capture 3 trigger input pin. The trigger can be input when the input capture trigger input and input port are set. Since this input is used as required when selected as the input capture input, the port output must remain off unless used intentionally.
		P61		General-purpose I/O port. This function is enabled when input capture trigger input is disabled.
61	59	INT8	E	External interrupt input pin. Since this input is used as required when the corresponding external interrupt is enabled, the port output must remain off unless used intentionally.
		P62		General-purpose I/O port. This function is enabled when external interrupt input is disabled.
62	60	INT9	E	External interrupt input pin. Since this input is used as required when the corresponding external interrupt is enabled, the port output must remain off unless used intentionally.
		P63		General-purpose I/O port. This function is enabled when external interrupt input is disabled.
63	61	TOT1	C	Reload timer 1 output pin. This function is enabled when reload timer output is enabled.
		P70		General-purpose I/O port. This function is enabled when reload timer output is disabled.
64	62	TOT2	C	Reload timer 2 output pin. This function is enabled when reload timer output is enabled.
		P71		General-purpose I/O port. This function is enabled when reload timer output is disabled.
65	63	DTTI	D	Input signal for controlling multifunction timer waveform generator output pins RTO0 to RTO5. This function is enabled when DTTI input is enabled.
		P72		General-purpose I/O port. This function is enabled when DTTI input is disabled.
66	64	PWI0	D	PWC timer 0 pulse width counter input pin. This function is enabled when PWC timer 0 pulse width counter input is enabled.
		P73		General-purpose I/O port. This function is enabled when PWC timer 0 pulse width counter input is disabled.
69	67	PWI1	D	PWC timer 1 pulse width counter input pin. This function is enabled when PWC timer 1 pulse width counter input is enabled.
		P74		General-purpose I/O port. This function is enabled when PWC timer 1 pulse width counter input is disabled.
70	68	ADTG0	C	A/D converter 0 external trigger input pin. Since this input is used as required when selected as the A/D converter trigger source, the port output must remain off unless used intentionally.
		P75		General-purpose I/O port. This function is enabled when A/D converter 0 external trigger input is disabled.

(Continued)

MB91260B Series

Pin no.		Pin name	Circuit type	Description
QFP	LQFP			
71	69	ADTG1	C	A/D converter 1 external trigger input pin. Since this input is used as required when selected as the A/D converter trigger source, the port output must remain off unless used intentionally.
		P76		General-purpose I/O port. This function is enabled when A/D converter 1 external trigger input is disabled.
72	70	ADTG2	C	A/D converter 2 external trigger input pin. Since this input is used as required when selected as the A/D converter trigger source, the port output must remain off unless used intentionally.
		P77		General-purpose I/O port. This function is enabled when A/D converter 2 external trigger input is disabled.
73	71	$\overline{\text{NMI}}$	H	NMI (Non Maskable Interrupt) input pin.
74	72	MD2	K	Mode pin 2. The setting of this pin determines the basic operation mode. Connect the pin to Vcc or Vss.
75	73	MD1	K	Mode pin 1. The setting of this pin determines the basic operation mode. Connect the pin to Vcc or Vss.
76	74	MD0	K	Mode pin 0. The setting of this pin determines the basic operation mode. Connect the pin to Vcc or Vss.
77	75	$\overline{\text{INIT}}$	I	External reset input pin.
78	76	PPG1	C	PPG timer 1 output pin. This function is enabled when PPG timer 1 output is enabled.
		P00		General-purpose I/O port. This function is enabled when PPG timer 1 output is disabled.
79	77	PPG2	C	PPG timer 2 output pin. This function is enabled when PPG timer 2 output is enabled.
		P01		General-purpose I/O port. This function is enabled when PPG timer 2 output is disabled.
80	78	PPG3	C	PPG timer 3 output pin. This function is enabled when PPG timer 3 output is enabled.
		P02		General-purpose I/O port. This function is enabled when PPG timer 3 output is disabled.
81	79	PPG4	C	PPG timer 4 output pin. This function is enabled when PPG timer 4 output is enabled.
		P03		General-purpose I/O port. This function is enabled when PPG timer 4 output is disabled.
82	80	PPG5	C	PPG timer 5 output pin. This function is enabled when PPG timer 5 output is enabled.
		P04		General-purpose I/O port. This function is enabled when PPG timer 5 output is disabled.

(Continued)

MB91260B Series

Pin no.		Pin name	Circuit type	Description
QFP	LQFP			
83	81	PPG6	C	PPG timer 6 output pin. This function is enabled when PPG timer 6 output is enabled.
		P05		General-purpose I/O port. This function is enabled when PPG timer 6 output is disabled.
84	82	PPG7	C	PPG timer 7 output pin. This function is enabled when PPG timer 7 output is enabled.
		P06		General-purpose I/O port. This function is enabled when PPG timer 7 output is disabled.
85	83	PPG8	C	PPG timer 8 output pin. This function is enabled when PPG timer 8 output is enabled.
		P07		General-purpose I/O port. This function is enabled when PPG timer 8 output is disabled.
86	84	PPG9	C	PPG timer 9 output pin. This function is enabled when PPG timer 9 output is enabled.
		P10		General-purpose I/O port. This function is enabled when PPG timer 9 output is disabled.
87	85	PPG10	C	PPG timer 10 output pin. This function is enabled when PPG timer 10 output is enabled.
		P11		General-purpose I/O port. This function is enabled when PPG timer 10 output is disabled.
88	86	PPG11	C	PPG timer 11 output pin. This function is enabled when PPG timer 11 output is enabled.
		P12		General-purpose I/O port. This function is enabled when PPG timer 11 output is disabled.
89	87	PPG12	C	PPG timer 12 output pin. This function is enabled when PPG timer 12 output is enabled.
		P13		General-purpose I/O port. This function is enabled when PPG timer 12 output is disabled.
90	88	PPG13	C	PPG timer 13 output pin. This function is enabled when PPG timer 13 output is enabled.
		P14		General-purpose I/O port. This function is enabled when PPG timer 13 output is disabled.
91	89	PPG14	C	PPG timer 14 output pin. This function is enabled when PPG timer 14 output is enabled.
		P15		General-purpose I/O port. This function is enabled when PPG timer 14 output is disabled.
94	92	X1	A	Clock (oscillation) output pin.
95	93	X0	A	Clock (oscillation) input pin.

(Continued)

(Continued)

Pin no.		Pin name	Circuit type	Description
QFP	LQFP			
96	94	PPG15	C	PPG timer 15 output pin. This function is enabled when PPG timer 15 output is enabled.
		P16		General-purpose I/O port. This function is enabled when PPG timer 15 output is disabled.
97	95	P17	C	General-purpose I/O port.
98	96	SIN0	D	UART0 data input pin. Since this input is used as required when UART0 is performing input operation, the port output must remain off unless used intentionally.
		P20		General-purpose I/O port. This port is enabled when UART0 data input is disabled.
99	97	SOT0	D	UART0 data output pin. This function is enabled when UART0 data output is enabled.
		P21		General-purpose I/O port. This port is enabled when UART0 data output is disabled.
100	98	SCK0	D	UART0 clock input/output pin. This function is enabled when UART0 clock output is enabled.
		P22		General-purpose I/O port. This function is enabled when UART0 clock output is disabled.

• Power supply and GND pins

Pin no.		Pin name	Description
QFP	LQFP		
18, 50, 68, 93	16, 48, 66, 91	Vss	GND pins. Use all of these pins at equal potential.
17, 49, 67, 92	15, 47, 65, 90	Vcc	Power-supply pins. Use all of these pins at equal potential.
35	33	AVcc	Analog power-supply pin for A/D converter
33	31	AVRH2	Analog reference power-supply pin for A/D converter 2
36	34	AVRH1	Analog reference power-supply pin for A/D converter 1
40	38	AVRH0	Analog reference power-supply pin for A/D converter 0
37	35	AVss	Analog GND pin for A/D converter
19	17	C	Capacitor coupling pin for internal regulator
34	32	ACC	Analog capacitor coupling pin

MB91260B Series

■ I/O CIRCUIT TYPE

Type	Circuit type	Remarks
A		<ul style="list-style-type: none"> • Oscillation circuit • Oscillation feedback resistance : approx. 1 MΩ
C		<ul style="list-style-type: none"> • CMOS level output • CMOS level input. • With standby control • With Pull-up control • $I_{OL} = 4 \text{ mA}$
D		<ul style="list-style-type: none"> • CMOS level output • CMOS level hysteresis input. • With standby control • With Pull-up control • $I_{OL} = 4 \text{ mA}$

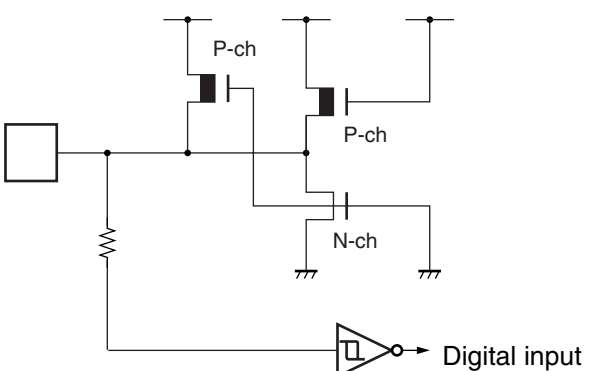
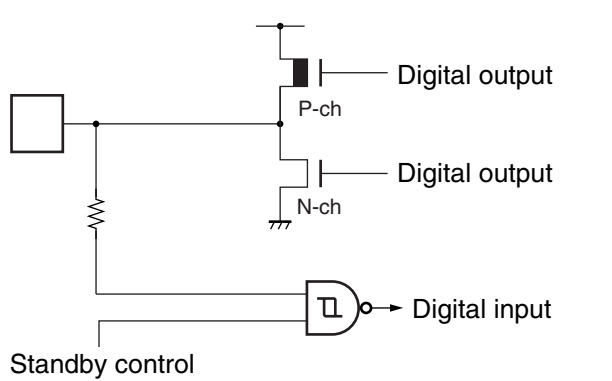
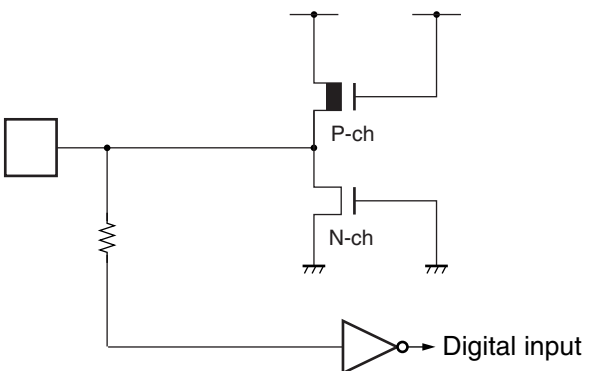
(Continued)

Type	Circuit type	Remarks
E		<ul style="list-style-type: none"> • CMOS level output • CMOS level hysteresis input. • Without standby control • With Pull-up control • $I_{OL} = 4 \text{ mA}$
G		<ul style="list-style-type: none"> • Analog/CMOS level input/output pin • CMOS level output • CMOS level input. (attached with standby control) • Analog input (Analog input is enabled when AICR register's corresponding bit is set to "1".) • $I_{OL} = 4 \text{ mA}$
H		<ul style="list-style-type: none"> • CMOS level hysteresis input. • Without standby control

(Continued)

MB91260B Series

(Continued)

Type	Circuit type	Remarks
I		<ul style="list-style-type: none"> • CMOS level hysteresis input. • With pull-up resistor • Without standby control
J		<ul style="list-style-type: none"> • CMOS level output • CMOS level hysteresis input. • With standby control • $I_{OL} = 12 \text{ mA}$
K		<ul style="list-style-type: none"> • CMOS level input. • Without standby control

■ HANDLING DEVICES

Preventing Latch-up

Latch-up may occur in a CMOS IC if a voltage greater than V_{CC} or less than V_{SS} is applied to an input or output pin or if an above-rating voltage is applied between V_{CC} and V_{SS} .

A latch-up, if it occurs, significantly increases the power supply current and may cause thermal destruction of an element. When you use a CMOS IC, be very careful not to exceed the absolute maximum rating.

Treatment of Unused Pins

Do not leave an unused input pin open, since it may cause a malfunction. Handle by, for example, using a pull-up or pull-down resistor.

About Power Supply Pins

In products with multiple V_{CC} or V_{SS} pins, the pins of the same potential are internally connected in the device to avoid abnormal operations including latch-up. However, you must connect the pins to external power supply and a ground line to lower the electro-magnetic emission level, to prevent abnormal operation of strobe signals caused by the rise in the ground level, and to conform to the total output current rating.

Moreover, connect the current supply source with the V_{CC} and V_{SS} pins of this device at the low impedance.

It is also advisable to connect a ceramic bypass capacitor of approximately 0.1 μF between V_{CC} and V_{SS} near this device.

About Crystal Oscillator Circuit

Noise near the X0, X1, X0A and X1A pins may cause the device to malfunction. Design the printed circuit board so that X0, X1, X0A and X1A the crystal oscillator (or ceramic oscillator) , and the bypass capacitor to ground are located as close to the device as possible.

It is strongly recommended to design the PC board artwork with the X0, X1, X0A and X1A pins surrounded by ground plane because stable operation can be expected with such a layout.

Please ask the crystal maker to evaluate the oscillational characteristics of the crystal and this device.

About Mode Pins (MD0 to MD2)

These pins should be connected directly to V_{CC} or V_{SS} .

To prevent the device erroneously switching to test mode due to noise, design the printed circuit board such that the distance between the mode pins and V_{CC} or V_{SS} is as short as possible and the connection impedance is low.

Operation at Start-up

Be sure to execute setting initialized reset (INIT) with $\overline{\text{INIT}}$ pin immediately after start-up.

Also, in order to provide the oscillation stabilization wait time for the oscillation circuit immediately after start-up, hold the "L" level input to the $\overline{\text{INIT}}$ pin for the required stabilization wait time. (For INIT via the $\overline{\text{INIT}}$ pin, the oscillation stabilization wait time setting is initialized to the minimum value) .

About Oscillation Input at Power On

When turning the power on, maintain clock input until the device is released from the oscillation stabilization wait state.

MB91260B Series

Caution operation during PLL clock mode

Even if the oscillator comes off or the clock input stops with the PLL clock selected for this device, the device may continue to operate at the free-run frequency of the PLL's internal self-oscillating oscillator circuit.

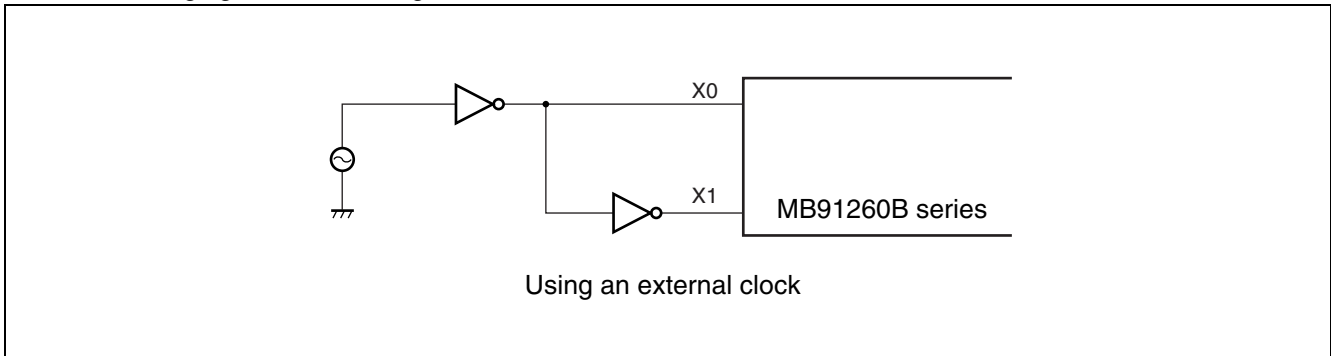
Performance of this operation, however, cannot be guaranteed.

External clock

When external clock is selected, the opposite phase clock to X0 pin must be supplied to X1 pin simultaneously.

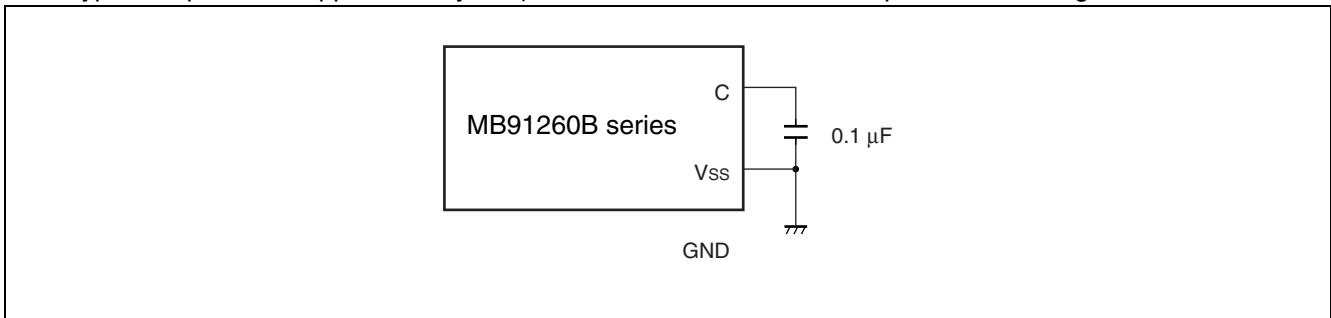
If the STOP mode (oscillation stop mode) is used simultaneously, the X1 pin is stopped with the "H" output. So, when STOP mode is specified, approximately 1 kΩ of resistance should be added externally to avoid the conflict of output.

The following figure shows using an external clock.



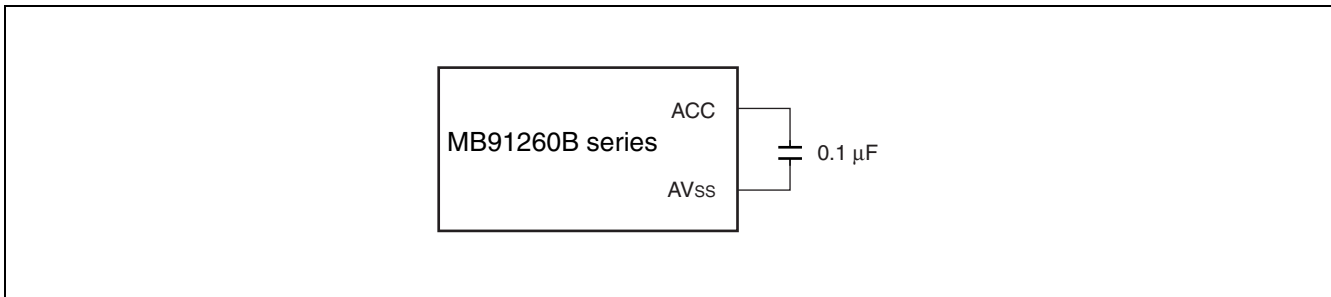
C pin

A bypass capacitor of approximately 0.1 μF should be connected the C pin for built-in regulator.



ACC pin

A capacitor should be inserted between the ACC pin and the AVcc pin as this product has built-in regulator for A/D converter.



Clock Control Block

Input the “L” signal to the $\overline{\text{INIT}}$ pin to assure the clock oscillation stabilization wait time.

Switch Shared Port Function

To switch between the use as a port and the use as a dedicated pin, use the port function register (PFR) .

Low Power Consumption Mode

To enter the standby mode, use the synchronous standby mode (set with the SYNCS bit as bit 8 in the TBCR : timebase counter control register) and be sure to use the following sequence

(LDI	#value_of_standby, R0)	: Value_of standby is write data to STCR.
(LDI	##_STCR, R12)	: _STCR is address (481H) of STCR.
STB	R0, @R12	: Writing to standby control register (STCR)
LDUB	@R12, R0	: STCR read for synchronous standby
LDUB	@R12, R0	: Dummy re-read of STCR
NOP		: NOP × 5 for arrangement of timing
NOP		
NOP		
NOP		
NOP		

In addition, please set I flag, ILM, and ICR to diverge to the interruption handler that is the return factor after the standby returns.

- Please do not do the following when the monitor debugger is used.
- Break point setting for above instruction lines
- Step execution for above instruction lines

Notes on the PS register

As the PS register is processed by some instructions in advance, exception handling below may cause the interrupt handling routine to break when the debugger is used or the display contents of flags in the PS register to be updated.

As the microcontroller is designed to carry out reprocessing correctly upon returning from such an EIT event, it performs operations before and after the EIT as specified in either case.

- The following operations may be performed when the instruction immediately followed by a DIVOU/DIVOS instruction is (a) acceptance of a user interrupt, (b) single-stepped, or (c) breaks in response to a data event or emulator menu :
 - 1) The D0 and D1 flags are updated in advance.
 - 2) An EIT handling routine (user interrupt or emulator) is executed.
 - 3) Upon returning from the EIT, the DIVOU/DIVOS instruction is executed, and the D0 and D1 flags are updated to the same values as in 1).
- The following operations are performed when the ORCCR/STILM/MOVRi and PS instructions are executed to allow the interrupt.

MB91260B Series

- 1) The PS register is updated in advance.
- 2) An EIT handling routine (user interrupt) is executed.
- 3) Upon returning from the EIT, the above instructions are executed, and the PS register is updated to the same value as in 1).

Watchdog Timer

The watchdog timer built in this model monitors a program that it defers a reset within a certain period of time. The watchdog timer resets the CPU if the program runs out of controls, preventing the reset defer function from being executed. Once the function of the watchdog timer is enabled, therefore, the watchdog timer keeps on operating programs until it resets the CPU.

As an exception, the watchdog timer defers a reset automatically under the condition in which the CPU stops program execution.

For those conditions to which this exception applies, see the function description of watchdog timer.

■ NOTE ON DEBUGGER

- Step execution of RETI command

If an interrupt occurs frequently during step execution, the corresponding interrupt handling routine is executed repeatedly after step execution.

This will prevent the main routine and low-interrupt-level programs from being executed.

Do not execute step of RETI instruction for escape.

Disable the corresponding interrupt and execute debugger when the corresponding interrupt handling routine no longer needs debugging.

- Operand break

Do not apply a data event break to access to the area containing the address of a system stack pointer.

- Execution in an unused area of FLASH memory

Accidentally executing an instruction in an unused area of FLASH memory (with data placed at 0XFFFF_H) prevents breaks from being accepted.

To prevent this, the code event address mask function of the debugger should be used to cause a break when accessing an instruction in an unused area.

- Power-on debugging

All of the following three conditions must be satisfied when the power supply is turned off by power-on debugging.

- (1) The time for the user power to fall from 0.9 V_{CC} to 0.5 V_{CC} is 25 μs or longer.
Note : In a dual-power system, V_{CC} indicates the external I/O power supply voltage.
- (2) CPU operating frequency must be higher than 1 MHz.
- (3) During execution of user program

- Interrupt handler for NMI request (tool)

Add the following program to the interrupt handler to prevent the device from malfunctioning in case the factor flag to be set only in response to a break request from the ICE is set, for example, by an adverse effect of noise to the DSU pin while the ICE is not connected. Enable to use the ICE while adding this program.

Additional location

Next interrupt handler

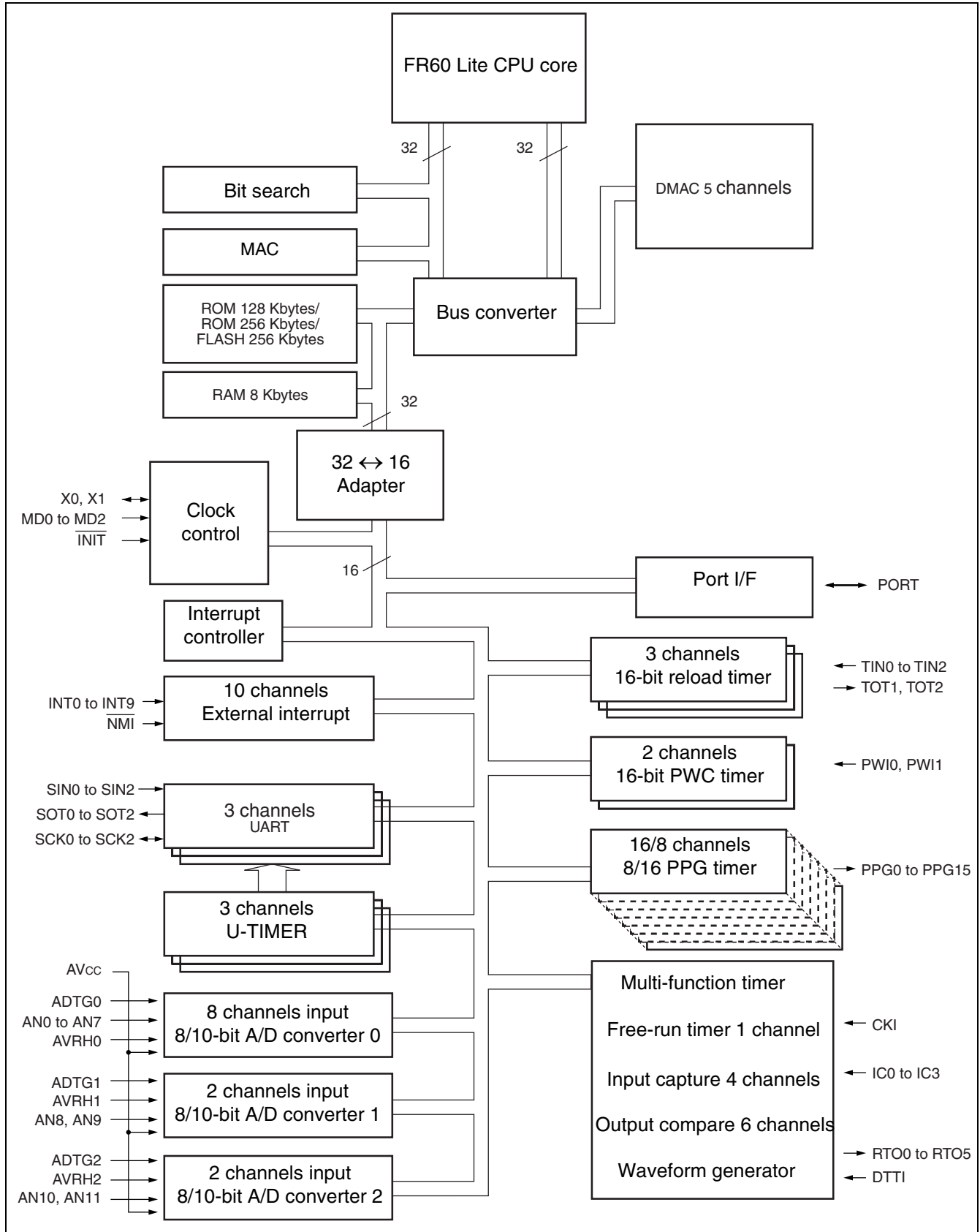
Interrupt source	: NMI request (tool)
Interrupt number	: #13 (decimal) , 0D _H (hexa decimal)
Offset	: 3C8 _H
Address TBR is default	: 000FFFC8 _H

Additional program

```
STM    (R0, R1)
LDI    #B00H, R0; : B00H is the address of DSU break factor register.
LDI    #0, R1
STB    R1, @R0    : Clear the break factor register.
LDM    (R0, R1)
RETI
```

MB91260B Series

■ BLOCK DIAGRAM



■ MEMORY SPACE

1. Memory space

The FR family has 4 Gbytes of logical address space (2^{32} addresses) available to the CPU by linear access.

- Direct Addressing Areas

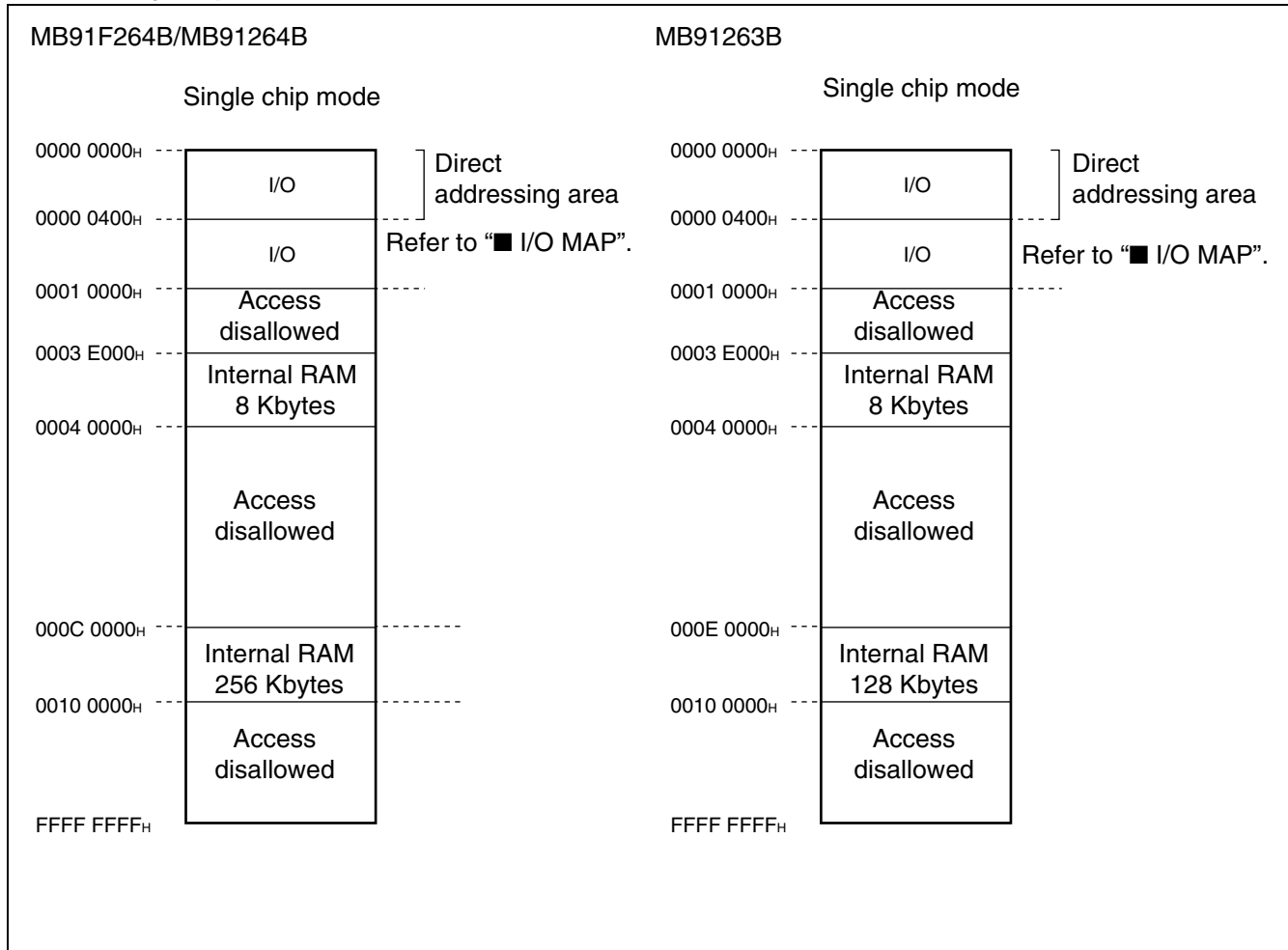
The following address space areas are used as I/O areas.

These areas are called direct addressing areas, in which the address of an operand can be specified directly during an instruction.

The size of directly addressable areas depends on the data size to be being accessed as follows.

- Byte data access : 000_H to 0FF_H
- Half word data access : 000_H to 1FF_H
- Word data access : 000_H to 3FF_H

2. Memory Map



MB91260B Series

MODE SETTINGS

The FR family uses mode pins (MD2 to MD0) and a mode data to set the operation mode.

- Mode Pins

The MD2 to MD0 pins specify how the mode vector fetch and reset vector fetch is performed.

Setting is prohibited other than that shown in the following table.

Mode Pins			Mode name	Reset vector access area	Remarks
MD2	MD1	MD0			
0	0	0	Internal ROM mode vector	Internal	
0	0	1	External ROM mode vector	External	Not supported by this model.

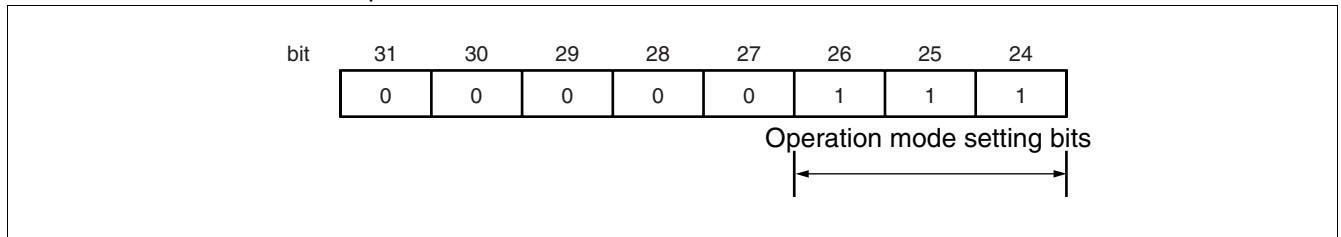
- Mode data

Data written to the internal mode register (MODR) by a mode vector fetch is called mode data.

After an operation mode has been set in the mode register, the device operates in the operation mode.

The mode data is set by all reset source. User programs cannot set data to the mode register.

Details of mode data description



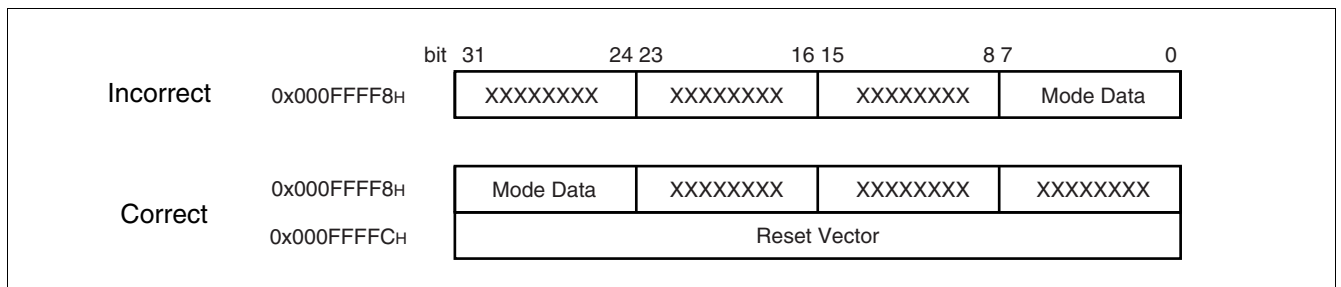
Bit31 to bit24 are all reserved bits.

Be sure to set this bit to “00000111”.

Operation is not guaranteed when any value other than “00000111” is set.

Note : Mode data set in the mode vector must be placed as byte data at 0x000FFFF8H.

Use the highest byte from bit31 to bit24 for placement as the FR family uses the big endian for byte endian.



■ I/O MAP

[How to read the table]

Address	Register				Block
	+ 0	+ 1	+ 2	+ 3	
000000H	PDR0 [R/W] B XXXXXXXX	PDR1 [R/W] B XXXXXXXX	PDR2 [R/W] B XXXXXXXX	PDR3 [R/W] B XXXXXXXX	T-unit Port data register

Read/write attribute Access unit
(B : byte, H : half word, W : word)

Initial value of register after reset

Register name (column 1 of the register is at address 4n, column 2 is at address 4n + 1...)

Leftmost register address (For word-length access, column 1 of the register becomes the MSB of the data.)

Note : Initial values of register bits are represented as follows :

“ 1 ” : Initial Value “ 1 ”

“ 0 ” : Initial Value “ 0 ”

“ X ” : Initial Value “ undefined ”

“ - ” : No physical register at this location

Access is barred with an undefined data access attribute.

MB91260B Series

Address	Register				Block
	+ 0	+ 1	+ 2	+ 3	
000000 _H	PDR0 [R/W] B XXXXXXXX	PDR1 [R/W] B XXXXXXXX	PDR2 [R/W] B XXXXXXXX	PDR3 [R/W] B XXXXXXXX	Port data register
000004 _H	PDR4 [R/W] B XXXXXXXX	PDR5 [R/W] B XXXXXXXX	PDR6 [R/W] B ----XXXX	PDR7 [R/W] B XXXXXXXX	
000008 _H	—				
00000C _H	PDR0 [R/W] B XXXXXXXX	PDRD [R/W] B -----XX	PDRE [R/W] B -----XX	—	
000010 _H	PDRG [R/W] B --XXXXXX	—	—	—	Reserved
000014 _H to 00003C _H	—				
000040 _H	EIRR0 [R/W] B, H, W 00000000	ENIR0 [R/W] B, H, W 00000000	ELVR0 [R/W] B, H, W 00000000 00000000		External interrupt (INT0 to INT7)
000044 _H	DICR [R/W] B, H, W -----0	HRCL [R/W, R] B, H, W 0--11111	—	—	Delay interrupt/ Hold request
000048 _H	TMRLR0 [W] H, W XXXXXXXXXX XXXXXXXXX		TMR0 [R] H, W XXXXXXXXXX XXXXXXXXX		Reload timer 0
00004C _H	—		TMCSR0 [R/W, R] B, H, W ---00000 00000000		
000050 _H	TMRLR1 [W] H, W XXXXXXXXXX XXXXXXXXX		TMR1 [R] H, W XXXXXXXXXX XXXXXXXXX		Reload timer 1
000054 _H	—		TMCSR1 [R/W, R] B, H, W ---00000 00000000		
000058 _H	TMRLR2 [W] H, W XXXXXXXXXX XXXXXXXXX		TMR2 [R] H, W XXXXXXXXXX XXXXXXXXX		Reload timer 2
00005C _H	—		TMCSR2 [R/W, R] B, H, W ---00000 00000000		
000060 _H	SSR0 [R/W, R] B, H, W 00001000	SIDR0 [R]/SODR0[W] B, H, W XXXXXXXX	SCR0 [R/W] B, H, W 00000100	SMR0 [R/W, W] B, H, W 00--0-0-	UART0
000064 _H	UTIM0 [R] H / UTIMR0 [W] H 00000000 00000000		DRCL0 [W] B -----	UTIMC0 [R/W] B 0--00001	U-TIMER 0
000068 _H	SSR1 [R/W, R] B, H, W 00001000	SIDR1, SODR1 [R/W] B, H, W XXXXXXXX	SCR1 [R/W] B, H, W 00000100	SMR1 [R/W] B, H, W 00--0-0-	UART1
00006C _H	UTIM1 [R] H / UTIMR1 [W] H 00000000 00000000		DRCL1 [W] B -----	UTIMC1 [R/W] B 0--00001	U-TIMER 1
000070 _H	SSR2 [R/W, R] B, H, W 00001000	SIDR2, SODR2 [R/W] B, H, W XXXXXXXX	SCR2 [R/W] B, H, W 00000100	SMR2 [R/W] B, H, W 00--0-0-	UART2
000074 _H	UTIM2 [R] H / UTIMR2 [W] H 00000000 00000000		DRCL2 [W] B -----	UTIMC2 [R/W] B 0--00001	U-TIMER 2

(Continued)

MB91260B Series

Address	Register				Block
	+ 0	+ 1	+ 2	+ 3	
000078 _H	ADCH0 [R/W] B, H, W XX000000	ADMD0 [R/W] B, H, W 00001111	ADCD01 [R] B, H, W XXXXXXXXXX	ADCD00 [R] B, H, W XXXXXXXXXX	A/D converter 0/ AICR0
00007C _H	ADCS0 [R/W, W] B, H, W 00000X00	—	AICR0 [R/W] B, H, W 00000000	—	
000080 _H	ADCH1 [R/W] B, H, W XXXX0XX0	ADMD1 [R/W] B, H, W 00001111	ADCD11 [R] B, H, W XXXXXXXXXX	ADCD10 [R] B, H, W XXXXXXXXXX	A/D converter 1/ AICR1
000084 _H	ADCS1 [R/W, W] B, H, W 00000X00	—	AICR1 [R/W] B, H, W -----00	—	
000088 _H	ADCH2 [R/W] B, H, W XXXX0XX0	ADMD2 [R/W] B, H, W 00001111	ADCD21 [R] B, H, W XXXXXXXXXX	ADCD20 [R] B, H, W XXXXXXXXXX	A/D converter 2/ AICR2
00008C _H	ADCS2 [R/W, W] B, H, W 00000X00	—	AICR2 [R/W] B, H, W -----00	—	
000090 _H	OCCPBH0, OCCPBL0[W]/ OCCPH0, OCCPL0[R] H, W 00000000 00000000		OCCPBH1, OCCPBL1[W]/ OCCPH1, OCCPL1 [R] H, W 00000000 00000000		16-bit output compare
000094 _H	OCCPBH2, OCCPBL2[W]/ OCCPH2, OCCPL2 [R] H, W 00000000 00000000		OCCPBH3, OCCPBL3[W]/ OCCPH3, OCCPL3 [R] H, W 00000000 00000000		
000098 _H	OCCPBH4, OCCPBL4[W]/ OCCPH4, OCCPL4 [R] H, W 00000000 00000000		OCCPBH5, OCCPBL5[W]/ OCCPH5, OCCPL5 [R] H, W 00000000 00000000		
00009C _H	OCSH1 [R/W] B, H, W X1100000	OCSL0 [R/W] B, H, W 00001100	OCSH3 [R/W] B, H, W X1100000	OCSL2 [R/W] B, H, W 00001100	
0000A0 _H	OCSH5 [R/W] B, H, W X1100000	OCSL4 [R/W] B, H, W 00001100	OCMOD [R/W] B, H, W XX000000	—	
0000A4 _H	CPCLRBH, CPCLRBL[W]/ CPCLRH, CPCLRL[R] H, W 11111111 11111111		TCDTH, TCDTL [R/W] H, W 00000000 00000000		16-bit free-run timer
0000A8 _H	TCCSH [R/W] B, H, W 00000000	TCCSL [R/W] B, H, W 01000000	—	ADTRGC [R/W] B, H, W XXXX0000	
0000AC _H	IPCPH0, IPCPL0 [R] H, W XXXXXXXXXX XXXXXXXXX		IPCPH1, IPCPL1 [R] H, W XXXXXXXXXX XXXXXXXXX		16-bit input capture
0000B0 _H	IPCPH2, IPCPL2 [R] H, W XXXXXXXXXX XXXXXXXXX		IPCPH3, IPCPL3 [R] H, W XXXXXXXXXX XXXXXXXXX		
0000B4 _H	PICSH01 [W] B, H, W 000000--	PICSL01 [R/W] B, H, W 00000000	ICSH23 [R] B, H, W XXXXXXXX00	ICSL23 [R/W] B, H, W 00000000	
0000B8 _H	EIRR1 [R/W] B, H, W -----00	ENIR1 [R/W] B, H, W -----00	ELVR1 [R/W] B, H, W -----0000		External interrupt (INT8, INT9)

(Continued)

MB91260B Series

Address	Register				Block
	+ 0	+ 1	+ 2	+ 3	
0000BC _H	TMRRH0, TMRRL0 [R/W] H, W XXXXXXXX XXXXXXXX		TMRRH1, TMRRL1 [R/W] H, W XXXXXXXX XXXXXXXX		Waveform generator
0000C0 _H	TMRRH2, TMRRL2 [R/W] H, W XXXXXXXX XXXXXXXX		—	—	
0000C4 _H	DTCR0 [R/W] B, H, W 00000000	DTCR1 [R/W] B, H, W 00000000	DTCR2 [R/W] B, H, W 00000000	—	
0000C8 _H	—	SIGCR1 [R/W] B, H, W 10000000	—	SIGCR2 [R/W] B, H, W XXXXXX1	
0000CC _H	ADCOMP0 [R/W] H, W 00000000 00000000		ADCOMP1 [R/W] H, W 00000000 00000000		A/D COMP
0000D0 _H	ADCOMP2 [R/W] H, W 00000000 00000000		—	ADCOMPC [R/W] B, H, W XXXXX000	
0000D4 _H to 0000DC _H	—				Reserved
0000E0 _H	PWCSR0 [R/W, R] B, H, W 00000000 00000000		PWCR0 [R] H, W 00000000 00000000		PWC timer
0000E4 _H	PWCSR1 [R/W, R] B, H, W 00000000 00000000		PWCR1 [R] H, W 00000000 00000000		
0000E8 _H	—	PDIVR0 [R/W] B, H, W XXXXX000	—	PDIVR1 [R/W] B, H, W XXXXX000	
0000EC _H to 000FC _H	—				Reserved
000100 _H	PRLH0 [R/W] B, H, W XXXXXXXX	PRL0 [R/W] B, H, W XXXXXXXX	PRLH1 [R/W] B, H, W XXXXXXXX	PRL1 [R/W] B, H, W XXXXXXXX	PPG0 to PPG15
000104 _H	PRLH2 [R/W] B, H, W XXXXXXXX	PRL2 [R/W] B, H, W XXXXXXXX	PRLH3 [R/W] B, H, W XXXXXXXX	PRL3 [R/W] B, H, W XXXXXXXX	
000108 _H	PPGC0 [R/W] B, H, W 0000000X	PPGC1 [R/W] B, H, W 0000000X	PPGC2 [R/W] B, H, W 0000000X	PPGC3 [R/W] B, H, W 0000000X	
00010C _H	PRLH4 [R/W] B, H, W XXXXXXXX	PRL4 [R/W] B, H, W XXXXXXXX	PRLH5 [R/W] B, H, W XXXXXXXX	PRL5 [R/W] B, H, W XXXXXXXX	
000110 _H	PRLH6 [R/W] B, H, W XXXXXXXX	PRL6 [R/W] B, H, W XXXXXXXX	PRLH7 [R/W] B, H, W XXXXXXXX	PRL7 [R/W] B, H, W XXXXXXXX	
000114 _H	PPGC4 [R/W] B, H, W 0000000X	PPGC5 [R/W] B, H, W 0000000X	PPGC6 [R/W] B, H, W W0000000X	PPGC7 [R/W] B, H, W 0000000X	
000118 _H	PRLH8 [R/W] B, H, W XXXXXXXX	PRL8 [R/W] B, H, W XXXXXXXX	PRLH9 [R/W] B, H, W XXXXXXXX	PRL9 [R/W] B, H, W XXXXXXXX	
00011C _H	PRLH10 [R/W] B, H, W XXXXXXXX	PRL10 [R/W] B, H, W XXXXXXXX	PRLH11 [R/W] B, H, W XXXXXXXX	PRL11 [R/W] B, H, W XXXXXXXX	
000120 _H	PPGC8 [R/W] B, H, W 0000000X	PPGC9 [R/W] B, H, W 0000000X	PPGC10 [R/W] B, H, W 0000000X	PPGC11 [R/W] B, H, W 0000000X	

(Continued)

MB91260B Series

Address	Register				Block
	+ 0	+ 1	+ 2	+ 3	
000124 _H	PRLH12 [R/W] B, H, W XXXXXXXX	PRL12 [R/W] B, H, W XXXXXXXX	PRLH13 [R/W] B, H, W XXXXXXXX	PRL13 [R/W] B, H, W XXXXXXXX	PPG0 to PPG15
000128 _H	PRLH14 [R/W] B, H, W XXXXXXXX	PRL14 [R/W] B, H, W XXXXXXXX	PRLH15 [R/W] B, H, W XXXXXXXX	PRL15 [R/W] B, H, W XXXXXXXX	
00012C _H	PPGC12 [R/W] B, H, W 0000000X	PPGC13 [R/W] B, H, W 0000000X	PPGC14 [R/W] B, H, W 0000000X	PPGC15 [R/W] B, H, W 0000000X	
000130 _H	TRG [R/W] B, H, W 00000000 00000000		—	GATEC [R/W] B, H, W XXXXXX00	
000134 _H	REVC [R/W] B, H, W 00000000 00000000		—	—	
000138 _H to 0001FC _H	—				Reserved
000200 _H	DMACA0 [R/W] B, H, W *1 00000000 00000000 00000000 00000000				DMAC
000204 _H	DMACB0 [R/W] B, H, W 00000000 00000000 00000000 00000000				
000208 _H	DMACA1 [R/W] B, H, W *1 00000000 00000000 00000000 00000000				
00020C _H	DMACB1 [R/W] B, H, W 00000000 00000000 00000000 00000000				
000210 _H	DMACA2 [R/W] B, H, W *1 00000000 00000000 00000000 00000000				
000214 _H	DMACB2 [R/W] B, H, W 00000000 00000000 00000000 00000000				
000218 _H	DMACA3 [R/W] B, H, W *1 00000000 00000000 00000000 00000000				
00021C _H	DMACB3 [R/W] B, H, W 00000000 00000000 00000000 00000000				
000220 _H	DMACA4 [R/W] B, H, W *1 00000000 00000000 00000000 00000000				
000224 _H	DMACB4 [R/W] B, H, W 00000000 00000000 00000000 00000000				
000228 _H to 00023C _H	—				Reserved
000240 _H	DMACR [R/W] B 0XX00000 XXXXXXXX XXXXXXXX XXXXXXXX				DMAC
000244 _H to 000398 _H	—				Reserved

(Continued)

MB91260B Series

Address	Register				Block
	+ 0	+ 1	+ 2	+ 3	
00039CH	—	—	—	—	MAC
0003A0H	DSP-PC [R/W] XXXXXXXX	DSP-CSR [R/W, R, W] 00000000	DSP-LY [R/W] XXXXXXXX XXXXXXXX		
0003A4H	DSP-OT0 [R] XXXXXXXX XXXXXXXX		DSP-OT1 [R] XXXXXXXX XXXXXXXX		
0003A8H	DSP-OT2 [R] XXXXXXXX XXXXXXXX		DSP-OT3 [R] XXXXXXXX XXXXXXXX		
0003ACH	—	—	—	—	
0003B0H	DSP-OT4 [R] XXXXXXXX XXXXXXXX		DSP-OT5 [R] XXXXXXXX XXXXXXXX		
0003B4H	DSP-OT6 [R] XXXXXXXX XXXXXXXX		DSP-OT7 [R] XXXXXXXX XXXXXXXX		
0003B8H to 0003ECH	—				Reserved
0003F0H	BSD0 [W] W XXXXXXXX XXXXXXXX XXXXXXXX XXXXXXXX				Bit search
0003F4H	BSD1 [R/W] W XXXXXXXX XXXXXXXX XXXXXXXX XXXXXXXX				
0003F8H	BSDC [W] W XXXXXXXX XXXXXXXX XXXXXXXX XXXXXXXX				
0003FCH	BSRR [R] XXXXXXXX XXXXXXXX XXXXXXXX XXXXXXXX				
000400H	DDR0 [R/W] B 00000000	DDR1 [R/W] B 00000000	DDR2 [R/W] B 00000000	DDR3 [R/W] B 00000000	Data direction register
000404H	DDR4 [R/W] B 00000000	DDR5 [R/W] B 00000000	DDR6 [R/W] B ---0000	DDR7 [R/W] B 00000000	
000408H	—	—	—	—	
00040CH	DDRC [R/W] B 00000000	DDRD [R/W] B -----00	DDRE [R/W] B -----00	—	
000410H	DDRG [R/W] B --000000	—	—	—	
000414H to 00041CH	—				Reserved
000420H	PFR0 [R/W] B 00000000	PFR1 [R/W] B -0000000	PFR2 [R/W] B --00-00-	—	Port function register
000424H	—	—	—	PFR7 [R/W] B -----00	
000428H	—	—	—	—	
00042CH	—	—	—	—	
000430H	PFRG [R/W] B --00--0-	—	—	—	

(Continued)

MB91260B Series

Address	Register				Block
	+ 0	+ 1	+ 2	+ 3	
000434 _H to 00043C _H	—				Reserved
000440 _H	ICR00 [R/W, R] B, H, W ----1111	ICR01 [R/W, R] B, H, W ----1111	ICR02 [R/W, R] B, H, W ----1111	ICR03 [R/W, R] B, H, W ----1111	Interrupt controller
000444 _H	ICR04 [R/W, R] B, H, W ----1111	ICR05 [R/W, R] B, H, W ----1111	ICR06 [R/W, R] B, H, W ----1111	ICR07 [R/W, R] B, H, W ----1111	
000448 _H	ICR08 [R/W, R] B, H, W ----1111	ICR09 [R/W, R] B, H, W ----1111	ICR10 [R/W, R] B, H, W ----1111	ICR11 [R/W, R] B, H, W ----1111	
00044C _H	ICR12 [R/W, R] B, H, W ----1111	ICR13 [R/W, R] B, H, W ----1111	ICR14 [R/W, R] B, H, W ----1111	ICR15 [R/W, R] B, H, W ----1111	
000450 _H	ICR16 [R/W, R] B, H, W ----1111	ICR17 [R/W, R] B, H, W ----1111	ICR18 [R/W, R] B, H, W ----1111	ICR19 [R/W, R] B, H, W ----1111	
000454 _H	ICR20 [R/W, R] B, H, W ----1111	ICR21 [R/W, R] B, H, W ----1111	ICR22 [R/W, R] B, H, W ----1111	ICR23 [R/W, R] B, H, W ----1111	
000458 _H	ICR24 [R/W, R] B, H, W ----1111	ICR25 [R/W, R] B, H, W ----1111	ICR26 [R/W, R] B, H, W ----1111	ICR27 [R/W, R] B, H, W ----1111	
00045C _H	ICR28 [R/W, R] B, H, W ----1111	ICR29 [R/W, R] B, H, W ----1111	ICR30 [R/W, R] B, H, W ----1111	ICR31 [R/W, R] B, H, W ----1111	
000460 _H	ICR32 [R/W, R] B, H, W ----1111	ICR33 [R/W, R] B, H, W ----1111	ICR34 [R/W, R] B, H, W ----1111	ICR35 [R/W, R] B, H, W ----1111	
000464 _H	ICR36 [R/W, R] B, H, W ----1111	ICR37 [R/W, R] B, H, W ----1111	ICR38 [R/W, R] B, H, W ----1111	ICR39 [R/W, R] B, H, W ----1111	
000468 _H	ICR40 [R/W, R] B, H, W ----1111	ICR41 [R/W, R] B, H, W ----1111	ICR42 [R/W, R] B, H, W ----1111	ICR43 [R/W, R] B, H, W ----1111	
00046C _H	ICR44 [R/W, R] B, H, W ----1111	ICR45 [R/W, R] B, H, W ----1111	ICR46 [R/W, R] B, H, W ----1111	ICR47 [R/W, R] B, H, W ----1111	
000470 _H to 00047C _H	—				Reserved
000480 _H	RSRR [R/W] B, H, W 10000000	STCR [R/W] B, H, W 00110011	TBCR [R/W] B, H, W 00XXXX00	CTBR [W] B, H, W XXXXXXXXXX	Clock control
000484 _H	CLKR [R/W] B, H, W 00000000	WPR [W] B, H, W XXXXXXXXXX	DIVR0 [R/W] B, H, W 00000011	DIVR1 [R/W] B, H, W 00000000	
000488 _H to 0005FC _H	—				Reserved
000600 _H	PCR0 [R/W] B 00000000	PCR1 [R/W] B 00000000	PCR2 [R/W] B 00000000	PCR3 [R/W] B 00-----	Pull-up controller
000604 _H	PCR4 [R/W] B 00000000	PCR5 [R/W] B 00000000	PCR6 [R/W] B ----0000	PCR7 [R/W] B 00000000	
000608 _H	—	—	—	—	
00060C _H	—	—	—	—	

(Continued)

MB91260B Series

Address	Register				Block
	+ 0	+ 1	+ 2	+ 3	
000610 _H	PCRG [R/W] B --000000	—	—	—	Pull-up controller
000614 _H to 000FFC _H	—				Reserved
001000 _H	DMASA0 [R/W] W 00000000 00000000 00000000 00000000				DMAC
001004 _H	DMADA0 [R/W] W 00000000 00000000 00000000 00000000				
001008 _H	DMASA1 [R/W] W 00000000 00000000 00000000 00000000				
00100C _H	DMADA1 [R/W] W 00000000 00000000 00000000 00000000				
001010 _H	DMASA2 [R/W] W 00000000 00000000 00000000 00000000				
001014 _H	DMADA2 [R/W] W 00000000 00000000 00000000 00000000				
001018 _H	DMASA3 [R/W] W 00000000 00000000 00000000 00000000				
00101C _H	DMADA3 [R/W] W 00000000 00000000 00000000 00000000				
001020 _H	DMASA4 [R/W] W 00000000 00000000 00000000 00000000				
001024 _H	DMADA4 [R/W] W 00000000 00000000 00000000 00000000				
001028 _H to 006FFC _H	—				Reserved
007000 _H	FLCR [R/W] 0110X000	—	—	—	FLASH
007004 _H	FLWC [R/W] 00000011*2	—	—	—	
007008 _H	—	—	—	—	
00700C _H	—	—	—	—	
007010 _H	—	—	—	—	
007014 _H to 00BFFC _H	—				Reserved

(Continued)

(Continued)

Address	Register				Block
	+ 0	+ 1	+ 2	+ 3	
00C000 _H to 00C07C _H	X-RAM (coefficient RAM) [R/W] 64 × 16 bits				MAC
00C080 _H to 00C0FC _H	Y-RAM (variable RAM) [R/W] 64 × 16 bits				
00C100 _H to 00C2FC _H	I-RAM (instruction RAM) [R/W] 256 × 16 bits				
00C300 _H to 00FFFC _H	—				Reserved

*1 : The lower 16 bits (DTC15 to DCT0) of DMACA0 to DMACA4 cannot be accessed in bytes.

*2 : The initial value of 1FLWC (7004_H) is “00010011_B” on EVA tool.

Writing “00000011_B” on the evaluation model has no effect on its operation.

Notes : • Do not execute Read Modify Write instructions on registers having a write-only bit.

• Data is undefined in reserved or (-) area.

MB91260B Series

■ INTERRUPT VECTOR

Interrupt source	Interrupt number		Interrupt level	Offset	TBR default address	RN
	10	16				
Reset	0	00	—	3FC _H	000FFFFC _H	—
Mode vector	1	01	—	3F8 _H	000FFFF8 _H	—
System reserved	2	02	—	3F4 _H	000FFFF4 _H	—
System reserved	3	03	—	3F0 _H	000FFFF0 _H	—
System reserved	4	04	—	3EC _H	000FFFE _C	—
System reserved	5	05	—	3E8 _H	000FFFE8 _H	—
System reserved	6	06	—	3E4 _H	000FFFE4 _H	—
Coprocessor absent trap	7	07	—	3E0 _H	000FFFE0 _H	—
Coprocessor error trap	8	08	—	3DC _H	000FFFD _C	—
INTE instruction	9	09	—	3D8 _H	000FFFD8 _H	—
Instruction break exception	10	0A	—	3D4 _H	000FFFD4 _H	—
Operand break trap	11	0B	—	3D0 _H	000FFFD0 _H	—
Step trace trap	12	0C	—	3CC _H	000FFFCC _H	—
NMI request (tool)	13	0D	—	3C8 _H	000FFFC8 _H	—
Undefined instruction exception	14	0E	—	3C4 _H	000FFFC4 _H	—
NMI request	15	0F	15 (F _H) fixed	3C0 _H	000FFFC0 _H	—
External interrupt 0	16	10	ICR00	3BC _H	000FFFB _C	6
External interrupt 1	17	11	ICR01	3B8 _H	000FFFB8 _H	7
External interrupt 2	18	12	ICR02	3B4 _H	000FFFB4 _H	—
External interrupt 3	19	13	ICR03	3B0 _H	000FFFB0 _H	—
External interrupt 4	20	14	ICR04	3AC _H	000FFFA _C	—
External interrupt 5	21	15	ICR05	3A8 _H	000FFFA8 _H	—
External interrupt 6	22	16	ICR06	3A4 _H	000FFFA4 _H	—
External interrupt 7	23	17	ICR07	3A0 _H	000FFFA0 _H	—
Reload timer 0	24	18	ICR08	39C _H	000FFF9 _C	8
Reload timer 1	25	19	ICR09	398 _H	000FFF98 _H	9
Reload timer 2	26	1A	ICR10	394 _H	000FFF94 _H	10
UART0(Reception completed)	27	1B	ICR11	390 _H	000FFF90 _H	0
UART0 (RX completed)	28	1C	ICR12	38C _H	000FFF8 _C	3
DTTI	29	1D	ICR13	388 _H	000FFF88 _H	—
DMAC0 (end, error)	30	1E	ICR14	384 _H	000FFF84 _H	—
DMAC1 (end, error)	31	1F	ICR15	380 _H	000FFF80 _H	—
DMAC2/3/4 (end, error)	32	20	ICR16	37C _H	000FFF7 _C	—

(Continued)

MB91260B Series

Interrupt source	Interrupt number		Interrupt level	Offset	TBR default address	RN
	10	16				
UART1(Reception completed)	33	21	ICR17	378 _H	000FFF78 _H	1
UART1 (RX completed)	34	22	ICR18	374 _H	000FFF74 _H	4
UART2 (Reception completed)	35	23	ICR19	370 _H	000FFF70 _H	2
UART2 (RX completed)	36	24	ICR20	36C _H	000FFF6C _H	5
MAC	37	25	ICR21	368 _H	000FFF68 _H	—
PPG0	38	26	ICR22	364 _H	000FFF64 _H	—
PPG1	39	27	ICR23	360 _H	000FFF60 _H	—
PPG2/3	40	28	ICR24	35C _H	000FFF5C _H	—
PPG4/5/6/7	41	29	ICR25	358 _H	000FFF58 _H	—
PPG8/9/10/11/12/13/14/15	42	2A	ICR26	354 _H	000FFF54 _H	—
External interrupt 8/9	43	2B	ICR27	350 _H	000FFF50 _H	—
Waveform0 (under flow)	44	2C	ICR28	34C _H	000FFF4C _H	—
Waveform1 (under flow)	45	2D	ICR29	348 _H	000FFF48 _H	—
Waveform2 (under flow)	46	2E	ICR30	344 _H	000FFF44 _H	—
Timebase timer overflow	47	2F	ICR31	340 _H	000FFF40 _H	—
Free-run timer (Compare clear)	48	30	ICR32	33C _H	000FFF3C _H	—
Free-run timer (zero detection)	49	31	ICR33	338 _H	000FFF38 _H	—
A/D0	50	32	ICR34	334 _H	000FFF34 _H	—
A/D1	51	33	ICR35	330 _H	000FFF30 _H	—
A/D2	52	34	ICR36	32C _H	000FFF2C _H	—
PWC0 (measurement completed)	53	35	ICR37	328 _H	000FFF28 _H	—
PWC1 (measurement completed)	54	36	ICR38	324 _H	000FFF24 _H	—
PWC0 (overflow)	55	37	ICR39	320 _H	000FFF20 _H	—
PWC1 (overflow)	56	38	ICR40	31C _H	000FFF1C _H	—
ICU0 (capture)	57	39	ICR41	318 _H	000FFF18 _H	—
ICU1 (capture)	58	3A	ICR42	314 _H	000FFF14 _H	—
ICU2/3 (capture)	59	3B	ICR43	310 _H	000FFF10 _H	—
OCU0/1 (match)	60	3C	ICR44	30C _H	000FFF0C _H	—
OCU2/3 (match)	61	3D	ICR45	308 _H	000FFF08 _H	—
OCU4/5 (match)	62	3E	ICR46	304 _H	000FFF04 _H	—
Delay interrupt source bit	63	3F	ICR47	300 _H	000FFF00 _H	—
System reserved (Used by REALOS)	64	40	—	2FC _H	000FFEFC _H	—
System reserved (Used by REALOS)	65	41	—	2F8 _H	000FFE8 _H	—

(Continued)

MB91260B Series

(Continued)

Interrupt source	Interrupt number		Interrupt level	Offset	TBR default address	RN
	10	16				
System reserved	66	42	—	2F4 _H	000FFE _{F4H}	—
System reserved	67	43	—	2F0 _H	000FFE _{F0H}	—
System reserved	68	44	—	2EC _H	000FFE _{ECH}	—
System reserved	69	45	—	2E8 _H	000FFE _{E8H}	—
System reserved	70	46	—	2E4 _H	000FFE _{E4H}	—
System reserved	71	47	—	2E0 _H	000FFE _{E0H}	—
System reserved	72	48	—	2DC _H	000FFE _{DC_H}	—
System reserved	73	49	—	2D8 _H	000FFE _{D8_H}	—
System reserved	74	4A	—	2D4 _H	000FFE _{D4_H}	—
System reserved	75	4B	—	2D0 _H	000FFE _{D0_H}	—
System reserved	76	4C	—	2CC _H	000FFE _{CC_H}	—
System reserved	77	4D	—	2C8 _H	000FFE _{C8_H}	—
System reserved	78	4E	—	2C4 _H	000FFE _{C4_H}	—
System reserved	79	4F	—	2C0 _H	000FFE _{C0_H}	—
Used by INT instruction	80 to 255	50 to FF	—	2BC _H to 000 _H	000FFE _{BC_H} to 000FFC _{00_H}	—

■ PIN STATUS IN EACH CPU STATE

Terms used as the status of pins mean as follows.

- Input enabled
- Indicates that the input function can be used.
- Input 0 fixed
- Indicates that the input level has been internally fixed to be 0 to prevent leakage when the input is released.
- Output Hi-Z
- Means the placing of a pin in a high impedance state by preventing the transistor for driving the pin from driving.
- Output is maintained.
- Indicates the output in the output state existing immediately before this mode is established.
- If the device enters this mode with an internal output peripheral operating or while serving as an output port, the output is performed by the internal peripheral or the port output is maintained, respectively.
- State existing immediately before is maintained.
- When the device serves for output or input immediately before entering this mode, the device maintains the output or is ready for the input, respectively.

MB91260B Series

- List of pin status (single chip mode)

Pin no.		Pin name	Function	At initializing		At sleep mode	At Stop mode			
QFP	LQFP			$\overline{\text{INIT}} = \text{L}^{*1}$	$\overline{\text{INIT}} = \text{H}^{*2}$		HIZ = 0	HIZ = 1		
1	99	P23	SIN1	Output Hi-Z/ Input disabled	Output Hi-Z/ Input enabled	Retention of the immediately prior state	Retention of the immediately prior state	Output Hi-Z/ Input 0 fixed		
2	100	P24	SOT1			Input enabled	Input enabled	Input enabled		
3	1	P25	SCK1			Retention of the immediately prior state	Retention of the immediately prior state	Output Hi-Z/ Input 0 fixed		
4, 5	2, 3	P26, P27	INT6, INT7			Input enabled	Input enabled	Input enabled		
6	4	P51	Port			Retention of the immediately prior state	Retention of the immediately prior state	Output Hi-Z/ Input 0 fixed		
7 to 9	5 to 7	P50, P52, P53	Ports/ TIN0 to TIN2			Input enabled	Input enabled	Input enabled		
10	8	P54	INT0			Output Hi-Z/ Input disabled	Output Hi-Z/ Input enabled	Retention of the immediately prior state	Retention of the immediately prior state	Output Hi-Z/ Input 0 fixed
11	9	P55	INT1					Input enabled	Input enabled	Input enabled
12	10	P56	INT2					Retention of the immediately prior state	Retention of the immediately prior state	Output Hi-Z/ Input 0 fixed
13	11	P57	INT3					Input enabled	Input enabled	Input enabled
14	12	PG0	CKI/INT4					Retention of the immediately prior state	Retention of the immediately prior state	Output Hi-Z/ Input 0 fixed
15	13	PG1	PPG0/INT5					Input enabled	Input enabled	Input enabled
16	14	PG2	Ports					Retention of the immediately prior state	Retention of the immediately prior state	Output Hi-Z/ Input 0 fixed
20	18	PG3	SIN2					Input enabled	Input enabled	Input enabled
21	19	PG4	SOT2					Retention of the immediately prior state	Retention of the immediately prior state	Output Hi-Z/ Input 0 fixed
22	20	PG5	SCK2					Input enabled	Input enabled	Input enabled
23 to 30	21 to 28	P40 to P47	Ports					Retention of the immediately prior state	Retention of the immediately prior state	Output Hi-Z/ Input 0 fixed
31, 32	29, 30	PE1, PE0	AN11, AN10					Input enabled	Input enabled	Input enabled
38, 39	36, 37	PD1, PD0	AN9, AN8					Retention of the immediately prior state	Retention of the immediately prior state	Output Hi-Z/ Input 0 fixed
41 to 48	39 to 46	PC7 to PC0	AN7 to AN0					Input enabled	Input enabled	Input enabled
51 to 56	49 to 54	P30 to P35	RTO0 to RTO5					Retention of the immediately prior state	Retention of the immediately prior state	Output Hi-Z/ Input 0 fixed
57, 58	55, 56	P36, P37	IC0, IC1					Input enabled	Input enabled	Input enabled
59, 60	57, 58	P60, P61	IC2, IC3					Retention of the immediately prior state	Retention of the immediately prior state	Output Hi-Z/ Input 0 fixed
61, 62	59, 60	P62, P63	INT8, INT9					Input enabled	Input enabled	Input enabled

(Continued)

MB91260B Series

(Continued)

P : Selection of general purpose port, F : Selection of specified function

Pin no.		Pin name	Function	At initializing		At sleep mode	At Stop mode	
QFP	LQFP			$\overline{\text{INIT}} = \text{L}^{*1}$	$\overline{\text{INIT}} = \text{H}^{*2}$		HIZ = 0	HIZ = 1
63, 64	61, 62	P70, P71	TOT1, TOT2	Output Hi-Z/ input disabled	Output Hi-Z/ input enabled	Retention of the immediately prior state	Retention of the immediately prior state	Output Hi-Z/ Input 0 fixed
65	63	P72	DTTI					
66	64	P73	PWI0					
69	67	P74	PWI1					
70	68	P75	ADTG0					
71	69	P76	ADTG1					
72	70	P77	ADTG2					
73	71	NMI	NMI	Input enabled	Input enabled	Input enabled	Input enabled	Input enabled
78	76	P00	PPG1	Output Hi-Z/ input disabled	output Hi-Z/ input enabled	Retention of the immediately prior state	Retention of the immediately prior state	Output Hi-Z/ input 0 fixed
79	77	P01	PPG2					
80	78	P02	PPG3					
81	79	P03	PPG4					
82	80	P04	PPG5					
83	81	P05	PPG6					
84	82	P06	PPG7					
85	83	P07	PPG8					
86	84	P10	PPG9					
87	85	P11	PPG10					
88	86	P12	PPG11					
89	87	P13	PPG12					
90	88	P14	PPG13					
91	89	P15	PPG14					
96	94	P16	PPG15					
97	95	P17	Ports					
98	96	P20	SIN0					
99	97	P21	SOT0					
100	98	P22	SCK0					

*1 : $\overline{\text{INIT}} = \text{L}$: Indicates the pin status with $\overline{\text{INIT}}$ remaining at the "L" level.

*2 : $\overline{\text{INIT}} = \text{H}$: Indicates the pin status existing immediately after $\overline{\text{INIT}}$ transition from "L" to "H" level.

MB91260B Series

■ ELECTRICAL CHARACTERISTICS

1. Absolute Maximum Ratings

Parameter	Symbol	Rating		Unit	Remarks
		Min	Max		
Power supply voltage*1	V_{CC}	$V_{SS} - 0.5$	$V_{SS} + 6.0$	V	
Analog power supply voltage*1	AV_{CC}	$V_{SS} - 0.5$	$V_{SS} + 6.0$	V	*2
Analog reference voltage*1	AV_{RH}	$V_{SS} - 0.5$	$V_{SS} + 6.0$	V	*2
Input voltage*1	V_I	$V_{SS} - 0.3$	$V_{CC} + 0.3$	V	
Analog pin input voltage*1	V_{IA}	$V_{SS} - 0.3$	$AV_{CC} + 0.3$	V	
Output voltage*1	V_O	$V_{SS} - 0.3$	$V_{CC} + 0.3$	V	
"L" level maximum output current	I_{OL}	—	10	mA	*3
"L" level average output current	I_{OLAV}	—	8	mA	*4
"L" level total maximum output current	ΣI_{OL}	—	100	mA	
"L" level total average output current	ΣI_{OLAV}	—	50	mA	*5
"H" level maximum output current	I_{OH}	—	- 10	mA	*3
"H" level average output current	I_{OHAV}	—	- 4	mA	*4
"H" level total maximum output current	ΣI_{OH}	—	- 50	mA	
"H" level total average output current	ΣI_{OHAV}	—	- 20	mA	*5
Power consumption	P_D	—	600	mW	FLASH product
			600		MASK product $T_a \leq +85\text{ }^\circ\text{C}$
			360		MASK product $T_a \leq +105\text{ }^\circ\text{C}$ *6
Operating temperature	T_a	- 40	+ 105	$^\circ\text{C}$	MASK product (at single chip operating)
		- 40	+ 85	$^\circ\text{C}$	FLASH product (at single chip operating)
Storage temperature	T_{stg}	- 55	125	$^\circ\text{C}$	

*1 : This parameter is based on $V_{SS} = AV_{SS} = 0.0\text{ V}$.

*2 : Be careful not to exceed $V_{CC} + 0.3\text{ V}$, for example, when the power is turned on.
Be careful not to let AV_{CC} exceed V_{CC} , for example, when the power is turned on.

*3 : The maximum output current is the peak value for a single pin.

*4 : The average output current is the average current for a single pin over a period of 100 ms.

*5 : The total average output current is the average current for all pins over a period of 100 ms.

*6 : For use at $T_a = +105\text{ }^\circ\text{C}$, lower the operating frequency to reduce power consumption.

WARNING: Semiconductor devices can be permanently damaged by application of stress (voltage, current, temperature, etc.) in excess of absolute maximum ratings. Do not exceed these ratings.

2. Recommended Operating Conditions

(V_{SS} = AV_{SS} = 0 V)

Parameter	Symbol	Value		Unit	Remarks
		Min	Max		
Power supply voltage	V _{CC}	4.0	5.5	V	At normal operating
Analog power supply voltage	AV _{CC}	V _{SS} + 4.0	V _{SS} + 5.5	V	
Analog reference voltage	AVRH0	AV _{SS}	AV _{CC}	V	For A/D converter 0
	AVRH1	AV _{SS}	AV _{CC}	V	For A/D converter 1
	AVRH2	AV _{SS}	AV _{CC}	V	For A/D converter 2
Operating temperature	T _a	- 40	+ 105	°C	MASK product (at single chip operation)
		- 40	+ 85	°C	FLASH product (at single chip operation)

Note : Upon power up, it takes approx. 100 μ s for stabilization of internal power supply after the V_{CC} power supply is stabilized. Keep applying "L" to $\overline{\text{INIT}}$ signal during that period.

WARNING: The recommended operating conditions are required in order to ensure the normal operation of the semiconductor device. All of the device's electrical characteristics are warranted when the device is operated within these ranges.

Always use semiconductor devices within their recommended operating condition ranges. Operation outside these ranges may adversely affect reliability and could result in device failure.

No warranty is made with respect to uses, operating conditions, or combinations not represented on the data sheet. Users considering application outside the listed conditions are advised to contact their representatives beforehand.

MB91260B Series

3. DC Characteristics

($V_{CC} = 4.0$ to 5.5 V, $V_{SS} = AV_{SS} = 0$ V)

Parameter	Symbol	Pin	Conditions	Value			Unit	Remarks
				Min	Typ	Max		
"H" level input voltage	V_{IH}	Other than hysteresis input pin	—	$0.8 \times V_{CC}$	—	V_{CC}	V	
	V_{IHS}	Hysteresis input pin	—	$V_{CC} - 0.4$	—	V_{CC}	V	
Input Low Voltage	V_{IL}	Other than hysteresis input pin	—	V_{SS}	—	$0.2 \times V_{CC}$	V	
	V_{ILS}	Hysteresis input pin	—	V_{SS}	—	$V_{SS} + 0.4$	V	
"H" level output voltage	V_{OH}	Other than P30 to P35	$V_{CC} = 5.0$ V, $I_{OH} = 4.0$ mA	$V_{CC} - 0.5$	—	—	V	
	V_{OH2}	P30 to P35	$V_{CC} = 5.0$ V, $I_{OH} = 8.0$ mA	$V_{CC} - 0.7$	—	—	V	
Output Low Voltage	V_{OL}	Other than P30 to P35	$V_{CC} = 5.0$ V, $I_{OL} = 4.0$ mA	—	—	0.4	V	
	V_{OL2}	P30 to P35	$V_{CC} = 5.0$ V, $I_{OL} = 12$ mA	—	—	0.6	V	
Input leak current	I_{LI}	—	$V_{CC} = 5.0$ V, $V_{SS} \leq V_I \leq V_{CC}$	- 5	—	5	μ A	
Pull-up resistance	R_{PULL}	\overline{INIT} , Pull-up pin	—	—	50	—	k Ω	
Power supply current	I_{CC}	V_{CC}	$V_{CC} = 5.0$ V, 33 MHz	—	90	100	mA	
	I_{CCS}	V_{CC}	$V_{CC} = 5.0$ V, 33 MHz	—	60	80	mA	At SLEEP
	I_{CCH}	V_{CC}	$V_{CC} = 5.0$ V, $T_a = +25$ °C	—	300	—	μ A	At STOP
Input capacitance	C_{IN}	Other than V_{CC} , V_{SS} , AV_{CC} , AV_{SS} , AVRH0, 1, 2	—	—	10	—	pF	

4. FLASH MEMORY write/erase characteristics

Parameter	Conditions	Value			Unit	Remarks
		Min	Typ	Max		
Sector erase time	Ta = +25 °C, Vcc = 5.0 V	—	1	15	s	Not including time for internal writing before deletion.
Chip erase time	Ta = +25 °C, Vcc = 5.0 V	—	10	—	s	Not including time for internal writing before deletion.
Byte write time	Ta = +25 °C, Vcc = 5.0 V	—	8	3,600	μs	Not including system-level overhead time.
Chip write time	Ta = +25 °C, Vcc = 5.0 V	—	2.1	—	s	Not including system-level overhead time.
Erase/write cycle	—	10,000	—	—	cycle	
Flash memory data retention time	Average Ta = +85 °C	20	—	—	year	*

* : This value comes from the technology qualification. (using Arrhenius equation to translate high temperature measurements into normalized value at +85 °C)

MB91260B Series

5. AC Characteristics

(1) Clock Timing Ratings

($V_{CC} = 4.0$ to 5.5 V, $V_{SS} = AV_{SS} = 0$ V)

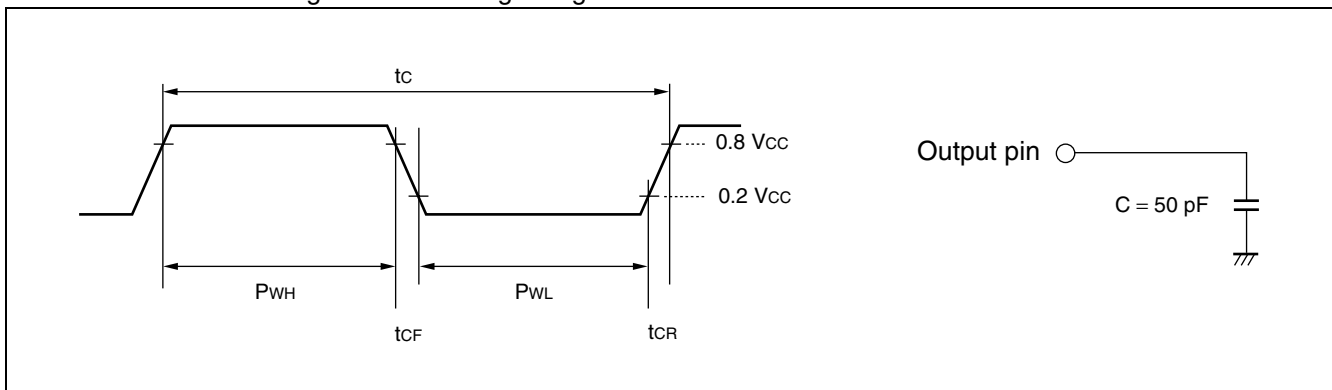
Parameter	Symbol	Pin	Conditions	Value			Unit	Remarks
				Min	Typ	Max		
Clock frequency	f_c	X0 X1	—	3.6*2	—	12	MHz	For using the PLL within the self-oscillation enabled range, set the multiplier for the internal clock not to let the operating frequency exceed 33 MHz.
Clock cycle time	t_c	X0 X1		83.3	—	278*2	ns	
Internal operating clock frequency	f_{CP}	—	When 4.125 MHz is input as the X0 clock frequency and $\times 8$ multiplication is set for the PLL of the oscillator circuit.	2.06*1	—	33	MHz	CPU
	f_{CPP}			2.06*1	—	33	MHz	Peripheral
Internal operating clock cycle time	t_{CP}	—		30.3	—	485*1	ns	CPU
	t_{CPP}			30.3	—	485*1	ns	Peripheral

*1 : The values assume a gear cycle of 1/16.

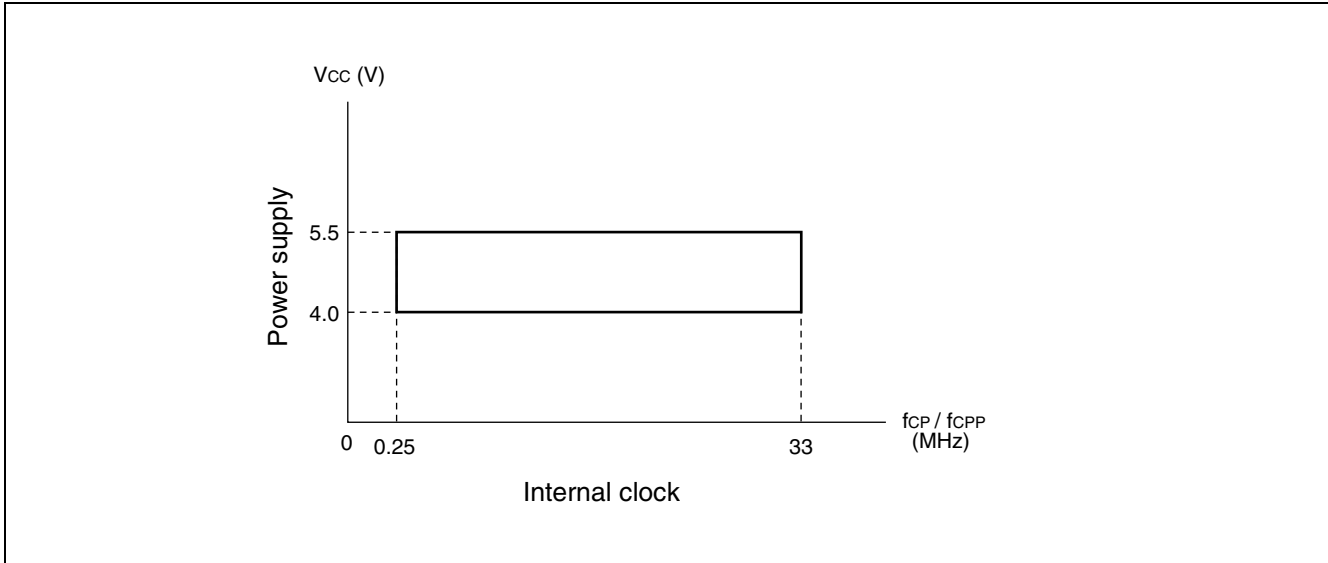
*2 : When the PLL is used, the lower-limit frequency of the input clock to the X0 and X1 pins determines depending on the PLL multiplication.

- At $\times 1$ multiplication : more than 8 MHz
- At $\times 2$ to $\times 8$ multiplication : more than 4 MHz

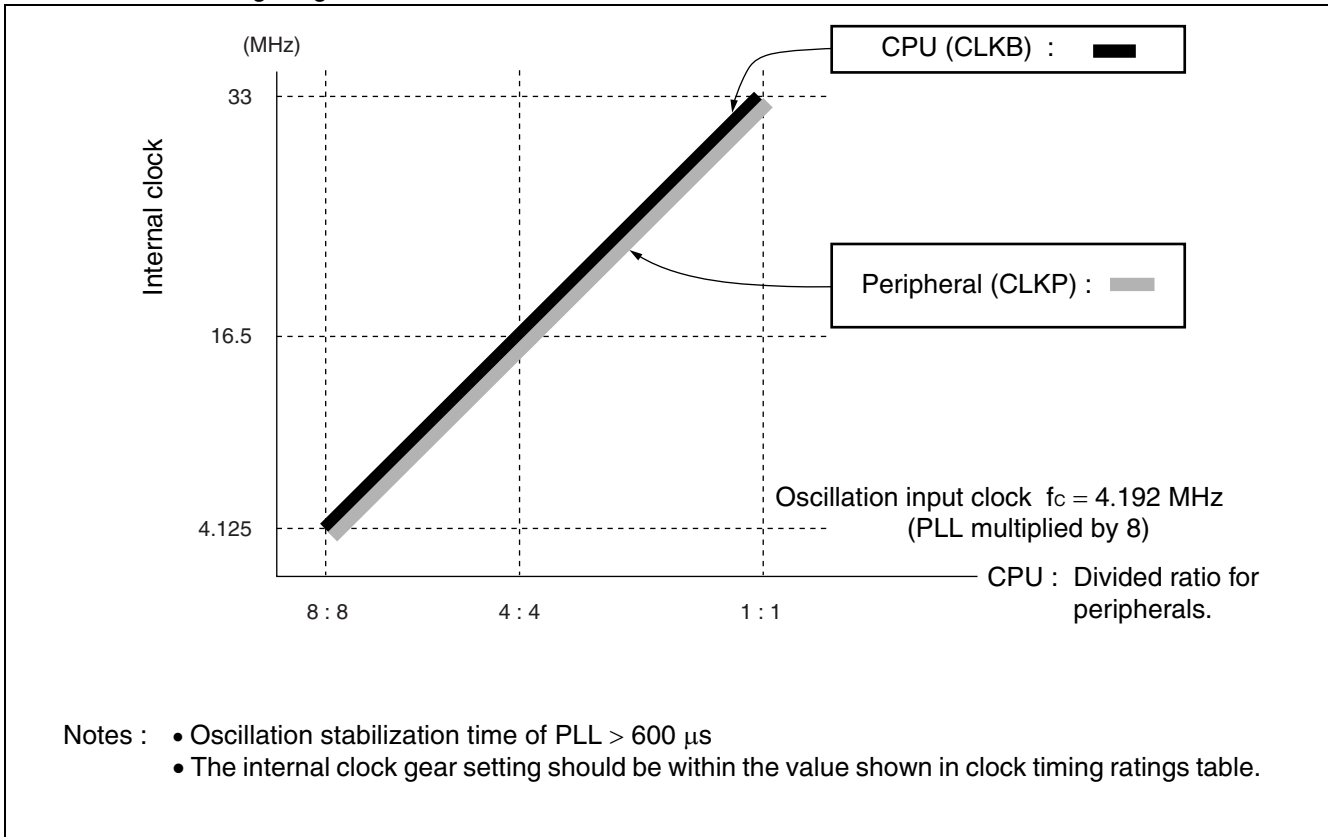
• Conditions for measuring the clock timing ratings



• Operation Assurance Range



• Internal clock setting range



- Notes :
- Oscillation stabilization time of PLL > 600 μ s
 - The internal clock gear setting should be within the value shown in clock timing ratings table.

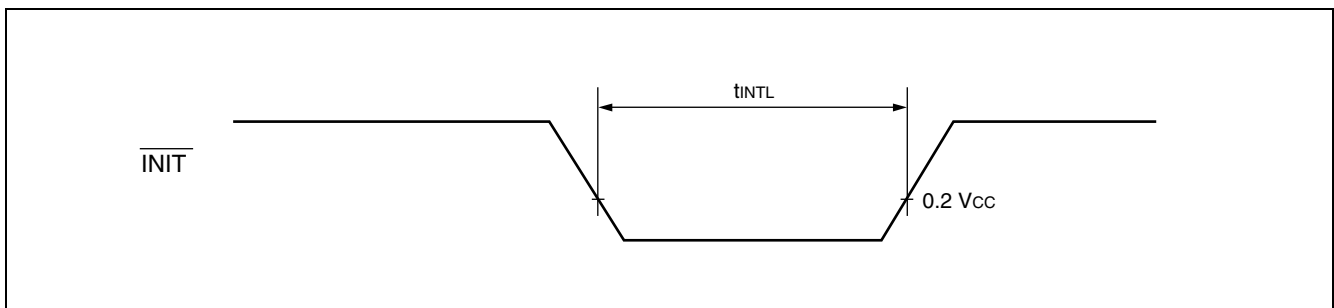
MB91260B Series

(2) Reset Input

($V_{CC} = 4.0$ to 5.5 V, $V_{SS} = AV_{SS} = 0$ V)

Parameter	Symbol	Pin	Conditions	Value		Unit	Remarks
				Min	Max		
\overline{INIT} input time (at power-on and STOP mode)	t_{INTL}	\overline{INIT}	—	Oscillation time of oscillator + $t_c \times 10$	—	ns	*
\overline{INIT} input time (other than the above)				$t_c \times 10$	—	ns	

* : After the power is stable, L level is kept inputting to \overline{INIT} for the duration of approximately $100 \mu s$ until the internal power is stabilized.



(3) UART Timing

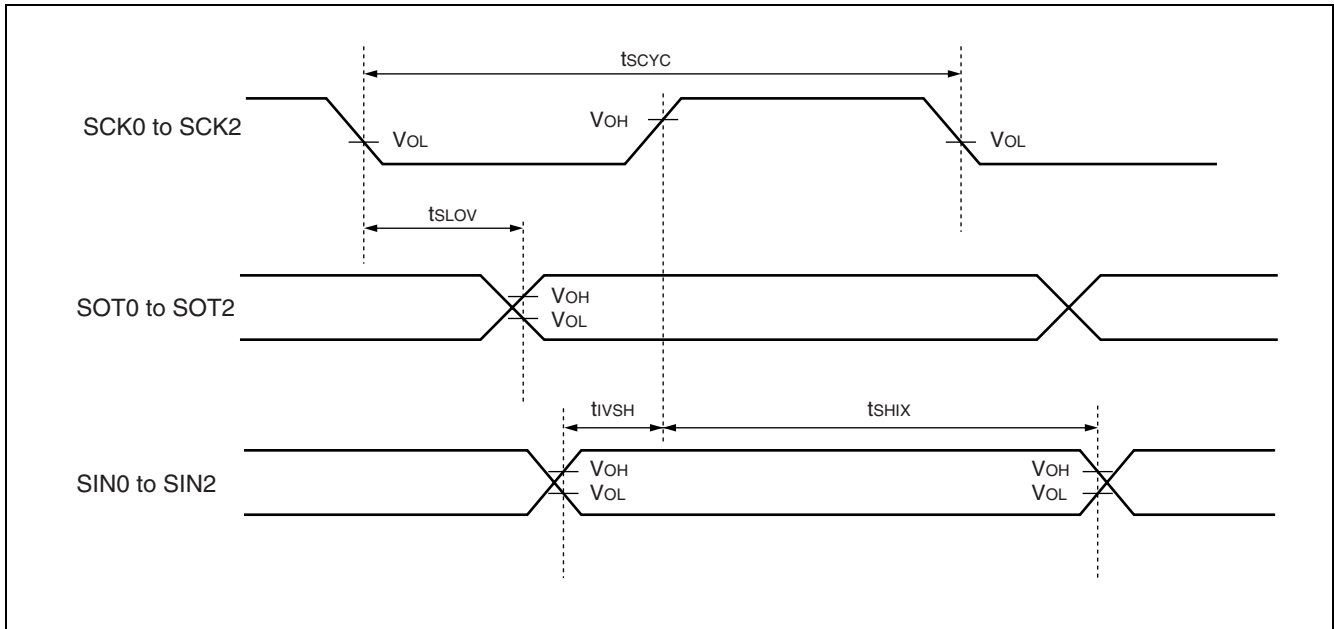
($V_{CC} = 4.0$ to 5.5 V, $V_{SS} = AV_{SS} = 0$ V)

Parameter	Symbol	Pin	Conditions	Value		Unit	Remarks
				Min	Max		
Serial clock cycle time	t_{SCYC}	SCK0 to SCK2	Internal shift clock mode	$8 t_{CYCP}$	—	ns	
SCK ↓ → SOT delay time	t_{SLOV}	SCK0 to SCK2, SOT0 to SOT2		- 80	80	ns	
Valid SIN → SCK ↑	t_{IVSH}	SCK0 to SCK2, SIN0 to SIN2		100	—	ns	
SCK ↑ → valid SIN hold time	t_{SHIX}	SCK0 to SCK2, SIN0 to SIN2		60	—	ns	
Serial clock H pulse width	t_{SHSL}	SCK0 to SCK2	External shift clock mode	$4 t_{CYCP}$	—	ns	
Serial clock L pulse width	t_{SLSH}	SCK0 to SCK2		$4 t_{CYCP}$	—	ns	
SCK ↓ → SOT delay time	t_{SLOV}	SCK0 to SCK2, SOT0 to SOT2		—	150	ns	
Valid SIN → SCK ↑	t_{IVSH}	SCK0 to SCK2, SIN0 to SIN2		60	—	ns	
SCK ↑ → valid SIN hold time	t_{SHIX}	SCK0 to SCK2, SIN0 to SIN2		60	—	ns	

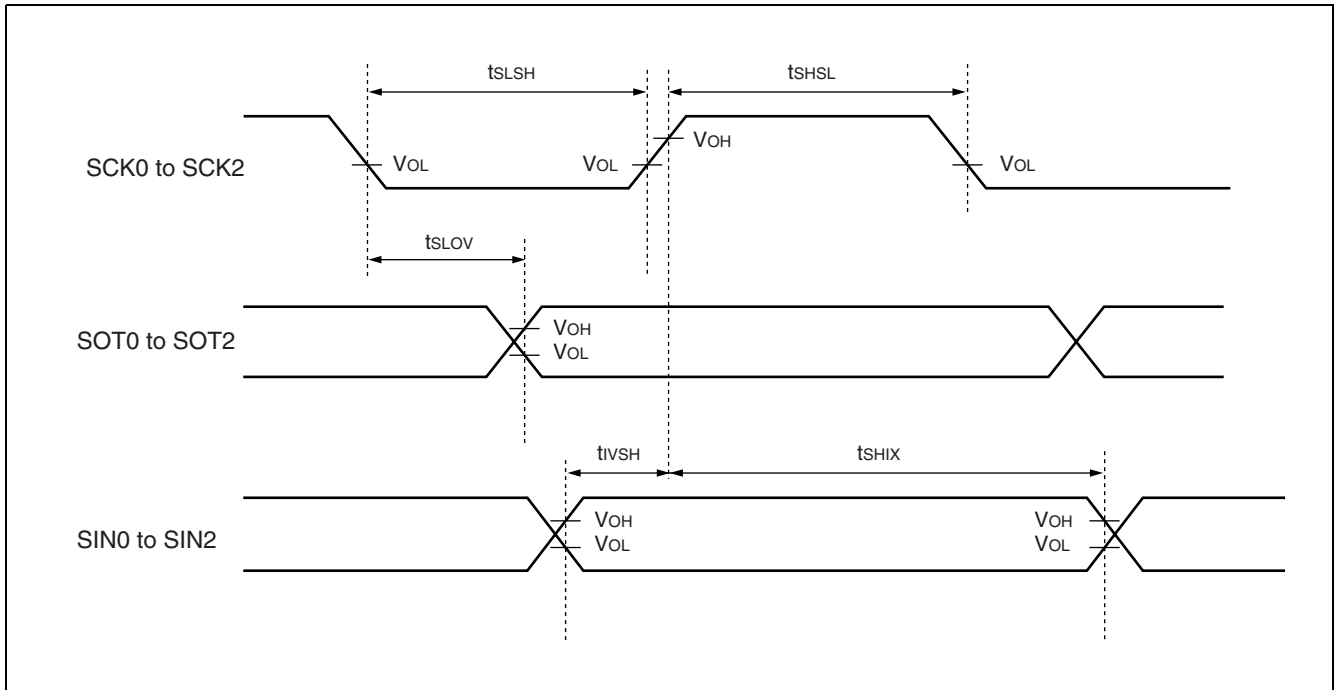
- Notes :
- There are the AC ratings for CLK synchronous mode.
 - t_{CYCP} indicates the peripheral clock cycle time.

MB91260B Series

- Internal shift clock mode



- External shift clock mode

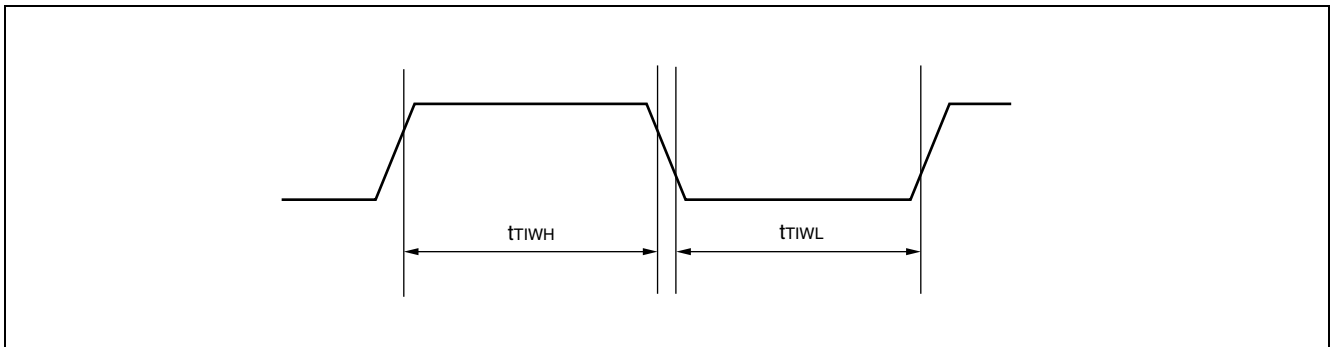


(4) Free-run Timer Clock, PWC Input and Reload Timer Trigger Timing

($V_{CC} = 4.0$ to 5.5 V, $V_{SS} = AV_{SS} = 0$ V)

Parameter	Symbol	Pin	Conditions	Value		Unit	Remarks
				Min	Max		
Input pulse width	t_{TIWH} t_{TIWL}	CKI PW10, PW11 TIN0 to TIN2	—	4 t_{CYCP}	—	ns	

Note : t_{CYCP} indicates the peripheral clock cycle time.



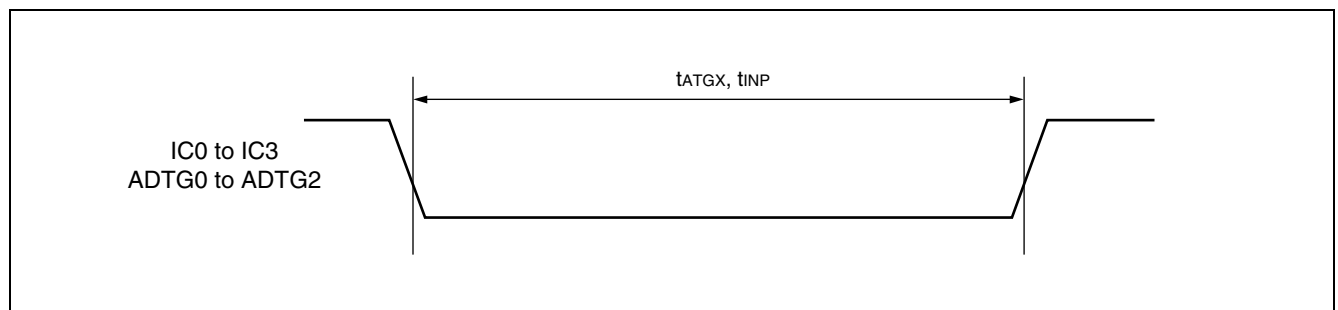
MB91260B Series

(5) Trigger Input Timing

($V_{CC} = 4.0$ to 5.5 V, $V_{SS} = AV_{SS} = 0$ V)

Parameter	Symbol	Pin	Conditions	Value		Unit	Remarks
				Min	Max		
Input capture trigger input	t_{INP}	IC0 to IC3	—	$5 t_{CYCP}$	—	ns	
A/D activation trigger input	t_{ATGX}	ADTG0 to ADTG2	—	$5 t_{CYCP}$	—	ns	

Note : t_{CYCP} indicates the peripheral clock cycle time.



6. Electrical Characteristics for the A/D Converter

($V_{CC} = AV_{CC} = 5.0\text{ V}$, $V_{SS} = AV_{SS} = 0\text{ V}$)

Parameter	Symbol	Pin	Value			Unit	Remarks
			Min	Typ	Max		
Resolution	—	—	—	—	10	bit	
Total error* ¹	—	—	- 4	—	4	LSB	At $AVRHn^{*4} = 5.0\text{ V}$
Linearity error*	—	—	- 3.5	—	3.5	LSB	
Differential linearity error* ¹	—	—	- 3	—	3	LSB	
Zero transition voltage* ¹	V_{OT}	AN0 to AN11	$AV_{SS} - 3.5$	$AV_{SS} + 0.5$	$AV_{SS} + 4.5$	LSB	
Full transition voltage* ¹	V_{FST}	AN0 to AN11	$AVRH - 5.5$	$AVRH - 1.5$	$AVRH + 2.5$	LSB	
Conversion time	—	—	1.2* ²	—	—	μs	
Analog port Input current	I_{AIN}	AN0 to AN11	—	—	10	μA	
Analog input voltage	V_{AIN}	AN0 to AN11	AV_{SS}	—	$AVRH$	V	
Reference voltage	—	$AVRHn$	AV_{SS}	—	AV_{CC}	V	
Analog power supply current (analog + digital)	I_A	AV_{CC}	—	2	—	mA	Per 1 unit
	I_{AH}^{*3}		—	—	100	μA	Per 1 unit
reference power supply current (between $AVRH$ and AV_{SS})	I_R	$AVRHn$	—	1	—	mA	Per 1 unit $AVRHn^{*4} = 5.0\text{ V}$, at $AV_{SS} = 0\text{ V}$
	I_{RH}^{*3}		—	—	100	μA	per 1 unit at STOP
Analog input capacitance	—	—	—	10	—	pF	
Inter-channel disparity	—	AN0 to AN11	—	—	4	LSB	

*1 : Measured in the CPU sleep state

*2 : $V_{CC} = AV_{CC} = 5.0\text{ V}$, machine clock at 33 MHz

*3 : The current when the CPU is in stop mode and the A/D converter is not operating (at $V_{CC} = AV_{CC} = AVRHn = 5.0\text{ V}$)

*4 : $AVRHn = AVRH0, AVRH1, AVRH2$

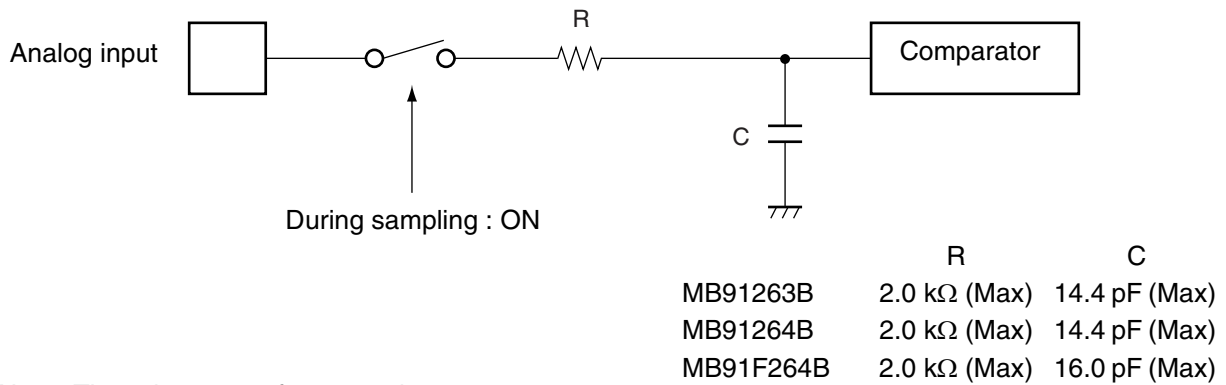
Notes : • The above does not guarantee the inter-unit accuracy.
• Set the output impedance of the external circuit $\leq 2\text{ k}\Omega$.

MB91260B Series

- **About the external impedance of the analog input and its sampling time**

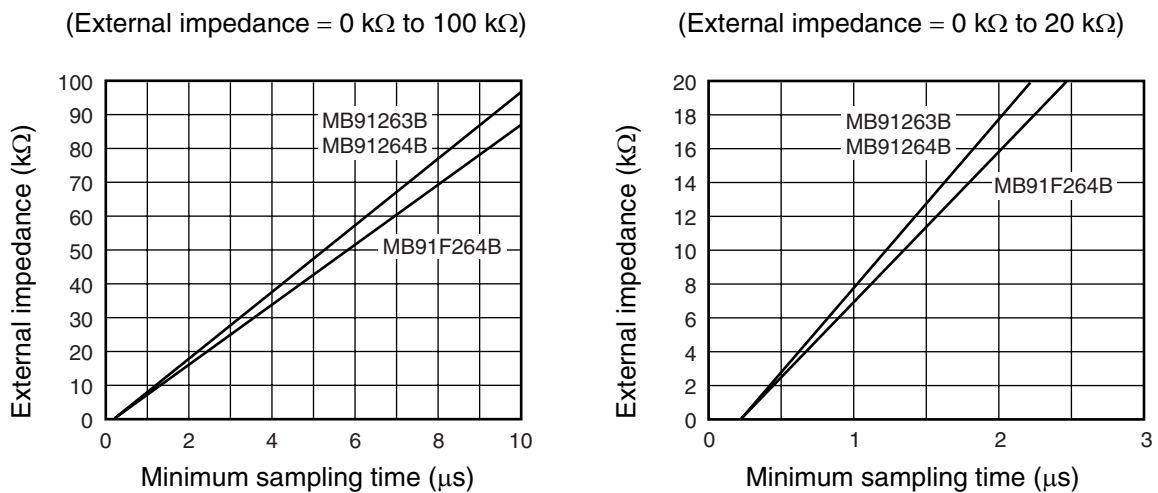
A/D converter with sample and hold circuit. If the external impedance is too high to keep sufficient sampling time, the analog voltage charged to the internal sampling and hold capacitor is insufficient, adversely affecting A/D conversion precision. So, to satisfy the A/D conversion precision standard, consider the relationship between the external impedance and minimum sampling time and either adjust the resistor value and operating frequency or decrease the external impedance so that the sampling time is longer than the minimum value. Also, if the sampling time cannot be sufficient, connect a capacitor of about 0.1 μF to the analog input pin.

- **Analog input circuit model**



Note : The values are reference values.

- **The relationship between the external impedance and minimum sampling time**

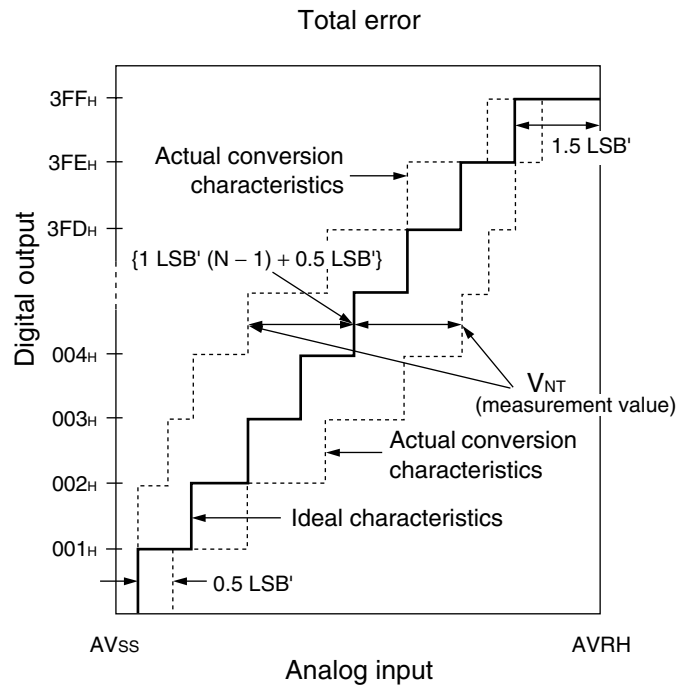


- **About errors**

As $I_{AVRH} - AV_{SS1}$ becomes smaller, values of relative errors grow larger.

Definition of A/D Converter Terms

- Resolution : Analog variation that is recognized by an A/D converter.
- Linearity error : Zero transition point (00 0000 0000 \leftrightarrow 00 0000 0001) and full-scale transition point. Difference between the line connected (11 1111 1110 \leftrightarrow 11 1111 1111) and actual conversion characteristics.
- Differential linearity error : Deviation of input voltage, that is required for changing output code by 1 LSB, from an ideal value.
- Total error : This error indicates the difference between actual and ideal values, including the zero transition error/full-scale transition error/linearity error.



$$1\text{LSB}' \text{ (Ideal value)} = \frac{\text{AVRH} - \text{AVSS}}{1024} \text{ [V]} \quad \text{Total error of digital output N} = \frac{\text{V}_{\text{NT}} - \{1 \text{LSB}' \times (\text{N} - 1) + 0.5 \text{LSB}'\}}{1 \text{LSB}'}$$

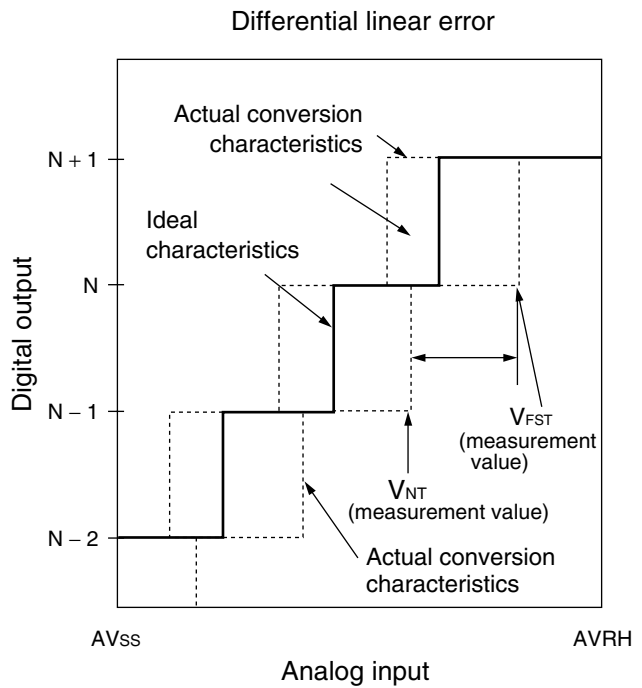
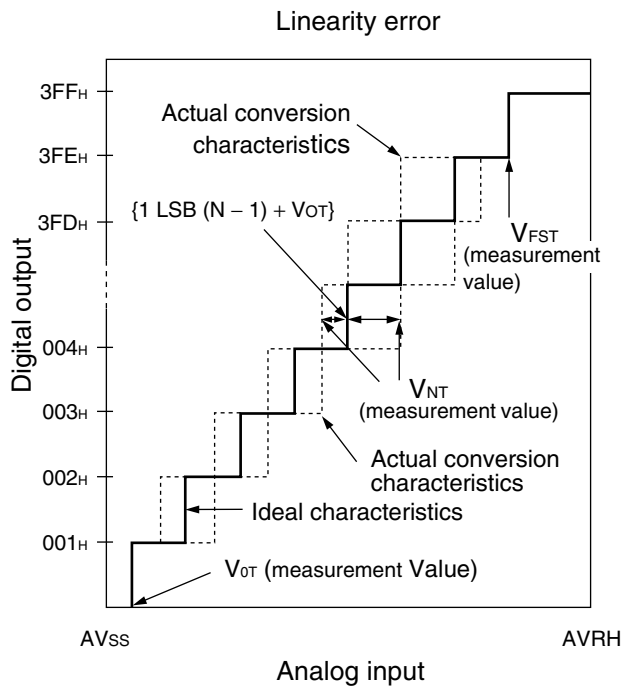
$$\text{V}_{\text{OT}}' \text{ (Ideal value)} = \text{AVSS} + 0.5 \text{LSB}' \text{ [V]}$$

$$\text{V}_{\text{FST}}' \text{ (Ideal value)} = \text{AVRH} - 1.5 \text{LSB}' \text{ [V]} \quad \text{V}_{\text{NT}} : \text{A voltage at which digital output transitions from (N + 1) to N.}$$

(Continued)

MB91260B Series

(Continued)



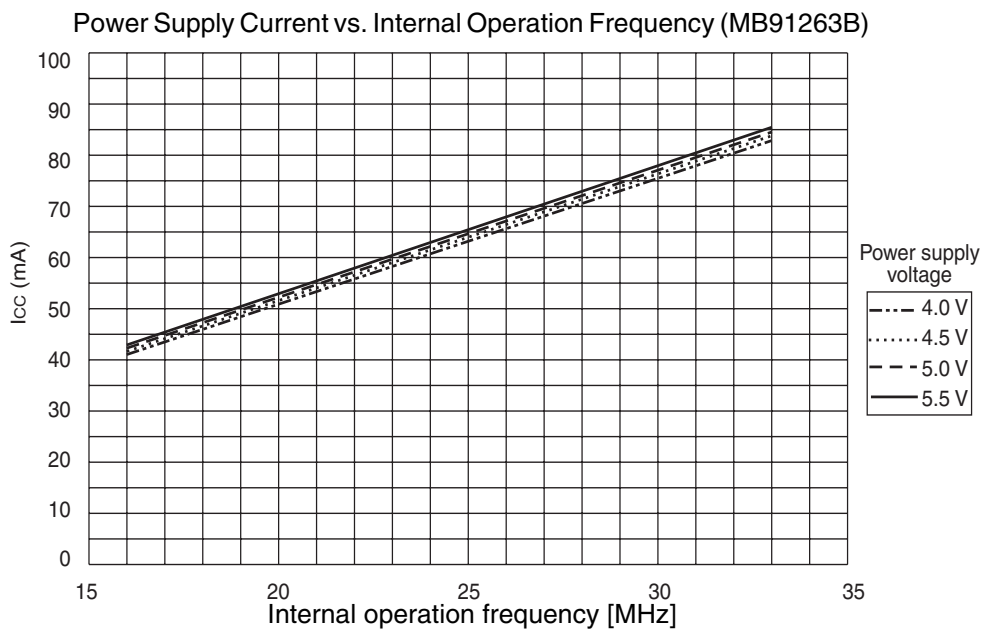
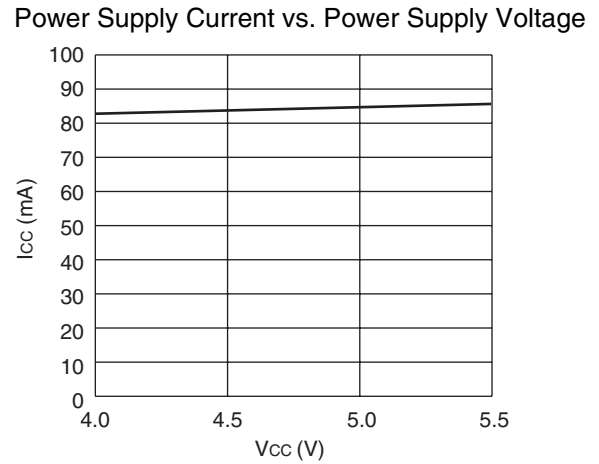
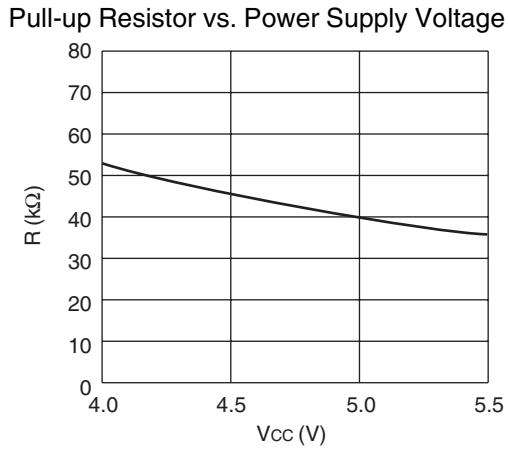
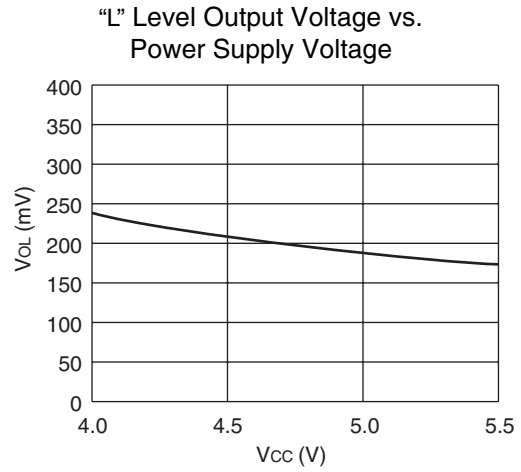
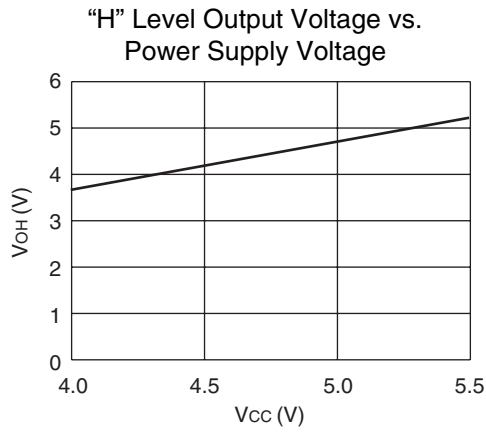
$$\text{Linearity error in digital output } N = \frac{V_{NT} - \{ 1 \text{ LSB} \times (N - 1) + V_{OT} \}}{1 \text{ LSB}} \text{ [LSB]}$$

$$\text{Differential linearity error in digital output } N = \frac{V_{(N+1)T} - V_{NT}}{1 \text{ LSB}} - 1 \text{ [LSB]}$$

$$1 \text{ LSB} = \frac{V_{FST} - V_{OT}}{1022} \text{ [V]}$$

V_{OT} : A voltage at which digital output transitions from 000_H to 001_H.
 V_{FST} : A voltage at which digital output transitions from 3FE_H to 3FF_H.

EXAMPLE CHARACTERISTICS

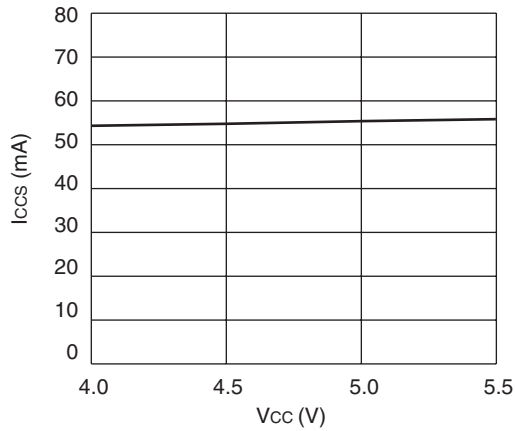


(Continued)

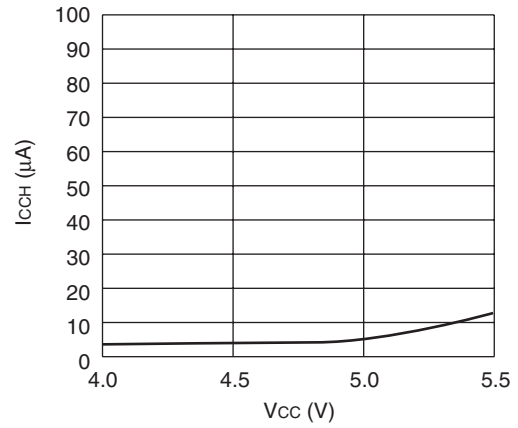
MB91260B Series

(Continued)

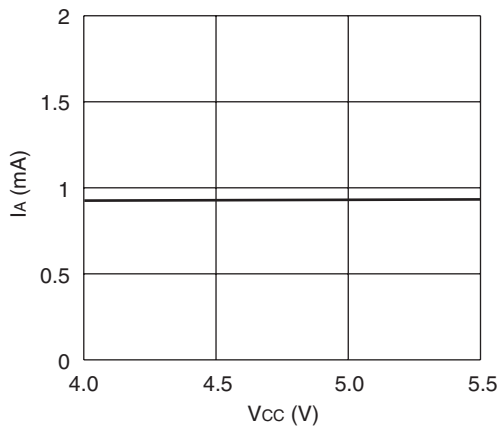
Power Supply Current (at sleep) vs. Power Supply Voltage



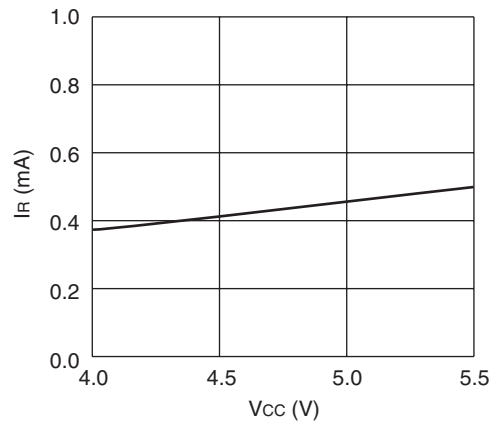
Power Supply Current (at stop) vs. Power Supply Voltage



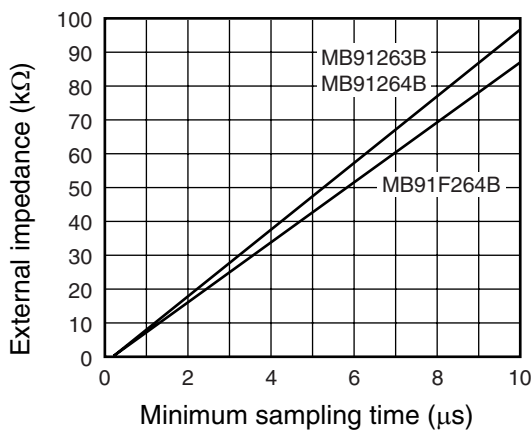
A/D Conversion Block Per 1 Unit (33 MHz)
Analog Power Supply Current vs. Power Supply Voltage



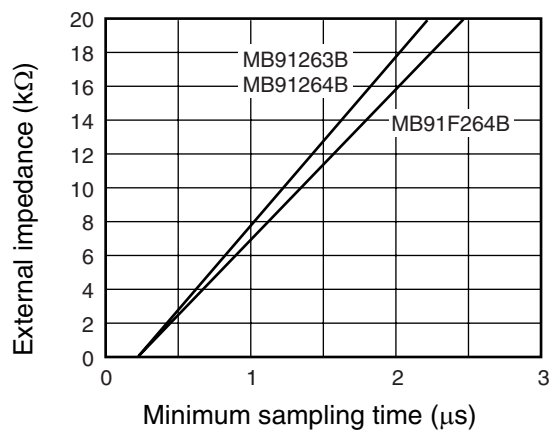
A/D Conversion Block Per 1 Unit (33 MHz)
Reference Power Supply Current vs. Power Supply Voltage



(External impedance = 0 kΩ to 100 kΩ)



(External impedance = 0 kΩ to 20 kΩ)



■ ORDERING INFORMATION

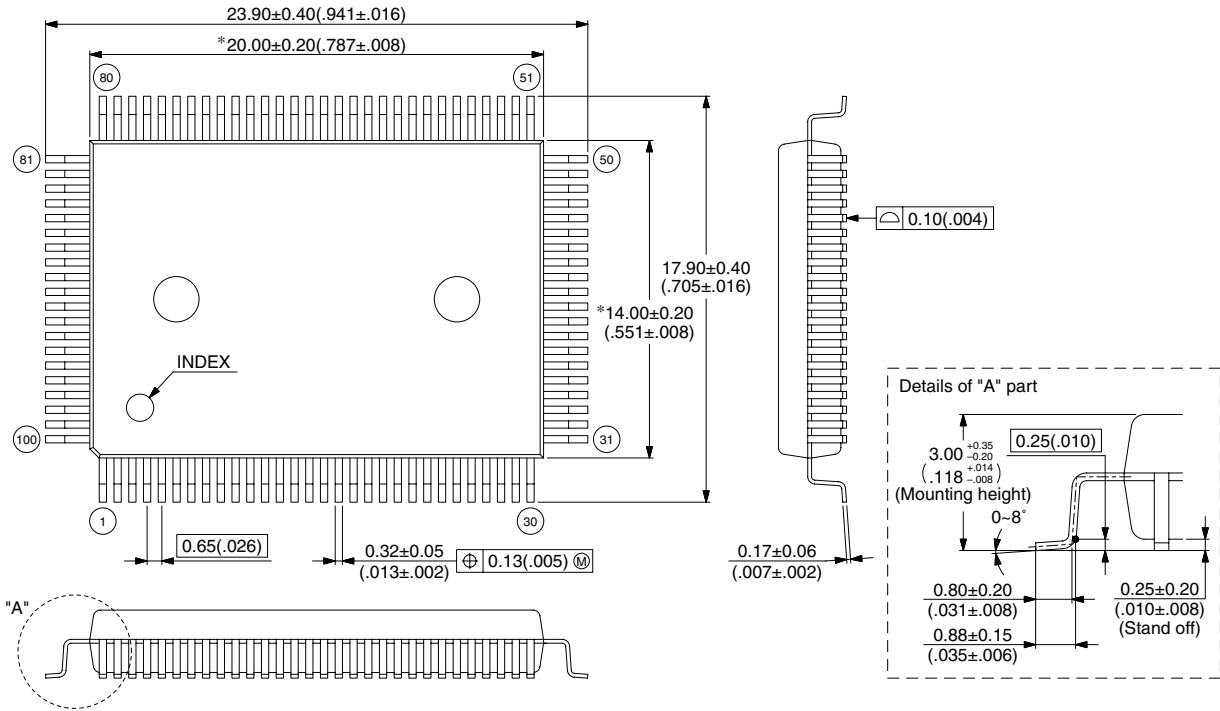
Part number	Package	Remarks
MB91F264BPF-G	100-pin plastic QFP (FPT-100P-M06)	
MB91F264BPF-GE1		Lead-free Package
MB91F264BPFV-G	100-pin plastic LQFP (FPT-100P-M05)	
MB91F264BPFV-GE1		Lead-free Package
MB91264BPF-G-xxx	100-pin plastic QFP (FPT-100P-M06)	
MB91264BPF-G-xxxE1		Lead-free Package
MB91264BPFV-G-xxx	100-pin plastic LQFP (FPT-100P-M05)	
MB91264BPFV-G-xxxE1		Lead-free Package
MB91263BPF-G-xxx	100-pin plastic QFP (FPT-100P-M06)	
MB91263BPF-G-xxxE1		Lead-free Package
MB91263BPFV-G-xxx	100-pin plastic LQFP (FPT-100P-M05)	
MB91263BPFV-G-xxxE1		Lead-free Package

MB91260B Series

PACKAGE DIMENSION

100 - pin plastic QFP
(FPT-100P-M06)

Note 1) * : These dimensions do not include resin protrusion.
 Note 2) Pins width and pins thickness include plating thickness.
 Note 3) Pins width do not include tie bar cutting remainder.



© 2002 FUJITSU LIMITED F100008S-c-5-5

Dimensions in mm (inches)

Note: The values in parentheses are reference values.

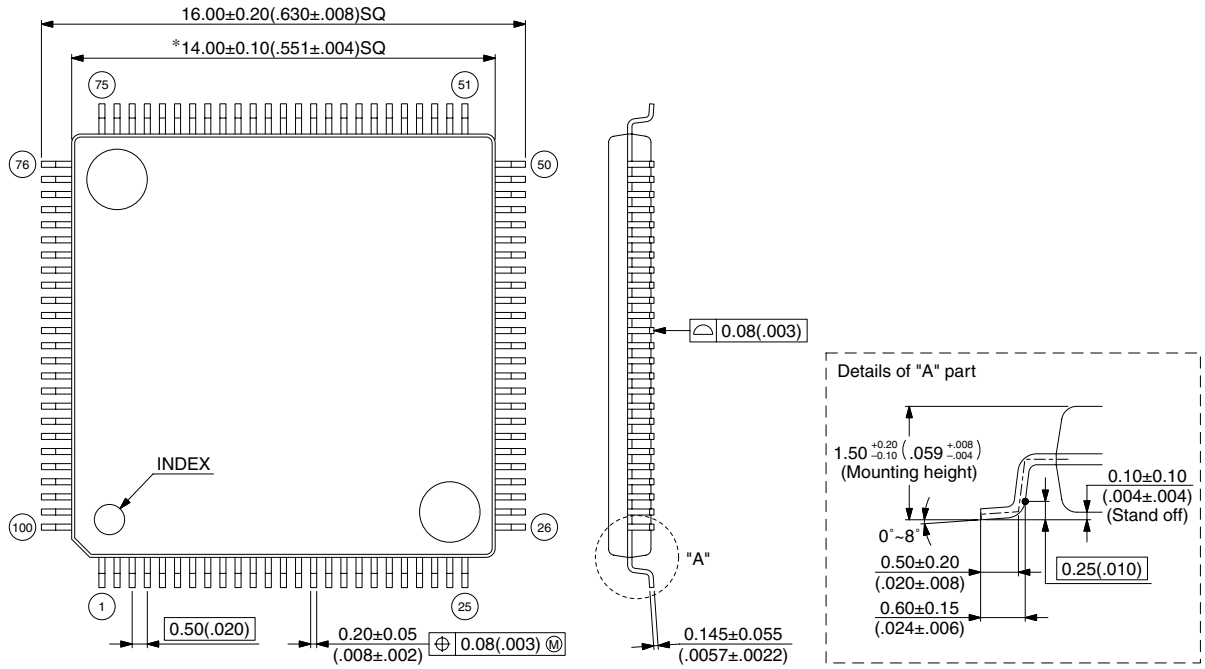
(Continued)

MB91260B Series

(Continued)

100-pin plastic LQFP
(FPT-100P-M05)

Note 1) * : These dimensions do not include resin protrusion.
 Note 2) Pins width and pins thickness include plating thickness.
 Note 3) Pins width do not include tie bar cutting remainder.



© 2003 FUJITSU LIMITED F100007S-c-4-6

Dimensions in mm (inches)

Note: The values in parentheses are reference values.

FUJITSU MICROELECTRONICS LIMITED

Shinjuku Dai-Ichi Seimei Bldg. 7-1, Nishishinjuku 2-chome, Shinjuku-ku,
Tokyo 163-0722, Japan Tel: +81-3-5322-3347 Fax: +81-3-5322-3387
<http://jp.fujitsu.com/fml/en/>

For further information please contact:

North and South America

FUJITSU MICROELECTRONICS AMERICA, INC.
1250 E. Arques Avenue, M/S 333
Sunnyvale, CA 94085-5401, U.S.A.
Tel: +1-408-737-5600 Fax: +1-408-737-5999
<http://www.fma.fujitsu.com/>

Europe

FUJITSU MICROELECTRONICS EUROPE GmbH
Pittlerstrasse 47, 63225 Langen,
Germany
Tel: +49-6103-690-0 Fax: +49-6103-690-122
<http://emea.fujitsu.com/microelectronics/>

Korea

FUJITSU MICROELECTRONICS KOREA LTD.
206 KOSMO TOWER, 1002 Daechi-Dong,
Kangnam-Gu, Seoul 135-280
Korea
Tel: +82-2-3484-7100 Fax: +82-2-3484-7111
<http://www.fmk.fujitsu.com/>

Asia Pacific

FUJITSU MICROELECTRONICS ASIA PTE LTD.
151 Lorong Chuan, #05-08 New Tech Park,
Singapore 556741
Tel: +65-6281-0770 Fax: +65-6281-0220
<http://www.fujitsu.com/sg/services/micro/semiconductor/>

FUJITSU MICROELECTRONICS SHANGHAI CO., LTD.
Rm.3102, Bund Center, No.222 Yan An Road(E),
Shanghai 200002, China
Tel: +86-21-6335-1560 Fax: +86-21-6335-1605
<http://cn.fujitsu.com/fmc/>

FUJITSU MICROELECTRONICS PACIFIC ASIA LTD.
10/F., World Commerce Centre, 11 Canton Road
Tsimshatsui, Kowloon
Hong Kong
Tel: +852-2377-0226 Fax: +852-2376-3269
<http://cn.fujitsu.com/fmc/tw>

All Rights Reserved.

The contents of this document are subject to change without notice.

Customers are advised to consult with sales representatives before ordering.

The information, such as descriptions of function and application circuit examples, in this document are presented solely for the purpose of reference to show examples of operations and uses of FUJITSU MICROELECTRONICS device; FUJITSU MICROELECTRONICS does not warrant proper operation of the device with respect to use based on such information. When you develop equipment incorporating the device based on such information, you must assume any responsibility arising out of such use of the information.

FUJITSU MICROELECTRONICS assumes no liability for any damages whatsoever arising out of the use of the information.

Any information in this document, including descriptions of function and schematic diagrams, shall not be construed as license of the use or exercise of any intellectual property right, such as patent right or copyright, or any other right of FUJITSU MICROELECTRONICS or any third party or does FUJITSU MICROELECTRONICS warrant non-infringement of any third-party's intellectual property right or other right by using such information. FUJITSU MICROELECTRONICS assumes no liability for any infringement of the intellectual property rights or other rights of third parties which would result from the use of information contained herein.

The products described in this document are designed, developed and manufactured as contemplated for general use, including without limitation, ordinary industrial use, general office use, personal use, and household use, but are not designed, developed and manufactured as contemplated (1) for use accompanying fatal risks or dangers that, unless extremely high safety is secured, could have a serious effect to the public, and could lead directly to death, personal injury, severe physical damage or other loss (i.e., nuclear reaction control in nuclear facility, aircraft flight control, air traffic control, mass transport control, medical life support system, missile launch control in weapon system), or (2) for use requiring extremely high reliability (i.e., submersible repeater and artificial satellite).

Please note that FUJITSU MICROELECTRONICS will not be liable against you and/or any third party for any claims or damages arising in connection with above-mentioned uses of the products.

Any semiconductor devices have an inherent chance of failure. You must protect against injury, damage or loss from such failures by incorporating safety design measures into your facility and equipment such as redundancy, fire protection, and prevention of over-current levels and other abnormal operating conditions.

Exportation/release of any products described in this document may require necessary procedures in accordance with the regulations of the Foreign Exchange and Foreign Trade Control Law of Japan and/or US export control laws.

The company names and brand names herein are the trademarks or registered trademarks of their respective owners.