



# 100 GRID TERMINAL RELAY DPDT

• Basic • Suppression • Suppression/Steering

Series  
I MGA

## Product Description

A series of ultra miniature hermetically sealed relays with .100 inch grid spaced terminations. These relays are similar to MA series TO-5 relays construction.

The following construction features ensure the highest reliability in extreme environments:

- All welded relay construction
- Cleaning and sealing techniques ensures maximum internal cleanliness
- Low level to 1 ampere switching
- 2 form C, DPDT contacts, special metal alloy with gold plating
- Frame design and force / mass ratio provides exceptional shock and vibration immunity

Low intercontact capacitance and contact circuit losses, provides also a reliable switching functions in demanding RF applications, combined with small size and low coil power dissipation (see figure 1).

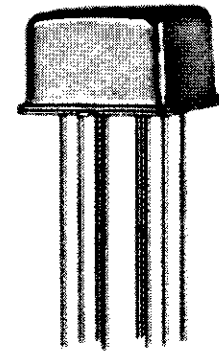
## Series Types (note 1)

- **IMGA\*** Basic Relay, 2 form C, DPDT
- **IMGA\*D** Basic Relay combined with an internal diode for coil transient suppression
- **IMGA\*DD** Basic Relay incorporates two internal diodes for coil transient suppression and polarity reversal protection

## Environmental and Physical Specifications

Temperature (Ambient)	- 65°C to + 125°C
Shock	75 g, 6 ms.
Vibration (sinusoidal)	30 g, 10 to 3000 Hz
Vibration (random)	0,4 g <sup>2</sup> / Hz, 50 to 2000 Hz
Acceleration	50 g
Sealing	All welded, Hermetic
Weight	0,09 oz. (2,55 grams) max.

## MIL-PRF-39016/17, 18 & 19

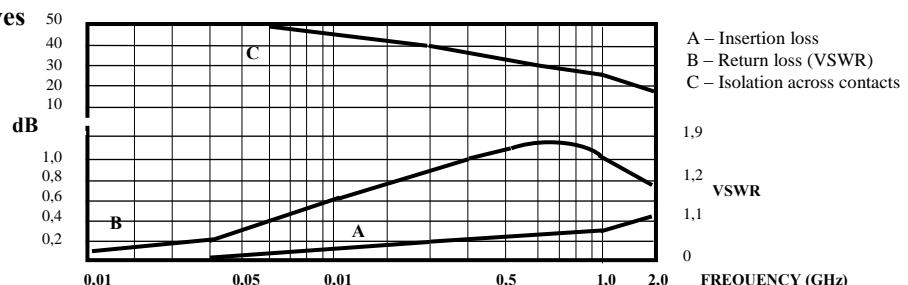


## Electrical Characteristics (over the Temperature range. Unless otherwise noted)

Coil Data	See Typical Characteristics chart		
Contact Rating	Type Load	Contact Load	Cycles min.
(Note: All ratings with grounded case)	Low Level	10 to 50 $\mu$ A / 10 to 50 mV	1.000.000
	Resistive	1 A / 28 Vdc	100.000
		250 mA / 115Vac, 60 and 400 Hz (Case not grounded)	100.000
		100 mA / 115 Vac, 60 and 400 Hz	100.000
	Resistive overload	2 A / 28 Vdc	100
	Inductive	200 mA / 28 Vdc (320 mH)	100.000
Lamp	100 mA / 28 Vdc	100.000	
Contact Resistance	0,1 $\Omega$ max. initial, 0,2 $\Omega$ max. after life		
Operate Time	2,0 ms. max.		
Release Time	1,5 ms. max. Series: IMGA*	4,0 ms. max. Series: IMGA*D, IMGA*DD	
Contact Bounce	1,5 ms. max.		
Contact Stabilisation Time	2,5 ms. max.		
Dielectric Strength	500 Vrms min., 60 Hz, all points at sea level		125 Vrms min., 60 Hz, all points at 70.000 ft.
Insulation Resistance	10.000 M $\Omega$ min. all points at 500 Vdc		
Intercontact Capacitance	0,4 pF typical		
Sensitivity	130 mW at pick-up, 500 mW at nominal rated coil voltage, at 25 °C		
Diode P.I.V.	100 Vdc min. Series: IMGA*D, IMGA*DD		
Negative Coil Transient	1,0 Vdc max. Series: IMGA*D, IMGA*DD		

Figure 1 - Radio Frequency Curves

Note:  
Radio frequency curves are typical characteristics based on factory knowledge. Tests to ensure compliance on RF performance, are not performed.





# 100 GRID TERMINAL RELAY DPDT

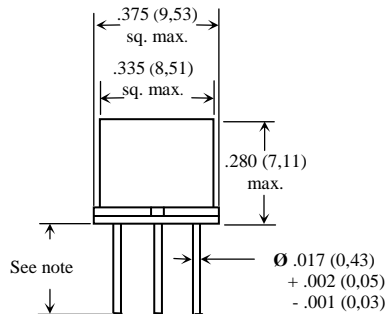
• Basic • Suppression • Suppression/Steering

## Series I MGA

### Typical Characteristics (over the Temperature range. Unless otherwise noted)

Coil Voltage Code	Series Types	Coil Voltage Vdc		Coil Resistance $\Omega$ at 25°C $\pm$ 10%	Coil Current mA, at 25°C		Pick-up Voltage Vdc Max.	Drop-out Voltage Vdc	
		Rated	Max.		Min.	Max.		Max.	Min.
5	IMGA*, IMGA*D	5,0	5,8	50	-	-	3,5	2,3	0,14
	IMGA*DD				93,2	128,2			
6	IMGA*, IMGA*D	6,0	8,0	98	-	-	4,5	3,2	0,18
	IMGA*DD				58,3	78,3			
9	IMGA*, IMGA*D	9,0	12,0	220	-	-	6,8	4,9	0,35
	IMGA*DD				33,0	42,9			
12	IMGA*, IMGA*D	12,0	16,0	390	-	-	9,0	6,5	0,41
	IMGA*DD				25,6	32,8			
18	IMGA*, IMGA*D	18,0	24,0	880	-	-	13,5	10,0	0,59
	IMGA*DD				17,5	22,1			
26	IMGA*, IMGA*D	26,5	32,0	1560	-	-	18,0	13,0	0,89
	IMGA*DD				14,8	18,5			

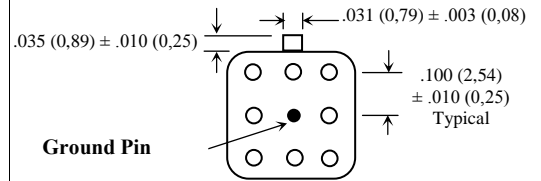
### Outline Dimensions



Note:

- Dimensions are shown in inches (millimetres)
- Terminal Variants: - (C) Wire Terminal = .500 (12,7) min.
- (P) Pin Terminal = .187  $\pm$  .010 (4,75  $\pm$  0,25)

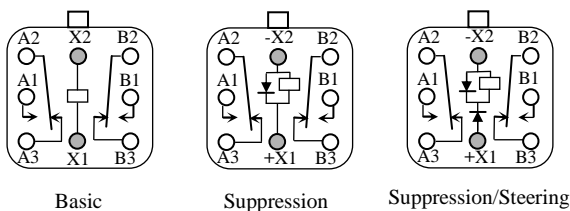
### Terminal Locations



Note:

- Viewed from terminals
- Ground pin is optional
- Dimensions are shown in inches (millimetres)

### Schematic Diagrams

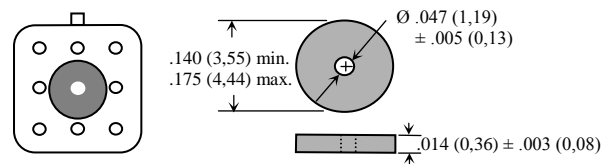


Note:

Schematics are viewed from terminals, numbers are for references only

### Mounting Pad

Relays can be supplied with a mounting pad epoxied to the relay header, to prevent the possible shorting of printed circuit board land lines and to facilitate circuit board cleaning. To order relay with pad add. "W" to Part Number. Example: **IMGACD - 26W**



Note: Dimensions are in inches (millimetres)

Note:

1 " \* " Indicates Terminal Variants: C, P or W

2 Failure Rate (Reliability Level)

Military Suffix	Hi-G Italia Suffix	FR % / 10.000 cycles
L	A	3,0
M	B	1,0

### How to Order. (Part Numbering System)

Series	IMGA	C	D	G	- 26	A	W
C - Wire terminal							Spreader Pad (optional)
P - Pin terminal							Reliability levels A or B (note 2)
W - Long wire terminal							Coil Voltage Code
- Basic							Ground Pin (optional)
D - Diode Suppression							
DD - Suppression/Steering							
T - Transistor Driven							