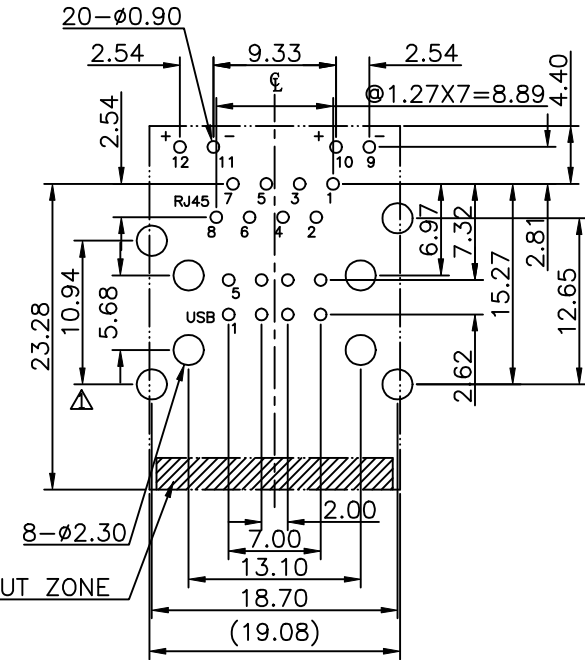
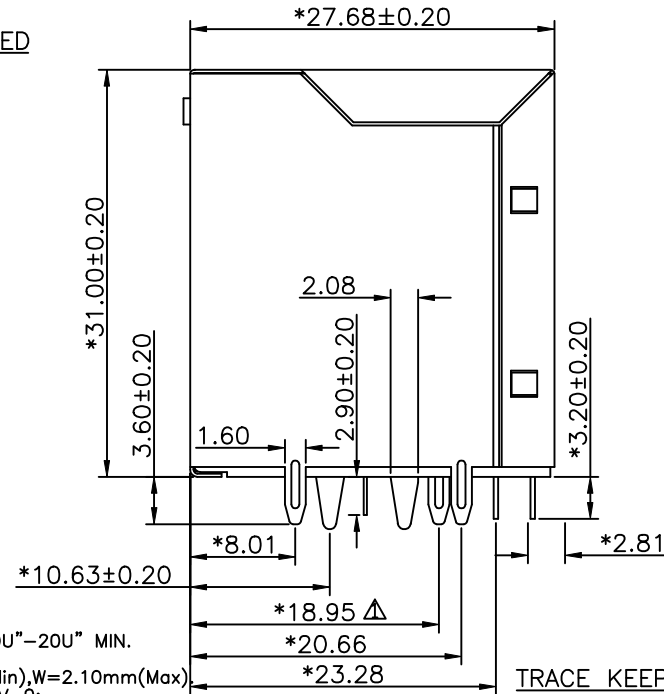
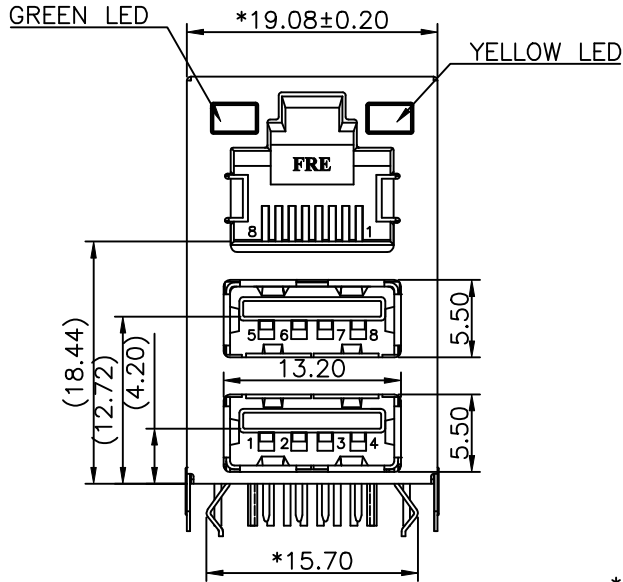


REVISION RECORD				
REV	ECO	DESCRIPTION	DRFT	CHKD
▲	4	MODIFY DRAWING	TERRY	11/09/05



MECHANICAL:

1. SHIELD MATERIAL : CARTRIDGE t=0.25mm.
10u"-20u" THICK NICKEL OVER 10U"-20U" MIN.
THICK NICKEL.
Tinned grounding tab,H=2.00mm(Min),W=2.10mm(Max)
2. HOUSING MATERIAL : PBT+30%GF. THERMOPLASTIC UL94V-0;
3. INSERT MATERIAL : PBT+30%GF. THERMOPLASTIC UL94V-0;
4. CONTACT MATERIAL : PHOSPHORUS BRONZE t=0.35mm. (C5210EH)
5. PLATING : 1. MATING AREA- 3u" MIN. GOLD OVER 30-80u" BRIGHT NICKEL.
▲ 2. SOLDER AREA- 75-300u" TIN OVER 30-80u" NICKEL.
▲ 3. LED PINS AREA- 75-300u" TIN OVER 30-80u" NICKEL.

RJ45 SPECIFICATIONS:

- 1.ELECTRICAL CHARACTERISTICS:
 - 1-1.CURRENT RATING:1.5AMPERES MAXIMUM.
 - 1-2.VOLTAGE RATING:125VAC MAXIMUM.
 - 1-3.INSULATION RESISTANCE:1000 MEGAOHMS MINIMUM @ 500VDC.
 - 1-4.DIELECTRIC STENGTH:1000VAC RMS 60Hz,1MIN.
 - 1-5.LED'S CHARACTERISTICS:
 - 1-5-1.POWER DISSIPATION:80MW MAX.
 - 1-5-2.FORWARD CURRENT:30MA MAX.
 - 1-5-3.FORWARD VOLTAGE:2.2 VOLTS TYPICAL.
 - 1-5-4.REVERSE VOLTAGE:5 OVOLTS MAX.
 - 1-5-5.PEAR EMISSION WAVELENGTH:GREEN LED 568nm TYPICAL.
YELLOW LED 589 nm TYPICAL.

USB SPECIFICATIONS:

- 1.ELECTRICAL CHARACTERISTICS:
 - 1-1.CONTACT CURRENT RATING:1 AMPERS.
 - 1-2.CONTACT RESISTANCE : 30 mOHMS MAX.
 - 1-3.DIELECTRIC WITHSTANDING VOLTAGE:750 VAC RMS 60HZ,1 MIM.
 - 1-4.INSULATION RESISTANCE:1000 MOHMS MIN @500 VDC.
- 2.MECHANICAL CHARCTERISTICS:
 - 2-1.CONTACT MATING FORCE:34.3N(3.5kg) MAX.
 - 2-2.CONNECTOR UNMATING FORCE :9.8N(1.0kg) MIN.
 - 2-3.DURABILITY:1500 CYCLES.
 - 2-4.OPERATING TEMPERATURE:0°C TO +70°C.

2.MECHANICAL CHARCTERISTICS:

- 2-1.MATING/UNMATING FORCE:5 LBS MAXIMUM.
- 2-2.DURABILITY (MATING/UNMATING CYCLES):1000CYCLES.
- 2-3.OPERATING TEMPERATURE:0°C TO +70°C.
STORAGE TEMPERATURE:-40°C TO +85°C.
- 2-4.CONNECTOR TO PCB INSERTION FORCE < 8LBS.
- 2-5.PLUG TO JACK RETENTION:30LBS MIN.

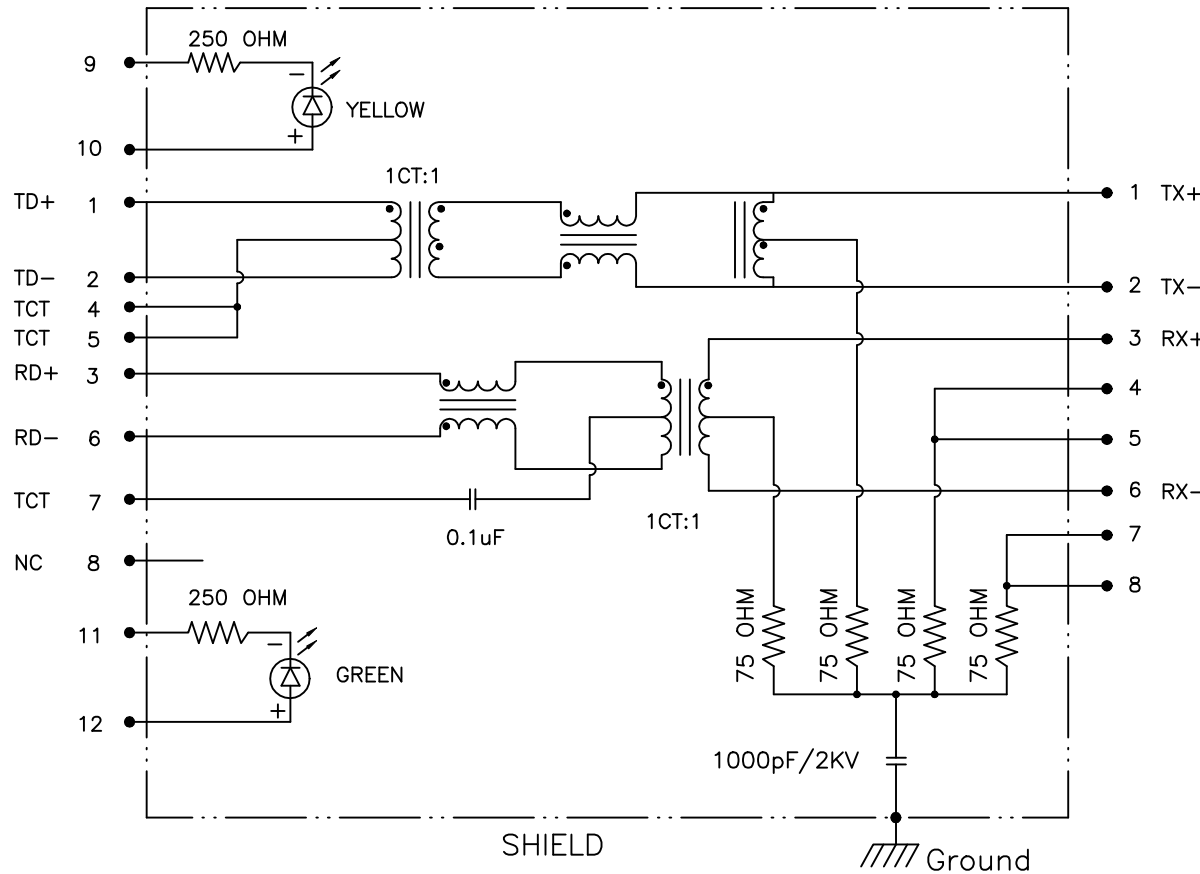
PART NUMBER: E828B-2F02UX

- 2-FRE LOGO
- Gold Plating:
1-3u" 2-6u" 3-15u"
4-30u" 5-50u"

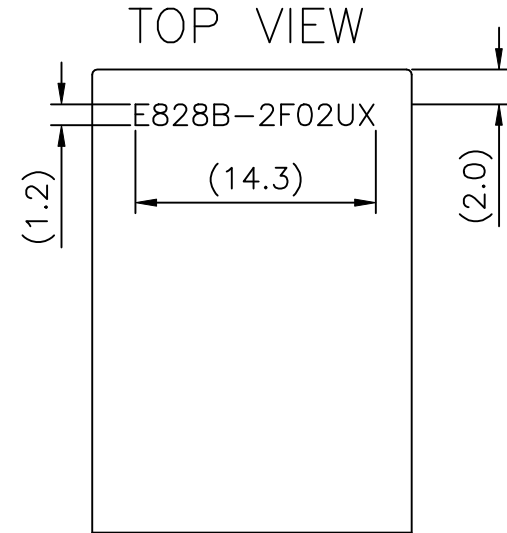
DETACHED LISTS	← MM (INCH) →		DFTO SWEEP	DATE 11/05/05	FULL RISE ELECTRONIC CO., LTD	
	TOLERANCES EXCEPT AS NOTED		CHKDSIX	DATE 2005/11/9		
	MM	±	MFO	DATE	TITLE FOUR IN ONE FOR 8PIN(QY)	
	.0 ±0.20	±	APPVL ARTHUR	DATE 2005/11/9		
.00 ±0.15	±	MATERIAL :		DRAWING NO. GE823093		
.000 ±0.075	±	ANGLES ±		/PART NO. SEE NOTE		
THIRD ANGLE PROJECTION		FINISH :		DO NOT SCALE DRAWING		
		SCALE : 4:1		SHEET 1 OF 2		
				SIZE	REV	
				A3	1	
				11/09/05		

REVISION RECORD				
REV	ECO	DESCRIPTION	DRFT	CHKD
△	4	MODIFY DRAWING	TIRRY 11/09/05	

PC BOARD CONNECTIONS



RJ45 CONNECTOR



NOTE:

- Transmitter filter:
Type: Balance low pass 250 OHM impedance
Insertion loss : 1~65MHz 1.0dB Max.
Return loss : 1~30MHz 18dB Min. load 100 OHM
30~60MHz 16dB Min. load 100 OHM
60~80MHz 12dB Min. load 100 OHM
- Receiver filter:
Type: Balance low pass 250 OHM impedance
Insertion loss : 1~65MHz 1.0dB Max.
Return loss : 1~30MHz 18dB Min. load 100 OHM
30~60MHz 16dB Min. load 100 OHM
60~80MHz 12dB Min. load 100 OHM
- Common Mode Rejection:
@1~100MHz 30dB Min.
- Cross Talk: @1~100MHz 35dB Min.

- Inductance @ 100KHz, 0.1v, 8mA DC BIAS:
Input(1-2), Input(3-6) : 400uH Min.
- Hipot Test:
Input(1-2) to output(1-2) : 1500VAC, 60sec.
Input(3-6) to output(3-6) : 1500VAC, 60sec.

DETACHED LISTS	MM (INCH)		DFTO SWEEP	DATE 11/05/05	FULL RISE ELECTRONIC CO., LTD	
	TOLERANCES EXCEPT AS NOTED		CHKDSIX	DATE 2005/11/9		
			MFO	DATE	TITLE FOUR IN ONE FOR 8PIN(QY)	
			APPVL ARTHUR	DATE 2005/11/9		
		MATERIAL :			DRAWING NO. GE823093	
ANGLES ±		QT'Y :			SIZE	REV
THIRD ANGLE PROJECTION		FINISH :			A3	1
		SCALE : 5:1	DO NOT SCALE DRAWING		SHEET 2 OF 2	