

Tous droits strictement réservés. Reproduction ou communication à des fins interdite sans gréage forme que ce soit sans autorisation écrite du propriétaire. Propriété de A FCI. Droits de reproduction FCI.

A FCI

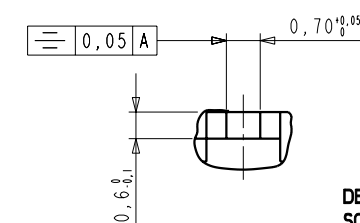
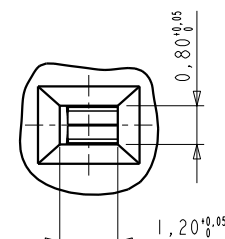
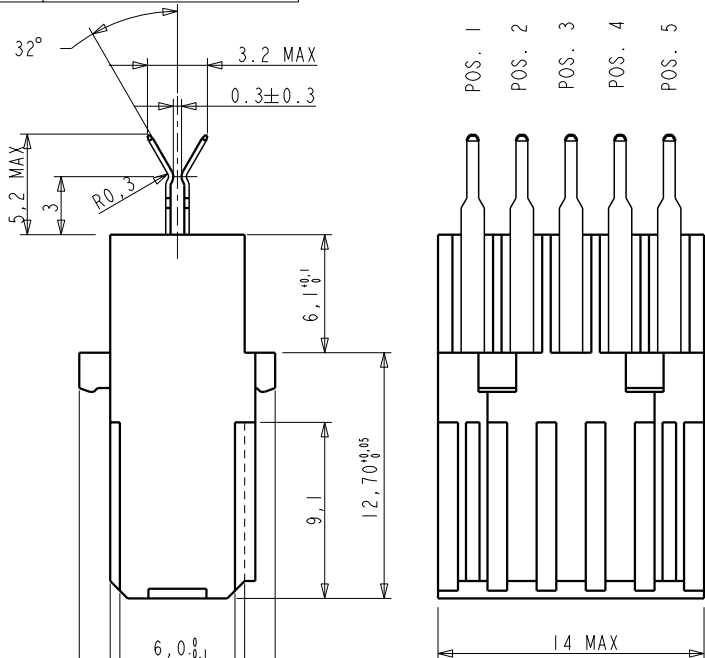
All rights strictly reserved. Reproduction or communication in any form whatsoever is not permitted without written authority from the proprietor. Property of FCI. Copyright FCI.

TIN LEAD P/N	BPS7B10SPW6
LEAD FREE P/N	BPS7B10SPW6LF

POS. PROVIDED WITH CONTACTS	
ROW A	1-2-3-4-5
ROW B	

NOTE: RoHS INFORMATIONS:

- The "LF" product meet European union Directives and other country regulations as described in GS-22-008.
- termination plating spec: 1.27 µm Nickel mini, 2.5 to 7.5 µm Sn (Pure Matte)
- Packaging spec : see GS-14-920



DETAIL X
SCALE 10/1

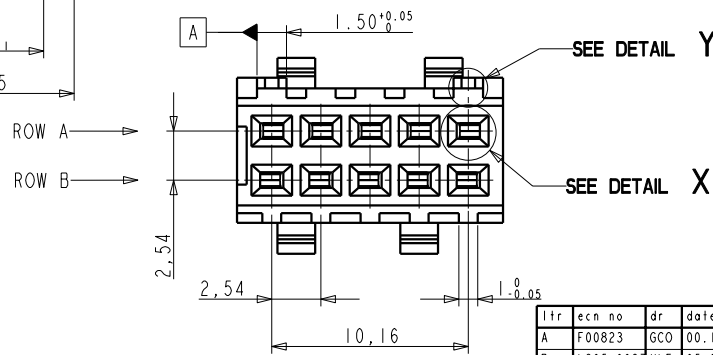
DETAIL Y
SCALE 10/1

PERFORMANCE CHARACTERISTICS:

- * OPERATING T° -40°C TO +125°C.
- * CONTACT RESISTANCE 20 mΩ MAX. AFTER TEST.
- * CURRENT RATING 1.3 A AT 70°C.
- * OPERATING VOLTAGE 250 VAC.
- * WITHSTANDING VOLTAGE 1000 V.
- * INSULATION RESISTANCE 10⁴ MΩ MIN AFTER TEST.

MATERIALS:

- * BODY HOUSING GLASS-FILLED THERMOPLASTIC.
- * CONTACTS PHOSPHOR BRONZE.
- PLATING CONTACT AREA PER ALCATEL SPEC. 1AB 00049 DSZZA
- SOLDER TAILS 5 µ SnPb Min for TIN LEAD VERSION.
- SOLDER TAILS 5 µ Sn Min for LEAD FREE VERSION.



lfr	ecn no	dr	date
A	F00823	GCO	00.12.05
B	LS05-0027	HLE	05-02-23
C	LS05-0029	HLE	05-03-17
-	-	-	-
-	-	-	-
-	-	-	-
-	-	-	-

A FCI	www.fciconnect.com		surface - ✓	tolerance ISO 406	projection	mm
			ISO 1302	ISO 1101		
Dr	G CORBOZ	00.12.05	Product family BPS7		size A3	Scale 4/1
Eng	JF NOTTEAU	00.12.05	Spec ref -			
Chr	-	-	Material SEE NOTES		ECN LS05-0029	
Appr	JF-N	00.12.05				
title ASSY BPS7			dwg no 54726C		Rev. C	
CABLE CONN FOR SUBSTR APPL			catalog no BPS7B10SPW6		CUSTOMER COPY sheet 1 of 1	