



PCIE-064-02-F-D-RA

PCIE-098-02-F-D-EM2

PCIE-036-02-F-D-TH

# PCI EXPRESS® CONNECTOR PCIE SERIES

## SPECIFICATIONS

For complete specifications and recommended PCB layouts see [www.samtec.com?PCI](http://www.samtec.com?PCI)

**Insulator Material:**

Black Nylon

**Contact:**

Phosphor Bronze

**Plating:**

Au or Sn over

50µ" (1,27µm) Ni

**Current Rating:**

Testing Now!

**Operating Temp:**

-55°C to +125°C

**Card Insertion Depth:**

(8,00mm) .315" nominal

**RoHS Compliant:**

Yes

**Processing:**

**Max Processing Temp:**

230°C for 60 seconds

**Lead-Free Solderable:**

Wave only



Mates with:  
.062" (1,60mm) Card



Polarized  
Supports one, four, eight and sixteen PCI Express® links

Alignment pins

Four rows on 2mm pitch

(1,00mm)  
.03937" pitch

Accepts 1,6mm card

Choice of card – edge mount or PCB mount

## APPLICATION SPECIFIC OPTION

Other plating options available.  
Call Samtec.

PCIE

NO. OF POSITIONS

02

PLATING OPTION

D

TAIL OPTION

-036, -064, -098, -164

-F

= Gold flash on contact, Tin on tail

-EM2

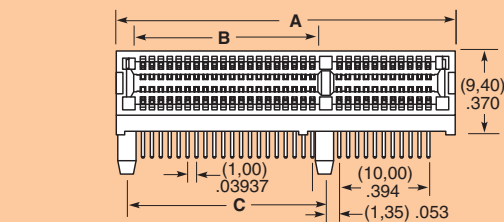
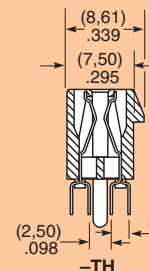
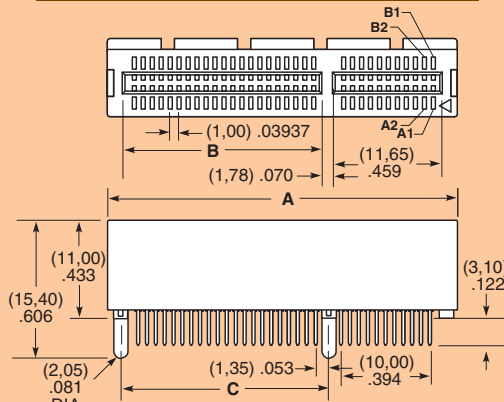
= Edge Mount

-TH

= Through-hole

-RA

= Right Angle



POSITIONS	A	B	C
-036 (X1)	(25,00) .984	(7,65) .301	(9,15) .360
-064 (X4)	(39,00) 1.535	(21,65) .852	(23,15) .911
-098 (X8)	(56,00) 2.205	(38,65) 1.522	(40,15) 1.581
-164 (X16)	(89,00) 3.504	(71,65) 2.821	(73,15) 2.880

PCI Express® is a registered trademark of PCI-SIG

**Note:** Some lengths, styles and options are non-standard, non-returnable.

Due to technical progress, all designs, specifications and components are subject to change without notice.

[WWW.SAMTEC.COM](http://WWW.SAMTEC.COM)