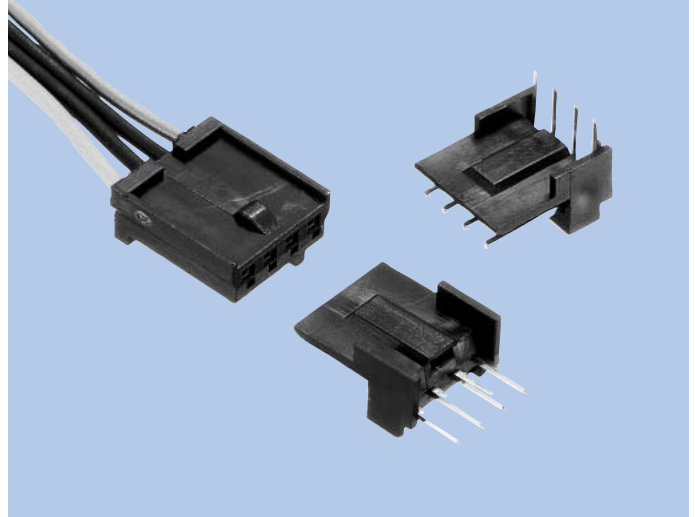


2.5mm Density, Crimp Type 2-Piece Connectors P52, CPM-A11

OUTLINE

P52 Series is 2-piece, type high density connector with the contact space of 2.5mm, having a clamp and polarization device built in.



FEATURES

1. Socket contact is of box type with two point contacts.
2. Plug has both straight and angle types.
The terminals are to be solder dipped to PC board.
The angle type has a guide post to PC board.
3. The polarization is devised in the housing configuration.
4. The applicable wire size is AWG#22~25.
5. The Housing material is PBT resin (UL-94V-0 rated), black Color.
6. Contact point : 4 pins only.
7. Applicable Crimping Machine : Type MCC-7 Semi Automatic.

SPECIFICATIONS

ELECTRICAL CHARACTERISTICS

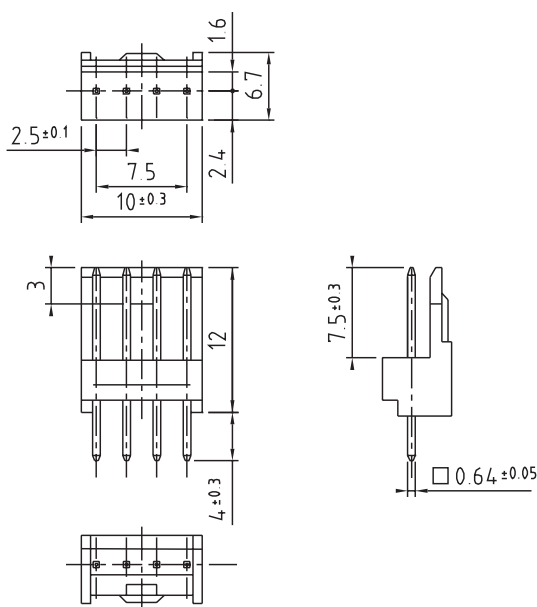
Rated Voltage	500V AC (rms)
Rated Current	3A
Withstanding Voltage	1,000V AC (rms) 1minute
Insulation Resistance	500MΩ min. (at 500V DC)
Contact Resistance	20mΩ max.
Operating Temperature Range	-25~+80°C

MATERIAL & FINISH

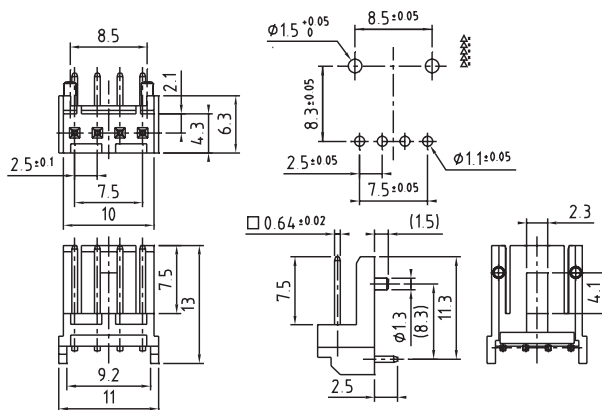
Component Parts	Material	Finish
Housing	PBT resin (UL-94V-0)	(Black)
Socket Contact	Copper Alloy	Tin Reflow Plating
Plug Contact	Copper Alloy	Solder Plating

DIMENSIONS

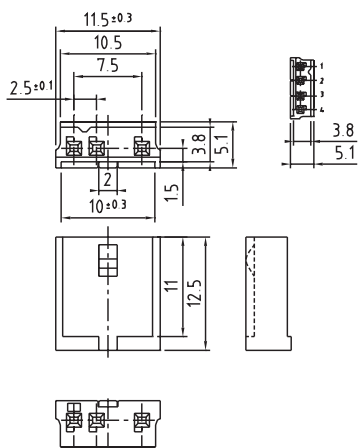
**Straight Type plug
(P52-04-30-114P)**



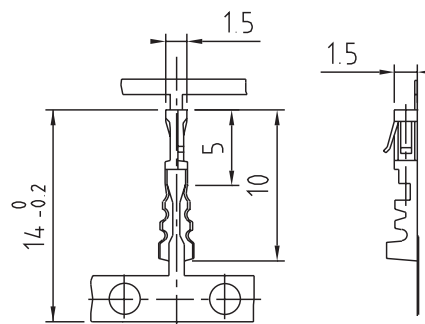
**Angle Type plug
(A11-004-020-HHBA-X)**



**Socket Housing
(P52M83-04)**



**Socket Contact
(P52C84)**



Unit : mm
Tolerance : ±0.2mm