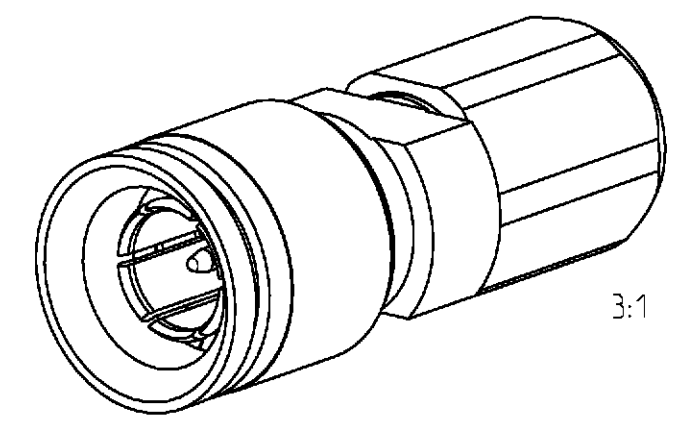
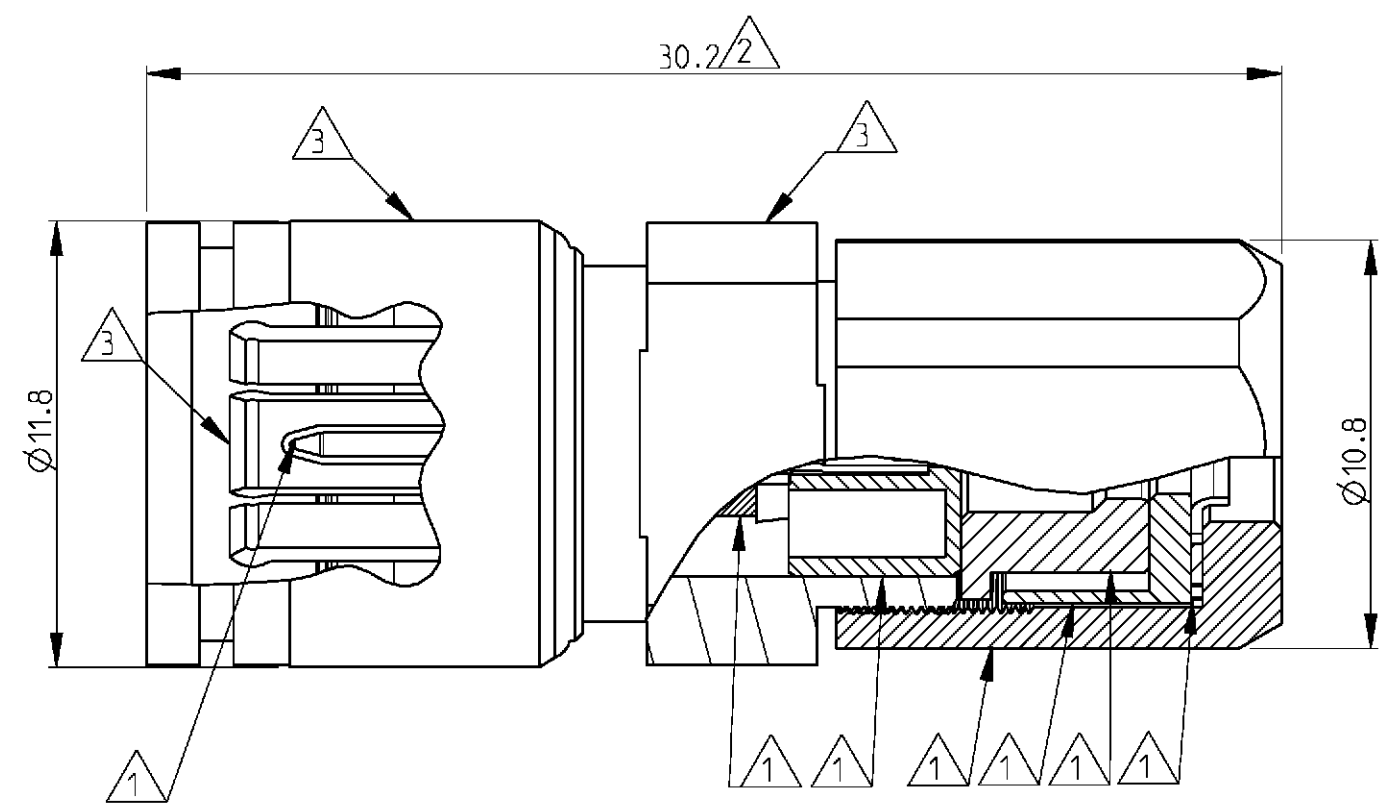


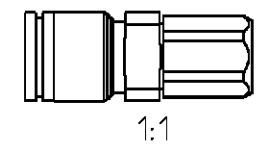
THIS DRAWING IS UNPUBLISHED. RELEASED FOR PUBLICATION 2000  
 © COPYRIGHT 2000 BY TYCO ELECTRONICS CORPORATION. ALL RIGHTS RESERVED.

LOC	DIST	REVISIONS				
P	LTR	DESCRIPTION	DATE	DWN	APVD	
GW	-					
	A	-	05APR2001	BL	KM	



- △6 Packed in tray
  - 5) Mating face according to DIN 47295/CECC 22240.
  - 4) Cable type : 02Y (St) CY 0.45/2.0.
  - △3 Parts are pre-assembled.
  - △2 Dimension when fully constrained.
  - △1 Supplied as loose part.
- All dimensions are maximum unless otherwise specified.

Old part number	Tyco part number	Description	Material	Plating
V23612-A103-P76A	1393681-9	Outer conductor	CuBe	1 µm Au min in contact area
△6	△6	Center conductor	CuSn6/CuBe	1 µm Au min in contact area
		Dielectric	PEEK	-
V23612-A103-P76	1393681-8	Outer conductor	CuBe	1 µm Au min in contact area
		Center conductor	CuSn6/CuBe	1 µm Au min in contact area
		Dielectric	PEEK	-



<small>THIS DRAWING IS A CONTROLLED DOCUMENT FOR TYCO ELECTRONICS CORPORATION. IT IS SUBJECT TO CHANGE AND THE CONTROLLING ENGINEERING ORGANIZATION SHOULD BE CONTACTED FOR THE LATEST REVISION.</small>		DWN 06MAR2001 B. Lenvain		Tyco Electronics Oostkamp - Belgium	
DIMENSIONS: mm		TOLERANCES UNLESS OTHERWISE SPECIFIED:		NAME Cable plug with snap on coupling 1.6/5.6 75 ohm	
		0 PLC ± 1 PLC ± 2 PLC ± 3 PLC ± 4 PLC ± ANGLES ±		PRODUCT SPEC - APPLICATION SPEC 114-71017	
MATERIAL -		FINISH -		WEIGHT - SIZE A3 CAGE CODE 00779 DRAWING NO. ©-1393681-8	
CUSTOMER DRAWING				RESTRICTED TO -	
SCALE 5/1				SHEET 1 OF 1 REV A	