






Control Circuits Connectors – Type SK Ordering Information and Specifications

Indoor, NEMA1, 20 Amp Load Breaking
250 Volts DC, 600 Volts AC (Max Rating)

Poles/ Wires	Standard Service		Reverse Service		Connector	
	 Female Receptacle Style SKR	 Male Plug Style SKP	 Male Receptacle Style SKRR	 Connector*/ Female Plug Style SKCU	 Female Connector Style SKC	Cable Bushing Hole ID
2P3W	SKR3G	SKP3G	SKRR3G	SKCU3G	SKC3G	5/8"
3P4W	SKR4G	SKP4G	SKRR4G	SKCU4G	SKC4G	5/8"
4P5W	SKR5G	SKP5G	SKRR5G	SKCU5G	SKC5G	3/4"
5P6W	SKR6G	SKP6G	SKRR6G	SKCU6G	SKC6G	3/4"
6P7W	SKR7G	SKP7G	SKRR7G	SKCU7G	SKC7G	3/4"
7P8W	SKR8G	SKP8G	SKRR8G	SKCU8G	SKC8G	7/8"
8P9W	SKR9G	SKP9G	SKRR9G	SKCU9G	SKC9G	7/8"
9P10W	SKR10G	SKP10G	SKRR10G	SKCU10G	SKC10G	1"
10P11W	SKR11G	SKP11G	SKRR11G	SKCU11G	SKC11G	1"
11P12W	SKR12XG	SKP12XG	SKRR12XG	SKCU12XG	SKC12XG	1"

* **Connectors** – Both SKCU and SKC connectors will mate with standard service SKP plugs. SKC devices offer external shroud protection for female contacts. Both devices will lock with plug.

Note: Conduit Fittings: Plugs and connectors can be furnished with adapters to accommodate rigid conduit or standard connectors for armored and non-metallic cable or flexible conduit. See page 123. **Special Construction:** Press Control Lockout Dummy, Cat. #SKPD-

Specifications

Receptacle Housing – Furnished with neoprene gasket and 6-32 mounting screws.

Type SKWR – Cast aluminum, corrosion-resistant copper free alloy.

Style SKR - heavy gauge steel, plated

Plug Housing

Type SKP – Steel, zinc plated with heavy cast aluminum alloy cable clamp and cable bushing.

Type SKWP – Cast aluminum, corrosion-resistant, copper-free alloy, epoxy powder coat finish. Furnished with heavy cast cable clamp and cable bushing.

Connector Housing – Cast aluminum, corrosion-resistant, copper-free alloy, epoxy powder coat finish. Furnished with heavy cast cable clamp and cable bushing.

Conduit Boxes – cast boxes for above receptacles are listed on page 101. Type SK receptacles require FD series or DSFD box. Can be furnished with single gang outlet box at additional cost. When required, add suffix catalog number of box to catalog number of receptacle.

Cable Bushing – oil resistant, neoprene strain relief cable bushing regularly furnished with hole size as listed. Other hole sizes available at no extra cost if specified on order. See page 121 for additional sizes.

Interiors – contacts are removable and have pressure type terminals for 12 AWG wire maximum conductors.

Insulating Bodies – arc and impact-resisting mold composition.

Contacts – silver plated with fully insulated pressure screw-type terminals.

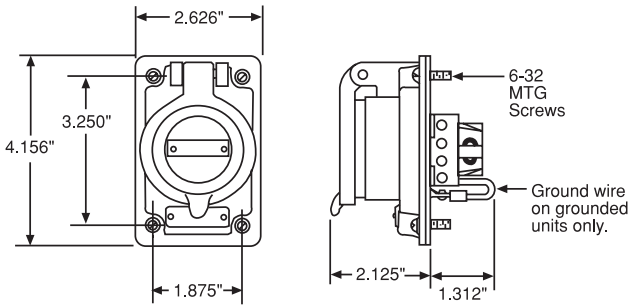
Repair Kits – Pins/Sleeves Repair – components for rebuild of 2-4 interiors

Male Devices Cat. No. SKX12MS

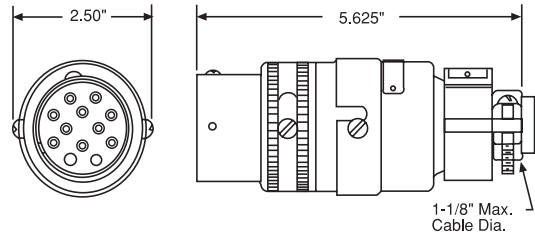
Female Devices Cat. No. SKX12FA

Standard Service

Female Receptacle – Style SKR



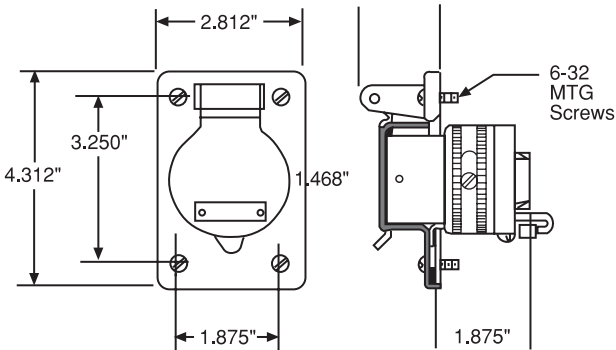
Male Plug – Style SKP



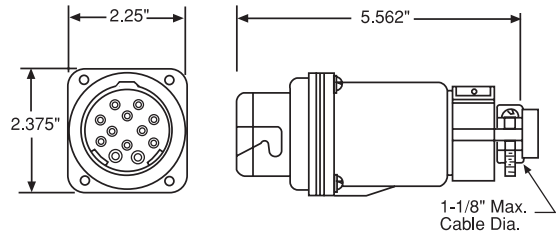
Note: All require FD or DSFD series box mounting.

Reverse Service

Male Receptacle – Style SKRR



Female Plug – Style SKCU (Non-shrouded connection)



Connector

Female Connector – Style SKC (shrouded style)

