

SPECIFICATIONS

BreakaWay Header

HB11 Series
T/H Type
2.54mm [.100"] Pitch

Mechanical

Contact Retention Force: 0.91g min.

Electrical

Current Rating: 3.0A per pin min.

Dielectric Withstanding Voltage: 500V AC

Insulation Resistance: 1000MW min

Physical

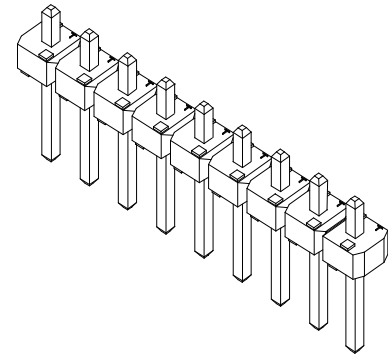
Housing: Nylon 6.6, Glass Filled, UL94V-0, Color Black

Contact: Copper Alloy

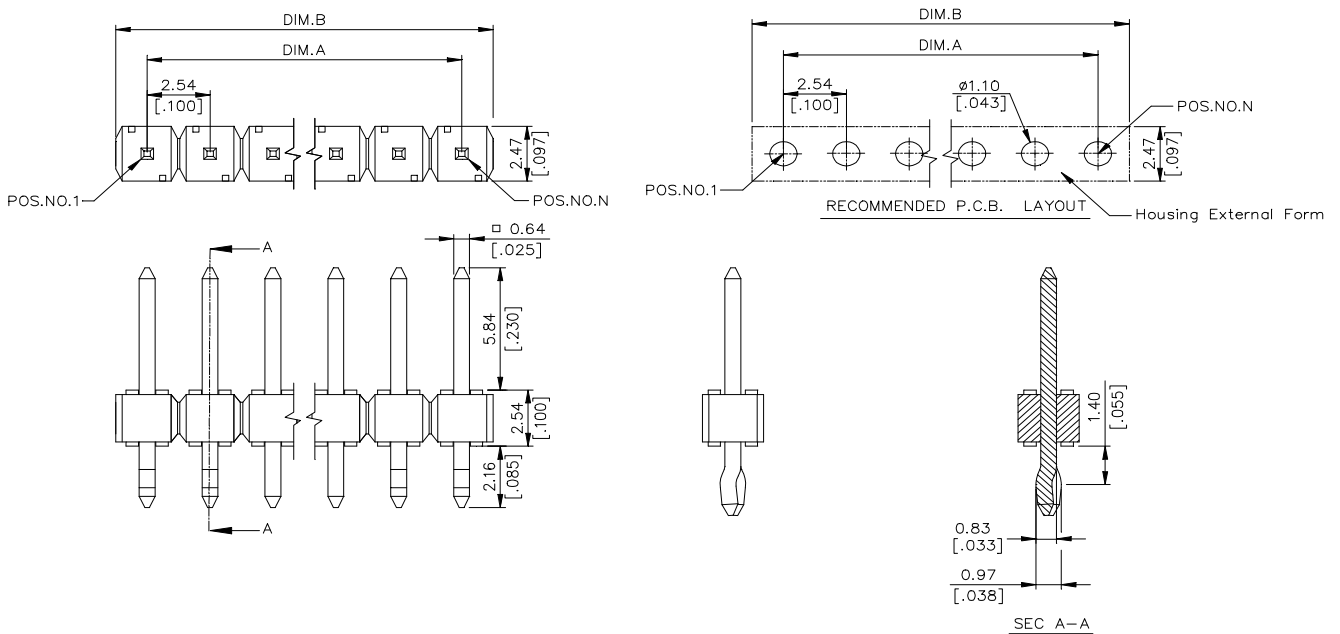
Plating: See "ORDERING INFORMATION"

Solder Pad: Copper Alloy

Operating Temperature: -40 to +105



DRAWING



ORDERING INFORMATION

PRODUCT NO.: HB 1 1 * * * - * * * *

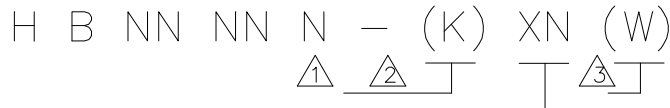
Breakaway Header Series
 Termination & Contact Type
 No. Of Pos
 1=1 Pos
 2=2 Pos
 .
 .
 40=40 Pos
 Optional For Plating
 See DWG. 307-0000-210

Position Omitted
 See DWG. 307-0000-210
 Optional For Housing Color
 See DWG. 307-0000-210
 Optional For Kinks
 See DWG. 307-0000-210

ORDERING INFORMATION

HB1120*-****	20	45.72 [1.900]	50.55 [1.990]
HB1119*-****	19	45.72 [1.800]	48.01 [1.890]
HB1118*-****	18	43.18 [1.700]	45.47 [1.790]
HB1117*-****	17	40.64 [1.600]	42.93 [1.690]
HB1116*-****	16	38.10 [1.500]	40.39 [1.590]
HB1115*-****	15	35.46 [1.400]	37.85 [1.490]
HB1114*-****	14	33.02 [1.300]	35.31 [1.390]
HB1113*-****	13	30.48 [1.200]	32.77 [1.290]
HB1112*-****	12	27.94 [1.100]	30.23 [1.190]
HB1111*-****	11	25.40 [1.000]	27.69 [1.090]
HB1110*-****	10	22.86 [.900]	25.15 [.990]
HB1109*-****	9	20.32 [.800]	22.61 [.890]
HB1108*-****	8	17.78 [.700]	20.07 [.790]
HB1107*-****	7	15.24 [.600]	17.53 [.690]
HB1106*-****	6	12.70 [.500]	14.99 [.590]
HB1105*-****	5	10.16 [.400]	12.45 [.490]
HB1104*-****	4	7.62 [.300]	9.91 [.390]
HB1103*-****	3	5.08 [.200]	7.37 [.290]
HB1102*-****	2	2.54 [.100]	4.83 [.190]
HB1101*-****	1	0.00 [0.00]	2.29 [.090]
P/N	POS.	DIM. A	DIM. B

HB1140*-****	40	99.06 [3.900]	101.35 [3.990]
HB1139*-****	39	96.52 [3.800]	98.81 [3.890]
HB1138*-****	38	93.98 [3.700]	96.27 [3.790]
HB1137*-****	37	91.44 [3.600]	93.73 [3.690]
HB1136*-****	36	88.90 [3.500]	91.19 [3.590]
HB1135*-****	35	86.36 [3.400]	88.65 [3.490]
HB1134*-****	34	83.82 [3.300]	86.11 [3.390]
HB1133*-****	33	81.28 [3.200]	83.57 [3.290]
HB1132*-****	32	78.74 [3.100]	81.03 [3.190]
HB1131*-****	31	76.20 [3.000]	25.15 [3.090]
HB1130*-****	30	73.66 [2.900]	37.85 [2.990]
HB1129*-****	29	71.12 [2.800]	35.31 [2.890]
HB1128*-****	28	68.58 [2.700]	32.77 [2.790]
HB1127*-****	27	66.04 [2.600]	30.23 [2.690]
HB1126*-****	26	63.50 [2.500]	27.69 [2.590]
HB1125*-****	25	58.42 [2.400]	63.25 [2.490]
HB1124*-****	24	55.88 [2.300]	60.71 [2.390]
HB1123*-****	23	53.34 [2.200]	58.17 [2.290]
HB1122*-****	22	50.80 [2.100]	55.63 [2.190]
HB1121*-****	21	48.26 [2.000]	53.09 [2.090]
P/N	POS.	DIM. A	DIM. B



CODE	DESCRIPTION
K0	ALL PINS WITH KINK.
K3	SAME AS REMARK Δ
B8	5th & 12th & 14th & 25th PINS OMITTED.
B9	2nd & 4th & 7th PINS OMITTED.
D0	
D1	2nd & FINAL 2nd PINS OMITTED.
D2	20th POSITION OMITTED.
D3	4th & 21st POSITION OMITTED.
D4	8th POSITION OMITTED.
D5	3rd POSITION OMITTED.
D6	2nd, 4th, 6th & 10th POSITION OMITTED.
D7	4th, 8th, 12th, 16th, 20th, & 24th POSITION OMITTED.
D8	3rd,4th,6th,9th,13th & 15th POSITION OMITTED.
D9	3rd & 4th POSITION OMITTED.
P0	4th POSITION OMITTED.
P1	6th POSITION OMITTED.
P2	9th & 10th POSITION OMITTED.
P3	2nd POSITION OMITTED.
P4	5th POSITION OMITTED.
P5	10th POSITION OMITTED.
P6	2nd, 6th, 9th & 11th POSITION OMITTED.
P7	3rd, 5th, 8th POSITION OMITTED.
P8	7th POSITION OMITTED.
P9	9th POSITION OMITTED.
T0	2nd, 9th, 11th, 14th, 17th, 20th,21st & 23rd POSI. OMITTED.
T1	1st & END PINS WITH KINK, 2nd POSITION OMITTED.
T2	ALL PINS WITH KINK, 3rd & 4th POSITION OMITTED.
T3	ALL PINS WITH KINK, 5th & 6th POSITION OMITTED.
T4	2nd, 9th, 11th, 14th, 17th, 20th & 22nd POSITION OMITTED.
T5	3rd, 4th, 13rd & 14th POSITION OMITTED.
T6	2nd,3rd,5th,9th,11th,14th,17th,20th & 22nd POSITION OMITTED.
T7	3rd,4th,6th,9th,13th,15th & 16th POSITION OMITTED.
T8	2nd & 3rd POSITION OMITTED.
T9	3rd,5th,9th,13th & 15th POSITION OMITTED.
U0	4th, 8th & 12th POSITION OMITTED.
U1	3rd & 5th POSITION OMITTED
U2	3rd, 5th & 9th POSITION OMITTED
U3	3rd,4th,6th,9th & 15th POSITION OMITTED.
U4	3rd,7th,9th,11th,14th,16th,20th & 22nd POSITION OMITTED.
U5	3rd,5th,9th,13th & 16th POSITION OMITTED.
U6	2nd,9th,11th,17th,20th,22nd & 24th POSITION OMITTED.
U7	5th,7th,12th,14th,17th,19th,21st & 25th POSITION OMITTED.
U8	2nd,5th,8th & 10th POSITION OMITTED.
U9	4th & 8th POSITION OMITTED.
L0	3rd,5th,9th,13th & 15th POSITION OMITTED.
L1	5th,9th & 12th POSITION OMITTED.
L2	2nd,9th,10th,11th,12th,15th & 17 POS. OMITTED.
L3	2nd,5th & 17th POSITION OMITTED.
L4	5th,7th,11th,13th,16th,20th & 24th POS. OMITTED.
L5	4th,9th,16th & 19th POS. OMITTED.
L6	4th & 9th POSITION OMITTED.
L8	5th,7th & 15th POSITION OMITTED.
L9	12th POSITION OMITTED.

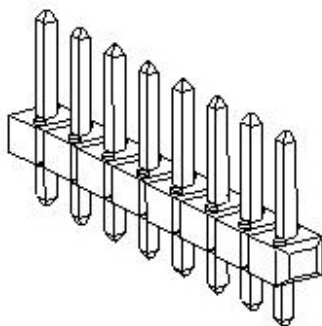
Remark:

- Δ Optional For Plating
 - 0=100u" Tin/Lead over All
 - 1=Gold Flash over All
 - 7=15u" Gold on Contact Area
 - C=3u" Gold on Contact Area
 - G=Gold Flash on Contact Area
 - E=100u" min. Tin with Lead Free
 - "RoHS COMPLAINCE"
 - F=Gold Flash with Lead Free
 - "RoHS COMPLAINCE"
 - V=15u" Gold with Lead Free
 - "RoHS COMPLAINCE"
 - U=Gold flash on Contact Area with Lead Free "RoHS COMPLAINCE"
- Δ Optional for Kinks.
 - K = The 1st, 2nd, N & N-1, 4 Pieces of terminals are kinked.
- Δ Optional for housing Color.
 - None: Standard product (color black)
 - W: color Ivory

- Products
- News
- Sales
- Technical
- Jobs
- About Foxconn

Wire-to-Board Connector -> Header

Breakaway Header: **HB1108H-P4**



Breakaway Header Single Row 8Pos 2.54mm V/T Through Hole color Black



Feature	Attribute
Number of Positions:	8
PCB Mount Style:	V/T Through Hole
Contact Materials:	BRASS
Plating:	30u" Au
Housing Material:	Thermoplastic
Color:	Black
Number Row:	Single Row
Pitch:	2.54
Tail Length:	2.79
Mating Length:	5.84
housingHeight:	2.54
Available Status:	Active
RoHS Status:	RoHS-6 compliant
Business Unit:	HSDI
Lead-Time (Week):	4
MOQ (pc):	6000

Notice: Please confirm part availability with your local account manager.

Quick Search

Search By

- Part Number
- Product Type
- Industry
- Alphabetical

Part Number

- Enter Part Number

Starts With

Contains

Exact Match

