

REFERENCE SPECIFICATIONS

-NFC 93425 (in compliance with HE 501)

PHYSICAL CHARACTERISTICS

-INSULATOR MATERIAL: THERMOPLASTIC UL94V0  
 -CONTACT MATERIAL: BRASS

-ACCESSORIES: BRASS  
 -SHELLS: STEEL

ELECTRICAL CHARACTERISTICS

-NOMINAL CURRENT: 7.5A  
 -CONTACT RESISTANCE: <= 7.3 m ohms  
 -CONTACT/CONTACT : >=1000 V  
 -CONTACT/GROUND : >=1200 V  
 -INSULATION RESISTANCE: >=5000 MOhms

ENVIRONMENTAL CHARACTERISTICS

- CLIMATIC CATEGORY: 55/125/56  
 TEMPERATURE RANGE -55°C TO +125°C  
 DAMP HEAT STEADY STATE 56 DAYS  
 SALT SPRAY 48 HOURS

MECHANICAL CHARACTERISTICS

- RETENTION AGAINST TORQUE: - Threaded insert: 0.7 N.m minimum  
 - Female screw : 0.5 N.m minimum

NOTE RoHS INFORMATION

- The "LF" products meet european union Directives and other country regulations as described in GS-22-008.
- Termination plating spec:  
Gold over NICKEL
- Active area plating spec:  
Gold over NICKEL
- Shell plating :Bright pure tin white or transparent color
- Accessories:Bright pure tin white or transparent color
- Packaging spec: See GS-14-920

# DBML25P400LF

Series

Shell size: **E A B C D**  
see sheet 2

Front accessory definition  
see sheet 2

- Blank** :without accessory
- F** :floating mounting
- L** :threaded insert M3
- O** :threaded insert UNC 4-40
- V** :female screw UNC 4-40

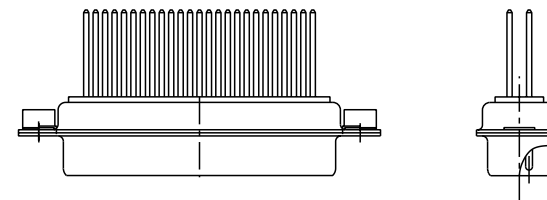
See note RoHS

Contact number (see sheet 2)  
**9,15,25,37,50**

Contacts  
**P** :Pin

Termination type  
**4** 3 level wire wrap contact

Plating  
**00** : 500 matings/unmatings  
**43** : 500 matings/unmatings for harsh environment



25 WAY for Example

rev	ecn no	dr	date
A	LS06-0008	MPE	2006/01/16
B	LS07-0235	MPE	2007/09/13
C	LS07-0273	MPE	2007/10/29
-	-	-	-
-	-	-	-
-	-	-	-

www.fciconnect.com		surface	ISO 1302	tolerance std	ISO 406	ISO 1101	projection	mm
		TOLERANCES UNLESS OTHERWISE SPECIFIED			0.X	±0.3	size	Scale
		ANGULAR	LINEAR	0.xx	±0.1	A2	2:1	
		Ø	±2°	0.xxx	±0.05	ECN	LS07-0273	
		Product family				Spec ref		
Dr M PESSON		11/10/05		SUB MALE DM HE501 series		C01-8637-1678		Rev. C
Chr P LEGARE				with 3 level wire wrap contact		CUSTOMER		sheet 1 of 4
Appr				catalog no				

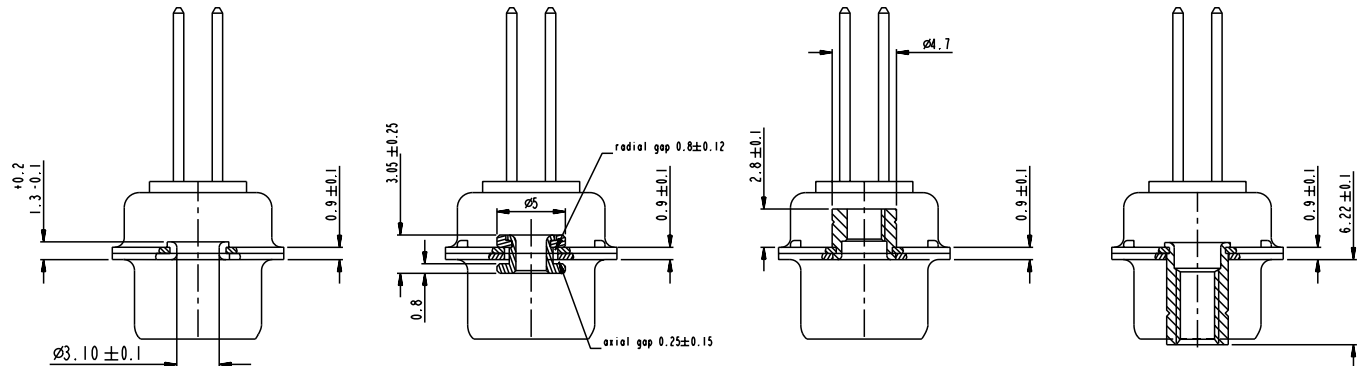
Copyright FCI, FCI

1 2 3 4 5 6 7 8

A

B

C



FRONT ACCESSORY	Blank without	F floating mounting	L insert M3 O insert UNC 4.40	V female screw UNC 4.40
-----------------	---------------	---------------------	----------------------------------	-------------------------

PART NUMBER	FRONT ACCESSORY
D*MxxP443LF	without
D*MFxxP443LF	floating mounting
D*MLxxP443LF	insert M3
D*MOxxP443LF	insert UNC 4.40
D*MVxxP443LF	female screw UNC 4.40

shell size *	Contact number XX
E	09
A	15
B	25
C	37
D	50

PART NUMBER	FRONT ACCESSORY
D*MxxP400LF	without
D*MFxxP400LF	floating mounting
D*MLxxP400LF	insert M3
D*MOxxP400LF	insert UNC 4.40
D*MVxxP400LF	female screw UNC 4.40

CROSS REFERENCES HE501 and FCI

HE501 P/N	FCI P/N	FRONT ACCESSORY
HE501NxxKP3	D*MxxP400LF	without
HE501FxxKP3	D*MFxxP400LF	floating mounting

Copyright FCI, FCI

www.fciconnect.com		surface ISO 1302	tolerance std ISO 406 ISO 1101	projection	mm
		TOLERANCES UNLESS OTHERWISE SPECIFIED			
Dr M PESSON	11/10/05	ANGULAR	0.X ±0.3	size A2	Scale 2:1
Eng 11/10/05	P LEGARE	LINEAR	0.XX ±0.1	ECN	LS07-0273
Chr		0° ±2°	0.XXX ±0.05	Product family	Spec ref
Appr		SUB MALE DM HE501 series with 3 level wire wrap contact		ang no C01-8637-1678	Rev. C
		catalog no	CUSTOMER	sheet 2 of 4	

SCALE: 4

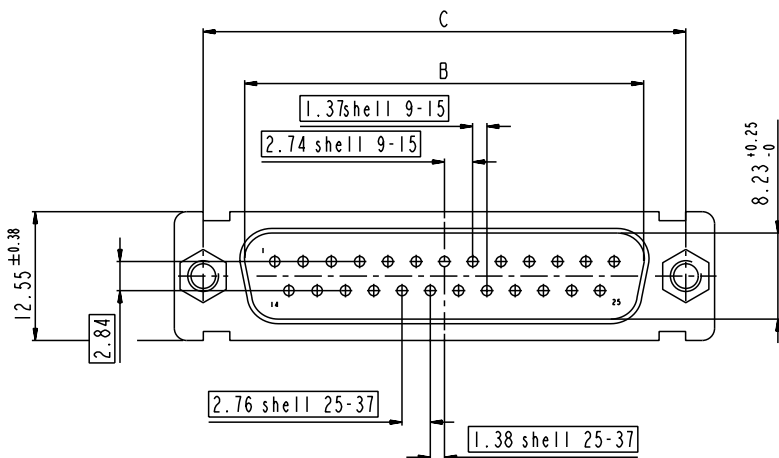
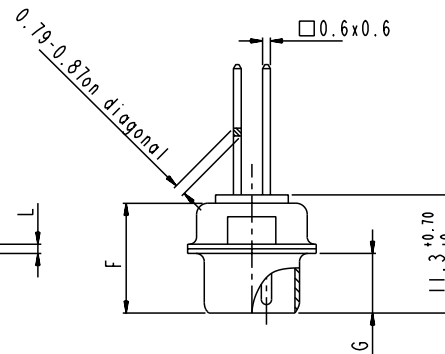
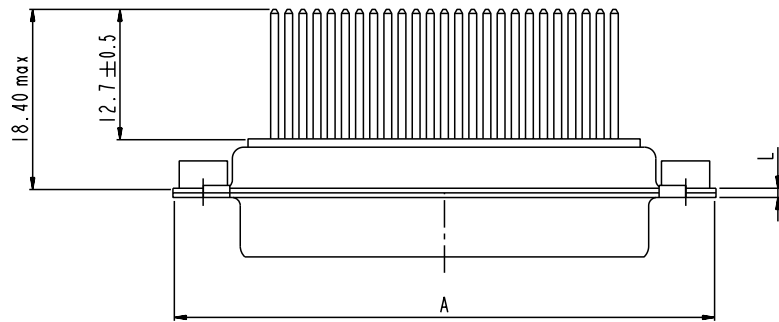
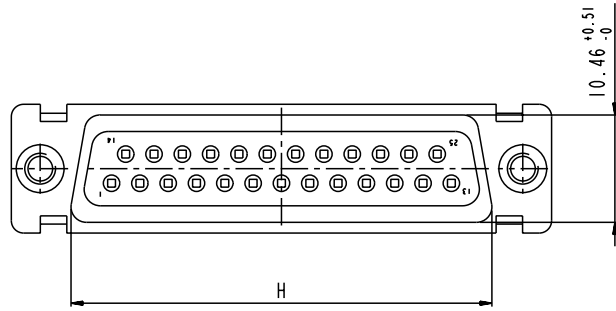
REV 7 - 2008-04-17

1 2 3 4 5 6 7 8

# DIMENSIONS FOR SHELL E,A,B,C

Dimensions are in millimeters

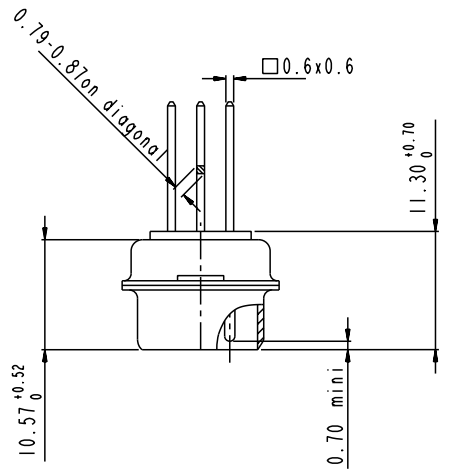
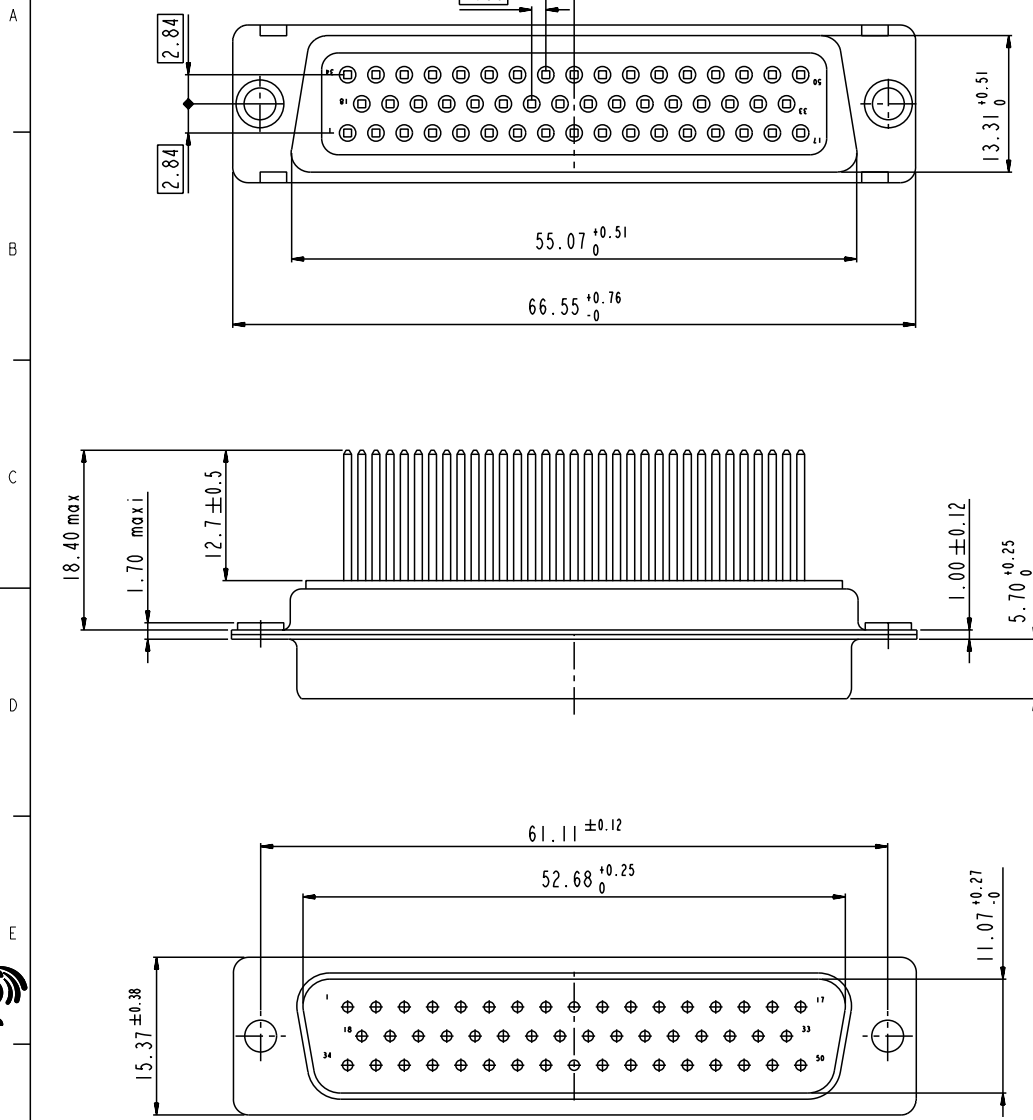
Shell size	Number of contacts	A <sup>+0.76</sup> <sub>-0</sub>	B <sup>+0.25</sup> <sub>-0</sub>	C ±0.12	F <sup>+0.57</sup> <sub>-0</sub>	G <sup>+0.25</sup> <sub>-0</sub>	H <sup>+0.51</sup> <sub>-0</sub>	L <sup>+0.22</sup> <sub>-0</sub>
E	09	30.43	16.79	24.99	10.47	5.9 <sup>+0.15</sup> <sub>-0</sub>	19.02	0.80
A	15	38.76	25.12	33.32	10.47	5.9 <sup>+0.15</sup> <sub>-0</sub>	27.25	0.80
B	25	52.65	38.84	47.04	10.43	5.7 <sup>+0.25</sup> <sub>-0</sub>	41.02	0.80
C	37	68.94	55.30	63.50	10.56	5.7 <sup>+0.25</sup> <sub>-0</sub>	57.45	0.90



Copyright FCJ

www.fciconnect.com		surface ISO 1302	tolerance std ISO 406 ISO 1101	projection	mm
		TOLERANCES UNLESS OTHERWISE SPECIFIED			
Dr M PESSON	11/10/05	ANGULAR	0.X ±0.3	size A2	Scale 2:1
Eng 11/10/05	P LEGARE	LINEAR	0.XX ±0.1	ECN	LS07-0273
Chr		0° ±2°	0.XXX ±0.05	Spec ref	
Product family					
SUB MALE DM HE501 series		ang no	C01-8637-1678		Rev. C
with 3 level wire wrap contact		catalog no	CUSTOMER		sheet 3 of 4

DIMENSIONS FOR SHELL SIZE D (50 CONTACTS)



Copyright FCI. **FCI**

www.fciconnect.com		surface ISO 1302	tolerance std ISO 406 ISO 1101	projection mm
		TOLERANCES UNLESS OTHERWISE SPECIFIED		
Dr M PESSON	11/10/05	ANGULAR	0.X ±0.3	size A2
Eng 11/10/05	P LEGARE	LINEAR	0.XX ±0.1	Scale 2:1
Chr		0° ±2°	0.XXX ±0.05	ECN LS07-0273
Appr		Product family	-	Spec ref
<b>FCI</b>		SUB MALE DM HE501 series		Rev. C
with 3 level wire wrap contact		cat no	C01-8637-1678	C
CUSTOMER		sheet 4 of 4		