



ALUMINUM ELECTROLYTIC CAPACITORS

85°C Very Large Capacitance, Screw Terminal Type, Very Small Type

CWP SERIES (85°C)



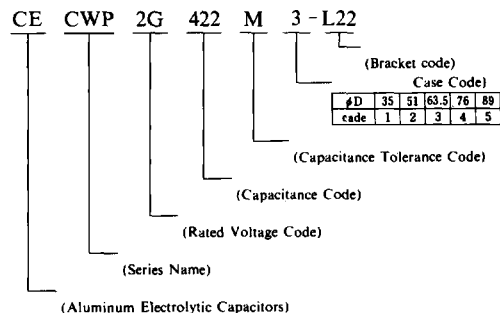
Specifications

Operating temperature range : -25~+85°C
 Capacitance tolerance : M(±20%)
 Leakage current : ≤0.01CV(μA) or 5mA
 Whichever is smaller

Features

85°C, 2,000hrs.
 Large capacitance in small size, smaller than BWP series.
 High ripple current capability.
 Suitable for inverter.

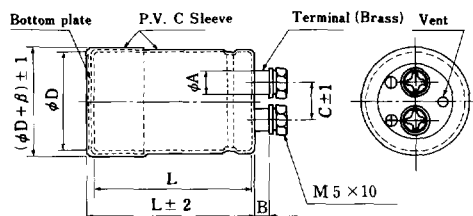
Part numbering system



CWP Series standard Ratings (φD×Lmm) and Max. ripple current (Arms, 120Hz)

Vdc(code) μF (code)	350V (2 V)			400V (2 G)			450V (2 W)		
	Size φD×L	Ir(A)		Size φD×L	Ir(A)		Size φD×L	Ir(A)	
		40°C	85°C		40°C	85°C		40°C	85°C
270 (271)							35 × 50	4.3	1.6
330 (331)				35 × 50	4.8	1.8	35 × 60	5.1	1.9
390 (391)	35 × 50	5.4	2.0	35 × 60	5.6	2.1	35 × 70	5.9	2.2
470 (471)	35 × 50	5.9	2.2	35 × 60	6.2	2.3	35 × 70	6.7	2.5
560 (561)	35 × 60	7.0	2.6	35 × 70	7.2	2.7	35 × 90	8.3	3.1
680 (681)	35 × 70	8.1	3.0	35 × 80	8.6	3.2	35 × 100	9.4	3.5
820 (821)	35 × 80	9.4	3.5	35 × 90	9.9	3.7	35 × 110	10.8	4.0
1,000 (102)	35 × 100	11.6	4.3	35 × 110	11.8	4.4	51 × 70	10.8	4.0
1,200 (122)	35 × 110	13.2	4.9	51 × 70	12.9	4.8	51 × 80	11.6	4.3
1,500 (152)	51 × 70	14.5	5.4	51 × 80	15.3	5.7	51 × 100	13.5	5.0
1,800 (182)	51 × 80	16.7	6.2	51 × 90	17.5	6.5	51 × 110	16.7	6.2
2,200 (222)	51 × 90	19.4	7.2	51 × 110	21.0	7.8	63.5 × 80	18.3	6.8
2,700 (272)	51 × 120	24.5	9.1	63.5 × 80	20.2	7.5	63.5 × 90	21.0	7.8
3,300 (332)	63.5 × 80	22.1	8.2	51 × 130	25.1	9.3	63.5 × 110	25.3	9.4
3,900 (392)	51 × 130	27.5	10.2	63.5 × 90	23.2	8.6	76 × 90	25.3	9.4
4,700 (472)	63.5 × 90	25.3	9.4	63.5 × 110	28.0	10.4	63.5 × 130	29.9	11.1
5,600 (562)	63.5 × 110	30.2	11.2	76 × 90	28.0	10.4	76 × 90	27.2	10.1
6,800 (682)	76 × 90	30.2	11.2	63.5 × 120	31.0	11.5	63.5 × 140	33.2	12.3
8,200 (822)	63.5 × 130	35.3	13.1	76 × 110	29.7	11.0	76 × 110	32.4	12.0
10,000 (103)	76 × 90	32.1	11.9	63.5 × 140	36.1	13.4	76 × 120	36.1	13.4
12,000 (123)	76 × 110	38.0	14.1	76 × 110	35.3	13.1			
	76 × 130	44.2	16.4	76 × 130	41.0	15.2	76 × 150	43.2	16.0
	76 × 150	50.0	19.0	76 × 150	47.2	17.5	89 × 140	48.0	17.8
	89 × 140	50.0	20.6	89 × 120	45.0	16.7	89 × 150	50.0	19.6
	89 × 150	50.0	22.5	89 × 140	50.0	19.3			
				89 × 150	50.0	21.1			

Dimensions(mm)



φD	φA	B	C	β
35	8	4	12.7	1.0
51	10	4	21.8	1.5
63.5	10	4	28.5	1.5
76	10	4	32.0	1.5
89	10	4	32.0	1.5

● Bracket
 BWP
 See BWP series.