

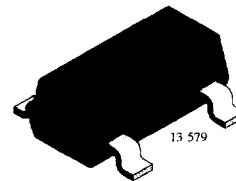
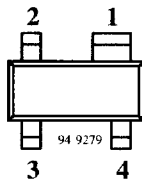
## Silicon NPN Planar RF Transistor

### Applications

RF amplifier up to 2 GHz, especially for mobile telephone.

### Features

- Small feedback capacitance
- Low noise figure
- Very low cross modulation



Marking: FA

Plastic case (SOT 143)

1 = Collector; 2 = Emitter; 3 = Base; 4 = Emitter

### Absolute Maximum Ratings

Parameters	Symbol	Value	Unit
Collector-base voltage	$V_{CB0}$	25	V
Collector-emitter voltage	$V_{CE0}$	16	V
Emitter-base voltage	$V_{EB0}$	2	V
Collector current	$I_C$	30	mA
Total power dissipation $T_{amb} \leq 60^\circ\text{C}$	$P_{tot}$	200	mW
Junction temperature	$T_j$	150	$^\circ\text{C}$
Storage temperature range	$T_{stg}$	-65 to +150	$^\circ\text{C}$

### Maximum Thermal Resistance

Parameters	Symbol	Maximum	Unit
Junction ambient on glass fibre printed board (25 x 20 x 1.5) mm <sup>3</sup> plated with 35 $\mu\text{m}$ Cu	$R_{thJA}$	450	K/W

## Electrical DC Characteristics

$T_{amb} = 25^{\circ}\text{C}$

Parameters / Test Conditions	Symbol	Min.	Typ.	Max.	Unit
Collector-emitter cut-off current $V_{CE} = 25\text{ V}, V_{BE} = 0$	$I_{CES}$			100	$\mu\text{A}$
Collector-base cut-off current $V_{CB} = 20\text{ V}, I_E = 0$	$I_{CBO}$			100	nA
Emitter-base cut-off current $V_{EB} = 2\text{ V}, I_C = 0$	$I_{EBO}$			10	$\mu\text{A}$
Collector-emitter breakdown voltage $I_C = 1\text{ mA}, I_B = 0$	$V_{(BR)CEO}$	16			V
Collector-emitter saturation voltage $I_C = 30\text{ mA}, I_B = 3\text{ mA}$	$V_{CEsat}$		0.2	0.4	V
DC forward current transfer ratio $V_{CE} = 10\text{ V}, I_C = 5\text{ mA}$ $V_{CE} = 10\text{ V}, I_C = 15\text{ mA}$	$h_{FE}$ $h_{FE}$	70 70	100 100	150	

## Electrical AC Characteristics

$T_{amb} = 25^{\circ}\text{C}$

Parameters / Test Conditions	Symbol	Min.	Typ.	Max.	Unit
Transition frequency $V_{CE} = 10\text{ V}, I_C = 5\text{ mA}, f = 500\text{ MHz}$ $V_{CE} = 10\text{ V}, I_C = 15\text{ mA}, f = 500\text{ MHz}$	$f_T$ $f_T$		4.2 5.8		GHz GHz
Collector-base capacitance $V_{CB} = 10\text{ V}, f = 1\text{ MHz}$	$C_{cb}$		0.3		pF
Collector-emitter capacitance $V_{CE} = 10\text{ V}, f = 1\text{ MHz}$	$C_{ce}$		0.2		pF
Emitter-base capacitance $V_{EB} = 0.5\text{ V}, f = 1\text{ MHz}$	$C_{eb}$		1.2		pF
Noise figure $V_{CE} = 10\text{ V}, I_C = 5\text{ mA}, Z_S = 50\ \Omega, f = 800\text{ MHz}$ $V_{CE} = 10\text{ V}, I_C = 10\text{ mA}, Z_S = Z_{Sopt}, f = 3\text{ GHz}$	F F		1.4 2.5		dB dB
Power gain $V_{CE} = 10\text{ V}, Z_S = 50\ \Omega, Z_L = Z_{Lopt}, f = 800\text{ MHz}$ $I_C = 5\text{ mA}$ $I_C = 10\text{ mA}$	$G_{pe}$ $G_{pe}$		15.5 16.5		dB dB
Linear output voltage – two tone intermodulation test $V_{CE} = 10\text{ V}, I_C = 25\text{ mA}, d_{IM} = 60\text{ dB}$ $f_1 = 806\text{ MHz}, f_2 = 810\text{ MHz}, Z_S = Z_L = 50\ \Omega$	$V_1 = V_2$		160		mV
Third order intercept point $V_{CE} = 10\text{ V}, I_C = 25\text{ mA}, f = 800\text{ MHz}$	$IP_3$		27		dBm

**Common Emitter S-Parameter**  
 $Z_0 = 50 \Omega$

$V_{CE}/V$	$I_C/mA$	$f/MHz$	$S_{11}$		$S_{21}$		$S_{12}$		$S_{22}$	
			LIN MAG	ANG	LIN MAG	ANG	LIN MAG	ANG	LIN MAG	ANG
				deg		deg		deg		deg
1	2	100	0.882	-26.99	6.43	158.5	0.040	73.0	0.944	-13.1
		300	0.702	-72.30	5.00	127.5	0.093	50.4	0.763	-29.1
		500	0.579	-104.7	3.81	107.8	0.115	39.3	0.621	-35.6
		800	0.496	-139.4	2.74	88.1	0.130	32.5	0.515	-40.2
		1000	0.474	-156.9	2.31	78.5	0.135	31.3	0.479	-43.0
		1200	0.480	-171.4	2.02	69.6	0.140	31.1	0.451	-46.1
		1500	0.495	170.3	1.70	57.4	0.148	32.9	0.422	-52.1
		1800	0.518	155.6	1.49	47.3	0.158	35.7	0.399	-59.3
		2000	0.541	147.6	1.38	40.8	0.169	37.8	0.388	-64.9
		2200	0.567	138.6	1.29	34.7	0.182	39.6	0.378	-70.8
		2500	0.599	128.1	1.17	26.1	0.207	38.5	0.363	-80.8
		2800	0.633	118.4	1.08	18.2	0.230	39.8	0.359	-93.6
		3000	0.649	113.2	1.03	13.9	0.249	39.0	0.350	-102.5
3	2	100	0.894	-23.2	6.52	160.8	0.027	75.5	0.960	-9.3
		300	0.729	-62.8	5.27	132.3	0.066	55.0	0.832	-21.1
		500	0.590	-93.5	4.16	112.8	0.084	44.3	0.719	-26.1
		800	0.482	-128.6	3.04	93.4	0.097	37.9	0.631	-30.1
		1000	0.445	-146.8	2.58	83.6	0.101	37.2	0.601	-32.7
		1200	0.438	-163.0	2.24	74.9	0.106	37.9	0.580	-35.3
		1500	0.448	176.6	1.90	63.0	0.113	40.7	0.555	-40.1
		1800	0.467	160.8	1.64	53.3	0.123	44.7	0.537	-45.7
		2000	0.489	150.7	1.52	46.9	0.133	47.3	0.529	-50.1
		2200	0.514	141.4	1.43	41.0	0.146	50.0	0.522	-54.5
		2500	0.541	130.2	1.30	32.0	0.168	48.6	0.509	-62.1
		2800	0.577	120.0	1.19	24.5	0.190	51.1	0.508	-71.7
		3000	0.599	114.6	1.13	20.1	0.208	50.6	0.492	-78.2
	5	100	0.758	-35.5	13.77	152.1	0.025	70.5	0.903	-16.0
		300	0.514	-87.7	9.17	118.5	0.051	53.8	0.660	-28.3
		500	0.396	-120.7	6.36	101.2	0.064	51.0	0.540	-29.0
		800	0.336	-154.3	4.30	85.4	0.082	52.5	0.477	-29.0
		1000	0.322	-171.3	3.54	77.4	0.094	53.9	0.460	-30.2
		1200	0.328	175.2	3.03	70.2	0.108	54.4	0.450	-32.4
		1500	0.347	160.0	2.51	60.3	0.129	54.7	0.432	-37.0
1800	0.376	146.7	2.15	51.8	0.150	54.1	0.415	-42.5		
2000	0.394	139.8	1.98	46.0	0.166	53.3	0.407	-46.8		
2200	0.415	132.2	1.85	40.8	0.182	52.3	0.399	-51.1		
2500	0.450	124.1	1.68	32.6	0.206	48.4	0.381	-58.9		
2800	0.484	115.7	1.54	25.4	0.227	47.3	0.371	-68.4		
3000	0.504	111.2	1.46	20.9	0.244	45.5	0.354	-74.9		

## Common Emitter S-Parameter

$Z_0 = 50 \Omega$

$V_{CE}/V$	$I_C/mA$	$f/MHz$	$S_{11}$		$S_{21}$		$S_{12}$		$S_{22}$		
			LIN MAG	ANG deg	LIN MAG	ANG deg	LIN MAG	ANG deg	LIN MAG	ANG deg	
6	2	100	0.899	-21.53	6.49	161.9	0.022	76.2	0.967	-7.6	
		300	0.743	-58.80	5.34	134.2	0.054	56.9	0.865	-17.5	
		500	0.600	-88.40	4.26	114.8	0.069	46.8	0.768	-21.9	
		800	0.480	-122.7	3.14	95.5	0.080	40.5	0.691	-25.6	
		1000	0.434	-141.9	2.67	85.8	0.084	40.3	0.666	-27.9	
		1200	0.424	-159.0	2.33	77.2	0.088	41.4	0.649	-30.3	
		1500	0.424	180.0	1.96	65.4	0.094	45.2	0.650	-35.0	
		1800	0.445	162.6	1.70	55.7	0.103	50.2	0.613	-40.0	
		2000	0.462	152.5	1.57	49.4	0.113	53.4	0.608	-43.8	
		2200	0.488	142.4	1.47	43.6	0.125	56.3	0.603	-47.8	
		2500	0.519	131.1	1.34	34.9	0.147	55.2	0.594	-54.5	
		2800	0.553	120.5	1.23	26.9	0.167	58.1	0.596	-62.8	
	3000	0.572	114.7	1.16	22.8	0.185	57.7	0.581	-68.5		
		5	100	0.773	-32.2	13.83	153.5	0.020	72.6	0.920	-12.8
			300	0.527	-80.7	9.50	120.6	0.042	55.5	0.718	-22.7
			500	0.388	-112.7	6.68	102.9	0.054	53.2	0.614	-23.5
			800	0.312	-147.3	4.50	86.9	0.069	54.9	0.560	-24.1
			1000	0.291	-166.0	3.71	79.1	0.079	56.5	0.547	-25.7
			1200	0.297	179.2	3.18	72.0	0.091	57.4	0.538	-27.6
			1500	0.311	162.6	2.62	62.2	0.109	58.2	0.524	-32.1
			1800	0.334	148.1	2.24	53.9	0.127	58.4	0.511	-37.1
			2000	0.356	140.9	2.07	48.4	0.142	58.0	0.505	-40.8
			2200	0.379	133.1	1.92	43.2	0.156	57.4	0.500	-44.7
			2500	0.414	124.1	1.75	34.9	0.179	53.9	0.486	-51.3
			2800	0.448	115.6	1.60	27.7	0.197	53.6	0.480	-59.4
		3000	0.467	111.7	1.52	23.8	0.214	51.8	0.464	-64.8	
		10	100	0.610	-46.2	21.97	144.1	0.017	68.7	0.851	-18.0
			300	0.357	-103.2	12.24	110.2	0.034	60.4	0.599	-23.9
			500	0.271	-135.9	7.99	95.4	0.047	62.4	0.522	-21.6
			800	0.239	-169.4	5.21	82.3	0.068	64.4	0.494	-21.0
	1000		0.236	173.8	4.26	75.5	0.082	64.8	0.490	-22.7	
	1200		0.243	162.9	3.60	69.3	0.097	64.5	0.486	-24.7	
	1500		0.265	149.9	2.96	60.5	0.119	62.9	0.474	-29.6	
	1800		0.287	138.6	2.51	53.0	0.140	60.9	0.461	-34.8	
	2000		0.306	133.6	2.32	47.7	0.156	59.2	0.455	-38.6	
	2200		0.329	126.8	2.15	42.9	0.171	57.8	0.449	-42.6	
	2500		0.368	119.2	1.96	35.2	0.194	53.3	0.430	-49.3	
	2800		0.403	112.7	1.79	28.3	0.214	51.8	0.421	-57.5	
	3000	0.418	109.4	1.69	24.2	0.229	49.7	0.404	-62.7		

## Common Emitter S-Parameter

$Z_0 = 50 \Omega$

$V_{CE}/V$	$I_C/mA$	$f/MHz$	$S_{11}$		$S_{21}$		$S_{12}$		$S_{22}$		
			LIN MAG	ANG	LIN MAG	ANG	LIN MAG	ANG	LIN MAG	ANG	
				deg		deg		deg		deg	
6	20	100	0.431	-64.8	29.52	134.0	0.014	67.9	0.761	-21.8	
		300	0.258	-129.4	13.70	102.6	0.030	67.6	0.524	-21.2	
		500	0.223	-159.9	8.61	90.4	0.045	69.6	0.479	-17.7	
		800	0.217	172.5	5.52	79.0	0.068	70.3	0.467	-17.7	
		1000	0.222	159.4	4.48	72.8	0.083	69.3	0.468	-19.9	
		1200	0.230	151.1	3.78	67.2	0.099	68.0	0.466	-22.2	
		1500	0.253	141.6	3.10	59.1	0.122	65.2	0.457	-27.4	
		1800	0.276	132.6	2.64	51.8	0.145	62.6	0.445	-32.8	
		2000	0.294	128.4	2.42	46.7	0.161	60.5	0.438	-36.8	
		2200	0.319	122.8	2.25	42.3	0.177	58.6	0.431	-40.8	
		2500	0.356	116.2	2.04	34.8	0.199	53.9	0.412	-47.6	
		2800	0.386	110.2	1.86	27.9	0.219	51.8	0.402	-55.7	
3000	0.408	107.5	1.77	23.9	0.235	49.4	0.383	-61.0			
10	2	100	0.905	-20.86	6.45	162.4	0.019	76.9	0.971	-6.7	
		300	0.751	-57.1	5.35	135.1	0.047	58.1	0.882	-15.4	
		500	0.605	-85.8	4.29	116.0	0.061	47.9	0.795	-19.4	
		800	0.476	-120.2	3.19	96.4	0.070	42.0	0.729	-23.1	
		1000	0.432	-138.8	2.70	86.7	0.074	42.1	0.705	-25.2	
		1200	0.410	-156.8	2.35	78.0	0.077	43.8	0.691	-27.6	
		1500	0.411	-178.0	1.99	66.4	0.083	48.3	0.674	-32.1	
		1800	0.430	163.7	1.72	56.9	0.091	54.0	0.661	-37.0	
		2000	0.445	153.8	1.59	50.5	0.101	57.5	0.657	-40.4	
		2200	0.477	143.9	1.48	44.6	0.112	60.7	0.656	-44.1	
		2500	0.502	131.3	1.34	35.9	0.133	59.4	0.648	-50.4	
		2800	0.539	120.8	1.23	28.1	0.152	62.9	0.651	-57.9	
	3000	0.558	115.3	1.16	24.0	0.170	62.6	0.637	-63.3		
	5	5	100	0.789	-30.8	13.74	154.2	0.017	73.5	0.932	-11.0
			300	0.540	-77.6	9.54	121.5	0.037	56.4	0.754	-19.6
			500	0.392	-108.4	6.74	103.7	0.047	53.8	0.662	-20.4
			800	0.305	-143.1	4.57	87.7	0.060	56.1	0.615	-21.4
			1000	0.281	-162.3	3.76	79.9	0.070	57.9	0.604	-23.0
			1200	0.279	-178.1	3.21	72.7	0.080	59.4	0.596	-25.1
			1500	0.293	164.4	2.66	63.0	0.096	60.6	0.585	-29.3
			1800	0.316	148.8	2.27	54.8	0.113	61.1	0.574	-34.1
			2000	0.335	141.7	2.09	49.3	0.126	61.3	0.571	-37.6
			2200	0.364	134.1	1.95	44.4	0.139	61.1	0.567	-41.3
			2500	0.396	124.7	1.77	36.2	0.160	57.5	0.555	-47.5
2800			0.431	115.9	1.61	28.7	0.178	57.9	0.553	-54.8	
3000	0.452	111.5	1.53	24.8	0.194	56.4	0.538	-59.7			

## Common Emitter S-Parameter

$Z_0 = 50 \Omega$

$V_{CE}/V$	$I_C/mA$	$f/MHz$	$S_{11}$		$S_{21}$		$S_{12}$		$S_{22}$	
			LIN MAG	ANG	LIN MAG	ANG	LIN MAG	ANG	LIN MAG	ANG
				deg		deg		deg		deg
10	10	100	0.640	-43.3	21.78	145.1	0.015	70.2	0.869	-15.3
		300	0.368	-97.7	12.37	111.1	0.030	60.9	0.651	-20.1
		500	0.265	-130.1	8.09	96.1	0.042	62.8	0.582	-18.2
		800	0.226	-164.9	5.28	82.7	0.060	65.2	0.558	-18.7
		1000	0.216	178.2	4.30	76.0	0.072	65.9	0.554	-20.6
		1200	0.224	165.2	3.65	69.8	0.085	65.9	0.551	-22.8
		1500	0.245	150.4	2.99	61.2	0.105	64.8	0.542	-27.2
		1800	0.269	138.6	2.55	53.4	0.124	63.6	0.532	-32.3
		2000	0.290	133.1	2.34	48.5	0.139	62.4	0.528	-36.0
		2200	0.309	125.6	2.17	43.7	0.152	61.3	0.523	-39.4
		2500	0.349	119.9	1.97	36.2	0.174	56.8	0.508	-45.8
		2800	0.383	112.9	1.80	29.2	0.191	56.0	0.504	-53.1
	3000	0.404	109.2	1.71	25.4	0.206	54.0	0.487	-57.9	
	20	100	0.476	-60.3	29.33	135.0	0.013	68.9	0.793	-18.3
		300	0.262	-120.8	13.84	103.3	0.026	66.8	0.586	-17.8
		500	0.210	-153.3	8.70	90.9	0.040	69.6	0.547	-15.2
		800	0.200	176.6	5.58	79.4	0.060	70.9	0.538	-16.0
		1000	0.204	162.2	4.53	73.3	0.073	70.4	0.538	-18.3
		1200	0.213	151.6	3.82	67.7	0.087	69.2	0.537	-20.8
		1500	0.235	142.5	3.13	59.7	0.108	67.3	0.529	-25.5
		1800	0.258	132.5	2.67	52.4	0.128	65.1	0.519	-30.8
		2000	0.273	128.1	2.43	47.7	0.143	63.4	0.513	-34.4
		2200	0.302	122.4	2.26	43.1	0.157	62.0	0.511	-38.0
		2500	0.337	116.2	2.05	35.5	0.179	57.5	0.496	-44.4
2800		0.368	110.7	1.87	28.7	0.196	56.1	0.488	-51.7	
3000	0.390	107.3	1.77	25.1	0.211	54.0	0.471	-56.5		

**Typical Characteristics** ( $T_j = 25^\circ\text{C}$  unless otherwise specified)

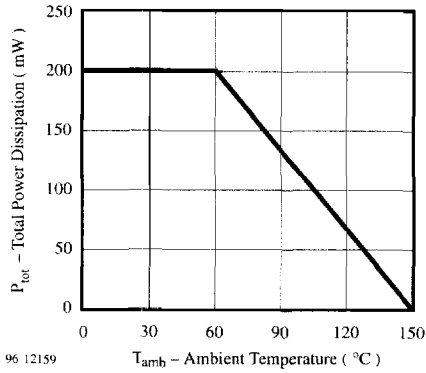


Figure 1. Total Power Dissipation vs. Ambient Temperature

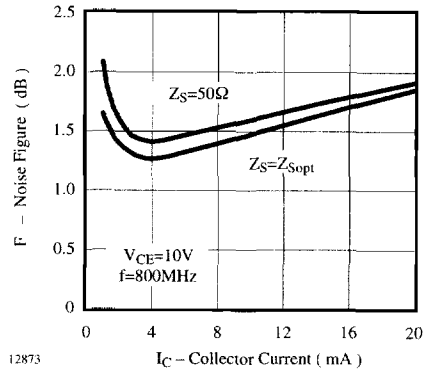


Figure 4. Noise Figure vs. Collector Current

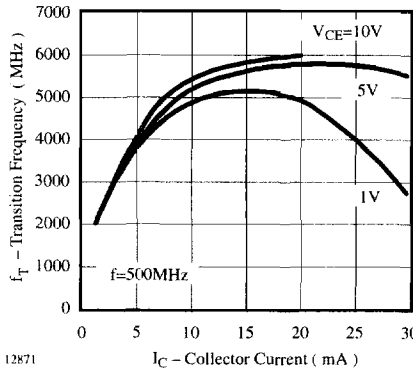


Figure 2. Transition Frequency vs. Collector Current

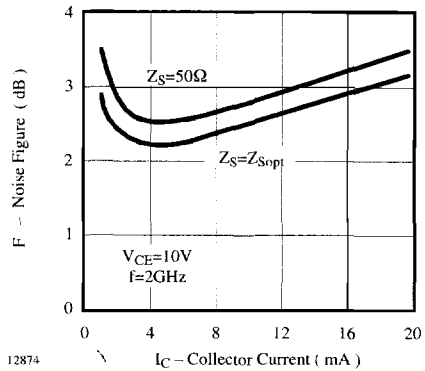


Figure 5. Noise Figure vs. Collector Current

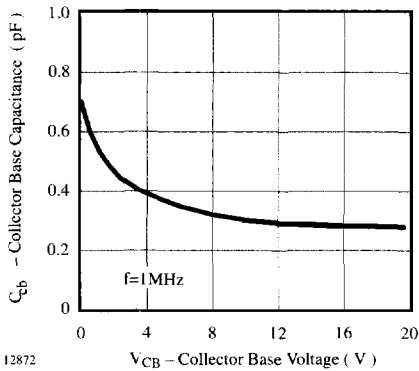


Figure 3. Collector Base Capacitance vs. Collector Base Voltage

$V_{CE} = 10 \text{ V}; I_C = 10 \text{ mA}; Z_0 = 50 \Omega$

$S_{11}$

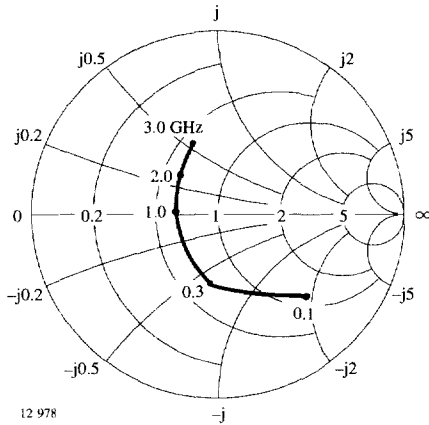


Figure 6. Input reflection coefficient

$S_{12}$

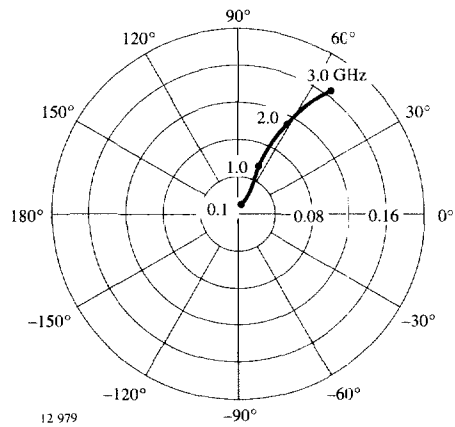


Figure 8. Reverse transmission coefficient

$S_{21}$

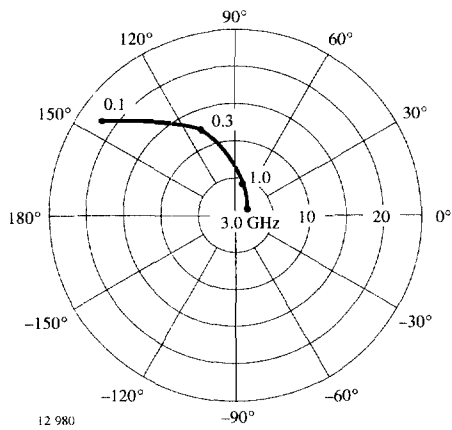


Figure 7. Forward transmission coefficient

$S_{22}$

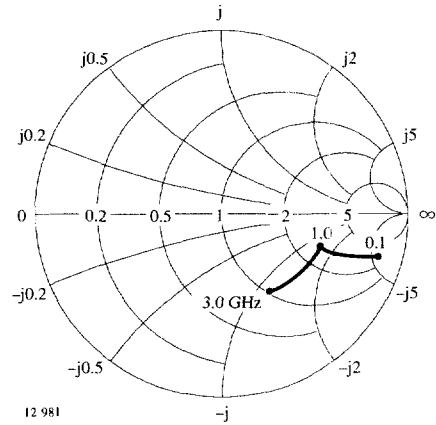
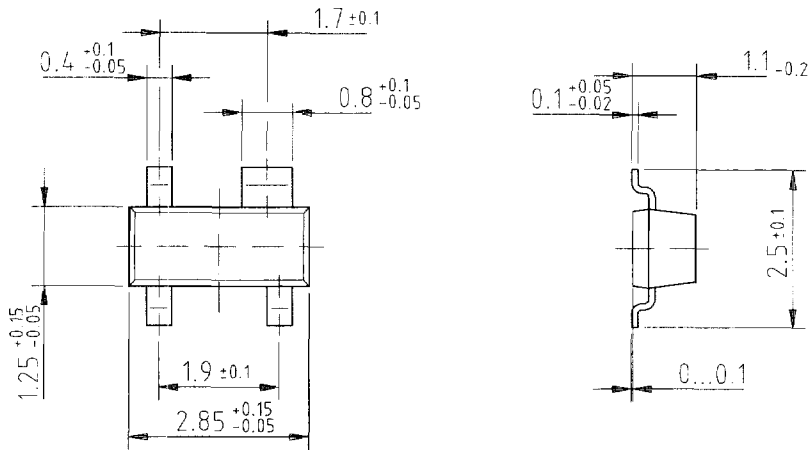


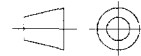
Figure 9. Output reflection coefficient



**Dimensions in mm**



96 12240



technical drawings  
according to DIN  
specifications

