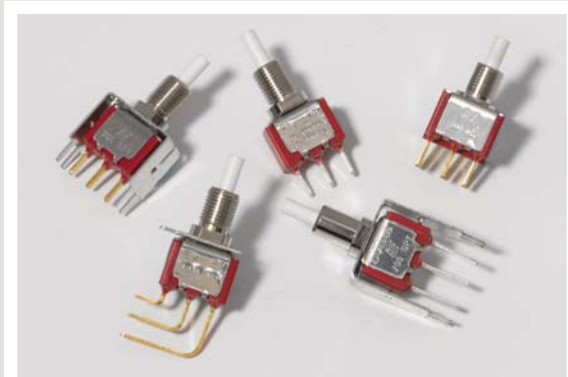




# SERIES 700C SWITCHES

## PUSHBUTTON SWITCHES - LATCHING



### SPECIFICATIONS

Contact Rating:	Gold, 0.4 VA Max @ 20V (AC or DC) Max Silver, 3A @ 120 VAC or 28 VDC, 1A @ 250 VAC
Life Expectancy:	50,000 cycles
Contact Resistance:	20mΩ
Insulation Resistance:	1000MΩ
Dielectric Strength:	1000V RMS
Actuation Force:	SP7, 400 ±150 grams DP7, 600 ±150 grams
Operating Temperature:	-30°C to 85°C
Travel:	3.0 mm

### FEATURES & BENEFITS

- ▶ Snap acting contact design
- ▶ Gold & silver contact options
- ▶ Multiple termination options
- ▶ Snap-in panel mount option
- ▶ Alternative action design

### APPLICATIONS/MARKETS

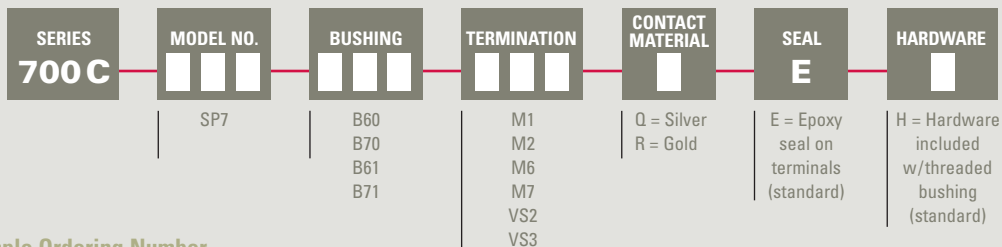
- ▶ Telecommunications
- ▶ Networking
- ▶ Computers/servers
- ▶ Performance audio
- ▶ Instrumentation
- ▶ Low power on/off designs
- ▶ External hard drives and modems

### MATERIALS

Case:	DAP, UL94V0
Actuator:	Nylon, UL94V0
Frame:	Stainless steel
Contacts:	Brass, silver or gold plated
Terminals:	Silver or gold plated copper alloy



### HOW TO ORDER

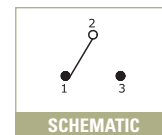
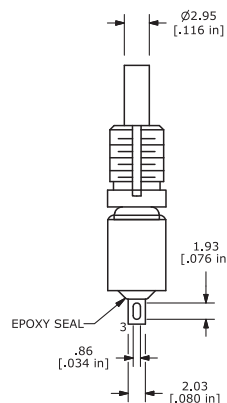
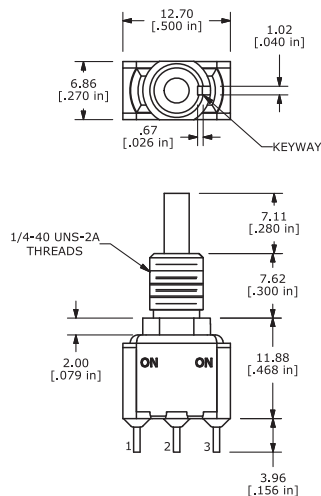


**Example Ordering Number**  
700C-SP7-B60-M1-Q-E-H

Specifications subject to change without notice.

## M1

### SOLDER





# SERIES 700C SWITCHES

## PUSHBUTTON SWITCHES - LATCHING

TACT SWITCHES

NAVIGATION SWITCHES

PUSHBUTTON SWITCHES

TOGGLE SWITCHES

ROCKER SWITCHES

SLIDE SWITCHES

SNAP-ACTION SWITCHES

DIP SWITCHES

KEYLOCK SWITCHES

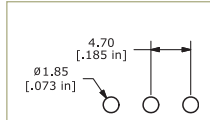
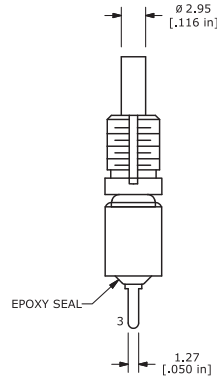
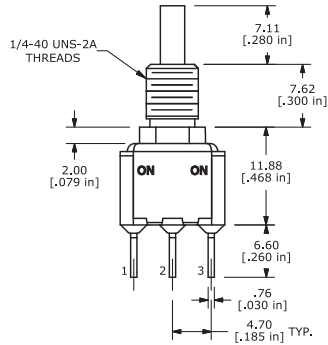
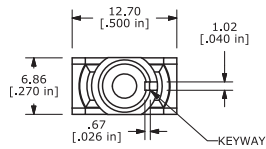
ROTARY SWITCHES

DETECTOR SWITCHES

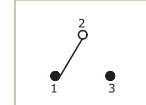
CAP OPTIONS

### M2

PC



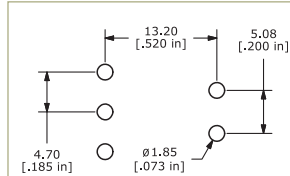
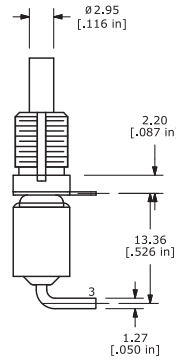
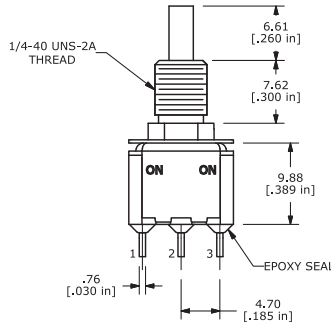
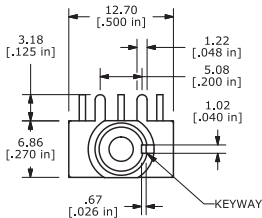
P.C. MOUNTING



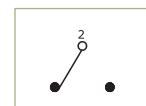
SCHEMATIC

### M6

RIGHT ANGLE



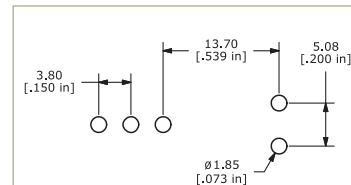
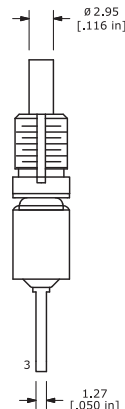
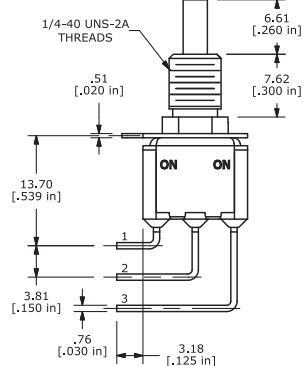
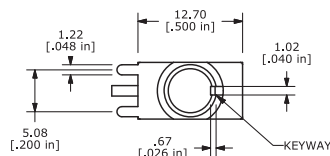
P.C. MOUNTING



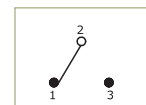
SCHEMATIC

### M7

VERTICAL RIGHT ANGLE



P.C. MOUNTING

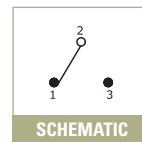
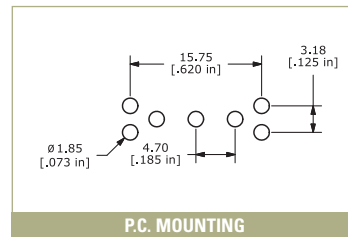
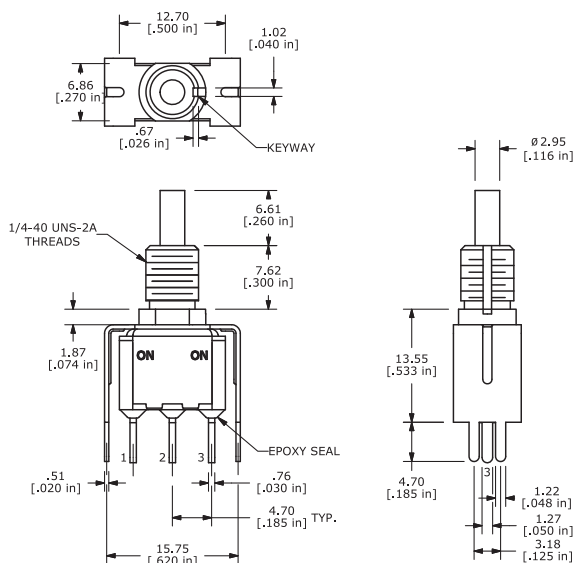


SCHEMATIC



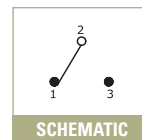
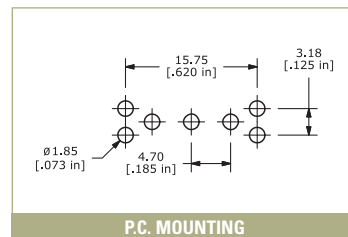
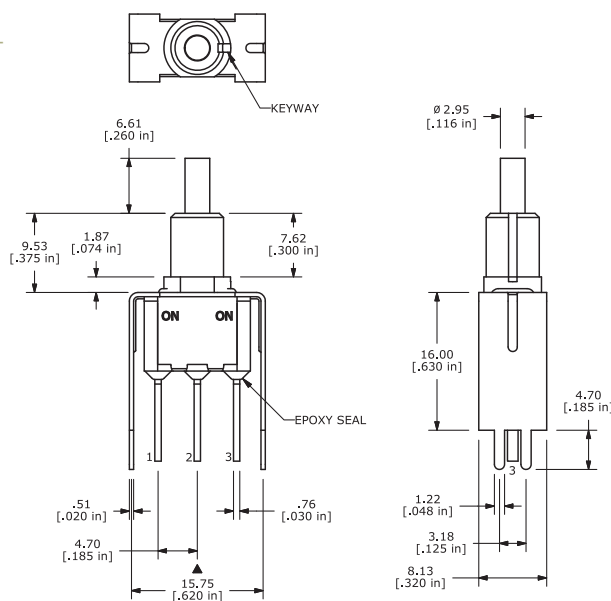
### VS2

#### 460 SUPPORT BRACKET



### VS3

#### 630 SUPPORT BRACKET



### BUSHING OPTIONS

