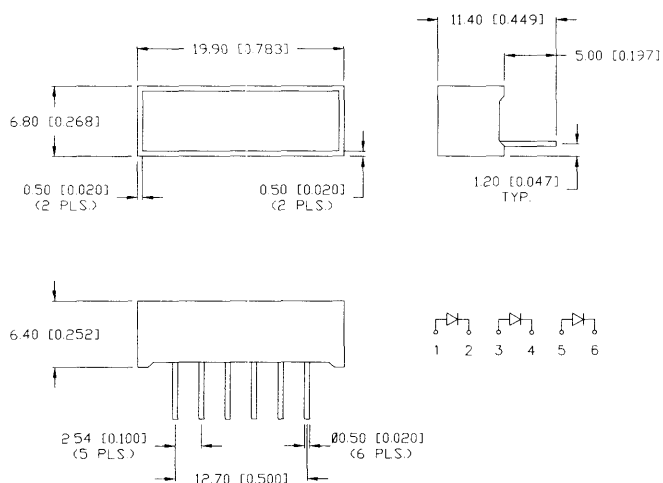


SSB-LX620xx Series

6x20mm, 3-Chip Light Bars



FEATURES / OPTIONS

- State-of-the-Art, High Intensity Chip Technology
- Pre-Sorted Chips for Color & Industry Uniformity
- High Light Reflectivity/Low Cross-Talk Reflectors
- Advanced Chip on Board Technology
- Choice of Colors and Color Combinations
- Custom Designs, Easily Developed, Low Minimum

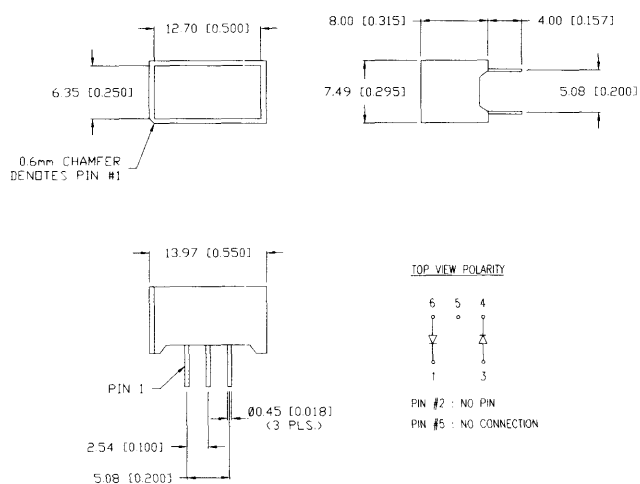
APPLICATIONS / USES

- Backlighting Legends or Switches
- Large PCB Installed Indicators
- Keyboard Status Indicators
- Medical Diagnostics Equipment
- Industrial Automation Controls
- Control Panel Indicators

Lumex Part Number	Dice Material	Emitted Color	Peak (nm)	Epoxy Lens	Vf @ 20mA		Brightness		View Angle° 2x THETA
					TYP.	Max.	TYP. mcd	@ mA	
SSB-LX620SID	AllnGaP	Super High Intensity Red	636	Red Diffused	2.0	2.6	80	20	160
SSB-LX620SIW	AllnGaP	Super High Intensity Red	636	White Diffused	2.0	2.6	80	20	160
SSB-LX620SOD	AllnGaP	Super Orange	610	Orange Diffused	2.0	2.6	75	20	160
SSB-LX620SOW	AllnGaP	Super Orange	610	White Diffused	2.0	2.6	75	20	160
SSB-LX620SPGD	AllnGaP	Super Pure Green	562	Green Diffused	2.2	2.6	65	20	160
SSB-LX620SPGW	AllnGaP	Super Pure Green	562	White Diffused	2.2	2.6	65	20	160
SSB-LX620SYD	AllnGaP	Super Yellow	590	Yellow Diffused	2.0	2.6	80	20	160
SSB-LX620SYW	AllnGaP	Super Yellow	590	White Diffused	2.0	2.6	80	20	160

SSB-LX500 SERIES

7x14mm (2) Chip Light Bars



FEATURES / OPTIONS

- State-of-the-Art, High Intensity Chip Technology
- Pre-Sorted Chips for Color & Industry Uniformity
- High Light Reflectivity/Low Cross-Talk Reflectors
- Advanced Chip on Board Technology
- Choice of Colors and Color Combinations
- Custom Designs, Easily Developed, Low Minimum

APPLICATIONS / USES

- Backlighting Legends or Switches
- Large PCB Installed Indicators
- Keyboard Status Indicators
- Medical Diagnostics Equipment
- Industrial Automation Controls
- Control Panel Indicators

Lumex Part Number	Dice Material	Emitted Color	Peak (nm)	Epoxy Lens	Vf @ 20mA		Brightness		View Angle° 2x THETA
					TYP.	Max.	TYP. mcd	@ mA	
SSB-LX500SID	AllnGaP	Super High Intensity Red	636	Red Diffused	2.0	2.6	80	20	160
SSB-LX500SIW	AllnGaP	Super High Intensity Red	636	White Diffused	2.0	2.6	80	20	160
SSB-LX500SOD	AllnGaP	Super Orange	610	Orange Diffused	2.0	2.6	75	20	160
SSB-LX500SOW	AllnGaP	Super Orange	610	White Diffused	2.0	2.6	75	20	160
SSB-LX500SPGD	AllnGaP	Super Pure Green	562	Green Diffused	2.2	2.6	60	20	160
SSB-LX500SPGW	AllnGaP	Super Pure Green	562	White Diffused	2.2	2.6	60	20	160
SSB-LX500SYD	AllnGaP	Super Yellow	590	Yellow Diffused	2.0	2.6	80	20	160
SSB-LX500SYW	AllnGaP	Super Yellow	590	White Diffused	2.0	2.6	80	20	160

ARRAYS



1-800-278-5666 USA
+886-3-5821124 Asian Pacific



www.lumex.com
www.lumex.com.tw



1-800-944-2790 USA
+886-3-5821154 Asian Pacific