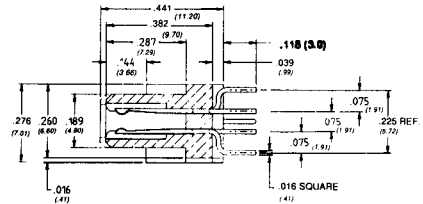
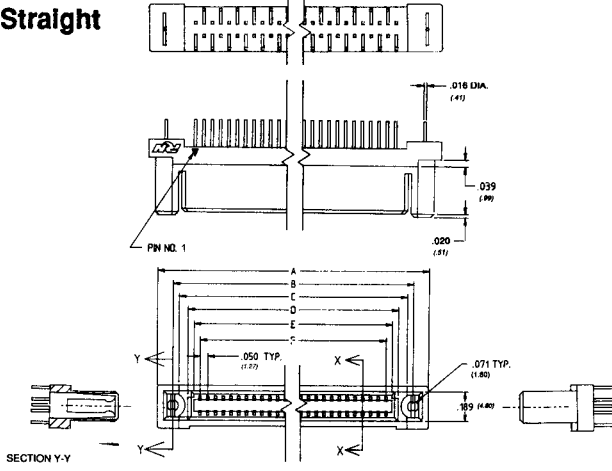


SOCKETS

P50-XXXSG-XX-TGF

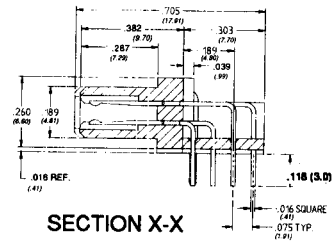
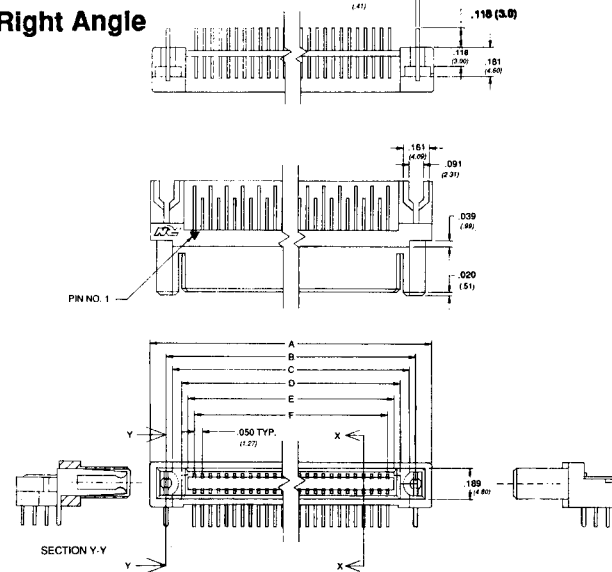
Straight



SECTION X-X

No. of Contacts	A	B	C	D	E	F
20	1.001 (25.43)	0.800 (20.32)	0.722 (18.33)	0.607 (15.42)	0.529 (13.44)	0.450 (11.43)
30	1.251 (31.78)	1.050 (26.67)	0.972 (24.69)	0.857 (21.77)	0.779 (19.79)	0.700 (17.78)
40	1.501 (38.13)	1.300 (33.02)	1.222 (31.04)	1.107 (28.12)	1.029 (26.14)	0.950 (24.13)
50	1.751 (44.48)	1.550 (39.37)	1.472 (37.39)	1.357 (34.47)	1.279 (32.49)	1.200 (30.48)
60	2.001 (50.83)	1.800 (45.72)	1.722 (43.74)	1.607 (40.82)	1.529 (38.84)	1.450 (36.83)
68	2.201 (55.91)	2.000 (50.80)	1.922 (48.82)	1.807 (45.40)	1.729 (43.92)	1.650 (41.91)
80	2.501 (63.53)	2.300 (58.42)	2.222 (56.44)	2.107 (53.52)	2.029 (51.54)	1.950 (49.53)
100	3.001 (76.22)	2.800 (71.12)	2.722 (69.14)	2.607 (66.22)	2.529 (64.24)	2.450 (62.23)

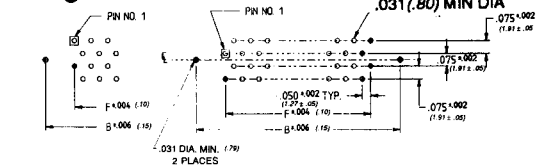
Right Angle



SECTION X-X

Printed Circuit Board Layout

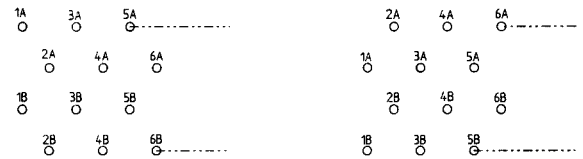
Straight



30, 50 PIN Right Angle 20, 40, 60, 68, 80, 100 PIN

No. of Contacts	B	F
20	0.800 (20.32)	0.450 (11.43)
30	1.050 (26.67)	0.700 (17.78)
40	1.300 (33.02)	0.950 (24.13)
50	1.550 (39.37)	1.200 (30.48)
60	1.800 (45.72)	1.450 (36.83)
68	2.000 (50.80)	1.650 (41.91)
80	2.300 (58.42)	1.950 (49.53)
100	2.800 (71.12)	2.450 (62.23)

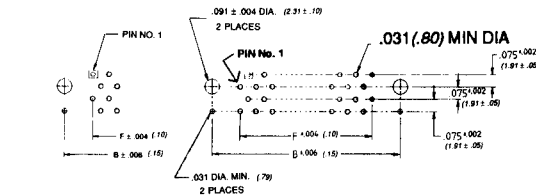
Pin Out Identification



30, 50 PIN

20, 40, 60, 68, 80, 100 PIN

Right Angle



30, 50 PIN 20, 40, 60, 68, 80, 100 PIN