

**MQR Series — Microminiature Circular Connectors**



MQR stands for MICRODOT Quick Release. This line of circular quick disconnect connectors has metal shells with push-pull couplings which provide a positive connection for rugged environmental use. The MQR series is specified for cable-to-cable and cable-to-panel applications.

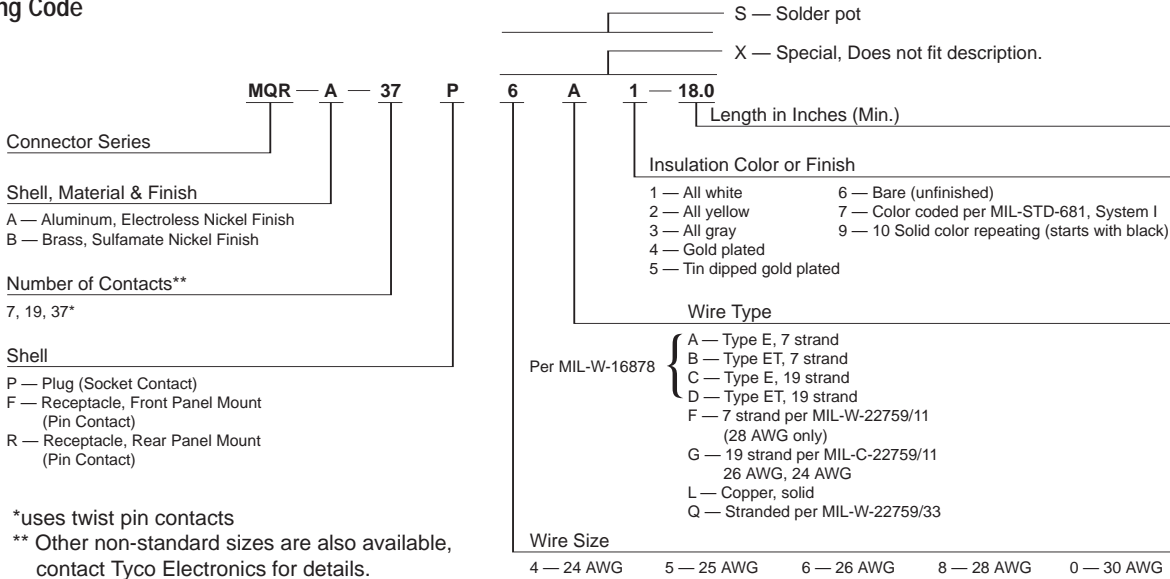
The plug connector side contains socket contacts. The receptacle connector side contains pin contacts. Because the pin contact is

“active” or “live”, the pins require the physical protection that the receptacle side offers. (Similar to a “protected” or “shrouded” header.)

While there is no optional hardware for the MQR series, the receptacles incorporate a standard jam nut to tighten the connector down to the board or panel.

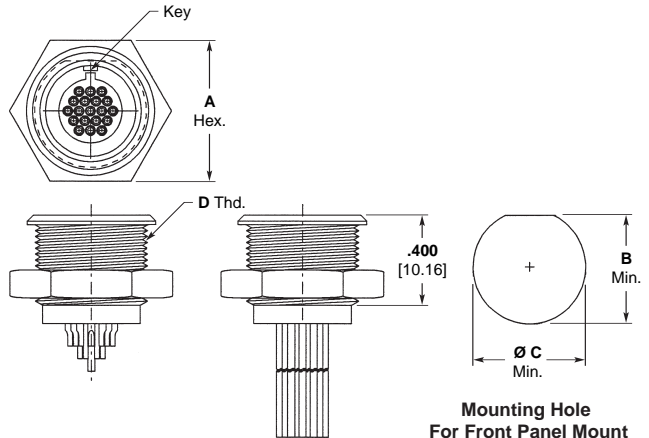
MQR connectors are manufactured to the performance specifications of MIL-DTL-83513.

**How to Specify/ Ordering Code**



**Front Panel Mount (MQR Receptacle)**

Size	Dimensions			
	A (Hex)	B (Min.)	Ø C (Min.)	D Thd.
7	.500 12.7	.361 9.17	.376 9.55	3/8-32 UNEF-2A
19	.625 15.88	.477 12.16	.501 12.73	1/2-28 UNEF-2A
37	.812 20.62	.722 18.39	.751 19.07	3/4-20 UNEF-2A

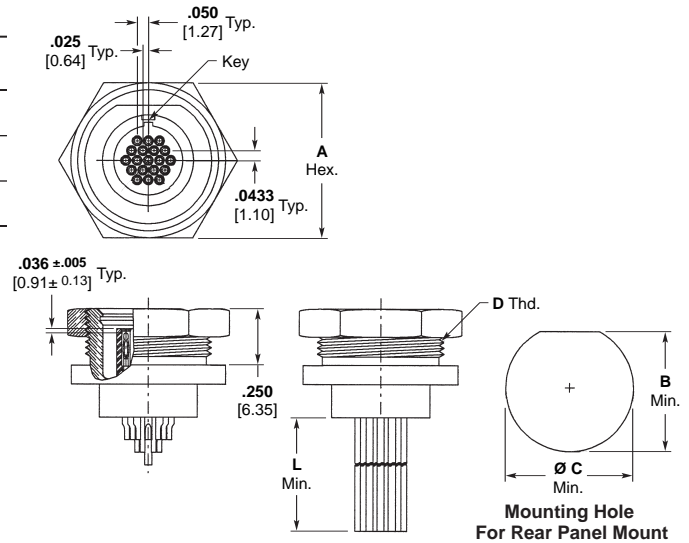


Front Panel Mount (19 Position Shown)

**MQR Series — Microminiature Circular Connectors (Continued)**

**Rear Panel Mount (MQR Receptacle)**

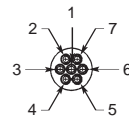
Size	Dimensions			
	A (Hex)	B (Min.)	Ø C (Min.)	D Thd.
7	.500 12.7	.422 10.72	.440 11.18	7/16-28 UNEF-2A
19	.687 17.45	.531 13.49	.564 14.33	9/16-24 UNEF-2A
37	.812 20.62	.722 18.39	.751 19.07	3/4-20 UNEF-2A



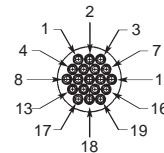
Rear Panel Mount (19 Position Shown)

**Circular MQR Series Quick Release Receptacle**

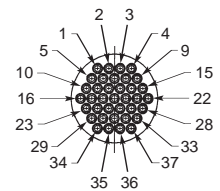
**7 Position (Stamped Pin)**



**19 Position (Stamped Pin)**



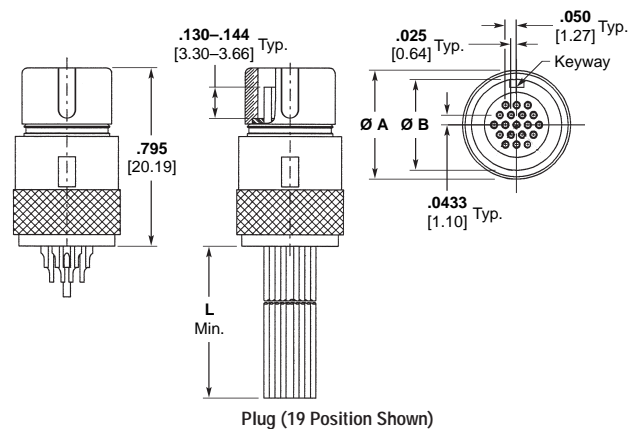
**37 Position (Twist Pin)**



**Circular MQR Series Quick Release Plug**

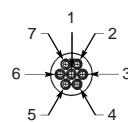
**MQR Plug**

Size	Dimensions	
	Ø A	Ø B
7	.375 9.53	.300 7.62
19	.475 12.07	.400 10.16
37	.750 19.05	.630 16.00

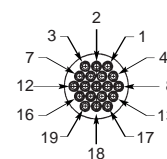


Plug (19 Position Shown)

**7 Position**



**19 Position**



**37 Position**

