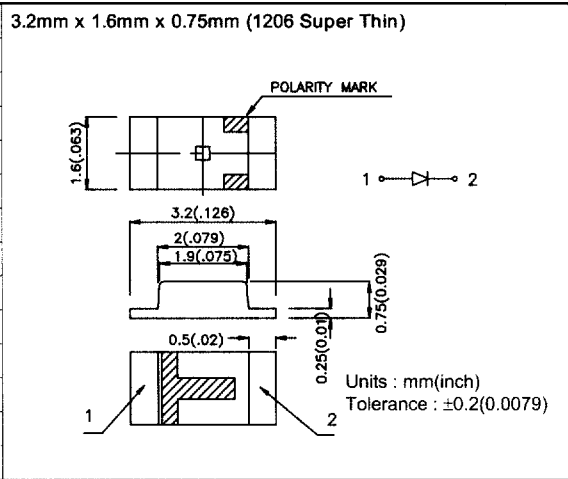
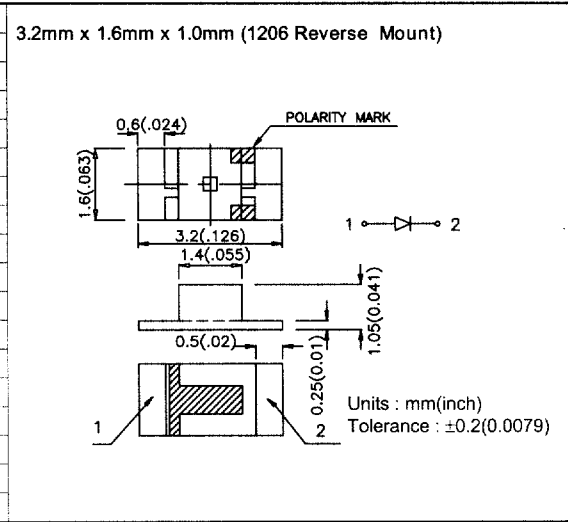


Part No.	Emitting Color + Material	$\lambda$ D (nm)	Lens Type	Iv (mcd) @20mA		Viewing Angle	Dimension
				Min.	Typ.		

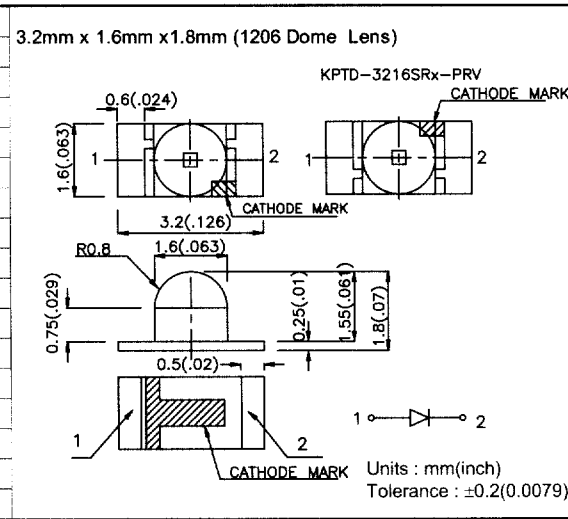
KPT-3216EC	GaAsP/GaP	625	water clear	5	12	120°
KPT-3216SGC	GaP	568	water clear	3	12	120°
KPT-3216YC	GaAsP/GaP	588	water clear	1.6	8	120°
KPT-3216SRC-PRV	GaAlAs	640	water clear	20	70	120°
KPT-3216SURC	InGaAlP	628	water clear	70	180	120°
KPT-3216SURCK	InGaAlP	630	water clear	50	150	120°
KPT-3216SEC	InGaAlP	601	water clear	40	200	120°
KPT-3216SECK	InGaAlP	601	water clear	40	160	120°
KPT-3216MGC	InGaAlP	568	water clear	20	50	120°
KPT-3216SYC	InGaAlP	588	water clear	40	80	120°
KPT-3216SYCK	InGaAlP	590	water clear	30	50	120°
KPT-3216MBC	GaN	455	water clear	2	8	120°
KPT-3216MBCK	GaN	455	water clear	2.6	6	120°
KPT-3216PBC	InGaN	465	water clear	20	45	120°



KPTR-3216EC	GaAsP/GaP	625	water clear	5	12	120°
KPTR-3216NW	GaAsP/GaP	610	white diffused	5	12	120°
KPTR-3216SGC	GaP	568	water clear	3	12	120°
KPTR-3216SGW	GaP	568	white diffused	3	12	120°
KPTR-3216QGW	GaP	565	white diffused	3	12	120°
KPTR-3216PGW	GaP	555	white diffused	2	5	120°
KPTR-3216YC	GaAsP/GaP	588	water clear	1.6	8	120°
KPTR-3216PYW	GaAsP/GaP	585	white diffused	3	8	120°
KPTR-3216SRC-PRV	GaAlAs	640	water clear	20	70	120°
KPTR-3216SURC	InGaAlP	628	water clear	70	180	120°
KPTR-3216SURCK	InGaAlP	630	water clear	50	150	120°
KPTR-3216SEC	InGaAlP	601	water clear	40	200	120°
KPTR-3216SECK	InGaAlP	601	water clear	40	160	120°
KPTR-3216SYC	InGaAlP	588	water clear	40	80	120°
KPTR-3216SYCK	InGaAlP	590	water clear	30	50	120°
KPTR-3216MBC	GaN	455	water clear	2	8	120°
KPTR-3216MBCK	GaN	455	water clear	2.6	5	120°
KPTR-3216PBC	InGaN	465	water clear	20	45	120°



KPTD-3216EC	GaAsP/GaP	625	water clear	10	50	40°
KPTD-3216NC	GaAsP/GaP	610	water clear	8	20	40°
KPTD-3216SGC	GaP	568	water clear	5	20	40°
KPTD-3216QGC	GaP	565	water clear	5	30	40°
KPTD-3216PGC	GaP	555	water clear	2	5	40°
KPTD-3216YC	GaAsP/GaP	588	water clear	3	30	40°
KPTD-3216PYC	GaAsP/GaP	585	water clear	5	20	40°
KPTD-3216SRC-PRV	GaAlAs	640	water clear	100	300	50°
KPTD-3216SURC	InGaAlP	628	water clear	300	600	50°
KPTD-3216SURCK	InGaAlP	630	water clear	200	500	50°
KPTD-3216SEC	InGaAlP	601	water clear	400	1200	50°
KPTD-3216SECK	InGaAlP	601	water clear	300	700	50°
KPTD-3216SYC	InGaAlP	588	water clear	100	300	50°
KPTD-3216SYCK	InGaAlP	590	water clear	80	250	50°
KPTD-3216MBC	GaN	455	water clear	10	40	40°
KPTD-3216MBCK	GaN	455	water clear	18	40	40°
KPTD-3216PBC	InGaN	465	water clear	50	200	50°



**NOTE :**  
1. KP series custom-made is available upon request.